

RESTRICTED

AN 01-15EAA-4

PARTS CATALOG

USAF SERIES

YB-35, YB-35A, AND YB-49

AIRCRAFT

PUBLISHED UNDER AUTHORITY OF THE SECRETARY OF THE AIR FORCE
AND THE CHIEF OF THE BUREAU OF AERONAUTICS

NOTICE: This document contains information affecting the national defense of the United States within the meaning of the Espionage Act, 50 U.S.C. 31 and 32 as amended. Its transmission or the revelation of its contents in any manner to an unauthorized person is prohibited by law.

RESTRICTED

10 AUGUST 1948

Reproduction of the information or illustrations contained in this publication is not permitted without specific approval of the issuing service. The policy for use of Classified Publications is established for the Air Force in AR 380-5 and for the Navy in Navy Regulations, Article 76.

LIST OF REVISED PAGES ISSUED

INSERT LATEST REVISED PAGES. DESTROY SUPERSEDED PAGES.

NOTE: The portion of the text affected by the current revision is indicated by a vertical line in the outer margins of the page.

* The asterisk indicates pages revised, added or deleted by the current revision.

ADDITIONAL COPIES OF THIS PUBLICATION MAY BE OBTAINED AS FOLLOWS:

USAF

USAF ACTIVITIES.—In accordance with Technical Order No. 00-5-2.

NAVY ACTIVITIES.—Submit request to nearest supply point listed below, using form NavAer-140: NAS, Alameda, Calif.; ASD, Orote, Guam; NAS, Jacksonville, Fla.; NAS, Norfolk, Va.; NASD, Oahu; NASD, Philadelphia, Pa.; NAS, San Diego, Calif.; NAS, Seattle, Wash.

For listing of available material and details of distribution see Naval Aeronautics Publications Index NavAer 00-500.

TABLE OF CONTENTS

	<i>Page No.</i>		<i>Page No.</i>
SECTION I—INTRODUCTION	1	SECTION II—GROUP ASSEMBLY PARTS LIST (Cont.)	
Three View—YB-35.....	2	Body Group	
Three View—YB-49.....	3	Complete Crew Nacelle.....	96
How to Use the Parts Catalog.....	4	Crew Nacelle Nose Section.....	98
Usage Code.....	6	Crew Nacelle Nose Section Hydraulics.....	100
Alphabetical List of Vendors.....	7	Steering and Brake Reservoir.....	103
Station Diagrams.....	10	Nose Gear and Brake Magnetic and Relief Valves..	104
 SECTION II—GROUP ASSEMBLY PARTS LIST		Crew Nacelle Nose Section Electrical.....	106
General Assembly.....	12	Engineer's Electrical Panel.....	108
Outer Wing Group		Pilot's Electrical.....	111
Outer Wing Installation.....	14	Bombardier's Electrical.....	112
Outer Wing Leading Edge.....	15	Pilot's Electrical Pedestal.....	114
Outer Wing Center Section.....	16	Crew Nacelle Nose Section Armament Electrical....	116
Outer Wing Trailing Edge.....	18	Crew Nacelle Nose Section Oxygen Equipment.....	117
Wing Tip Installation.....	20	Forward Cabin Heating and Ventilating Duct.....	118
Outer Wing Instruments.....	20	Emergency Astradome External Release.....	120
Outer Wing Electrical.....	21	Crew Nacelle Center Section.....	121
Outer Wing Fire Extinguisher System.....	23	Cross Feed Fuel Line.....	123
Outer Wing Oxygen Equipment.....	24	Crew Nacelle Center Section Electrical.....	124
Elevon Group		Crew Nacelle Center Section Armament Electrical..	126
Elevon Installation.....	25	Crew Nacelle Center Section Oxygen.....	127
Trim Flap Group		Heating and Ventilating and Cabin Pressure Regulator	128
Trim Flap Installation.....	26	Crew Nacelle Aft Section.....	130
Trim Flap Hydraulics.....	28	Crew Nacelle Aft Section Electrical and Armament	132
Rudder.....	30	Electrical.....	132
Slot Doors Group		Crew Nacelle Rear Escape Hatch Mechanism.....	133
Slot Doors.....	31	Pilot's Enclosure.....	134
Center Wing Group		Rear Upper Gunner's Enclosure.....	135
Center Wing Installation.....	32	Astradome.....	136
Leading Edge Assemblies.....	34	Nose Wheel Shock Strut Door.....	137
Plenum Chamber Valve and Waste Gate Controls...	37	Crew Nacelle Main Entrance Door.....	138
Center Wing Aft Leading Edge Electrical.....	40	Crew Nacelle Instruments.....	140
Center Wing Center Section Assembly.....	42	Flight Engineer's Instrument Panel.....	142
Center Wing Center Section Structure.....	44	Pilot's and Co-Pilot's Instrument Panel.....	144
Heat and Vent Aspirator.....	47	Crew Nacelle Aft Section Hydraulics.....	145
Main Landing Gear Bungee.....	48	Crew Nacelle Electrical and Armament Electrical...	146
Center Wing Center Section Electrical Part I.....	50	Landing Gear Group	
Center Wing Center Section Electrical Part II.....	54	Main Landing Gear Installation.....	148
Auxiliary Power Unit Fuel System.....	57	Main Landing Gear Assembly.....	150
Center Wing Housing Assemblies.....	58	Brake Lines and Main Landing Gear.....	152
Nose Wheel Doors.....	59	Trunnion and Cylinder Assemblies.....	154
Nose Landing Gear Emergency Bungee.....	60	Upper Truss Assembly.....	156
Outboard Engine Doors.....	62	Main Landing Gear Locks and Lock Control Mech-	158
Main Landing Gear Doors.....	64	anism.....	158
Life Raft and Dingy Door.....	66	Nose Landing Gear Installation.....	160
Bomb Bay Doors and Mechanisms.....	68	Nose Landing Gear Assembly.....	164
Bomb Bay Door Opening Mechanism.....	70	Nose Landing Gear Retracting Mechanism.....	166
Bomb Bay Door Opening Power Unit.....	72	Nose Wheel Steering and Hand Brake Control.....	169
Piping, Ducts and Intake.....	74	Power Plant Group	
Center Wing Instruments.....	76	YB-35 Power Plant Complete.....	170
Center Wing Trailing Edge Hydraulics.....	78	YB-35 Inboard Engines.....	172
Hydraulic Pressurized Reservoirs.....	80	YB-35 Inboard Propeller Feathering and Gear Box	174
Center Wing Electrical.....	82	Oil System.....	174
Center Wing Fire Extinguisher and Detector System	84	YB-35 Inboard Propeller Shaft.....	176
Cabin Heater to Crew Nacelle Heating and Ventilating	86	YB-35 Inboard Alternator.....	177
YB-49 Heating and Ventilating.....	88	YB-35 Outboard Engines.....	178
Center Wing Hydraulics Aft of Landing Edge.....	90	YB-35 Outboard Propeller Shaft.....	181
Hydraulic Power Boost Reservoir.....	92	YB-35 Outboard Propeller Feathering and Gear Box	182
Landing Flap Group		Oil System.....	182
Landing Flaps.....	94	YB-35 Exhaust System.....	184
		YB-35 Plenum Chamber.....	188
		YB-35 Plenum Chamber Turbo.....	190
		YB-35 Intercooler.....	191
		YB-35 Inboard and Outboard Oil Coolers.....	192
		YB-35 De-Icing System.....	193

Table of Contents

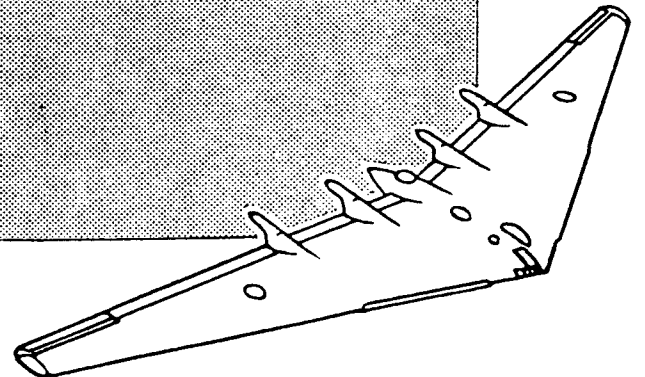
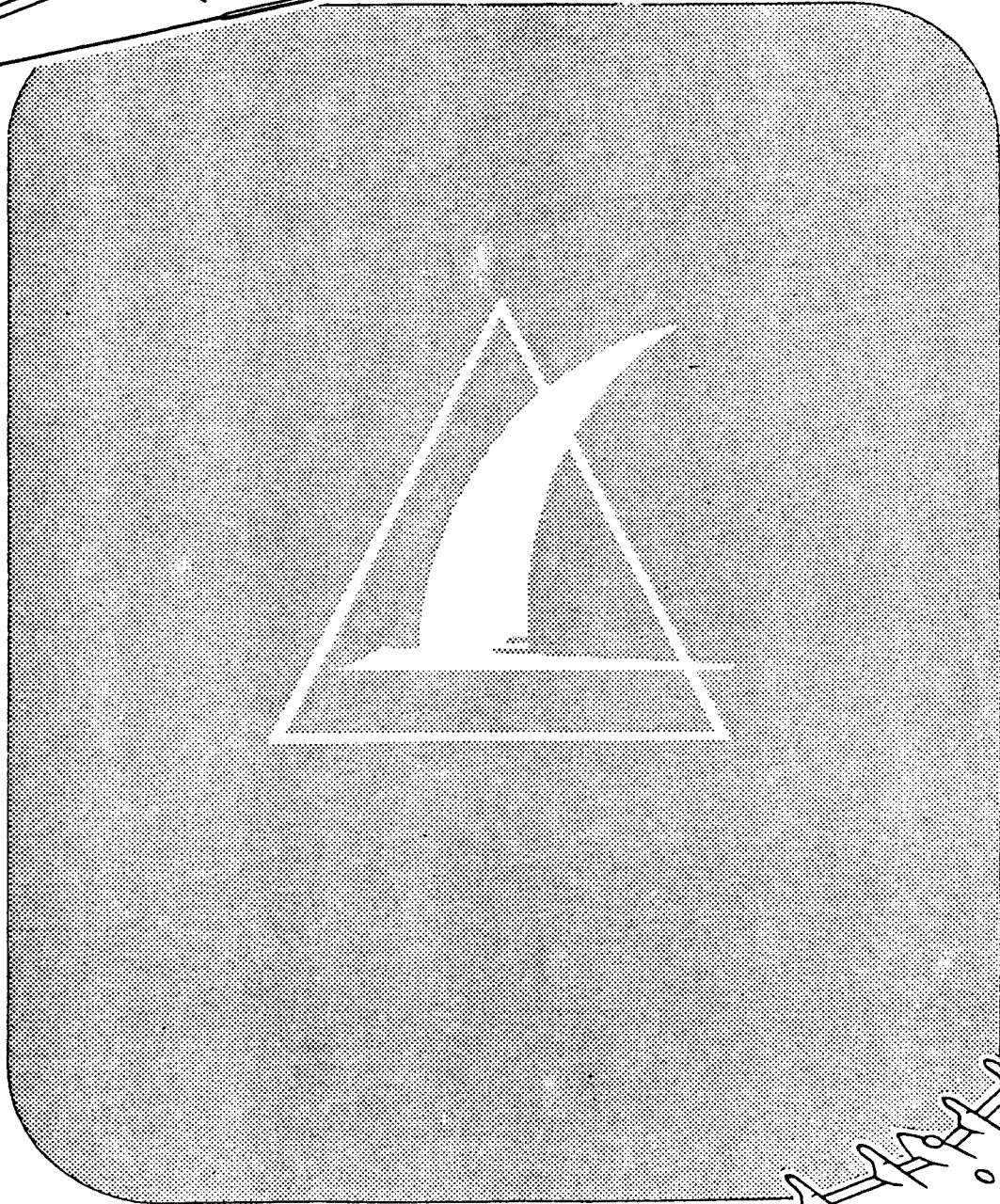
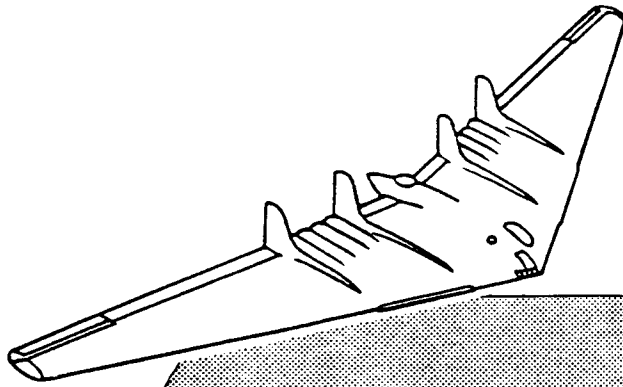
TABLE OF CONTENTS

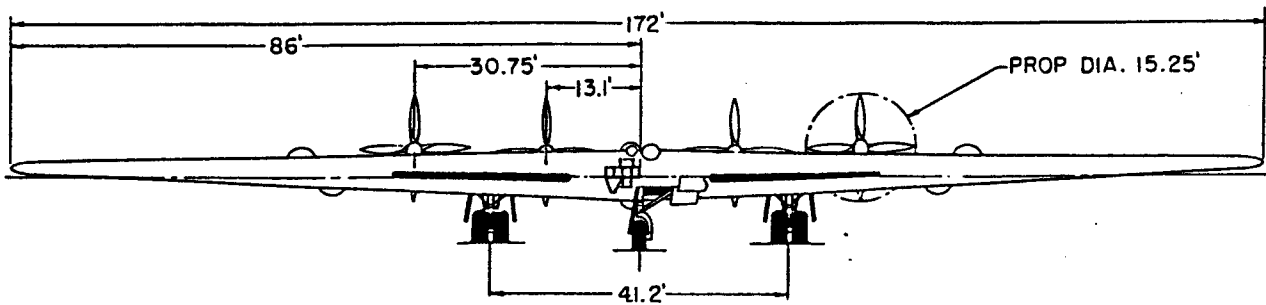
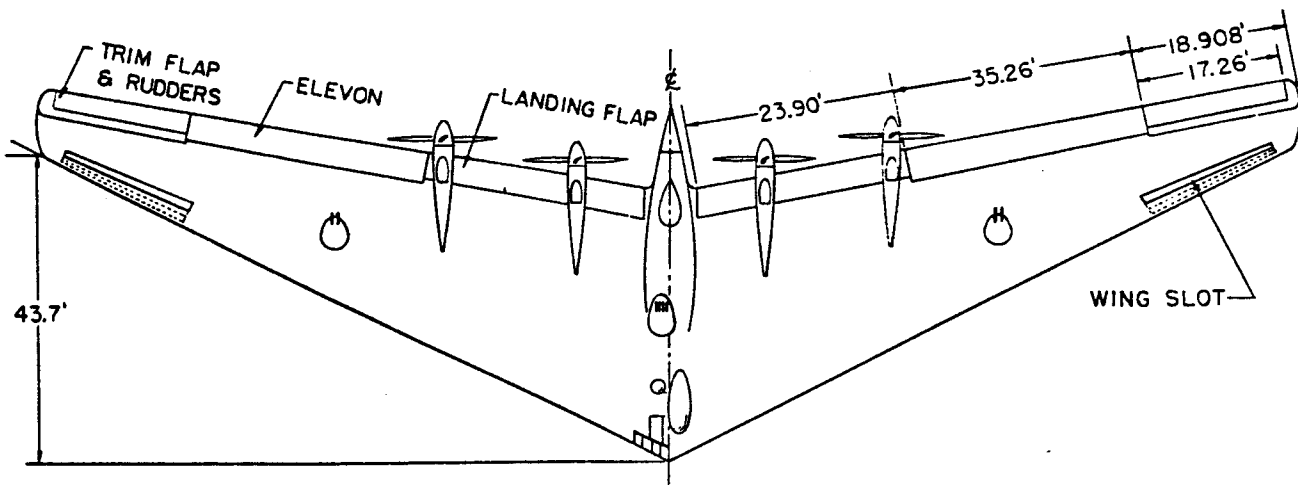
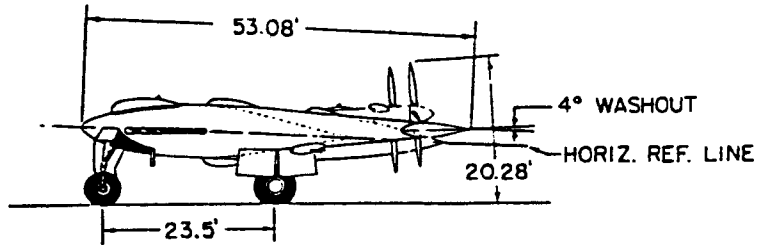
	<i>Page No.</i>
SECTION II—GROUP ASSEMBLY PARTS LIST (Cont.)	
YB-35 Plenum Chamber Exhaust System Insulating Blanket.....	194
YB-35 Power Plant Controls.....	196
YB-35 Power Plant Oil System.....	198
YB-35 Power Plant Turbo Oil System.....	200
YB-35 Power Plant Instruments.....	201
YB-35 Fuel System.....	202
YB-35 Main Outboard Fuel Tanks.....	204
YB-35 Main Inboard Tanks.....	205
YB-35 Auxiliary Fuel Tanks and Piping.....	206
YB-35 Fuel Piping.....	208
YB-35 Engine Piping.....	211
YB-49 Power Plant Complete.....	212
YB-49 Demountable Engine Assembly.....	214
YB-49 Engine Oil System.....	216
YB-49 Engine Tail Pipes.....	217
YB-49 Power Plant Fuel System.....	218
Main Outboard and Inboard Fuel Tanks.....	220
Bomb Bay Fuel Tanks.....	223
Outer Wing Auxiliary Fuel Tanks No. 5 and No. 10.....	224
Auxiliary Outboard Fuel Tanks No. 6 and No. 9.....	226
Auxiliary Inboard Fuel Tanks No. 7 and No. 8.....	228
YB-49 Fuel Piping.....	230
YB-49 Engine Cooling Air Ducts.....	232
YB-49 Power Plant Hydraulics.....	233
Radio Group	
Complete Radio.....	234
AN/ARC-3 Radio.....	235
Interphone.....	236
RC-193 Marker Beacon Radio.....	237
AN/ARN-7 Radio Compass.....	238
AN/ARC-8 Liaison Radio.....	239
SCR-274 Low Frequency Radio.....	240
RC-103 Radio.....	241
SCR-695 Identification Radio.....	242
Complete Antenna.....	244
SCR-718 Altimeter Radio.....	246
AN/ARN-5 Glide Path Radio.....	247
APN/9 Loran Radio.....	248
Armament Group	
Bomb Sight.....	249
Central Fire Station Control.....	250
Bombing Equipment.....	252
Bomb Racks.....	254
Functional Group	
Complete Electrical.....	256
Armament Electrical Complete.....	258
YB-35 Engine Controls.....	259
YB-35 Turbo Air Intake Valve Controls.....	262
YB-35 Supercharger Controls.....	263
YB-35 Engine Control Cables.....	264
YB-49 Power Plant Controls.....	266
YB-49 Pilot's Throttle Handle and Shaft.....	268
YB-49 Flight Engineer's Throttle Control Unit.....	270
Flight Controls.....	272
Elevon Controls.....	274
Control Column.....	276
Emergency Elevon Control Drive Mechanism.....	278
Rudder Controls.....	280
Slot Door Controls.....	282
Landing Flap Controls.....	284
Trim Flap Controls.....	286
Miscellaneous Controls.....	287
Landing Gear Control Handle and Cables.....	288
Emergency Landing Gear Controls.....	290
Main Landing Gear Controls.....	292
Landing Gear Emergency Release Mechanism.....	294
Pitot Static System.....	295
YB-49 Fire Extinguisher System.....	296

	<i>Page No.</i>
SECTION II—GROUP ASSEMBLY PARTS LIST (Cont.)	
Equipment Group	
Furnishings.....	298
Seats Complete.....	302
Loose Equipment.....	304
Systems Installations	
Heat Detector Systems.....	306
Oil Systems.....	307
Fuel Systems.....	308
Instrument Systems.....	309
Hydraulic Systems.....	310
Fire Extinguisher Systems.....	311
Electrical Systems.....	312
De-Icing Systems.....	314
Anti-Icing Systems.....	315
Oxygen Systems.....	316
Emergency Equipment Systems.....	317
Heating and Ventilating Systems.....	318
Surface Controls.....	320
Engine Controls.....	322
SECTION III—NUMERICAL PARTS LIST..... 323	
SECTION IV—SPECIAL TOOLS..... 357	
Fly-Away Equipment.....	358
Ground Handling Equipment.....	359
Special Tools.....	360

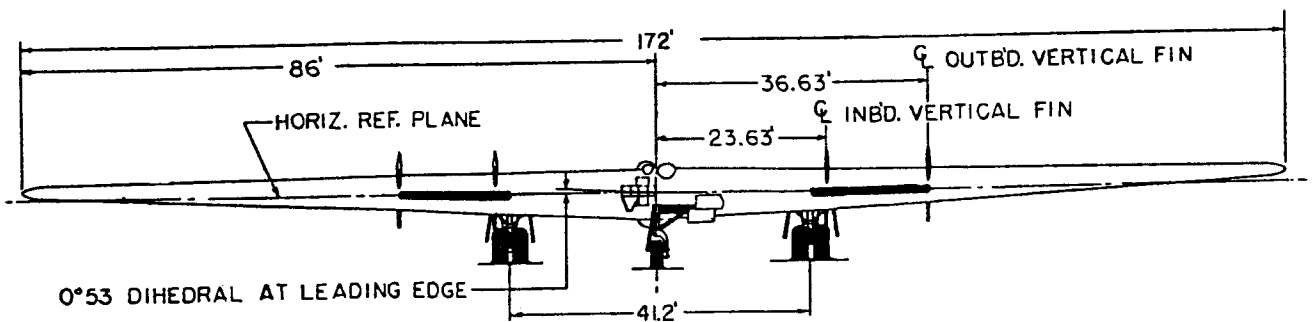
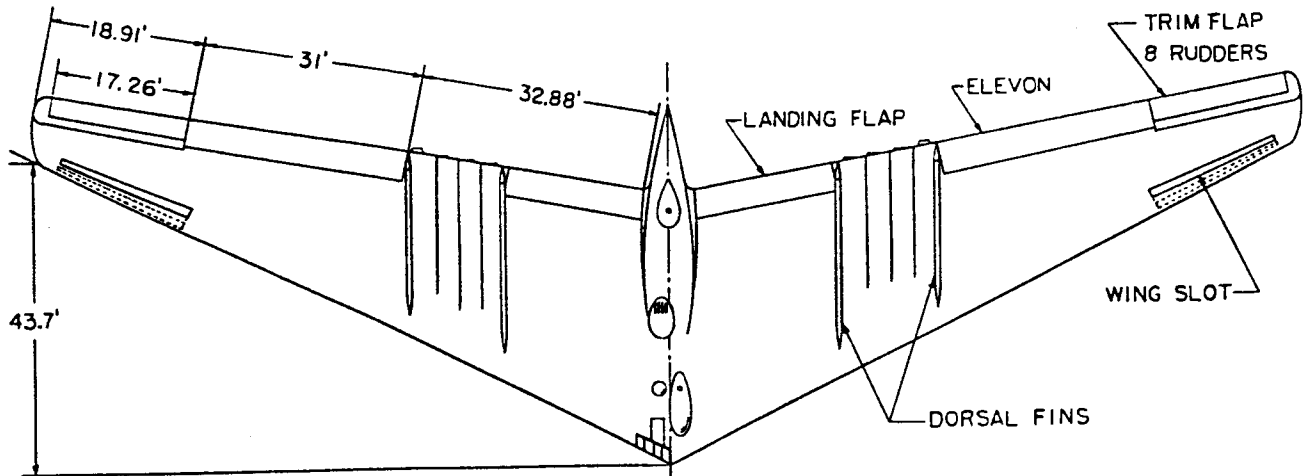
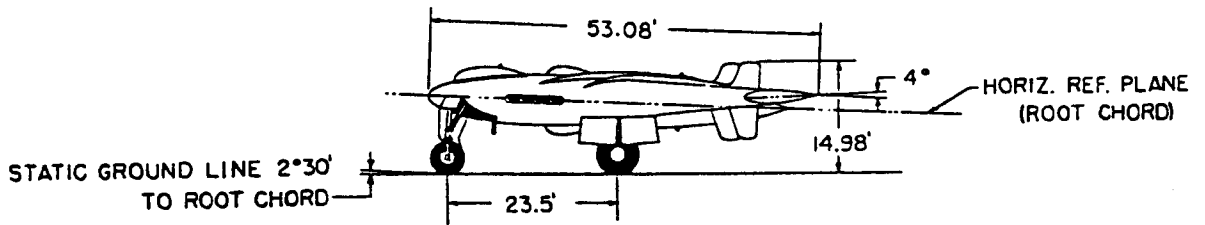
SECTION I

INTRODUCTION





THREE VIEW—YB-35



HOW TO USE THE PARTS CATALOG

HOW TO FIND A PART—when the Part Number is not known

Table of Contents

RESTRICTED
AN 01-15EAA-4
TABLE OF CONTENTS

SECTION I. GROUP ASSEMBLY PARTS LIST (CONT.)

SECTION II. GROUP ASSEMBLY PARTS LIST (CONT.)

SECTION III. NUMERICAL PARTS LIST

SECTION IV. SPECIAL TOOLS

Section II
Group Assembly Parts List

RESTRICTED
AN 01-15EAA-4
POWER PLANT GROUP

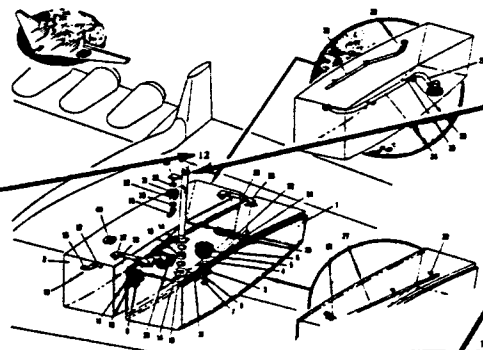
Section II
Group Assembly Parts List

RESTRICTED
AN 01-15EAA-4
POWER PLANT GROUP

Section II
Group Assembly Parts List

RESTRICTED
AN 01-15EAA-4
POWER PLANT GROUP

1. Determine the location of the part in relation to the ten major groups of the airplane: Outer Wing, Elevon, Trim Flap, Center Wing Slot Doors, Landing Flap, Body, Landing Gear, Power Plant, Radio, Armament Functional Equipment, Furnishings, and Loose Equipment.
2. Turn to the Table of Contents. Under each of the ten major group headings will be found a list of all illustrations comprising that group. From this list select the illustration most likely to contain the desired part; or Consult one of the Complete System Installation Drawings which appear as the last pages of Section II. These illustrations show complete functional systems (Fuel, Hydraulic, Electrical, etc.), and serve as a visual index to the equipment throughout the catalog.



3. Refer to the page number indicated and find desired part on illustration.
4. Note the Figure Number of the illustration and the Index Number of the part. Refer to the corresponding Figure-Index Number on the Assembly List page for Part Number, Nomenclature, etc.

3. If illustration of part is desired — refer to same Figure and Index Number on accompanying illustration.
2. Turn to Figure and Index Number indicated to obtain desired information.

RESTRICTED
AN 01-15EAA-4
POWER PLANT GROUP
OUTER WING AUXILIARY FUEL TANKS 1 AND 10

FIGURE 122 OUTER WING AUXILIARY

FIGURE	INDEX	DESCRIPTION	FIGURE	INDEX	DESCRIPTION
122	12	ST1212BA	122	12	ST1212BA
122	13	ST1213BA	122	13	ST1213BA
122	14	ST1214BA	122	14	ST1214BA
122	15	ST1215BA	122	15	ST1215BA
122	16	ST1216BA	122	16	ST1216BA
122	17	ST1217BA	122	17	ST1217BA
122	18	ST1218BA	122	18	ST1218BA
122	19	ST1219BA	122	19	ST1219BA
122	20	ST1220BA	122	20	ST1220BA
122	21	ST1221BA	122	21	ST1221BA
122	22	ST1222BA	122	22	ST1222BA
122	23	ST1223BA	122	23	ST1223BA
122	24	ST1224BA	122	24	ST1224BA
122	25	ST1225BA	122	25	ST1225BA
122	26	ST1226BA	122	26	ST1226BA
122	27	ST1227BA	122	27	ST1227BA
122	28	ST1228BA	122	28	ST1228BA
122	29	ST1229BA	122	29	ST1229BA
122	30	ST1230BA	122	30	ST1230BA
122	31	ST1231BA	122	31	ST1231BA
122	32	ST1232BA	122	32	ST1232BA
122	33	ST1233BA	122	33	ST1233BA
122	34	ST1234BA	122	34	ST1234BA
122	35	ST1235BA	122	35	ST1235BA
122	36	ST1236BA	122	36	ST1236BA
122	37	ST1237BA	122	37	ST1237BA
122	38	ST1238BA	122	38	ST1238BA
122	39	ST1239BA	122	39	ST1239BA
122	40	ST1240BA	122	40	ST1240BA
122	41	ST1241BA	122	41	ST1241BA
122	42	ST1242BA	122	42	ST1242BA
122	43	ST1243BA	122	43	ST1243BA
122	44	ST1244BA	122	44	ST1244BA
122	45	ST1245BA	122	45	ST1245BA
122	46	ST1246BA	122	46	ST1246BA
122	47	ST1247BA	122	47	ST1247BA
122	48	ST1248BA	122	48	ST1248BA
122	49	ST1249BA	122	49	ST1249BA
122	50	ST1250BA	122	50	ST1250BA
122	51	ST1251BA	122	51	ST1251BA
122	52	ST1252BA	122	52	ST1252BA
122	53	ST1253BA	122	53	ST1253BA
122	54	ST1254BA	122	54	ST1254BA
122	55	ST1255BA	122	55	ST1255BA
122	56	ST1256BA	122	56	ST1256BA
122	57	ST1257BA	122	57	ST1257BA
122	58	ST1258BA	122	58	ST1258BA
122	59	ST1259BA	122	59	ST1259BA
122	60	ST1260BA	122	60	ST1260BA
122	61	ST1261BA	122	61	ST1261BA
122	62	ST1262BA	122	62	ST1262BA
122	63	ST1263BA	122	63	ST1263BA
122	64	ST1264BA	122	64	ST1264BA
122	65	ST1265BA	122	65	ST1265BA
122	66	ST1266BA	122	66	ST1266BA
122	67	ST1267BA	122	67	ST1267BA
122	68	ST1268BA	122	68	ST1268BA
122	69	ST1269BA	122	69	ST1269BA
122	70	ST1270BA	122	70	ST1270BA
122	71	ST1271BA	122	71	ST1271BA
122	72	ST1272BA	122	72	ST1272BA
122	73	ST1273BA	122	73	ST1273BA
122	74	ST1274BA	122	74	ST1274BA
122	75	ST1275BA	122	75	ST1275BA
122	76	ST1276BA	122	76	ST1276BA
122	77	ST1277BA	122	77	ST1277BA
122	78	ST1278BA	122	78	ST1278BA
122	79	ST1279BA	122	79	ST1279BA
122	80	ST1280BA	122	80	ST1280BA
122	81	ST1281BA	122	81	ST1281BA
122	82	ST1282BA	122	82	ST1282BA
122	83	ST1283BA	122	83	ST1283BA
122	84	ST1284BA	122	84	ST1284BA
122	85	ST1285BA	122	85	ST1285BA
122	86	ST1286BA	122	86	ST1286BA
122	87	ST1287BA	122	87	ST1287BA
122	88	ST1288BA	122	88	ST1288BA
122	89	ST1289BA	122	89	ST1289BA
122	90	ST1290BA	122	90	ST1290BA
122	91	ST1291BA	122	91	ST1291BA
122	92	ST1292BA	122	92	ST1292BA
122	93	ST1293BA	122	93	ST1293BA
122	94	ST1294BA	122	94	ST1294BA
122	95	ST1295BA	122	95	ST1295BA
122	96	ST1296BA	122	96	ST1296BA
122	97	ST1297BA	122	97	ST1297BA
122	98	ST1298BA	122	98	ST1298BA
122	99	ST1299BA	122	99	ST1299BA
122	100	ST1300BA	122	100	ST1300BA

— when the Part Number is known

1. Find the Part Number in the Numerical Parts List. Note the Figure and Index Number where the part is called out in Group Assembly Parts List.

SECTION II - GROUP ASSEMBLY PARTS LIST illustrates and lists parts which are stocked or likely to be stocked as being capable of replacement.

- 1 FIGURE AND INDEX NUMBER where part is illustrated.
2 PART NUMBER.
3 When LEFT AND RIGHT-HAND PARTS are listed together under one index number...
4 NP indicates Non-Procurement.
5 USAGE CODES - shown here - for explanation see page 6.
6 ATTACHING PARTS are listed immediately after the item being attached and preceding any components of the item.
7 The UNITS PER ASSEMBLY COLUMN gives the number required per assembly, per sub-assembly, per sub-sub-assembly, etc.
8 VENDOR'S CODE shown after title - for complete firm name and address, see pages 7, 8, and 9.
9 (GFP) indicates Government-furnished property. No detail breakdowns is listed for these parts.
10 CONTRACTOR-FURNISHED ITEMS which are covered by separate technical order parts catalogs...

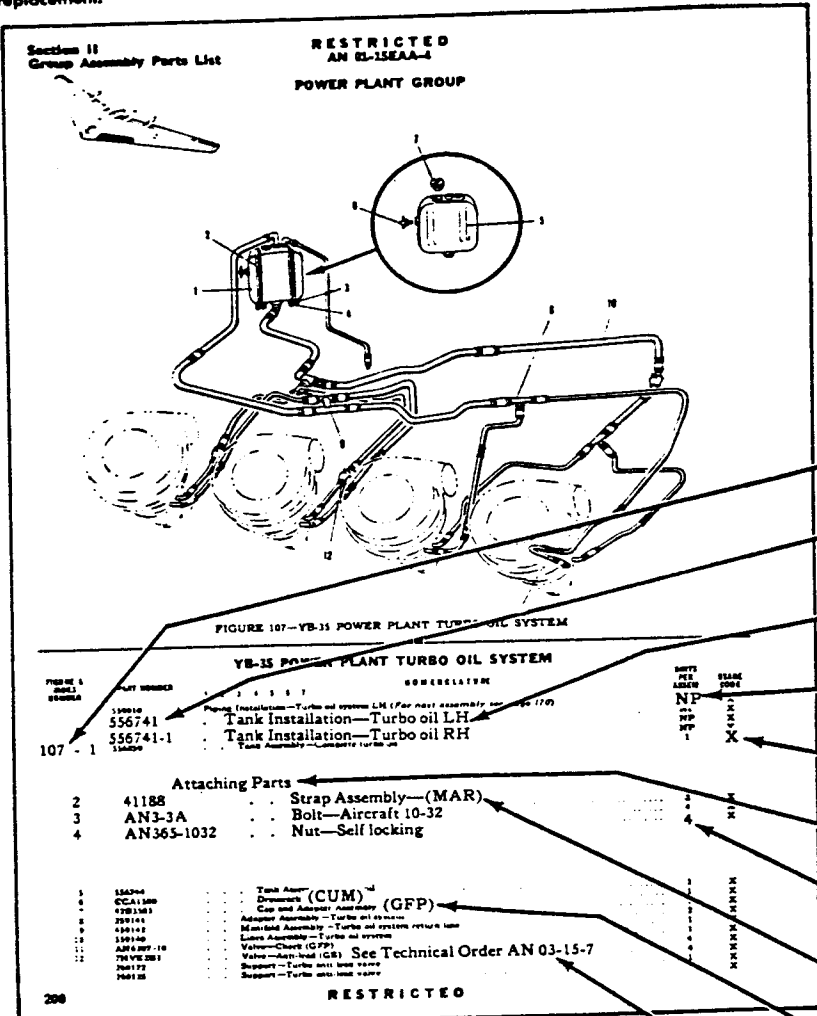


FIGURE 107 - YB-35 POWER PLANT TURBO OIL SYSTEM

Table with columns: PART NUMBER, FIGURE AND INDEX NUMBER, USAGE CODES, and UNIT QUANTITY.

Table of Attaching Parts including: Strap Assembly (MAR), Bolt - Aircraft 10-32, and Nut - Self locking.

SECTION III - NUMERICAL PARTS LIST is the index for the catalog, listing all part numbers called for in Section II and IV.

Section III Numerical Parts List RESTRICTED AN 01-15EAA-4

Numerical Parts List table with columns: PART NUMBER, FIGURE AND INDEX NUMBER, TOTAL QTY, PART NUMBER, FIGURE AND INDEX NUMBER, TOTAL QTY, PART NUMBER, FIGURE AND INDEX NUMBER, TOTAL QTY.

- 11 The TOTAL QUANTITY COLUMN summarizes the callouts in Section II and is not necessarily total quantity per airplane.
12 FIGURE AND INDEX NUMBER where parts are illustrated and listed.
13 COMMERCIAL PARTS and parts for which no part number is available are listed at the beginning of the Numerical Parts List in alphabetical order.
14 For STANDARD PARTS, including the Contractor's standards, only one figure and index number is listed.
15 The NUMERICAL ARRANGEMENT is in accordance with the system specified in Technical Order 00-35A-6.

Section I Introduction

RESTRICTED AN 01-15EAA-4

INTRODUCTION

This Catalog illustrates, lists, and describes parts for model YB-35, YB-49 and YB-35A Airplanes manufactured by Northrop Aircraft, Inc., Hawthorne, California. It is intended for use by the services in selecting and identifying parts for stock, maintenance, repair and salvage. The serial numbers of Airplanes covered are USAF 42-102366 to USAF 42-102378, inclusive.

The parts catalog is divided in four sections, arranged in the following manner:

- Section I Introduction
- Section II Group Assembly Parts List
- Section III Numerical Parts List
- Section IV Special Tools

Section I Introduction

This section consists of an explanation of the various sections of the Catalog; the Usage Code Legend; How to use the Catalog; and the Alphabetical List of Vendors.

Section II Group Assembly Parts List

This section consists of those assemblies and detail parts considered practicable and necessary for maintenance and repair of the airplane. Parts which have lost their individual identity as the result of being fabricated into a permanent assembly, and parts such as cotter pins, rivets, lockwire, tape, seals, fillers, fairleads, decals, diagrams, insulation, hose, gang channels, anchor nuts and groove-pins are not listed. The items are separated into groups as they naturally separate into assemblies, sub assemblies and detail parts.

The first illustration of each group is the index illustration showing a portion of each major assembly contained in that section. The part number, nomenclature, and number required for each unit per assembly are listed in each section in that order. The next assembly for each item may be obtained by referring to the first indenture above and to the left.

Parts shown with NP in Units Per Assembly Column are not procurable for replacement.

In instances where a part or installation is changed during the course of production both part numbers will be given in the Parts List and the serial numbers of the airplanes affected will be noted by code letters in the Usage Code Column.

USAGE CODE LEGEND

Parts used on all model YB-35, YB-49, and YB-35A Airplanes will be coded ALL

USAF Serial No.	Model	Code
42-102366.....	YB-35	C
42-102367.....	YB-49	D
42-102368.....	YB-49	E
42-102369.....	YB-35	F
42-102370.....	YB-35	G
42-102371.....	YB-35	H
42-102372.....	YB-35	J
42-102373.....	YB-35	K
42-102374.....	YB-35A	M
42-102375.....	YB-35A	N
42-102376.....	YB-35A	P
42-102377.....	YB-35A	Q
42-102378.....	YB-35A	R
42-102366 to 42-102373.....	YB-35, YB-49	T
42-102374 to 42-102378.....	YB-35A	U
42-102369 to 42-102373.....	YB-35	V
42-102366 and 42-102369 to 42-102373.....	YB-35	W
42-102366 and 42-102369 to 42-102378.....	YB-35, YB-35A	X
42-102367 and 42-102368.....	YB-49	DE

NOTE:—Parts used on 1st and 5th Airplanes only will be coded as CG; 6th and 8th Airplanes only will be coded HK, etc.

Parts used on 1st through 5th Airplanes, inclusive, will be coded C-G; 6th through 8th Airplanes, inclusive, will be coded H-K, etc.

Section III Numerical Parts List

This section consists of the following:

1. Contractor's production part numbers, listed numerically regardless of size.
Note: Contractor's basic drawing numbers consist of six digits. The first digit in every case indicates the size of the drawing.
2. Contractor's standard part numbers.
3. Proprietary part numbers.
4. Standard part numbers, including AN, NAF, and NAS.
5. Special Tools.

Section IV Special Tools

This section consists of fly-away equipment, ground handling equipment, and special tools required for maintenance and repair.

NOTE

DUE TO MANY DESIGN CHANGES DURING THE MANUFACTURE OF THESE AIRPLANES, AND IN ORDER TO EXPEDITE DELIVERY OF SPARE PARTS, IT IS NECESSARY TO SPECIFY THE AIRPLANE MODEL, BLOCK DESIGNATION, SERIAL NUMBER, PART NUMBER AND COMPLETE NOMENCLATURE WHEN REQUISITIONING PARTS. STRICT COMPLIANCE WITH THE ABOVE REQUIREMENTS WILL AVOID DELAY IN DELIVERY OF REQUISITIONED PARTS.

RESTRICTED

ALPHABETICAL LIST OF VENDORS

**All Code Symbols for Manufacturers Shown in this Catalog are in
Compliance with ANA Bulletin No. 262C**

ACEC.....	Accessories Mfg. and Engineering Co. South Gate, Calif.	Burns Aero Seat Co. Glendale, Calif.
AP.....	Adel Precision Products Corp. Burbank, Calif.	CHW.....	California Hardware Co. Los Angeles, Calif.
AS.....	Aero Supply Mfg. Co., Inc. Corry, Penna.	CSC.....	California Spring Co. Los Angeles, Calif.
AQ.....	Aeroquip Corp. Jackson, Mich.	Calplastic Corp. Los Angeles, Calif.
AA.....	Air Associates, Inc. Bendix, N. J.	CED.....	Cannon Electric Co. Los Angeles, Calif.
ACR.....	Air Cruisers, Inc. Clifton, N. J.	Carvanite Products Co. Los Angeles, Calif.
AM.....	Aircraft Mechanics Inc. Colorado Springs, Colo.	CME.....	Chicago Metal Hose Corp. Maywood, Ill.
AI.....	Aireon Mfg. Corp. Burbank, Calif.	CC.....	Chrysler Corp., Amplex Div. Detroit, Mich.
AIR.....	Airesearch Mfg. Co. Los Angeles, Calif.	CLF.....	Clifford Mfg. Co. Boston, Mass.
AFS.....	American Air Filter Co. Louisville, Ky.	CEC.....	Collins Engineering Co. Culver City, Calif.
AG.....	American Gas Accumulator Co. Elizabeth, N. J.	CPR.....	Columbus Plastic Products Inc. Columbus, Ohio
ALF.....	American LaFrance Foamite Co. Elmira, N. Y.	COE.....	Cook Electrical Co. Chicago, Ill.
ASE.....	American Seating Co. Grand Rapids, Mich.	Corbin Engineering Co. New Britain, Conn.
APX.....	The Apex Machine and Tool Co. Dayton, Ohio	Curtis Automotive Devices, Inc. Dayton, Ohio
ARN.....	Arena Controls Inc. Chicago, Ill.	CUT.....	Cutler-Hammer, Inc. Milwaukee, Wis.
AL.....	Ark-Les Switch Corp. Watertown, Mass.	DE.....	Delco Products Dayton, Ohio
ARW.....	Arrowhead Rubber Co. Vernon, Calif.	DL.....	The Dill Mfg. Co. Cleveland, Ohio
AFT.....	Aircraft Standard Parts Co. Rockford, Ill.	Dixie Cup Co. Los Angeles, Calif.
BCC.....	Barber-Colman Co. Rockford, Ill.	EM.....	Eaton Mfg. Co. Massillon, Ohio
BSL.....	Barbour Stockwell Co. Cambridge, Mass.	EDI.....	Thomas A. Edison, Inc. West Orange, N. J.
BCO.....	Barco Mfg. Co. Chicago, Ill.	EDW.....	Edwards & Co. Norwalk, Conn.
BMC.....	Bardwell & McAllister Inc. Hollywood, Calif.	EN.....	Elastic Stopnut Corp. Union, N. J.
PDI.....	Bendix Aviation Corp. North Hollywood, Calif.	EEM.....	Electrical Engineering and Mfg. Co. Los Angeles, Calif.
BX.....	Bendix Products South Bend, Indiana	ELP.....	Electric Products Supply Co. Los Angeles, Calif.
BOT.....	Boots Aircraft Nut Corp. New Canaan, Conn.	FAF.....	Fafair Bearing Co. New Britain, Conn.
BGW.....	Boston Gear Works Inc. North Quincy, Mass.	FEN.....	Fenwal, Inc. Ashland, Mass.
BOWERS.....	Bowers Mfg. Co., Inc. Los Angeles, Calif.	FS.....	Fulton Siphon Co. Knoxville, Tenn.
BRH.....	L. S. Brach Mfg. Corp. Newark, N. J.	GP.....	Garlock Packing Co. Palmyra, N. Y.
BC.....	Breeze Corporations, Inc. Newark, N. J.	Garrott Supply Co. Los Angeles, Calif.
BE.....	Burdny Engineering Co., Inc. New York, N. Y.	GE.....	General Electric Co. Schenectady, N. Y.

ALPHABETICAL LIST OF VENDORS

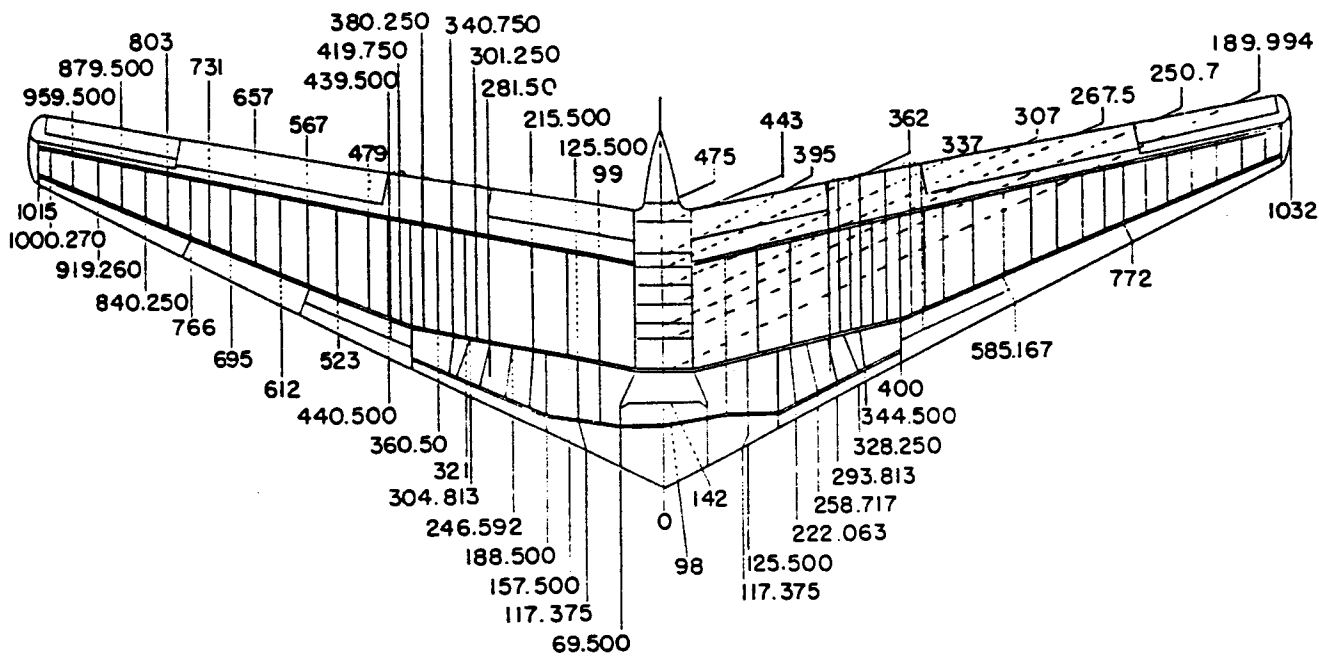
All Code Symbols for Manufacturers Shown in this Catalog are in
Compliance with ANA Bulletin No. 262C

GCO.....	General Controls Co. Glendale, Calif.	MAL.....	P. R. Mallory Co. Indianapolis, Indiana
GIB.....	Gilfillan Bros. Inc., Aircraft Div. Los Angeles, Calif.	MAR.....	Marman Products Inglewood, Calif.
GD.....	B. F. Goodrich Co. Akron, Ohio	MQ.....	The Marquette Metal Products Co. Cleveland, Ohio
GMC.....	Grimes Mfg. Co. Urbana, Ohio	MWC.....	Warren McArthur Corp. Bantam, Conn.
GN.....	Guardian Electric Co. Chicago, Ill.	MS.....	Microswitch Corp. Freeport, Ill.
.....	Halfo Products Co. Los Angeles, Calif.	MH.....	Minneapolis-Honeywell Regulator Co. Minneapolis, Minn.
HWL.....	Hartwell Aviation Supply Co. Los Angeles, Calif.	NAM.....	Na-Mac Products Corp. Los Angeles, Calif.
HMC.....	Harvey Machine Co. Torrance, Calif.	Nash Engineering Co. South Norwalk, Conn.
RHS.....	R. Hetherington & Sons, Inc. Wilmington, Del.	NYB.....	New York Air Brake Co. Watertown, N. Y.
HEC.....	The Heim Co. Fairfield, Conn.	Nissen & Co. Los Angeles, Calif.
HOV.....	Hoover Ball and Bearing Co. Ann Arbor, Mich.	OK.....	Ohmite Mfg. Co. Chicago, Ill.
.....	Hoover Electric Co. Los Angeles, Calif.	PK.....	Parker-Kalon Corp. New York, N. Y.
.....	Howard Auto Co. Los Angeles, Calif.	PAS.....	Pacific Scientific Co. Los Angeles, Calif.
HD.....	Houde Engineering Corp. Buffalo, N. Y.	PW.....	Pratt & Whitney East Hartford, Conn.
HS.....	Hamilton Standard Propeller (Div. of United Aircraft Corp.) East Hartford, Conn.	PA.....	The Parker Appliance Co. Cleveland, Ohio
HUG.....	Hughes Aircraft Culver City, Calif.	PR.....	Pioneer Instrument Co. Bendix, N. J.
HOA.....	Hydro Aire Co. Beverly Hills, Calif.	PLL.....	Joseph Pollak Corp. Glendale, Calif.
IA.....	Interstate Aircraft and Engineering Corp. El Segundo, Calif.	PET.....	Pump Engineering Service Co. Cleveland, Ohio
IRC.....	International Resistance Co. Philadelphia, Penna.	PUP.....	Purolator Products Inc. Newark, N. J.
JH.....	Jack & Heintz Inc. Cleveland, Ohio	RVE.....	The Revere Co. Wallingford, Conn.
WK.....	Walter Kidde & Co., Inc. Belleville, N. J.	Ritter Co., Inc. Rochester, N. Y.
KOE.....	Koehler Aircraft Products Co. Dayton, Ohio	RBC.....	Roller Bearing Co. of America Trenton, N. J.
.....	Lamson Corp. Syracuse, N. Y.	RYA.....	Ryan Aeronautical Co. San Diego, Calif.
LR.....	Leach Relay Co. Los Angeles, Calif.	SW.....	Stewart-Warner Corp. Chicago, Ill.
LA.....	Lear Avia, Inc. Piqua, Ohio	SVL.....	Saval Mfg. Co. Los Angeles, Calif.
LEN.....	Lewis Engineering Co. Naugatuck, Conn.	SCW.....	L. N. Schwien Mfg. Co. Los Angeles, Calif.
LIR.....	Linear Packing and Rubber Co., Inc. Vernon, Calif.	SEA.....	Searle Aero Industries Inc. Orange, Calif.
LIB.....	Link-Belt Chicago, Ill.	SHA.....	Shafer Bearing Corp. Chicago, Ill.
.....	Landers, Frary & Clark New Britain, Conn.	SI.....	Sierra Mfg. Co. Pasadena, Calif.

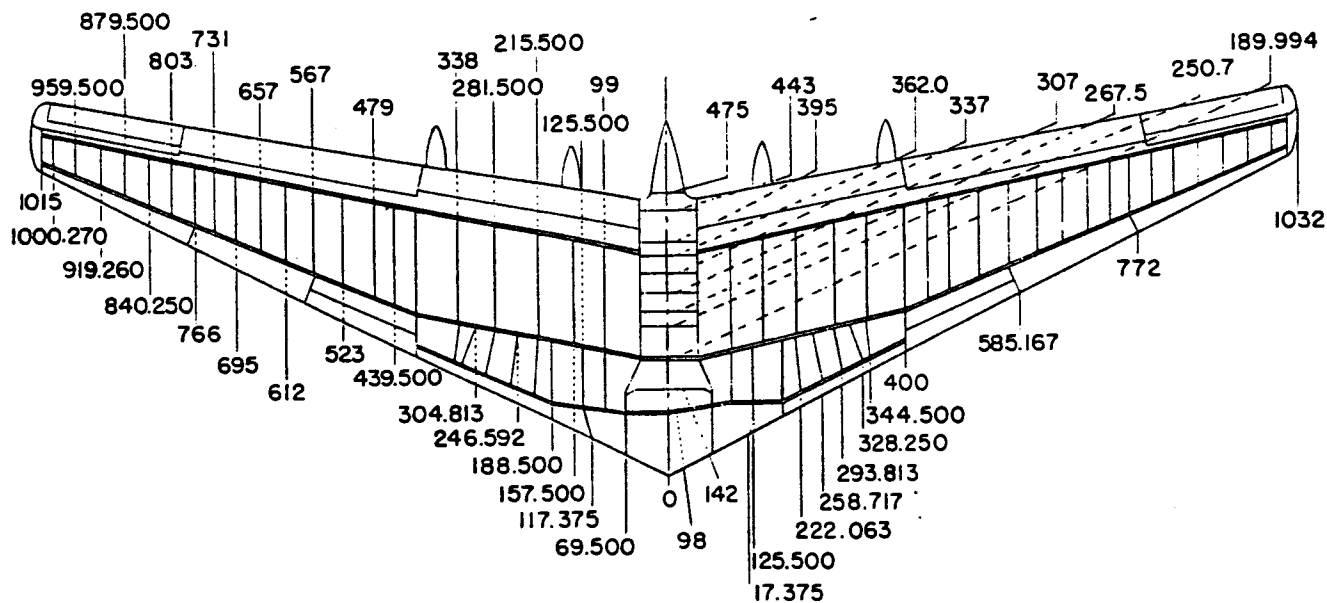
ALPHABETICAL LIST OF VENDORS

**All Code Symbols for Manufacturers Shown in this Catalog are in
Compliance with ANA Bulletin No. 262C**

SKP.....	Skinner Purifiers, Inc. Detroit, Mich.	UH.....	Union Hardware and Metal Co. Los Angeles, Calif.
SAC.....	Solar Aircraft Co. San Diego, Calif.	UC.....	United-Carr Fastener Corp. Cambridge, Mass.
SPT.....	Spencer Thermostat Co. Attleboro, Mass.	UG.....	U. S. Gauge Co. Sellersville, Penna.
SPS.....	Standard Pressed Steel Co. Jenkinstown, Penna.	USR.....	United States Rubber Co. New York, N. Y.
SQ.....	Square D Co. Los Angeles, Calif.	VCH.....	Vapor Car Co., Inc., Railway Exchange Chicago, Ill.
.....	Standard Aircraft Products Dayton, Ohio	VAR.....	Vard, Inc. Pasadena, Calif.
SLW.....	Standard Locknut and Lockwasher, Inc. Indianapolis, Indiana	Veeder Root Hartford, Conn.
STR.....	Sturgess Inc. Glendale, Calif.	VI.....	Vickers, Inc. Detroit, Mich.
EDI.....	T. A. Edison, Inc. West Orange, N. J.	Western Design and Mfg. Co. Los Angeles, Calif.
TOM.....	Thomas & Betts Elizabeth, N. J.	WX.....	Westinghouse Electric and Mfg. Co. Pittsburgh, Penna.
TMH.....	H. I. Thompson Co. Los Angeles, Calif.	WS.....	Weston Electric Instrument Corp. Newark, N. J.
TP.....	Thompson Products Inc. Cleveland, Ohio	WD.....	White Dental Mfg. Co. New York, N. Y.
TIN.....	Tinnerman Products Inc. Cleveland, Ohio	WR.....	White-Rodgers Electric Co. St. Louis, Mo.
.....	Trade Wind Motor Fan Co. Los Angeles, Calif.	WTR.....	Wm. R. Whittaker Co., Ltd. Los Angeles, Calif.
UA.....	United Aircraft Products Inc. Dayton, Ohio	WIG.....	E. B. Wiggins Oil Tool Co. Los Angeles, Calif.



YB-49



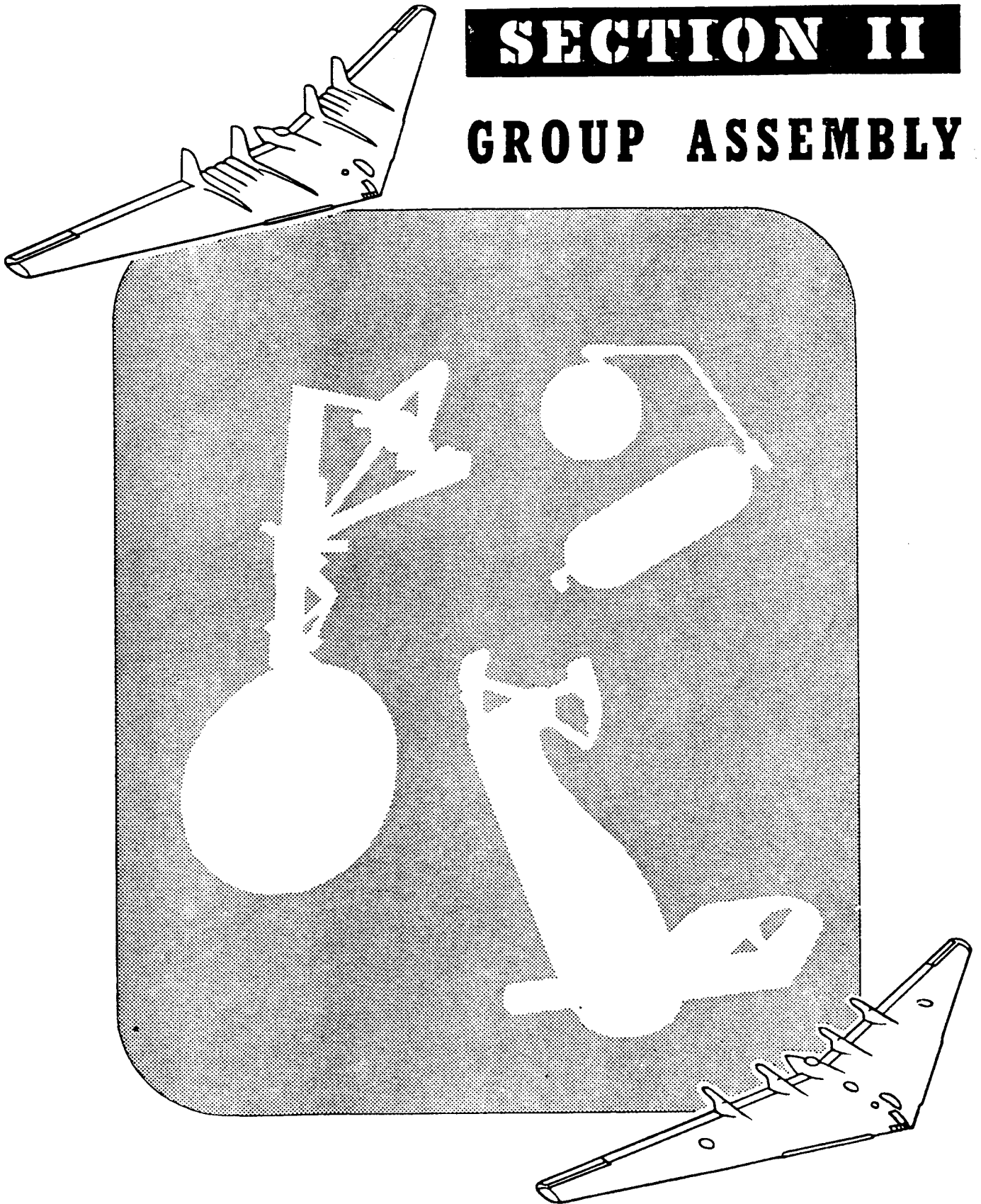
YB-35

STATION DIAGRAMS

RESTRICTED

SECTION II

GROUP ASSEMBLY



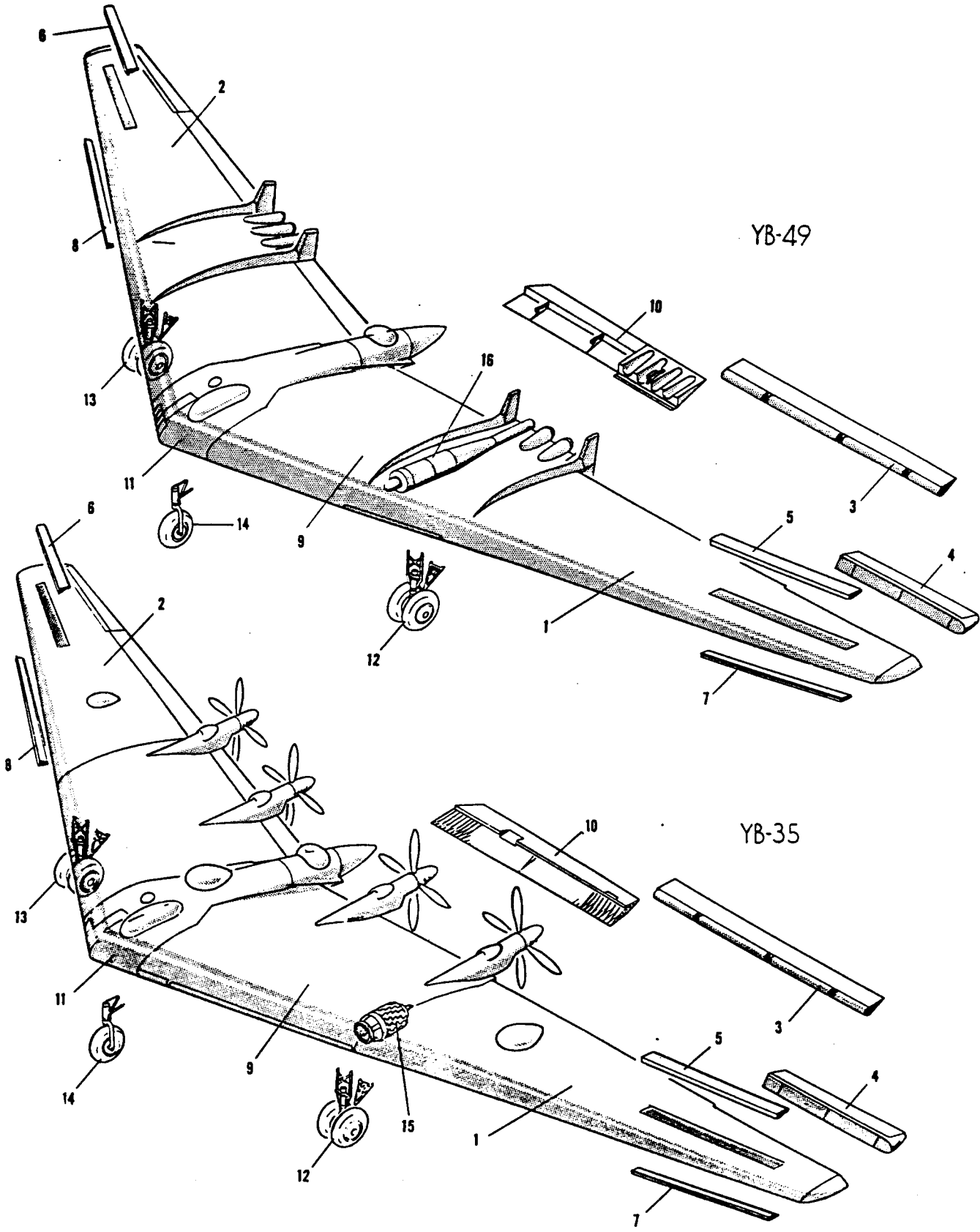


FIGURE 1—GENERAL ASSEMBLY—AIRPLANE

RESTRICTED

GENERAL ASSEMBLY
GENERAL ASSEMBLY—AIRPLANE

FIGURE & INDEX NUMBER	PART NUMBER	NOMENCLATURE	UNITS PER ASSEM	USAGE CODE
		1 2 3 4 5 6 7		
	588500	General Assembly—Three view (YB-35)	1	X
	557540	General Assembly—Airplane (YB-49)	1	DE
1 -	599011	Wing Installation—Outer LH (sta 400 to sta 1032) (For detail breakdown see page 14)	NP	ALL
2	599012	Wing Installation—Outer RH (sta 400 to sta 1032) (For detail breakdown see page 14)	NP	ALL
3	551017	Elevon Installation—(For detail breakdown see page 25)	NP	ALL
4	551021	Flap Installation—Trim (For detail breakdown see page 26)	NP	ALL
5	594681	Door Installation—Upper slot, LH (For detail breakdown see page 31)	NP	ALL
6	594682	Door Installation—Upper slot, RH (For detail breakdown see page 31)	NP	ALL
7	597399	Door Installation—Lower slot, LH (For detail breakdown see page 31)	NP	ALL
8	597400	Door Installation—Lower slot, RH (For detail breakdown see page 31)	NP	ALL
9	594385	Wing Installation—Center (For detail breakdown see page 32)	NP	ALL
10	551070	Flap Installation—Landing (For detail breakdown see page 95)	NP	C
11	579000-500	Nacelle Assembly—Complete crew (For detail breakdown see page 96)	NP	DE
	579000-502	Nacelle Assembly—Complete crew (For detail breakdown see page 96)	NP	VU
	579000-504	Nacelle Assembly—Complete crew (For detail breakdown see page 96)	NP	ALL
	551004	Gear Installation—Main landing, LH (For detail breakdown see page 148)	NP	ALL
12	551004-1	Gear Installation—Main landing, RH (For detail breakdown see page 148)	NP	ALL
13	551010	Gear Installation—Nose landing (For detail breakdown see page 161)	NP	X
14	590500	Plant Installation—Complete power (For detail breakdown see page 170) (YB-35 and YB-35A)	NP	DE
15	557001	Plant Installation—Complete power (For detail breakdown see page 213) (YB-49)	NP	T
16	551100	Radio Installation—Complete (For detail breakdown see page 234)	NP	U
	554464	Radio Installation—Complete (For detail breakdown see page 234)	NP	T
	551181	Wiring Installation—Complete radio	NP	U
	554308	Wiring Installation—Complete radio	NP	DE
	551137	Wiring Installation—Complete SCR 515	NP	C
	551027	Control Installation—Central fire station (For detail breakdown see page 251)	NP	XE
	551045	Sight Installation—Bomb (For detail breakdown see page 249)	NP	XE
	551044	Equipment Installation—Bombing (For detail breakdown see page 253)	NP	C
	551136	Electrical Installation—Complete armament (For detail breakdown see page 255)	NP	XE
	251056	List—Miscellaneous bombing station equipment (For detail breakdown see page 255)	NP	C
	251053	List—Miscellaneous armament station equipment (For detail breakdown see page 255)	NP	W
	591000-30	Controls Installation—Power plant (For detail breakdown see page 259)	NP	U
	591000-50	Controls Installation—Power plant (For detail breakdown see page 259)	NP	DE
	257536	Controls Installation—Power plant (For detail breakdown see page 267)	NP	ALL
	251649	Controls Installation—Flight (For detail breakdown see page 272)	NP	ALL
	251201	Controls Installation—Miscellaneous (For detail breakdown see page 287)	NP	ALL
	551135	Electrical Installation—Complete (For detail breakdown see page 257)	NP	DE
	559424	Detector Installation—Fire extinguisher, LH (For detail breakdown see page 297)	NP	DE
	559424-1	Detector Installation—Fire extinguisher, RH (For detail breakdown see page 297)	NP	DE
	556732	System Installation—Methyl bromide fire extinguisher complete, LH (For detail breakdown see page 297)	NP	DE
	556732-1	System Installation—Methyl bromide fire extinguisher complete, RH (For detail breakdown see page 297)	NP	DE
	560762	System Installation—Auxiliary power plant fire extinguisher LH (For detail breakdown see page 297)	NP	DE
	560762-1	System Installation—Auxiliary power plant fire extinguisher RH (For detail breakdown see page 297)	NP	DE
	561168	Installation—Heat detectors LH (For detail breakdown see page 306)	NP	DE
	561168-1	Installation—Heat detectors RH (For detail breakdown see page 306)	NP	DE
	551250	Furnishings Installation (For detail breakdown see page 299)	NP	ALL
	551080	Equipment Installation—Miscellaneous loose (For detail breakdown see page 305)	NP	X
	251084	List—Diagrams	NP	DE
	256489	List—Diagrams	NP	X
	451050	List—Instruments installation complete	NP	DE
	457541	List—Instruments installation complete	NP	ALL
	455019	List—Oxygen equipment installation complete	NP	ALL
	451085	Markings Installation—Complete fixed	NP	ALL
	455737	Markings Installation—Complete removable	NP	X
	154973	Diagrams—Electrical service	NP	DE
	157194	Diagrams—Electrical service	NP	ALL
	259503	List—Special tools and ground handling equipment	NP	QR
	560000	Radar Installation—Complete electrical (For detail breakdown see page)	NP	QR

OUTER WING GROUP

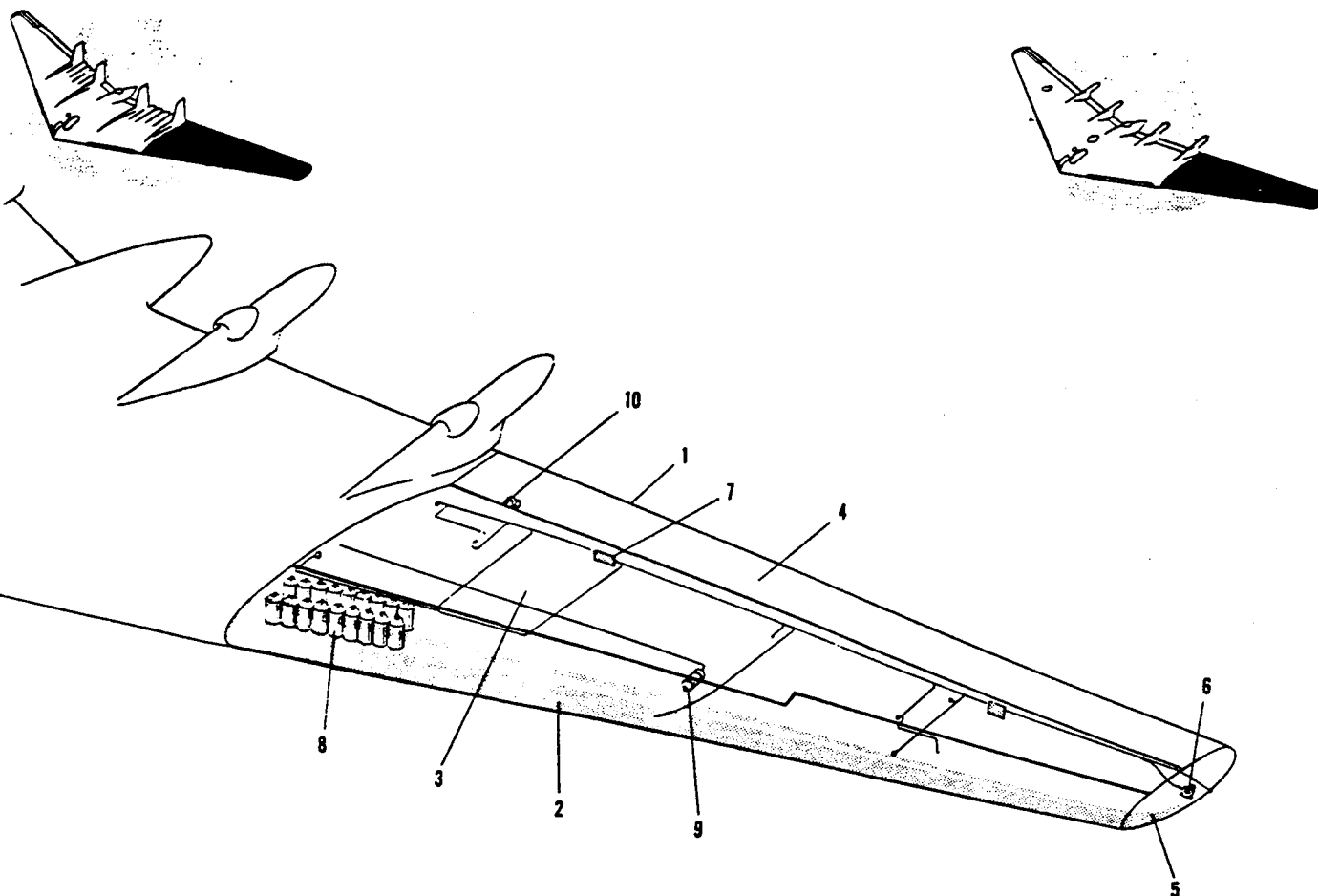


FIGURE 2—OUTER WING INSTALLATION

OUTER WING INSTALLATION

FIGURE & INDEX NUMBER	PART NUMBER	NOMENCLATURE	UNITS PER ASSEM	USAGE CODE
		1 2 3 4 5 6 7		
	599011	Wing Installation—Outer LH (For next assembly see page 13).....	NP	ALL
	599012	Wing Installation—Outer RH (For next assembly see page 13).....	NP	ALL
2 - 1	599001	Wing Assembly—Outer LH.....	NP	ALL
	599002	Wing Assembly—Outer RH.....	NP	ALL
2	599013	Leading Edge Installation—Outer wing LH (For detail breakdown see page 15).....	NP	ALL
	599014	Leading Edge Installation—Outer wing RH (For detail breakdown see page 15).....	NP	ALL
3	599021	Center Section Assembly—Outer wing LH (For detail breakdown see page 17).....	NP	ALL
	599022	Center Section Assembly—Outer wing RH (For detail breakdown see page 17).....	NP	ALL
4	599025	Trailing Edge Installation—Outer wing LH (For detail breakdown see page 18).....	NP	ALL
	599026	Trailing Edge Installation—Outer wing RH (For detail breakdown see page 18).....	NP	ALL
5	599035	Tip Installation—Wing LH (For detail breakdown see page 20).....	NP	ALL
	599036	Tip Installation—Wing RH (For detail breakdown see page 20).....	NP	ALL
6	551094	Instrument Installation—Outer wing (For detail breakdown see page 20).....	NP	ALL
7	551162	Electrical Installation—Outer wing LH (For detail breakdown see page 21).....	NP	ALL
	551162-1	Electrical Installation—Outer wing RH (For detail breakdown see page 21).....	NP	ALL
8	558923	System Installation—Outer wing fire extinguisher LH (For detail breakdown see page 23).....	NP	W
	558923-1	System Installation—Outer wing fire extinguisher RH (For detail breakdown see page 23).....	NP	W
	560195	System Installation—Methylbromide fire extinguisher LH (For detail breakdown see page 23).....	NP	G-R
	560195-1	System Installation—Methylbromide fire extinguisher RH (For detail breakdown see page 23).....	NP	G-R
9	551092	Oxygen Equipment Installation—Outer wing LH (For detail breakdown see page 24).....	NP	ALL
	551092-1	Oxygen Equipment Installation—Outer wing RH (For detail breakdown see page 24).....	NP	ALL
	552171	Markings Installation—Outer wing fixed structure exterior LH.....	NP	ALL
	552171-1	Markings Installation—Outer wing fixed structure exterior RH.....	NP	ALL
	552169	Markings Installation—Outer wing fixed structure interior LH.....	NP	ALL
	552169-1	Markings Installation—Outer wing fixed structure interior RH.....	NP	ALL
10	552198	Bracket Installation—Wing sta 439.5 flight control aft pulley LH.....	NP	DE
	552198-1	Bracket Installation—Wing sta 439.5 flight control aft pulley RH.....	NP	DE
	560579	Lines Installation—Outer wing pitot static system (RH only) (For detail breakdown see page 295).....	NP	X
	560697	Lines Installation—Outer wing pitot static system (LH only) (For detail breakdown see page 295).....	NP	DE

OUTER WING GROUP

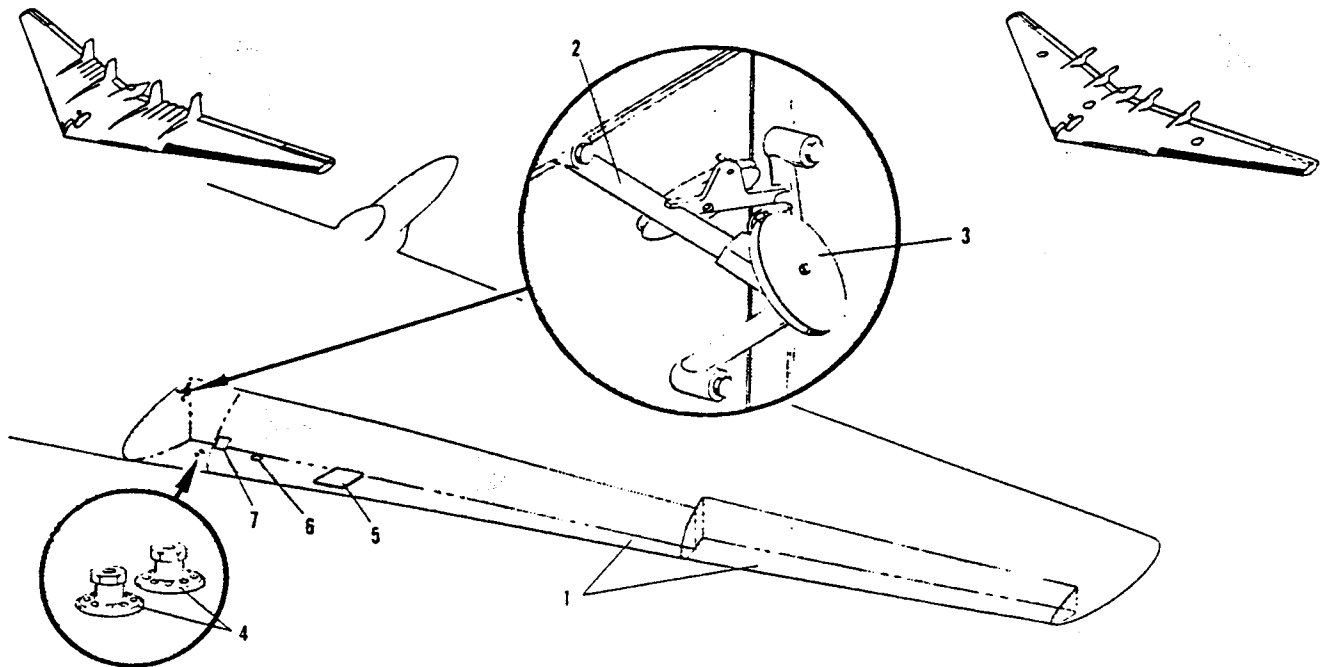


FIGURE 3—OUTER WING LEADING EDGE

OUTER WING LEADING EDGE

FIGURE & INDEX NUMBER	PART NUMBER	1	2	3	4	5	6	7	NOMENCLATURE	UNITS PER ASSEM	USAGE CODE
3 - 1	599013								Leading Edge Installation—Outer wing LH (For next assembly see page 14)	NP	ALL
	599014								Leading Edge Installation—Outer wing RH (For next assembly see page 14)	NP	ALL
	599015								Leading Edge Assembly—Outer wing LH	NP	ALL
	599016								Leading Edge Assembly—Outer wing RH	NP	ALL
	599017								Structure Assembly—Outer wing leading edge inboard LH	NP	ALL
	599018								Structure Assembly—Outer wing leading edge inboard RH	NP	ALL
	599017-100								Structure Assembly—Outer wing leading edge LH	1	ALL
	599018-100								Structure Assembly—Outer wing leading edge RH	1	ALL
	597323								Duct Assemblies—Canted wing sta 400 to 567 anti-icing LH	NP	ALL
	597324								Duct Assemblies—Canted wing sta 400 to 567 anti-icing RH	NP	ALL
	597575								Duct Installation and Assembly—Wing sta 400 to canted sta 400 transition LH	NP	X
	597576								Duct Installation and Assembly—Wing sta 400 to canted sta 400 transition RH	NP	X
	597383								Duct Assemblies—Canted wing sta 567 to 731 anti-icing LH	NP	ALL
	597384								Duct Assemblies—Canted wing sta 567 to 731 anti-icing RH	NP	ALL
	579695								Duct Installation—Outer wing engine ram air and cooling air LH (For detail breakdown see page 232)	NP	DE
579696								Duct Installation—Outer wing engine ram air and cooling air RH (For detail breakdown see page 232)	NP	X	
558831								Brackets Installation—Jet bay #1 throttle controls LH only	NP	DE	
2	558831-22							Bracket Assembly—Jet bay #1 throttle control	1	DE	
3	AN210-21							Pulley—Control	2	DE	
Attaching Parts											
	AN3-7A								Bolt—Aircraft 10-32	1	DE
	AN3-13A								Bolt—Aircraft 10-32	2	DE
	AN3-14A								Bolt—Aircraft 10-32	1	DE
	AN3-15A								Bolt—Aircraft 10-32	1	DE
	AN365-1032								Nut—Self locking	3	DE
	558827								Brackets Installation—Jet bay #8 throttle controls RH only	NP	DE
	558827-2								Bracket Assembly—Jet bay #8 throttle controls	1	DE
	AN210-2A								Pulley—Control	2	DE
	558905								Support Installation—Outer wing methyl bromide cylinder LH	NP	DE
4	2CD-5945								Indicator—(ALF)	2	DE
5	597699								Door Assembly—Lower surface sta 501.0 to 523.0 gas tank access LH	1	ALL
	597700								Door Assembly—Lower surface sta 501.0 to 523.0 gas tank access RH	1	ALL
Attaching Parts											
	NAS206-10								Screw—Flat head machine	47	ALL
	NAS206-12								Screw—Flat head machine	7	ALL
	NAS206-11								Screw—Flat head machine	23	ALL
6	458711								Door Assembly—Outer wing center rib sta 444.9 filter access	1	DE
7	No Number								Door Assembly—Outer wing leading edge (See Northrop EO 39388-6 on Northrop Drawing 599017 and 599018)	1	DE
	NAS205-9								Screw—Flat head machine	34	DE

RESTRICTED
AN 01-15EAA-4
OUTER WING GROUP

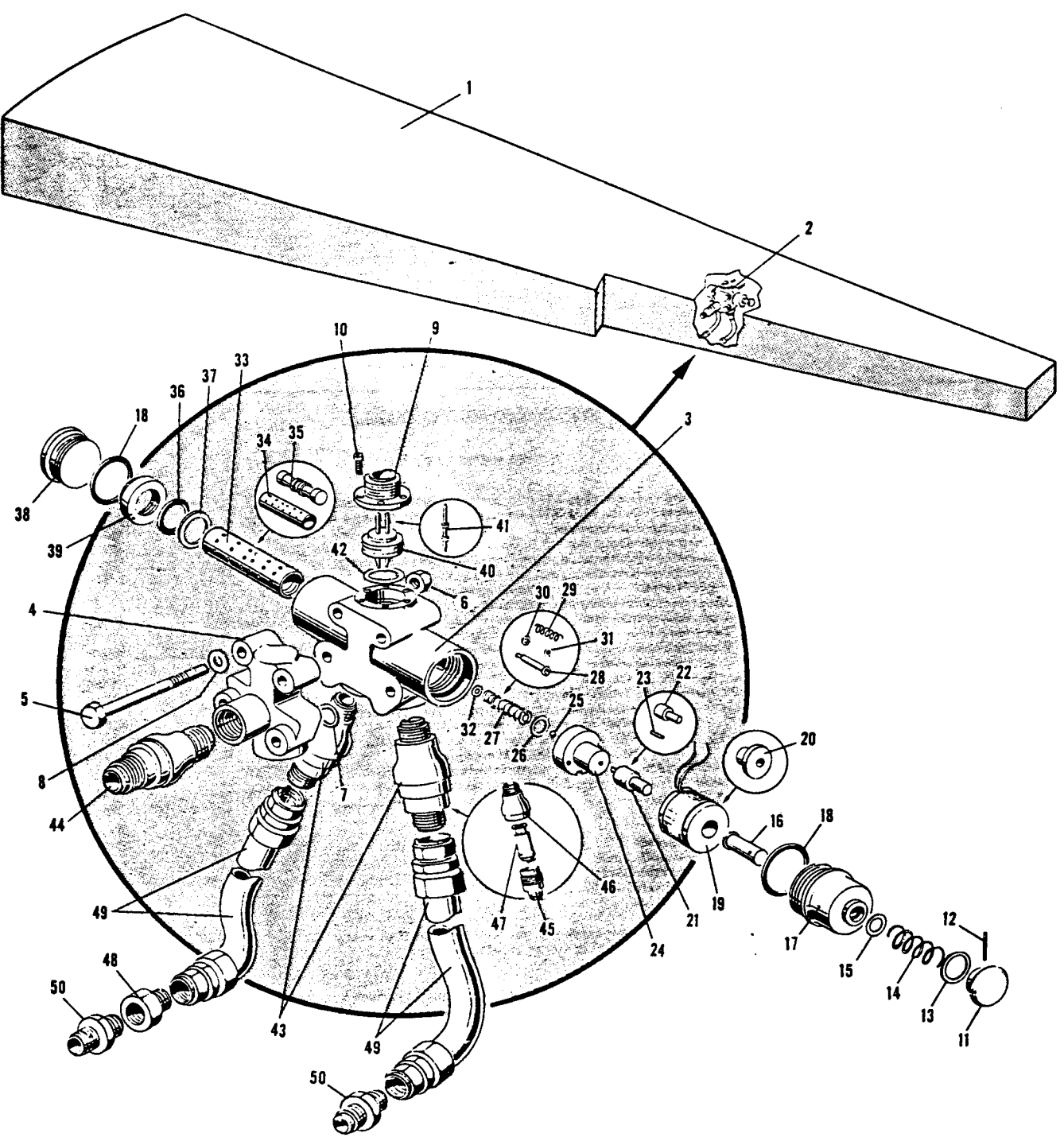


FIGURE 4—OUTER WING CENTER SECTION

RESTRICTED

OUTER WING GROUP
OUTER WING CENTER SECTION

FIGURE &
INDEX
NUMBER

4 - 1

PART NUMBER

NOMENCLATURE

UNITS
PER
ASSEM

USAGE
CODE

FIGURE & INDEX NUMBER	PART NUMBER	NOMENCLATURE	UNITS PER ASSEM	USAGE CODE
		2 3 4 5 6 7		
	599021	Center Section Assembly—Outer wing LH (For next assembly see page 14)	NP	ALL
	599022	Center Section Assembly—Outer wing RH (For next assembly see page 14)	NP	ALL
	599023	Structure Assembly—Outer wing center section LH	NP	ALL
	599024	Structure Assembly—Outer wing center section RH	NP	ALL
	560-33	Jack Pad Installation—Outer wing sta 766 limit load	NP	DE
	560-06	Jack Pad Assembly—Outer wing sta 766 limit load	1	DE
	AN6246-33	Ring—Hydraulic Packing backing up	2	DE
	AN6227-33	Ring—"O" ring hydraulic	1	DE
	AN5771-7A	Gage—Single 1-7/8 dial pressure	1	DE
	No Number	Marker—Danger range type 2 (spec. 17012)	1	DE
	560403-2	Tube Assembly—Limit load jack pad	1	DE
	551152	Hydraulic Installation—Outer wing center section LH	NP	X
	551152-1	Hydraulic Installation—Outer wing center section RH	NP	DE
	557702	Hydraulic Installation—Outer wing center section LH	NP	DE
	557702-1	Hydraulic Installation—Outer wing center section RH	NP	ALL
	555451	Lines Installation—Slot door cylinder LH	NP	ALL
	555451-1	Lines Installation—Slot door cylinder RH	NP	ALL
	553523	Lines Installation—Wing sta 400 to 662 elevator and rudder cylinder LH	NP	ALL
	553523-1	Lines Installation—Wing sta 400 to 662 elevator and rudder cylinder RH	NP	ALL
	558218	Lines Installation—Wing sta 662 to 970 rudder cylinder hydraulics LH	NP	ALL
	558218-1	Lines Installation—Wing sta 662 to 970 rudder cylinder hydraulics RH	NP	DE
	556450	Lines Installation—Wing sta 440.5 center rib LH	NP	DE
	556450-1	Lines Installation—Wing sta 440.5 center rib RH	NP	DE
	555316	Valve Installation—Slot door cylinder LH	NP	ALL
	555316-1	Valve Installation—Slot door cylinder RH	NP	ALL
2	558393	Valve Assembly—Filter and slot door LH	1	ALL
	558393-1	Valve Assembly—Filter and slot door RH	1	ALL
	558509	Valve Assembly—Electric four way LH	1	ALL
	558509-1	Valve Assembly—Electric four way RH	1	ALL
3	558510	Housing Assembly—Electric four way valve	1	ALL
4	558511	Cap Assembly—Electric four way valve	1	ALL
5	258536	Bolt—Electric four way valve mounting	4	ALL
6	AN364-428	Nut—Self locking thin	4	ALL
7	AN6227B9	Packing—"O" ring hydraulic	3	ALL
8	AN960-416L	Washer—Plain	8	ALL
9	458524	Receptacle Assembly—Electric four way valve	1	ALL
10	AN502-6-6	Screw—Drilled fillister head machine (fine thread)	6	ALL
11	258528	Knob—Electric four way valve manual control	1	ALL
12	158529	Pin—Electric four way valve knob	1	ALL
13	AN6227B11	Packing—"O" hydraulic	1	ALL
14	158530	Spring—Electric four way valve manual control	1	ALL
15	AN6227B7	Packing—"O" ring hydraulic	1	ALL
16	258531	Rod—Electric four way valve manual control	1	ALL
17	458533	Cap—Electric four way valve solenoid	1	ALL
18	AN6227B25	Packing—"O" ring hydraulic	2	ALL
19	458523	Coil Assembly—Electric four way valve	1	ALL
20	258527	Washer—Electric four way valve solenoid	1	ALL
21	258519	Core Assembly—Electric four way valve solenoid	1	ALL
22	258520	Core—Electric four way valve solenoid	1	ALL
23	258521	Rod—Electric four way valve solenoid push	1	ALL
24	458522	Retainer Assembly—Electric four way valve	1	ALL
25	No Number	Ball—Steel .125 diameter	1	ALL
26	158532	Washer—Electric four way valve shuttle stop	1	ALL
27	258515	Seat Assembly—Electric four way valve pilot valve	1	ALL
28	458516	Seat—Electric four way valve pilot valve	1	ALL
29	158518	Spring—Electric four way valve pilot valve	2	ALL
30	258517	Washer—Electric four way valve pilot valve	1	ALL
31	AN6246-1	Ring—Hydraulic packing backing up	1	ALL
32	AN6227B1	Packing—"O" ring hydraulic	1	ALL
33	258512	Shuttle and Sleeve Assembly—Electric four way valve	1	ALL
34	458514	Sieve—Electric four way valve	1	ALL
35	458513	Shuttle—Electric four way valve	6	ALL
36	AN6226B14	Packing—"O" ring hydraulic	6	ALL
37	AN6246-14	Packing—Hydraulic packing backing up	1	ALL
38	458534	End—Electric four way valve housing	1	ALL
39	258535	Plug—Electric four way valve sleeve	1	ALL
40	458525	Pin Assembly—Electric four way valve contactor	1	ALL
41	258526	Pin—Electric four way valve contactor	1	ALL
42	AN6227B10	Packing—"O" ring hydraulic	2	ALL
43	458394-2	Filter Assembly—3 GPM hydraulic	1	ALL
44	458394-4	Filter Assembly—3 GPM hydraulic	1	ALL
45	458395-2	Body—3 GPM hydraulic	1	ALL
	458395-4	Body—3 GPM hydraulic	1	ALL
46	458296	Cap—3 GPM hydraulic filter	1	ALL
47	27468	Element—(PUP)	1	ALL
48	221366	Restrictor—Nose landing gear fixed	1	ALL
49	AN6274-6-30	Hose Assembly—Detachable end fitting type	2	ALL
50	AN815-6	Union—Flared tube	2	ALL

OUTER WING GROUP

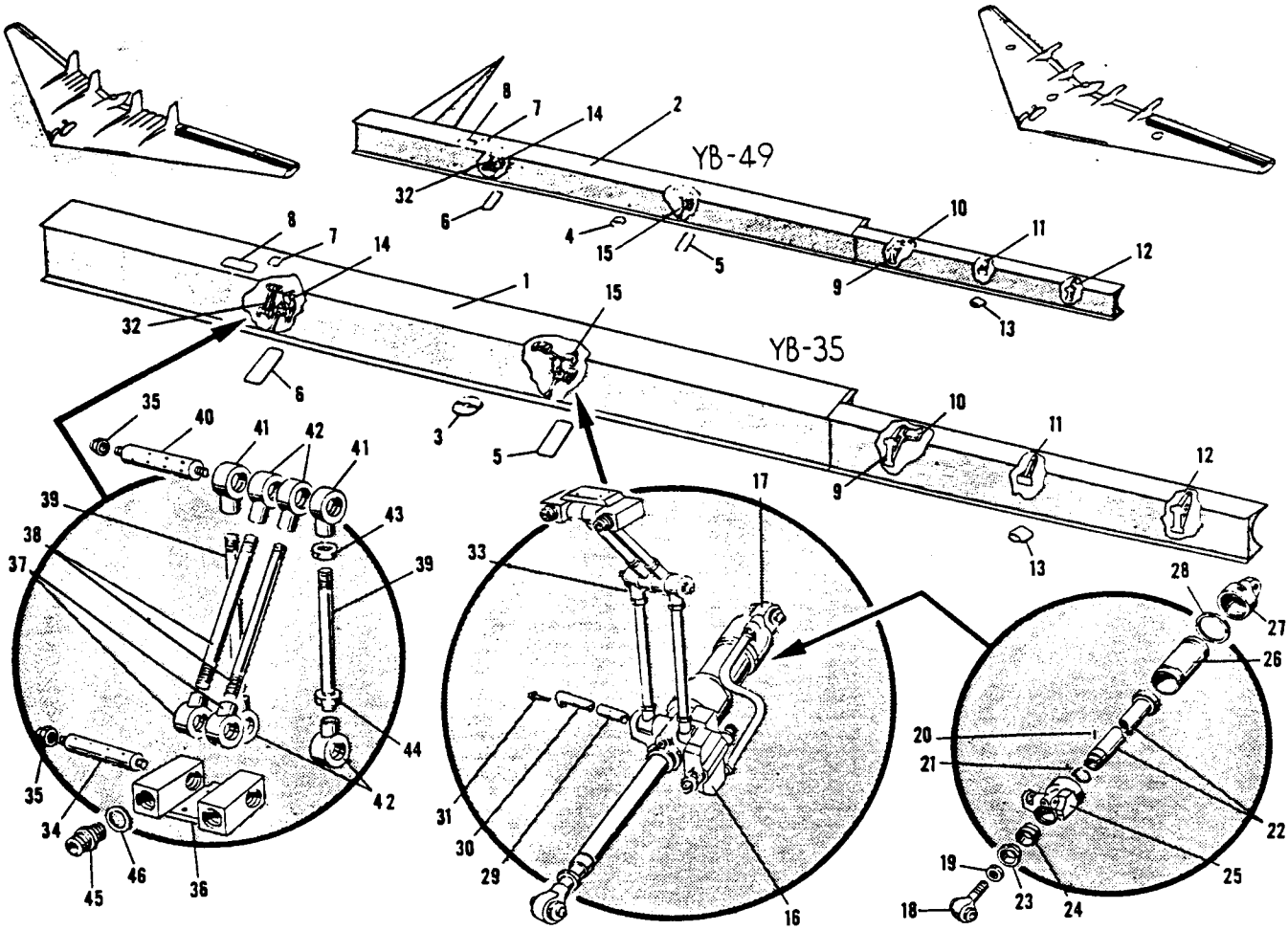


FIGURE 5—OUTER WING TRAILING EDGE

OUTER WING TRAILING EDGE

FIGURE & INDEX NUMBER	PART NUMBER	1	2	3	4	5	6	7	NOMENCLATURE	UNITS PER ASSEM	USAGE CODE
5 - 1	599025								Trailing Edge Installation—Outer wing LH (For next assembly see page 14)	NP	ALL
	599026								Trailing Edge Installation—Outer wing RH (For next assembly see page 14)	NP	ALL
	599027								Trailing Edge Assembly—Outer wing LH	NP	ALL
	599028								Trailing Edge Assembly—Outer wing RH	NP	X
	599029								Structure Assembly—Outer wing trailing edge inboard LH	NP	X
	599030								Structure Assembly—Outer wing trailing edge inboard RH	NP	X
	No Number								Structure Assembly—Outer wing trailing edge inboard LH (See Northrop EO 42964-52, Drawing 599029)	NP	DE
	No Number								Structure Assembly—Outer wing trailing edge inboard RH (See Northrop EO 42964-53, Drawing 599030)	NP	DE
	2	599029-610							Door Assembly—Trailing edge inboard	6	X
	No Number								Door Assembly—(See Northrop EO 42964-40, Drawing 599029)	1	DE
	Attaching Parts										
	20F11								Crank Assembly—Spider fastener	6	DE
4	599029-601								Door—Lower access LH	2	ALL
	NAS205-9								Screw—100° flush head Phillips recess 10-32	8	ALL
5	599029-13								Door—Elevon sta 259 to 131 LH	1	ALL
	599030-13								Door—Elevon sta 259 to 131 RH	1	ALL
6	599029-9								Door—Elevon sta 125 to 589 LH	1	ALL
	599030-9								Door—Elevon sta 125 to 589 RH	1	ALL
	Attaching Parts										
	99840-1-090								Fastener (UC)	34	ALL
	99785-2								Fastener (UC)	34	ALL
	99871C098								Fastener (UC)	34	ALL
7	599029-640								Door Assembly—Elevon sta 125.589	1	ALL
	599029-660								Door Assembly—Elevon sta 125.589	1	ALL
	99840-2-090								Stud—(UC)	14	ALL
	99785-2								Pin—(UC)	14	ALL

OUTER WING GROUP
OUTER WING TRAILING EDGE

FIGURE & INDEX NUMBER	PART NUMBER	1	2	3	4	5	6	NOMENCLATURE	UNITS PER ASSEM	USAGE CODE
5 - 8	599029-650	Door Assembly—Elevon sta 122.089	1	ALL
	ANS07-1032-8	Screw—100° flat head machine coarse and fine thread	27	ALL
	599031	Structure Assembly—Outer wing trailing edge outboard LH	NP	ALL
	599032	Structure Assembly—Outer wing trailing edge outboard RH	NP	ALL
	597753	Bracket Assembly—Wing sta 840.25 trim flap hinge LH	1	ALL
9	597754	Bracket Assembly—Wing sta 840.25 trim flap hinge RH	1	ALL
	Attaching Parts									
10	AN4-11	Bolt—Aircraft 1 4-28	2	ALL
	AN5-14	Bolt—Aircraft 5 16-24	2	ALL
	AN5-12	Bolt—Aircraft 5 16-24	2	ALL
	AN365-428	Nut—Self locking	2	ALL
	AN365-524	Nut—Self locking	4	ALL
	553550	Bracket Installation—Wing sta 840.25 aft rudder pulley LH	NP	ALL
	553550-1	Bracket Installation—Wing sta 840.25 aft rudder pulley RH	NP	ALL
	553550-14	Bracket Assembly—Welded LH	1	ALL
	553550-15	Bracket Assembly—Welded RH	1	ALL
	Attaching Parts									
11	AN4-15A	Bolt—Aircraft 1 4-28	1	ALL
	AN365-428	Nut—Self locking	1	ALL
	AN3-11A	Bolt—Aircraft 10-32	2	ALL
	AN365-1032	Nut—Self locking	2	ALL
	AN210-4A	Pulley—Anti-friction bearing control	2	ALL
12	498203	Bracket Assembly—Wing sta 919.26 trim flap hinge LH	1	ALL
	498204	Bracket Assembly—Wing sta 919.26 trim flap hinge RH	1	ALL
13	597757	Bracket Assembly—Wing sta 1000.27 trim flap hinge LH	1	ALL
	597758	Bracket Assembly—Wing sta 1000.27 trim flap hinge RH	1	ALL
14	599031-605	Door Assembly—Wing sta 919.260	1	ALL
	551158	Hydraulics Installation—Outer wing trailing edge LH	NP	ALL
	551158-1	Hydraulics Installation—Outer wing trailing edge RH	NP	ALL
	553787	Cylinder Installation—Inboard elevon servo valve and LH	NP	ALL
	553788-1	Cylinder Installation—Inboard elevon servo valve and RH	NP	ALL
	553788	Cylinder Installation—Outboard elevon servo valve and LH	NP	ALL
	553788-1	Cylinder Installation—Outboard elevon servo valve and RH	NP	ALL
	E8543L	Valve Assembly LH (VI)	1	ALL
	E8545R	Valve Assembly RH (VI)	1	ALL
	Attaching Parts									
17	AN74A13	Bolt—Aircraft drilled 1/4	3	ALL
	252850	Fork—Rudder and elevon servo valve operating	1	ALL
	AN316-6R	Nut—Aircraft check	1	ALL
	557835	Cylinder Assembly—Elevon actuating LH	1	ALL
	557835-1	Cylinder Assembly—Elevon actuating RH	1	ALL
Attaching Parts										
18	NAS58-31	Bolt—Close tolerance	1	ALL
	NAS58-27	Bolt—Close tolerance	1	ALL
	AN310-8	Nut—Aircraft castle	2	ALL
	158540	Spacer—Elevon cylinder alignment thick	4	ALL
	158539	Spacer—Elevon cylinder alignment thick	2	ALL
	257838	Eyebolt Assembly—Elevon cylinder	1	ALL
	AN316-12R	Nut—Aircraft check	1	ALL
	157847	Pin—Elevon cylinder eyebolt locking	1	ALL
	157848	Ring—Elevon cylinder snap	1	ALL
	457839	Rod Assembly—Elevon cylinder piston	1	ALL
	257846	Nut—Elevon cylinder bushing retainer	1	ALL
	257845	Bushing—Elevon cylinder piston rod	1	ALL
	557837	Cap—Elevon cylinder rod end LH	1	ALL
	557837-1	Cap—Elevon cylinder rod end RH	1	ALL
	257843	Barrel—Elevon cylinder	1	ALL
	557836	Cap Assembly—Elevon cylinder bearing end LH	1	ALL
	557836-1	Cap Assembly—Elevon cylinder bearing end RH	1	ALL
	257844	Nut—Elevon cylinder barrel lock	2	ALL
	253039	Pivot—Elevon cylinder swivel fitting	1	ALL
	252848	Pivot—Cylinder swivel fitting	1	ALL
	AN503-10-3	Screw—Drilled fillister head machine coarse thread	1	ALL
	553781-4	Swivel Assembly—Elevon cylinder (on 553787 & 553788-1)	1	ALL
	553781-2	Swivel Assembly—Elevon cylinder (on 553788 & 553788-1)	1	ALL
	253785	Pivot Assembly—Elevon cylinder swivel upper	1	ALL
	AN310-3	Nut—Aircraft castle	2	ALL
	452786	Support—Elevon cylinder swivel	1	ALL
	253366	Fitting—Rudder cylinder swivel inner tube end	2	ALL
	253782-2	Tube—Elevon cylinder swivel (4 on 553781-2 & 2 on 553781-4)	4	ALL
	253782-4	Tube—Elevon cylinder swivel (2 on 553781-4)	2	ALL
	253784	Pivot Assembly—Elevon cylinder swivel	1	ALL
AN6227A11	Packing—"O" ring hydraulic	16	ALL	
253783-4	Fitting—Elevon cylinder swivel end	2	ALL	
253783-2	Fitting—Elevon cylinder swivel end	4	ALL	
AN924-6	Nut—Flared tube universal	4	ALL	
AN6227-9	Packing—"O" ring hydraulic	4	ALL	
254930	Nut—left hand thread hydraulic fitting	4	ALL	
AN6227-8	Packing—"O" ring hydraulic	2	ALL	
AN815-10	Union—Flared tube	2	ALL	
AN902-10	Gasket—Flared tube universal fitting	2	ALL	

RESTRICTED
AN 01-15EAA-4
OUTER WING GROUP

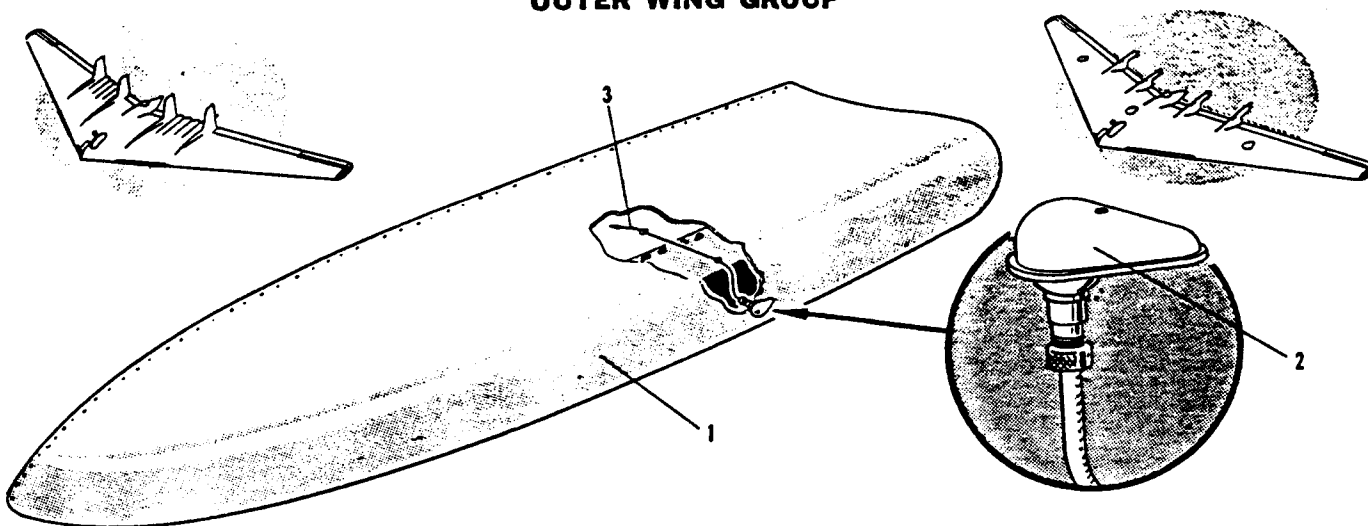


FIGURE 6—WING TIP INSTALLATION

WING TIP INSTALLATION

FIGURE & INDEX NUMBER	PART NUMBER	1	2	3	4	5	6	7	NOMENCLATURE	UNITS PER ASSEM	USAGE CODE
6	599035								Tip Installation—Wing LH (For next assembly see page 14)	NP	ALL
	599036								Tip Installation—Wing RH (For next assembly see page 14)	NP	ALL
	599039								Tip Assembly—Wing LH	1	ALL
	599040								Tip Assembly—Wing RH	1	ALL
	599037								Structure Assembly—Wing tip LH	1	ALL
	599038								Structure Assembly—Wing tip RH	1	ALL
	554386								Electrical Installation—Wing tip LH	NP	ALL
	554386-1								Electrical Installation—Wing tip RH	NP	ALL
	AN3033-7								Lamp Assembly—Wing position wing tip LH (GFP) (AER 42-4200)	2	ALL
	AN505-6R8								Screw—8 ² flat head self tapping machine	3	ALL
	456878								Cable Assembly—Wing tip light to disconnect	1	ALL
	666-1								Clip—(AP)	2	ALL
	AN515-8R7								Screw—Round head coarse thread	2	ALL
	AN365-832								Nut—Self locking	2	ALL

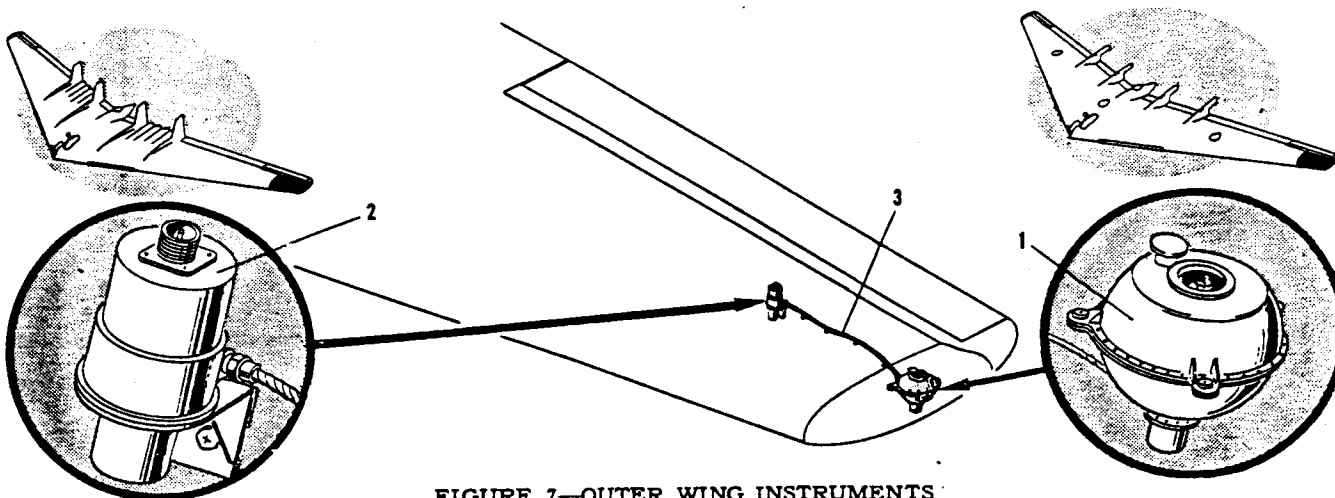


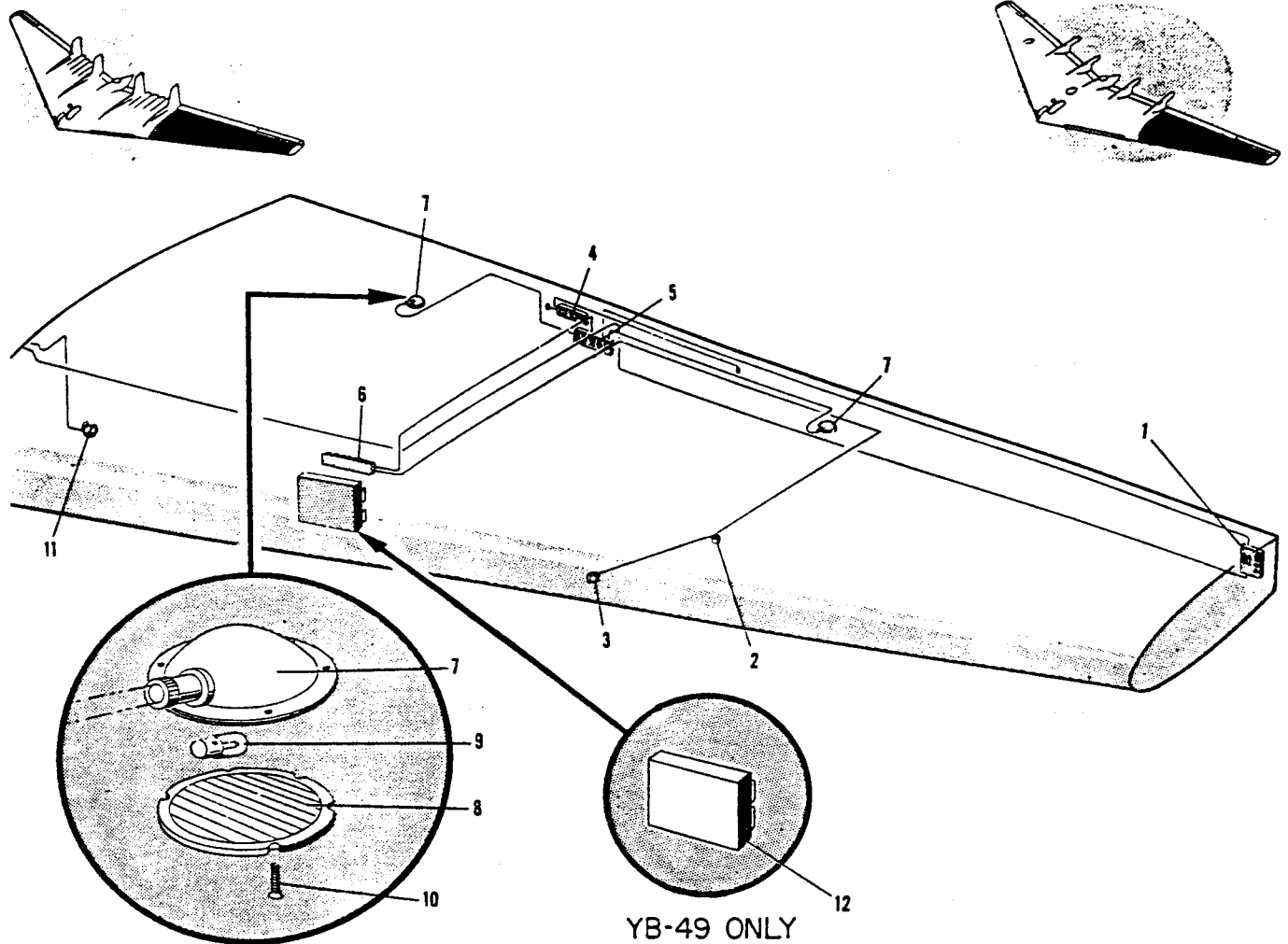
FIGURE 7—OUTER WING INSTRUMENTS

OUTER WING INSTRUMENTS

FIGURE & INDEX NUMBER	PART NUMBER	1	2	3	4	5	6	7	NOMENCLATURE	UNITS PER ASSEM	USAGE CODE
7	551094								Instrument Installation—Outer wing LH only (For next assembly see page 14)	NP	ALL
	AN5751-1A								Transmitter—Gyroflux gate compass (GFP) (AER 60-1355)	1	ALL
	AN5754-2								Motor—Caging (GFP) (AER 60-1365)	1	ALL
	AN5757-4								Shaft—Remote electrically operated caging drive flexible for gyroflux gate compass	1	ALL
	AN742D6C								Clip—Loop type tube	5	ALL
	AN515B8R7								Screw—Round head coarse thread	5	ALL
	AN365B832								Nut—Self locking	5	ALL

RESTRICTED
AN 01-15EAA-4
OUTER WING GROUP

Section II
Group Assembly Parts List



YB-49 ONLY
FIGURE 8—OUTER WING ELECTRICAL

OUTER WING ELECTRICAL

FIGURE & INDEX NUMBER	PART NUMBER	1	2	3	4	5	6	7	NOMENCLATURE	UNITS PER ASSEM	USAGE CODE
'8 - 1	551162	Electrical Installation—Outer wing LH (For next assembly see page 14).....							NP	ALL	
	553293	Panel Assembly—Wing sta 870 rear spar A.C. sectionalizing LH.....							1	ALL	
	553293-1	Panel Assembly—Wing sta 870 rear spar A.C. sectionalizing RH.....							1	ALL	
2	F3H1	Base—Limiter (BE).....							3	ALL	
	F3H2	Base—Limiter (BE).....							1	ALL	
	F1L20	Limiter—Three phase (BE).....							3	ALL	
	F1L30	Limiter—Three phase (BE).....							3	ALL	
	F1L50	Limiter—Three phase (BE).....							3	ALL	
	9565H6	Relay—Type 648 (CUT).....							1	ALL	
	9565H12	Relay—Type 652 (CUT).....							1	ALL	
	555138	Switch Installation—Automatic slot door control LH.....							NP	ALL	
	555138-1	Switch Installation—Automatic slot door control RH.....							NP	ALL	
	26000	Switch—Pressure (SCW).....							1	ALL	
	555181	Line Assembly—Automatic slot door control switch.....							NP	ALL	
	Attaching Parts										
3	755-4-2-6	Clip—(AP).....							2	ALL	
	735-4-2-6	Clip—(AP).....							2	ALL	
3	CR2992A105A1	Element—Thermosensitive (GE).....							1	ALL	
4	457662	Panel Assembly—Elevon control relay.....							1	ALL	
	B303	Terminal Assembly—Bee (BRH).....							1	ALL	
	6041H21	Relay—(CUT).....							1	ALL	
	1257-563	Relay—(LR).....							2	ALL	
	NAS211-8	Screw—Round head machine.....							4	ALL	
5	553472	Panel Assembly—Wing sta 560 rear spar relay and A.C. sectionalizing complete LH.....							1	X	
	553472-1	Panel Assembly—Wing sta 560 rear spar relay and A.C. sectionalizing complete RH.....							1	X	
	F3H1	Base—Limiter (BE).....							5	X	
	F1L30	Limiter—Three phase (BE).....							12	X	
	F1L10	Limiter—Three phase (BE).....							3	X	

Section II
Group Assembly Parts List

RESTRICTED
AN 01-15EAA-4

OUTER WING GROUP
OUTER WING ELECTRICAL

FIGURE & INDEX NUMBER	PART NUMBER	1	2	3	4	5	6	7	NOMENCLATURE	UNITS PER ASSEM	USAGE CODE
	AN531-8R10								Screw—Sheet metal flat head	10	X
	9565H5								Relay—Type 647 (CUT)	1	X
	AN515-8R10								Screw—Round head coarse thread	4	X
8 - 6	553458								Panel Assembly—Wing sta 523 front spar AC sectionalizing complete LH	1	X
	553458-1								Panel Assembly—Wing sta 523 front spar AC sectionalizing complete RH	1	X
	F3H1								Base—Limiter (BE)	8	X
	F1L20								Limiter—Three phase (BE)	12	X
	F1L30								Limiter—Three phase (BE)	12	X
	AN531-8-10								Screw—Sheet metal flat head	16	X
7	ANJ030-9								Light Assembly—Circular formation (AN-L-12) (GFP) (AER 43-4400)	2	ALL
8	AN3040-1								Cover—Circular formation light (AN-C-79) (GFP)	2	ALL
9	ANJ121-3								Lamp Assembly—T3 1.4 bulb (W-L-11) (GFP)	2	ALL
10	PK77XZ4-10								Screw—(PK)	10	ALL
11	AN3095-3								Light Assembly—Electrically retractable landing (AN-L-11) (GFP) (AER42-4100)	1	ALL
12	AN531-6R8								Screw—Sheet metal flathead	15	ALL
	557183								Panel Assembly—Outer wing fuel system relay complete LH	1	DE
	557183-1								Panel Assembly—Outer wing fuel system relay complete RH	1	DE
	F3H1								Base—Limiter (BE)	7	DE
	F1L10								Limiter—Three phase (BE)	12	DE
	F1L30								Limiter—Three phase (BE)	14	DE
	AN531-8R10								Screw—Sheet metal flathead	3	DE
	9565H6								Relay—Type 648 (CUT)	8	DE
	9565H5								Relay—Type 647 (CUT)	44	DE
	AN515-8R12								Screw—Round head machine coarse thread	1	ALL
	459068								Cable Assembly—Left hand fire extinguisher discharge valve	1	ALL
	459069								Cable Assembly—Right hand fire extinguisher discharge valve	1	ALL
	450843								Cable Assembly—AC sectionalizing panel wing sta 870 to trim flap transmitter	1	ALL
	454811								Cable Assembly—AC sectionalizing panel wing sta 870 to LH wing tip position light	1	ALL
	454812								Cable Assembly—Left hand outer wing fuel relay and sectionalizing panel to #1 main fuel tank	1	ALL
	454866								Cable Assembly—AC sectionalizing panel wing sta 550 rear spar to engine #1 main tank fuel pump	1	X
	454867								Cable Assembly—AC sectionalizing panel wing sta 560 rear spar to engine #4 main tank fuel pump	1	X
	458018								Cable Assembly—Left hand outer wing fuel relay and sectionalizing panel to #1 main fuel tank	1	DE
	458019								Cable Assembly—Right hand outer wing fuel relay and sectionalizing panel to #1 main fuel tank	1	DE
	458020								Cable Assembly—Left hand outer wing fuel relay and sectionalizing panel to #4 main fuel tank	1	DE
	458021								Cable Assembly—Right hand outer wing fuel relay and sectionalizing panel to #4 main fuel tank	1	DE
	458022								Cable Assembly—Left hand outer wing fuel relay and sectionalizing panel to #2 engine fuel selector	1	DE
	458023								Cable Assembly—Right hand outer wing fuel relay and sectionalizing panel #7 engine fuel selector	1	DE
	458024								Cable Assembly—Left hand outer wing fuel relay and sectionalizing panel to #1 engine fuel selector	1	DE
	458025								Cable Assembly—Right hand outer wing fuel relay and sectionalizing panel to #8 engine fuel selector	1	DE
	458026								Cable Assembly—Left hand outer wing fuel relay and sectionalizing panel #1 main fuel tank	1	DE
	458027								Cable Assembly—Right hand outer wing fuel relay and sectionalizing panel to #4 main fuel tank	1	DE
	458028								Cable Assembly—Left hand outer wing fuel relay and sectionalizing panel to #5 auxiliary fuel tank	1	DE
	458029								Cable Assembly—Right hand outer wing fuel relay and sectionalizing panel to #10 auxiliary fuel	1	DE
	458030								Cable Assembly—Left hand outer wing fuel relay and sectionalizing panel to #5 auxiliary fuel	1	DE
	458031								Cable Assembly—Right hand outer wing fuel relay and sectionalizing panel to #9 auxiliary fuel tank	1	DE
	458032								Cable Assembly—Left hand outer wing fuel relay and sectionalizing panel to #5 auxiliary fuel tank	1	DE
	458033								Cable Assembly—Right hand outer wing fuel relay and sectionalizing panel to #10 auxiliary fuel	1	DE
	454870								Cable Assembly—AC sectionalizing panel wing sta 560 rear spar to LH formation light wing sta 690	1	X
	454872								Cable Assembly—AC sectionalizing panel wing sta 560 rear spar to RH formation light wing sta 690	1	X
	454264								Cable Assembly—AC sectionalizing panel wing sta 560 rear spar to LH formation light wing sta 460	1	X
	454871								Cable Assembly—AC sectionalizing panel wing sta 560 rear spar to RH formation light wing sta 460	1	X
	457675								Cable Assembly—Left hand elevon control relay panel to outboard hydraulic solenoid valve	1	ALL
	457681								Cable Assembly—Right hand elevon control relay panel to outboard hydraulic solenoid valve	1	ALL
	457683								Cable Assembly—Left hand elevon control relay panel to elevon power unit and follow-up switch	1	ALL
	456682								Cable Assembly—Right hand elevon control relay panel to elevon power unit and follow-up switch	1	ALL
	457676								Cable Assembly—Left hand elevon control relay panel to inboard hydraulic solenoid valve	1	ALL
	457680								Cable Assembly—Right hand elevon control relay panel to inboard hydraulic solenoid valve	1	ALL
	453667								Cable Assembly—AC sectionalizing panel sta 560 rear spar to AC sectionalizing panel sta 870 rear	1	X
	453662								Cable Assembly—Sectionalizing panel wing sta 870 to trim flap motor	4	DE
	458012								Cable Assembly—Left hand outer wing fuel relay and sectionalizing panel to #1 main fuel tank	1	DE
	458013								Cable Assembly—Right hand outer wing fuel relay and sectionalizing panel to #4 main fuel tank	1	DE
	458014								Cable Assembly—Left hand outer wing fuel relay and sectionalizing panel to #1 main fuel tank	1	DE
	458015								Cable Assembly—Right hand outer wing fuel relay and sectionalizing panel to #4 main fuel tank	1	DE
	458016								Cable Assembly—Left hand outer wing fuel relay and sectionalizing panel to #1 main fuel tank	1	DE
	458017								Cable Assembly—Right hand outer wing fuel relay and sectionalizing panel to #4 main fuel tank	1	DE
	458034								Cable Assembly—Left hand outer wing fuel relay and sectionalizing panel to #6 auxiliary fuel tank	1	DE
	458035								Cable Assembly—Right hand outer wing fuel relay and sectionalizing panel to #9 auxiliary fuel tank	1	DE
	458036								Cable Assembly—Left hand outer wing fuel relay and sectionalizing panel to #5 auxiliary fuel tank	1	DE
	458037								Cable Assembly—Right hand outer wing fuel relay and sectionalizing panel to #10 auxiliary fuel tank	1	DE
	458038								Cable Assembly—Left hand outer wing fuel relay and sectionalizing panel to #6 auxiliary fuel tank	1	DE
	458039								Cable Assembly—Right hand outer wing fuel relay and sectionalizing panel to #9 auxiliary fuel tank	1	DE
	458040								Cable Assembly—Left hand outer wing fuel relay and sectionalizing panel to sta 870 AC sect	4	DE
	458433								Cable Assembly—Left hand outer wing fuel relay panel to wing sta 460 formation light	1	DE
	458434								Cable Assembly—Right hand outer wing fuel relay panel to wing sta 460 formation light	1	DE
	458435								Cable Assembly—Left hand outer wing fuel relay panel to wing sta 690 formation light	1	DE
	458436								Cable Assembly—Right hand outer wing fuel relay panel to wing sta 690 formation light	1	DE
	560419								Cable Assembly—Pitot boom to inboard pitot tube	1	ALL
	560420								Cable Assembly—Pitot boom to outboard pitot tube	1	ALL
	560434								Cable Assembly—Sectionalizing panel sta 870 to pitot boom	1	ALL

RESTRICTED

OUTER WING GROUP

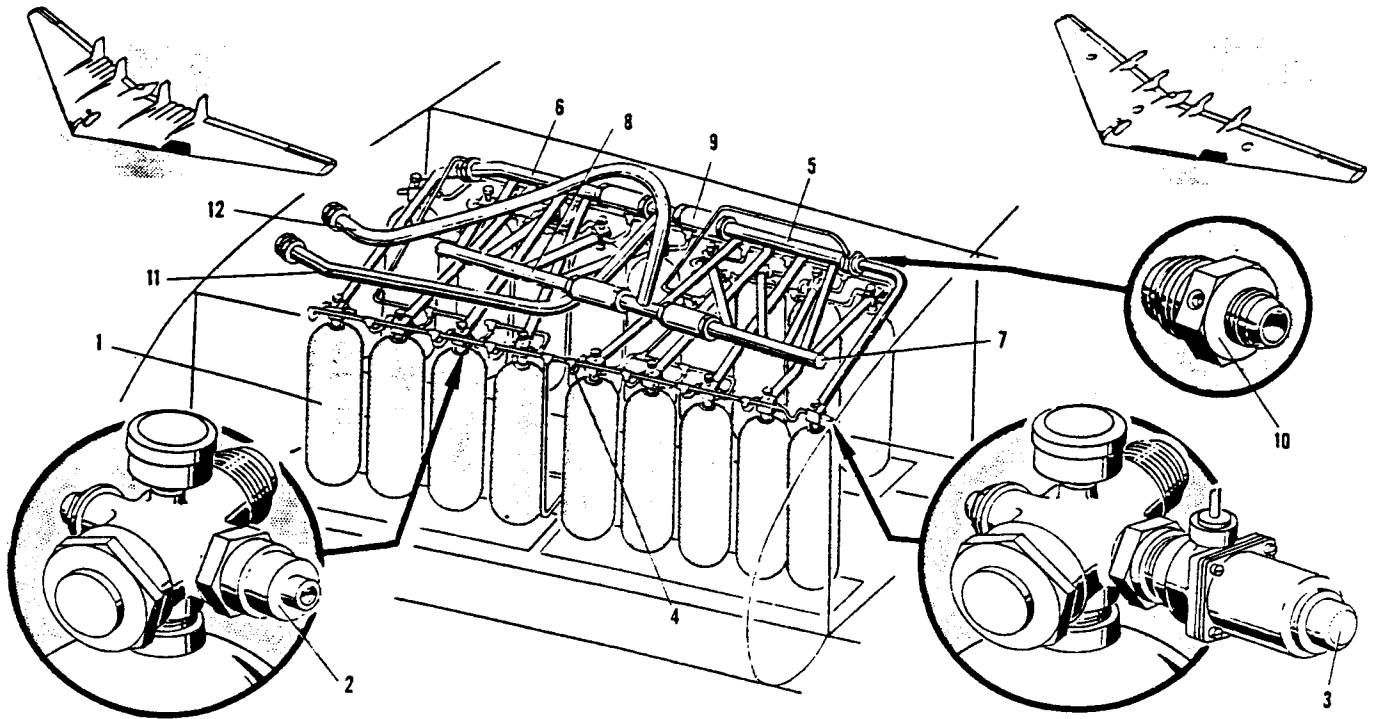


FIGURE 9—OUTER WING FIRE EXTINGUISHER SYSTEMS

OUTER WING FIRE EXTINGUISHER SYSTEM

FIGURE & INDEX NUMBER	PART NUMBER	NOMENCLATURE	UNITS PER ASSEM	USAGE CODE
		1 2 3 4 5 6 7		
	558923	System Installation—Outer wing fire extinguisher LH (For next assembly see page 14)	NP	C-F
	558923-1	System Installation—Outer wing fire extinguisher RH (For next assembly see page 14)	NP	C-F
	560195	System Installation—Outer wing methyl bromide extinguisher LH (For next assembly see page 14)	NP	G-R
	560195-1	System Installation—Outer wing methyl bromide extinguisher RH (For next assembly see page 14)	NP	G-R
9 - 1	2CD6050	Cylinder—(ALF)	18	ALL
2	2CD5936	Head—Pressure—(ALF)	14	ALL
3	2CD5935	Solenoid—(ALF)	4	ALL
4	558938	Piping—Fire extinguisher system outer wing LH	NP	C-F
	558939	Piping—Fire extinguisher system outer wing RH	NP	C-F
5	559579	Manifold Assembly—Methyl bromide fire extinguisher front spar outboard	1	ALL
5	559582	Manifold Assembly—Methyl bromide fire extinguisher front spar inboard	1	C-F
7	559583	Manifold Assembly—Methyl bromide fire extinguisher leading edge spar outboard (1 on 558923)	1	ALL
8	559824	Manifold Assembly—Fire extinguisher leading edge spar inboard LH	1	C-F
	559866	Manifold Assembly—Fire extinguisher leading edge spar inboard RH	1	C-F
	560683	Manifold Assembly—Fire extinguisher methyl bromide	1	G-R
	560833	Tee Assembly—Methyl bromide fire extinguisher	1	G-R
	560684	Tee Assembly—Methyl bromide fire extinguisher welded	1	G-R
	460730	Clamp—Fire extinguisher manifold support	4	G-R
	260832	Clamp—Fire extinguisher line	7	G-R
9	2CD5937	Valve—Check (2.00) (ALF Foamite) (2 on 558923 and 558923-1)	2	ALL
10	259578	Restrictor—Methyl bromide fire extinguisher pneumatic connector	2	ALL
	755-32-2-8	Clamp—(AP)	2	C-F
11	559869	Line Assembly—Fire extinguisher feed front spar LH	1	C-F
	559870	Line Assembly—Fire extinguisher feed front spar RH	1	C-F
12	559871	Line Assembly—Fire extinguisher feed leading edge spar LH	1	C-F
	559872	Line Assembly—Fire extinguisher feed leading edge spar RH	1	C-F
	390A20-16	Hose—Flexible (AQ)	4	G-R
	390A20-18	Hose—Flexible (AQ)	6	G-R
	390A20-20	Hose—Flexible (AQ)	2	G-R
	390A20-22	Hose—Flexible (AQ)	2	G-R
	390A20-24	Hose—Flexible (AQ)	2	G-R
	390A20-26	Hose—Flexible (AQ)	2	G-R
	560945	Piping—Fire extinguisher system outer wing LH	1	G-R
	560944	Piping—Fire extinguisher system outer wing RH	1	G-R
	Attaching Parts			
	AN824-4	Tee—Flared tube pipe	31	G-R
	AN822-4	Elbow—Flared tube pipe thread 90°	31	G-R
	AN821-32	Elbow—Flared tube 90°	3	G-R
	AN833-4	Elbow—Flared tube bulkhead and universal 90°	1	G-R
	AN833-32	Elbow—Flared tube bulkhead and universal 90°	2	G-R
	AN816-4	Nipple—Flared tube and pipe thread	3	G-R
	AN815-32	Union—Flared tube	3	G-R
	AN815-4	Union—Flared tube	2	G-R
	AN6227-7	Packing—"O" ring hydraulic	2	G-R

RESTRICTED
AN 01-15EAA-4
OUTER WING GROUP

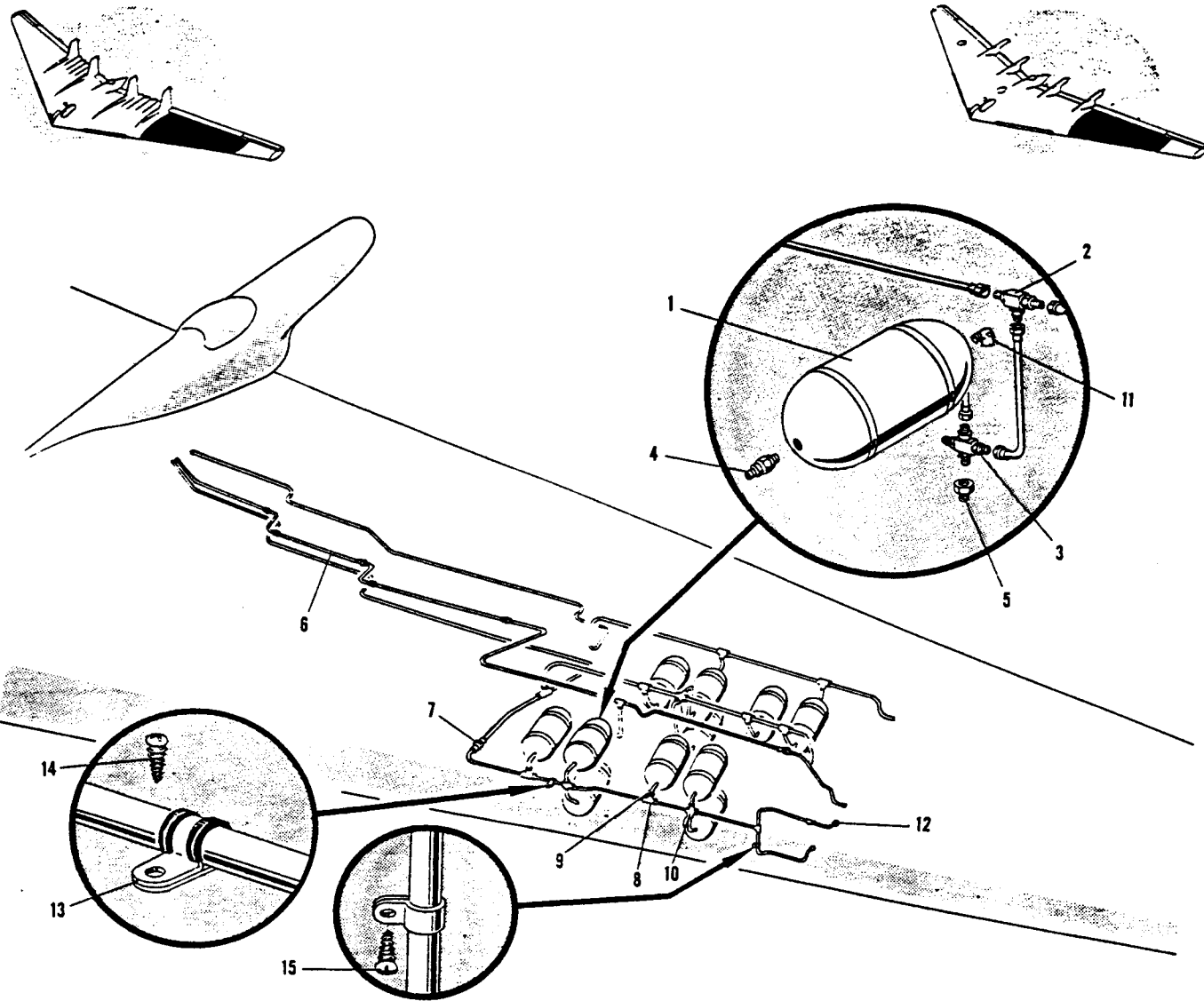


FIGURE 10—OUTER WING OXYGEN EQUIPMENT

OUTER WING OXYGEN EQUIPMENT

FIGURE & INDEX NUMBER	PART NUMBER	NOMENCLATURE	UNITS PER ASSEM	USAGE CODE
		1 2 3 4 5 6 7		
	551092	Oxygen Equipment Installation—Outer wing LH (For next assembly see page 14)	NP	ALL
	551092-1	Oxygen Equipment Installation—Outer wing RH (For next assembly see page 14)	NP	ALL
10 - 1	No Number	Cylinder—Oxygen Spec 94-40321 type G-1 (GFP) (AER 46-1250)	11	ALL
2	AN6033-1	Valve—Low pressure oxygen check (Style D) (GFP) (AER 46-2765)	4	ALL
3	AN6034-1	Valve—Low pressure oxygen check (Style E) (GFP) (AER 46-2770)	4	ALL
4	AN6036-1	Valve—Low pressure oxygen check (Style G) (GFP) (AER 46-2720)	11	ALL
5	43A12528	Adapter	1	ALL
6	555032	Line Assembly—LH outer wing oxygen LH	1	ALL
	555037	Line Assembly—RH outer wing oxygen RH	1	ALL
	Attaching Parts			
7	AN815-5D	Union—Flared tube	16	ALL
8	AN824-5D	Tee—Flared tube pipe	12	ALL
9	AN929-5	Cap—Pressure seal flared tube fitting	3	ALL
10	AN827-5D	Cross—Flared tube	3	ALL
11	AN914-2D	Elbow—Internal and external pipe thread 90°	1	ALL
12	AN806DS	Plug—Flared tube	8	ALL
13	AN742-7C	Clamp—Loop type support	119	ALL
14	AN530-8R6	Screw—Round head sheet metal	98	ALL
15	AN530-8R8	Screw—Round head sheet metal	10	ALL

ELEVON GROUP

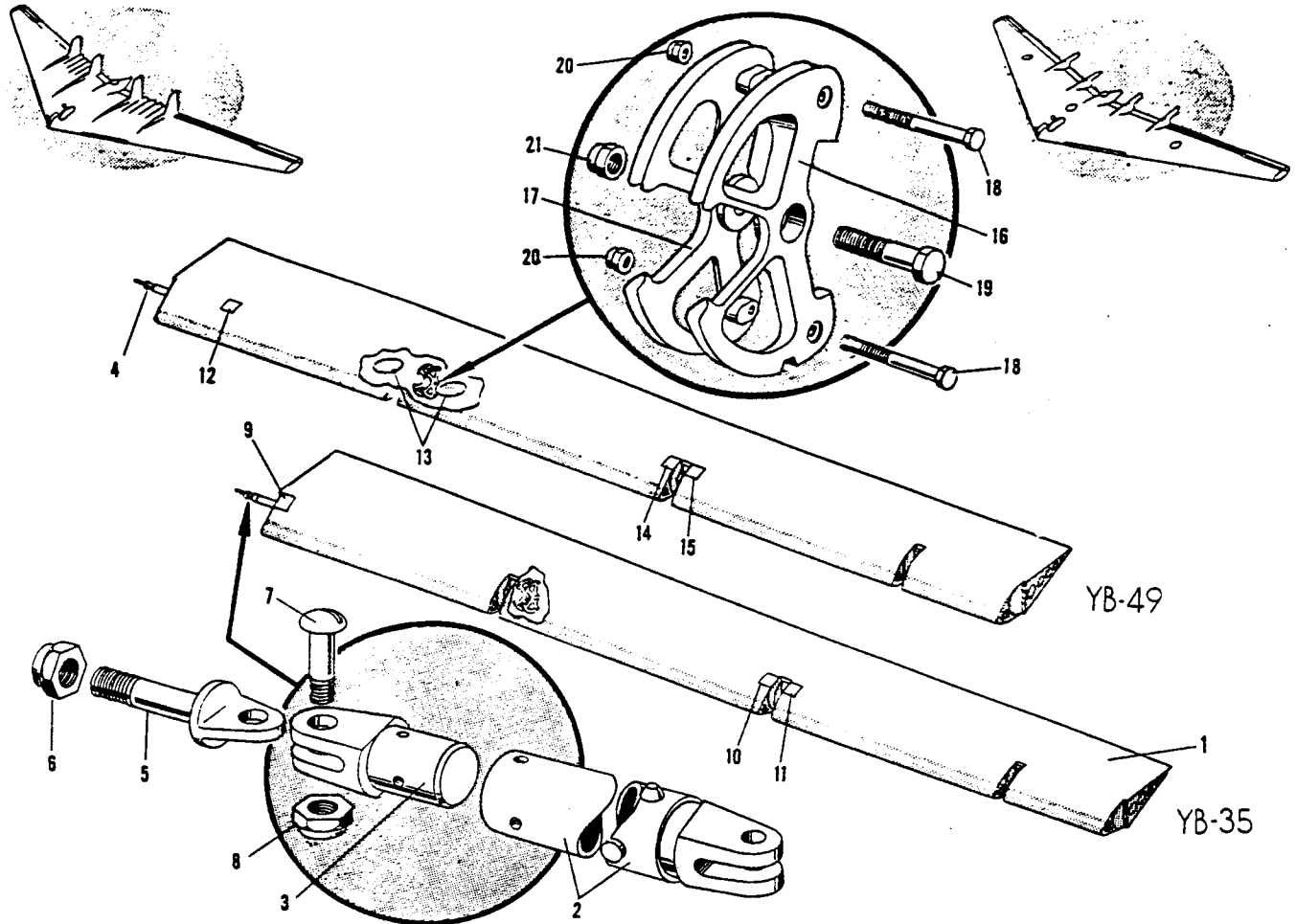


FIGURE 11—ELEVON INSTALLATION

ELEVON INSTALLATION

FIGURE & INDEX NUMBER	PART NUMBER	NOMENCLATURE	UNITS PER ASSEM	USAGE CODE
		1 2 3 4 5 6 7		
11 - 1	551017	Installation—Elevon (For next assembly see page 13).....	NP	ALL
	551019	• Elevon Assembly—Covered LH.....	1	X
	551019-1	• Elevon Assembly—Covered RH.....	1	X
		Attaching Part		
2	458694	• Link Assembly—Elevon to outboard propeller shaft housing connecting.....	2	X
3	458697	• End—Elevon to outboard propeller shaft housing connecting link.....	2	ALL
4	458816	• Link Assembly—Elevon inboard hinge to trailing structure connecting.....	2	DE
5	195491-2	• Bolt—Elevon to outboard propeller shaft housing connection special eye.....	2	ALL
6	AN365-524	• Nut—Self locking.....	4	ALL
7	AN24-17A	• Bolt—Clevis 1/4-28.....	4	ALL
8	AN365-428	• Nut—Self locking thin.....	4	ALL
	551020	• Structure Assembly—Elevon LH.....	1	ALL
	551020-1	• Structure Assembly—Elevon RH.....	1	ALL
9	551020-40	• Door—Elevon LH.....	1	X
	551020-41	• Door—Elevon RH.....	1	X
10	551020-58	• Door—Elevon LH.....	1	X
	551020-59	• Door—Elevon RH.....	1	X
11	551020-66	• Door—Elevon LH.....	1	X
	551020-67	• Door—Elevon RH.....	1	DE
12	No Number	• Door—Elevon LH (See Northrop EO 42965-6).....	1	DE
	No Number	• Door—Elevon RH (See Northrop EO 42965-7).....	2	DE
13	No Number	• Door—Elevon (See Northrop EO 44395-4).....	1	DE
14	551020-58	• Door—Elevon LH.....	1	DE
	551020-59	• Door—Elevon RH.....	1	DE
15	551020-66	• Door—Elevon LH.....	1	DE
	551020-67	• Door—Elevon RH.....	1	ALL
16	557613	• Quadrant—Elevon emergency control LH.....	1	ALL
17	557613-1	• Quadrant—Elevon emergency control RH.....	1	ALL
		Attaching Parts		
18	NAS55A57	• Bolt—Close tolerance.....	2	ALL
19	NAS60A37	• Bolt—Close tolerance.....	1	ALL
20	AN365-524	• Nut—Self locking.....	2	ALL
21	AN365-1018	• Nut—Self locking.....	2	ALL

RESTRICTED
AN 01-15EAA-4
TRIM FLAP GROUP

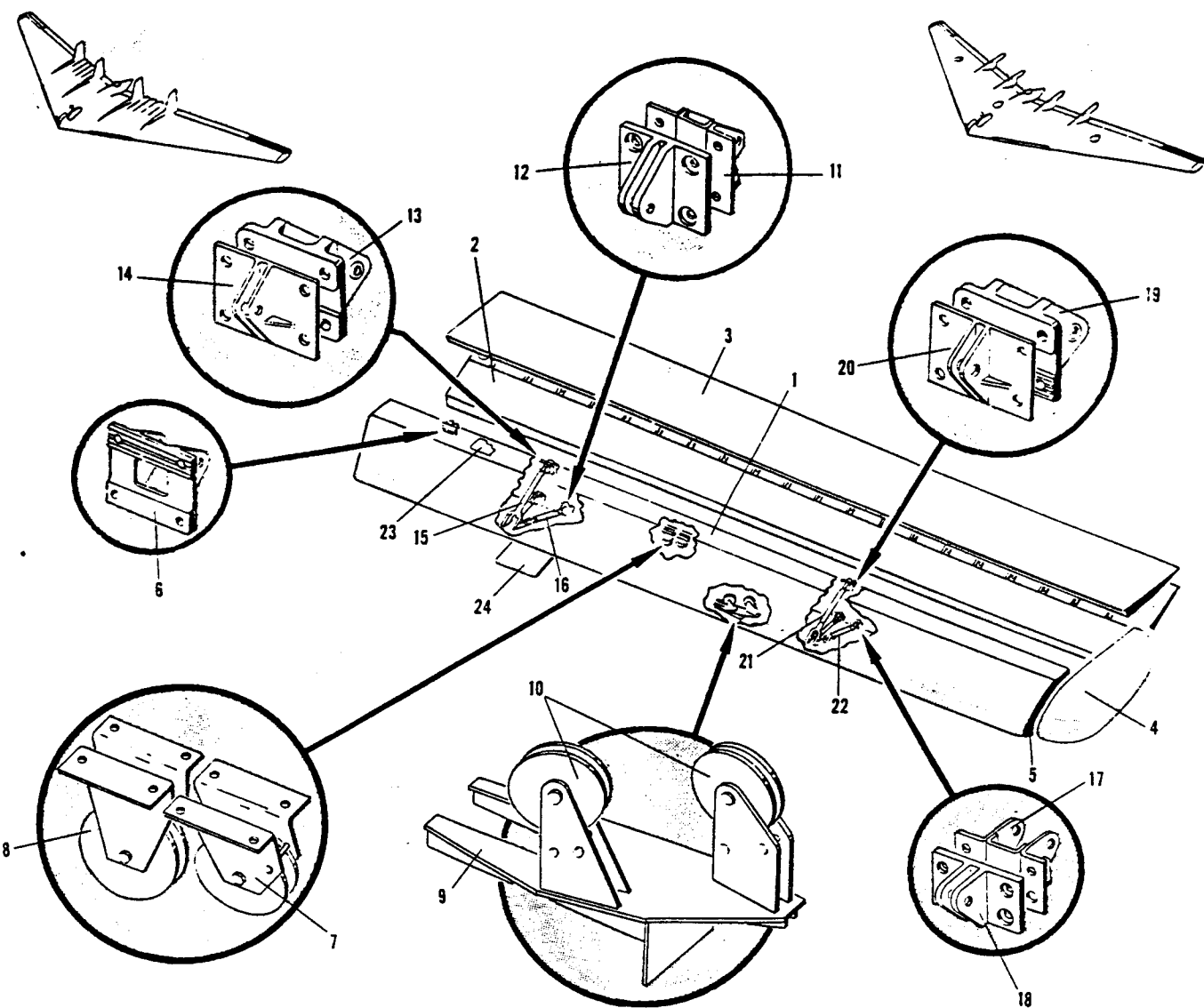


FIGURE 12—TRIM FLAP INSTALLATION

TRIM FLAP INSTALLATION

FIGURE & INDEX NUMBER	PART NUMBER	1	2	3	4	5	6	7	NOMENCLATURE	UNITS PER ASSEM	USAGE CODE
12 - 1	551021								Installation—Trim flap (For next assembly see page 13)	NP	ALL
	551151								Hydraulic Installation—Trim flap LH (For detail breakdown see page 29)	NP	ALL
	551151-1								Hydraulic Installation—Trim flap RH (For detail breakdown see page 29)	NP	ALL
	551022								Flap Assembly—Complete trim LH	1	ALL
	551022-1								Flap Assembly—Complete trim RH	1	ALL
2	Attaching Parts										
	AN4-20								Bolt—Aircraft 1/4-28	4	ALL
	AN8-32								Bolt—Aircraft 1/2-20	4	ALL
	AN310-4								Nut—Aircraft castle	4	ALL
	AN310-8								Nut—Aircraft castle	4	ALL
	551024								Rudder Installation—Upper and lower LH	NP	ALL
	551024-1								Rudder Installation—Upper and lower RH	NP	ALL
	455733								Cable Assembly—Rudder surface interconnecting	1	ALL
	552648								Covered Assembly—Lower rudder LH	1	ALL
	552648-1								Covered Assembly—Lower rudder RH	1	ALL

TRIM FLAP GROUP
TRIM FLAP INSTALLATION

FIGURE & INDEX NUMBER	PART NUMBER	1	2	3	4	5	6	7	NOMENCLATURE	UNITS PER ASSEM	USAGE CODE	
		Attaching Parts										
	AN4-17								Bolt—Aircraft 1 4-28	4	ALL	
	AN310-4								Nut—Aircraft castle	4	ALL	
	551026								Structure Assembly—Lower rudder LH (For detail breakdown see page 30)	1	ALL	
	551026-1								Structure Assembly—Lower rudder RH (For detail breakdown see page 30)	1	ALL	
12 - 3	552649								Covered Assembly—Upper rudder LH	1	X	
	552649-1								Covered Assembly—Upper rudder RH	1	X	
		Attaching Parts										
	AN4-22								Bolt—Aircraft 1/4-28	6	ALL	
	AN6-25								Bolt—Aircraft 3/8-24	2	ALL	
	AN310-4								Nut—Aircraft castle	6	ALL	
	AN310-6								Nut—Aircraft castle	2	ALL	
	551025								Structure Assembly—Upper rudder LH (For detail breakdown see page 30)	1	ALL	
	551025-1								Structure Assembly—Upper rudder RH (For detail breakdown see page 30)	1	ALL	
4	552930								Structure Assembly—Trim flap tip LH	1	ALL	
	552930-1								Structure Assembly—Trim flap tip RH	1	ALL	
		Attaching Parts										
	AN3-3A								Bolt—Aircraft 10-32	7	ALL	
	AN3-7A								Bolt—Aircraft 10-32	3	ALL	
5	551023								Structure Assembly—Trim flap LH	1	ALL	
	551023-1								Structure Assembly—Trim flap RH	1	ALL	
6	453176								Bracket—Rudder hinge	6	ALL	
	AN3-6A								Bolt—Aircraft 10-32	4	ALL	
	AN3-7A								Bolt—Aircraft 10-32	8	ALL	
	AN3-10A								Bolt—Aircraft 10-32	8	ALL	
	AN3-11A								Bolt—Aircraft 10-32	4	ALL	
	AN365-1032								Nut—Self locking	24	ALL	
	560235								Bracket Installation—Trim flap sta 88.50 rudder cable pulley LH	NP	ALL	
	560235-1								Bracket Installation—Trim flap sta 88.50 rudder cable pulley RH	NP	ALL	
7	560235-6								Bracket Assembly—Rudder cable pulley welded LH	1	ALL	
	560235-7								Bracket Assembly—Rudder cable pulley welded RH	1	ALL	
8	AN210-4A								Pulley—Control	2	ALL	
	AN4-13A								Bolt—Aircraft 1 4-28	1	ALL	
	AN4-16A								Bolt—Aircraft 1 4-28	1	ALL	
	AN365-428								Nut—Self locking	2	ALL	
	560236								Bracket Installation—Trim flap sta 105 rudder cable pulley LH	NP	ALL	
	560236-1								Bracket Installation—Trim flap sta 105 rudder cable pulley RH	NP	ALL	
9	560236-22								Bracket Assembly—Rudder cable pulley welded LH	1	ALL	
	560236-23								Bracket Assembly—Rudder cable pulley welded RH	1	ALL	
10	AN210-4A								Pulley—Control	2	ALL	
	AN4-13A								Bolt—Aircraft 1 4-28	2	ALL	
	AN365-428								Nut—Self locking	2	ALL	
11	456581								Bracket Assembly—Rudder hinge lower inboard	1	ALL	
12	454788								Fitting Assembly—Trim flap truss lower attaching inboard LH	1	ALL	
	454788-1								Fitting Assembly—Trim flap truss lower attaching inboard RH	1	ALL	
	AN3-7A								Bolt—Aircraft 10-32	4	ALL	
	AN5-7A								Bolt—Aircraft 5 16-24	4	ALL	
	AN365-1032								Nut—Self locking	4	ALL	
	AN365-524								Nut—Self locking	4	ALL	
13	450844								Bracket Assembly—Rudder hinge upper inboard	1	ALL	
14	453739								Fitting Assembly—Trim flap truss upper	1	ALL	
15	554106								Fork Assembly—Trim flap inboard truss attaching	1	ALL	
16	454107								Strut Assembly—Trim flap truss	2	ALL	
	NASS4-10								Bolt—Close tolerance	2	ALL	
	NASS4A-7								Bolt—Close tolerance	2	ALL	
	AN365-428								Nut—Self locking	4	ALL	
	AN5-13A								Bolt—Aircraft 5 16-25	2	ALL	
	AN4-13A								Bolt—Aircraft 1 4-28	2	ALL	
	AN365-524								Nut—Self locking	2	ALL	
	AN365-428								Nut—Self locking	2	ALL	
17	456582								Bracket Assembly—Rudder hinge lower outboard	2	ALL	
18	453801								Fitting Assembly—Trim flap truss lower attaching LH	1	ALL	
	453801-1								Fitting Assembly—Trim flap truss lower attaching RH	1	ALL	
	AN3-7A								Bolt—Aircraft 10-32	4	ALL	
	AN5-7A								Bolt—Aircraft 5 16-24	4	ALL	
	AN365-1032								Nut—Self locking	4	ALL	
	AN365-524								Nut—Self locking	4	ALL	
19	453731								Bracket Assembly—Rudder hinge and upper	1	ALL	
20	453739								Fitting Assembly—Trim flap truss upper attaching	1	ALL	
21	554105								Fork Assembly—Trim flap outboard truss	1	ALL	
22	454107								Strut Assembly—Trim flap truss	2	ALL	
	NASS4A-7								Bolt—Close tolerance	2	ALL	
	NASS4A-10								Bolt—Close tolerance	2	ALL	
	AN365-428								Nut—Self locking	4	ALL	
	AN5-13A								Bolt—Aircraft 5 16-24	2	ALL	
	AN4-13A								Bolt—Aircraft 1 4-28	2	ALL	
	AN365-524								Nut—Self locking	2	ALL	
	AN365-428								Nut—Self locking	2	ALL	
23	553190								Door Assembly—Trim flap sta 26.486 to sta 35.00 LH	1	ALL	
	553190-1								Door Assembly—Trim flap sta 26.486 to sta 35.00 RH	1	ALL	
24	453597								Door—Trim flap sta 49.00 to sta 150.50 lower surface	2	ALL	
	453175								Door—Trim flap access	2	ALL	

TRIM FLAP GROUP

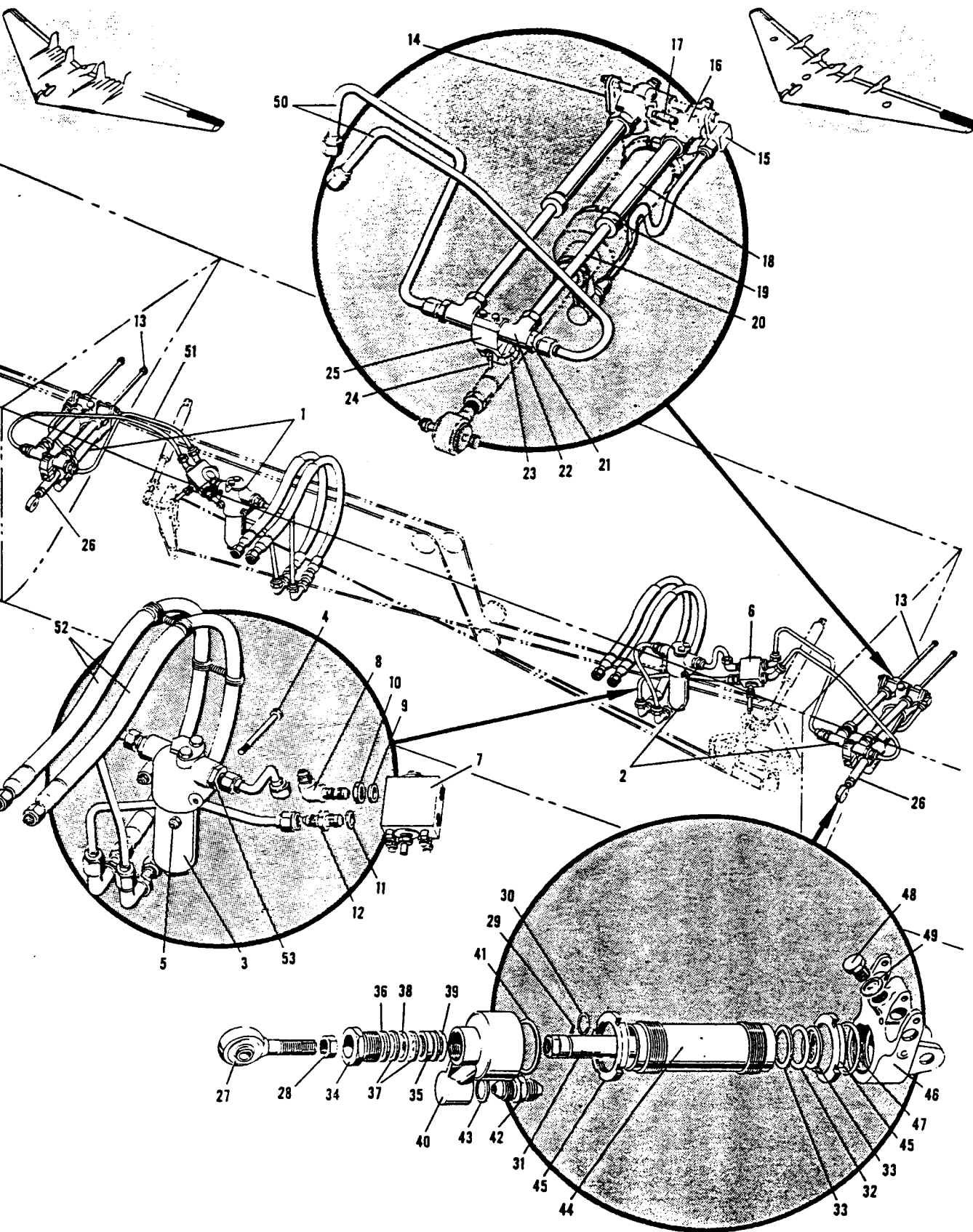


FIGURE 13—TRIM FLAP HYDRAULICS

RESTRICTED
AN 01-15EAA-4
TRIM FLAP GROUP
TRIM FLAP HYDRAULICS

FIGURE & INDEX NUMBER	PART NUMBER	NOMENCLATURE	UNITS PER ASSEM	USAGE CODE
		1 2 3 4 5 6 7		
	551151	Hydraulic Installation—Trim flap LH (For next assembly see page 26)	NP	ALL
	551151-1	Hydraulic Installation—Trim flap RH (For next assembly see page 26)	NP	ALL
13 - 1	558172	Cylinder Installation—Inboard rudder LH	NP	ALL
	558172-1	Cylinder Installation—Inboard rudder RH	NP	ALL
2	557580	Cylinder Installation—Outboard rudder LH	NP	ALL
	557580-1	Cylinder Installation—Outboard rudder RH	2	ALL
3	31550	Filter—(PUP)	2	ALL
4	AN4-23	Bolt—Aircraft 1/4-28	2	ALL
5	AN365-428	Nut—Self locking	2	ALL
6	558284	Valve Assembly—Rudder servo LH (used on 558172 & 557580-1)	2	ALL
	558284-1	Valve Assembly—Rudder servo RH (used on 558172-1 & 557580)	1	ALL
7	E8971	Valve Assembly (Vickers)	3	ALL
8	AN833-8	Elbow—Flared tube bulkhead and universal 90°	3	ALL
9	AN6227-10	Packing—"O" ring hydraulic	3	ALL
10	AN924-8	Nut—Flared tube universal	1	ALL
11	AN902-8	Gasket—Flared tube universal fitting	1	ALL
12	AN815-8	Union—Flared tube	2	ALL
13	557581	Swivel Assembly—Rudder cylinder LH (used on 558172 & 557580-1)	2	ALL
	557581-1	Swivel Assembly—Rudder cylinder RH (used on 558172-1 & 557580)	2	ALL
		Attaching Parts		
	AN73-6	Bolt—Drilled head #10	2	ALL
	AN73-15	Bolt—Drilled head #10	2	ALL
	AN74A-5	Bolt—Drilled head 1/4	2	ALL
	AN74A-25	Bolt—Drilled head 1/4	2	ALL
14	257774	Pivot—Rudder cylinder swivel	1	ALL
	AN6227B11	Packing—"O" ring hydraulic	14	ALL
	AN6246-11	Ring—Hydraulic packing back up	24	ALL
15	257769	Connector—Rudder cylinder swivel 90° LH	1	ALL
	257769-1	Connector—Rudder cylinder swivel 90° RH	1	ALL
16	457771	Fitting—Rudder cylinder swivel outer tube	2	ALL
17	257773	Shaft—Rudder cylinder swivel inner	1	ALL
18	457766	Tube Assembly—Rudder cylinder swivel outer	2	ALL
19	258207	Cap—Rudder cylinder swivel tube	4	ALL
	AN6231-2	Wiper—Packing gland ring	2	ALL
	AN6227B14	Packing—"O" ring hydraulic	2	ALL
20	457767	Tube Assembly—Rudder cylinder swivel inner	2	ALL
	AN6227B7	Packing—"O" ring hydraulic	2	ALL
21	257770	Connector—Rudder cylinder swivel straight	2	ALL
22	257772	Fitting—Rudder cylinder swivel inner tube	1	ALL
23	457768	Support Assembly—Rudder cylinder swivel	1	ALL
24	159124	Pin—Rudder cylinder swivel	1	ALL
25	257913	Lug—Rudder cylinder swivel pivot	2	ALL
26	558004	Cylinder Assembly—Rudder actuating	1	ALL
		Attaching Parts		
	NAS56-30-5	Bolt—Close tolerance	1	ALL
	NAS56-24-5	Bolt—Close tolerance	2	ALL
	AN310-6	Nut—Aircraft castle	1	ALL
27	258324	Eye Bolt Assembly—Rudder cylinder	1	ALL
28	258333	Nut—Rudder cylinder eye bolt lock	1	ALL
29	157847	Pin—Elevon cylinder eye bolt locking	1	ALL
30	258335	Ring—Rudder cylinder snap	1	ALL
31	458325	Rod Assembly—Rudder cylinder piston	1	ALL
32	AN6227B32	Packing—"O" ring hydraulic	2	ALL
33	AN6246-32	Ring—Hydraulic packing backing up	1	ALL
34	258332	Nut—Rudder cylinder rod bushing retainer	1	ALL
35	258331	Bushing—Rudder cylinder piston rod	1	ALL
36	AN6231-9	Wiper—Packing gland ring	2	ALL
37	AN6246-19	Ring—Hydraulic packing backing up	1	ALL
38	AN6227B19	Packing—"O" ring hydraulic	1	ALL
39	AN6227-22	Packing—"O" ring hydraulic	1	ALL
40	558323	Cap—Rudder cylinder piston rod end	1	ALL
41	AN6230-9	Gasket—"O" ring hydraulic	1	ALL
42	AN815-8	Union—Flared tube	1	ALL
43	AN6227-9	Packing—"O" ring hydraulic	1	ALL
44	458329	Barrel—Rudder cylinder	2	ALL
45	258330	Nut—Rudder cylinder barrel lock	1	ALL
46	558005	Cap Assembly—Rudder cylinder bearing end	1	ALL
47	AN6230-9	Gasket—"O" ring hydraulic	1	ALL
48	AN814-4	Plug and Bleeder—Screw thread	1	ALL
49	AN6227-7	Packing—"O" ring hydraulic	1	ALL
50	558418	Lines Assembly—Outboard rudder cylinder LH	NP	ALL
	558419	Lines Assembly—Outboard rudder cylinder RH	NP	ALL
51	558285	Lines Assembly—LH inboard rudder cylinder	NP	ALL
	558286	Lines Assembly—RH inboard rudder cylinder	4	ALL
52	258643	Hose Assembly—Rudder cylinder		
		Attaching Parts		
53	AN919-19	Reducer—External thread flared tube	2	ALL
	755-8-2-8	Clip (AP)	2	ALL
	748-8	Clip (AP)	1	ALL

TRIM FLAP GROUP

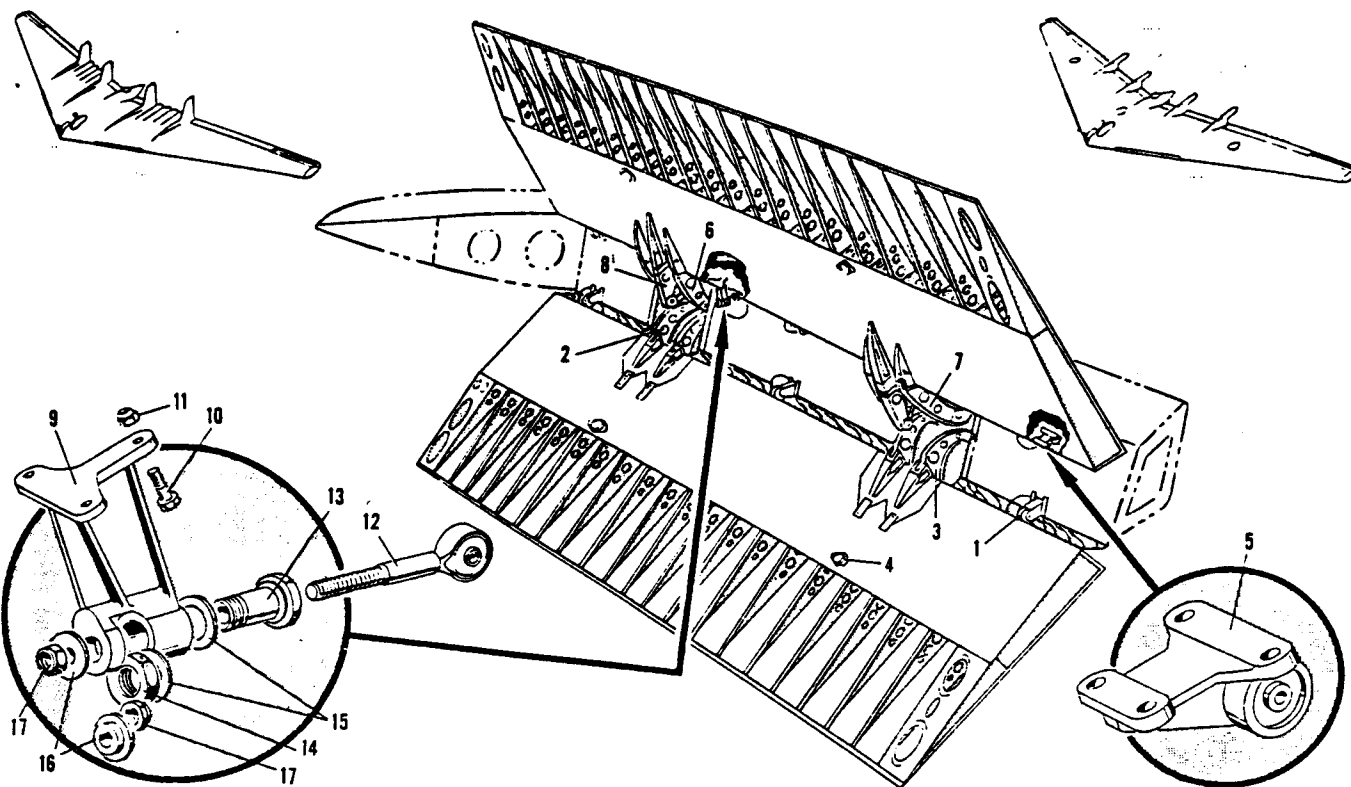


FIGURE 14—RUDDER

RUDDER

FIGURE & INDEX NUMBER	PART NUMBER	1	2	3	4	5	6	7	NOMENCLATURE	UNITS PER ASSEM	USAGE CODE
									Rudder		
	551026								Structure Assembly—Lower rudder LH (For next assembly see page 26)	1	ALL
	551026-1								Structure Assembly—Lower rudder RH (For next assembly see page 26)	1	ALL
14 - 1	455008								Hinge Assembly—Rudder	3	ALL
	553765								Quadrant Assembly—Lower rudder outboard LH (used on 551026 and 551026-1)	2	ALL
	553765-1								Quadrant Assembly—Lower rudder outboard RH (used on 551026 and 551026-1)	2	ALL
3	553766								Quadrant Assembly—Lower rudder inboard LH (used on 551026 and 551026-1)	2	ALL
	553766-1								Quadrant Assembly—Lower rudder inboard RH (used on 551026 and 551026-1)	2	ALL
4	455839								Stop Assembly—Lower rudder	2	ALL
	NAS221-11								Screw—Round head machine	4	ALL
	AN365-1032								Nut—Self locking	4	ALL
	551025								Structure Assembly—Upper rudder LH (For next assembly see page 26)	1	ALL
	551025-1								Structure Assembly—Upper rudder RH (For next assembly see page 26)	1	ALL
5	455008								Hinge Assembly—Rudder	3	ALL
6	553767								Quadrant—Upper rudder outboard LH (used on 551025 and 551025-1)	2	ALL
	553767-1								Quadrant—Upper rudder outboard RH (used on 551025 and 551025-1)	2	ALL
7	553768								Quadrant—Upper rudder inboard LH (used on 551025 and 551025-1)	2	ALL
	553768-1								Quadrant—Upper rudder inboard RH (used on 551025 and 551025-1)	2	ALL
	AN3-7A								Bolt—Aircraft 10-32	4	ALL
	AN4-11A								Bolt—Aircraft 1/4-28	4	ALL
	AN4-13A								Bolt—Aircraft 1/4-28	4	ALL
	AN4-10A								Bolt—Aircraft 1/4-28	4	ALL
	AN365-1032								Nut—Self locking	4	ALL
	AN365-428								Nut—Self locking	12	ALL
8	553769								Arm Assembly—Upper rudder actuator	2	ALL
	AN5-10A								Bolt—Aircraft 5/16-24	4	ALL
	AN6-13A								Bolt—Aircraft 3/8-24	4	ALL
	AN365-524								Nut—Self locking	4	ALL
	AN365-624								Nut—Self locking	4	ALL
9	457407								Horn Assembly—Rudder follow up rod attaching	2	ALL
									Attaching Parts		
10	AN3-6A								Bolt—Aircraft 10-32	6	ALL
11	AN365-1032								Nut—Self locking	6	ALL
12	257406								Bearing Assembly—Rudder follow up rod attaching horn	1	ALL
13	259808								Sleeve—Rudder follow up attaching adjustable	1	ALL
14	159806								Nut—Rudder follow up rod attaching	1	ALL
15	AN960D1016L								Washer—Plain	2	ALL
16	10W063-265C875								Washer—Special	2	ALL
17	AN364-428								Nut—Self locking thin	2	ALL

RESTRICTED
AN 01-15EAA-4
SLOT DOORS GROUP

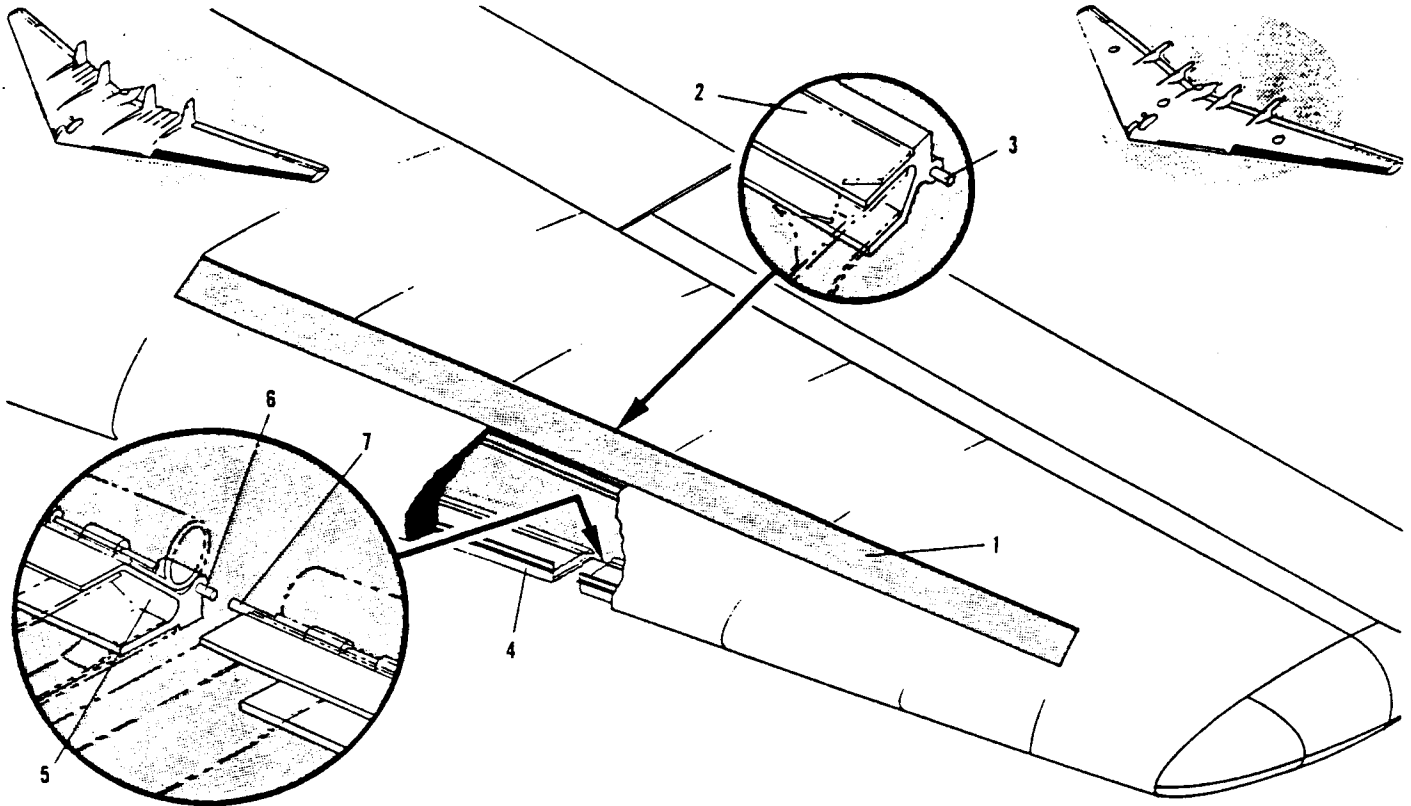


FIGURE 14—RUDDER

SLOT DOORS

FIGURE & INDEX NUMBER	PART NUMBER	1	2	3	4	5	6	7	NOMENCLATURE	UNITS PER ASSEM	USAGE CODE
15 - 1	594681								Door Assembly—Upper slot LH (For next assembly see page 13)	1	ALL
	594682								Door Assembly—Upper slot RH (For next assembly see page 13)	1	ALL
	298797-1								Support—Upper slot door control forward swivel sta 1.616 and 5.917 LH	1	ALL
	298798-1								Support—Upper slot door control aft swivel sta 1.616 and 5.917 RH	1	ALL
	298789-1								Support—Upper slot door control forward swivel sta 1.616 and 5.917 LH	1	ALL
	298790-1								Support—Upper slot door control aft swivel sta 1.616 and 5.917 RH	1	ALL
	298797-2								Support—Upper slot door control forward swivel sta 41.409 and 44.909 LH	1	ALL
	298798-2								Support—Upper slot door control forward swivel sta 41.409 and 44.909 RH	1	ALL
	298789-2								Support—Upper slot door control aft swivel sta 41.409 and 44.909 LH	1	ALL
	298790-2								Support—Upper slot door control aft swivel sta 41.409 and 44.909 RH	1	ALL
	298797-3								Support—Upper slot door control forward swivel sta 81.912 and 85.412 LH	1	ALL
	298798-3								Support—Upper slot door control forward swivel sta 81.912 and 85.412 RH	1	ALL
	298789-3								Support—Upper slot door control aft swivel sta 81.912 and 85.412 LH	1	ALL
	298790-3								Support—Upper slot door control aft swivel sta 81.912 and 85.412 RH	1	ALL
	298797-4								Support—Upper slot door control forward swivel sta 124.590 and 128.090 LH	1	ALL
	298798-4								Support—Upper slot door control forward swivel sta 124.590 and 128.090 RH	1	ALL
	298789-4								Support—Upper slot door control aft swivel sta 124.590 and 128.090 LH	1	ALL
	298790-4								Support—Upper slot door control aft swivel sta 124.590 and 128.090 RH	1	ALL
	298803-1								Support—Upper slot door control outboard forward swivel sta 167.822 and 171.322 LH	1	ALL
	298804-1								Support—Upper slot door control outboard forward swivel sta 167.822 and 171.322 RH	1	ALL
198805-1								Support—Upper slot door control outboard aft swivel sta 167.822 and 171.322 LH	1	ALL	
198806-1								Support—Upper slot door control outboard aft swivel sta 167.822 and 171.322 RH	1	ALL	
298803-2								Support—Upper slot door control outboard forward swivel sta 211.576 and 215.076 LH	1	ALL	
298804-2								Support—Upper slot door control outboard forward swivel sta 211.576 and 215.076 RH	1	ALL	
198805-2								Support—Upper slot door control outboard aft swivel sta 211.576 and 215.076 LH	1	ALL	
198806-2								Support—Upper slot door control outboard aft swivel sta 211.576 and 215.076 RH	1	ALL	
	AN525-10-12								Screw—Washer head	48	ALL
	AN365-1032								Nut—Self locking	48	ALL
2	597899-1								Hinge Assembly—Outer wing leading edge slot upper door LH	1	ALL
	597900-1								Hinge Assembly—Outer wing leading edge slot upper door RH	1	ALL
3	597899-3								Pin—Outer wing leading edge slot upper door	1	ALL
	597899-4								Pin—Outer wing leading edge slot upper door	1	ALL
	597399							Door Installation—Lower slot LH (For next assembly see page 13)	NP	X	
	597400							Door Installation—Lower slot RH (For next assembly see page 13)	NP	X	
4	597399-100								Door Assembly—Lower slot LH	1	X
	597400-100								Door Assembly—Lower slot RH	1	X
5	597847-1								Hinge Assembly—Leading edge slot lower door LH	1	X
	597848-1								Hinge Assembly—Leading edge slot lower door RH	1	X
6	597847-3								Pin—Leading edge slot lower door	1	X
	597847-4								Pin—Leading edge slot lower door	1	X

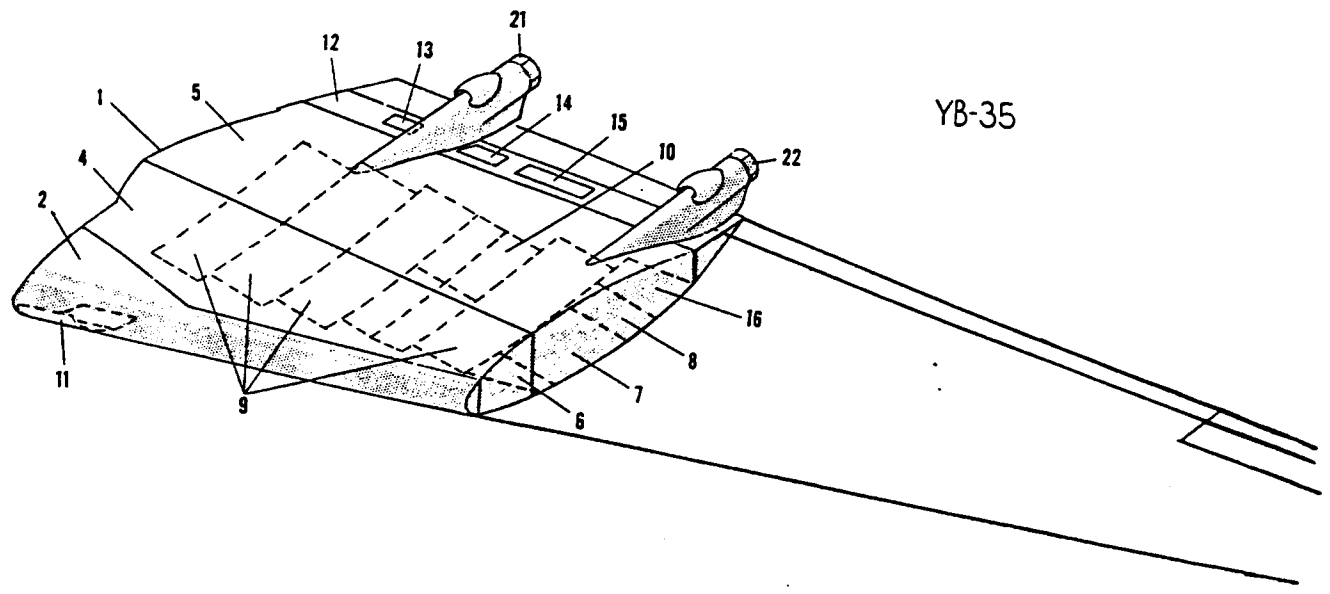
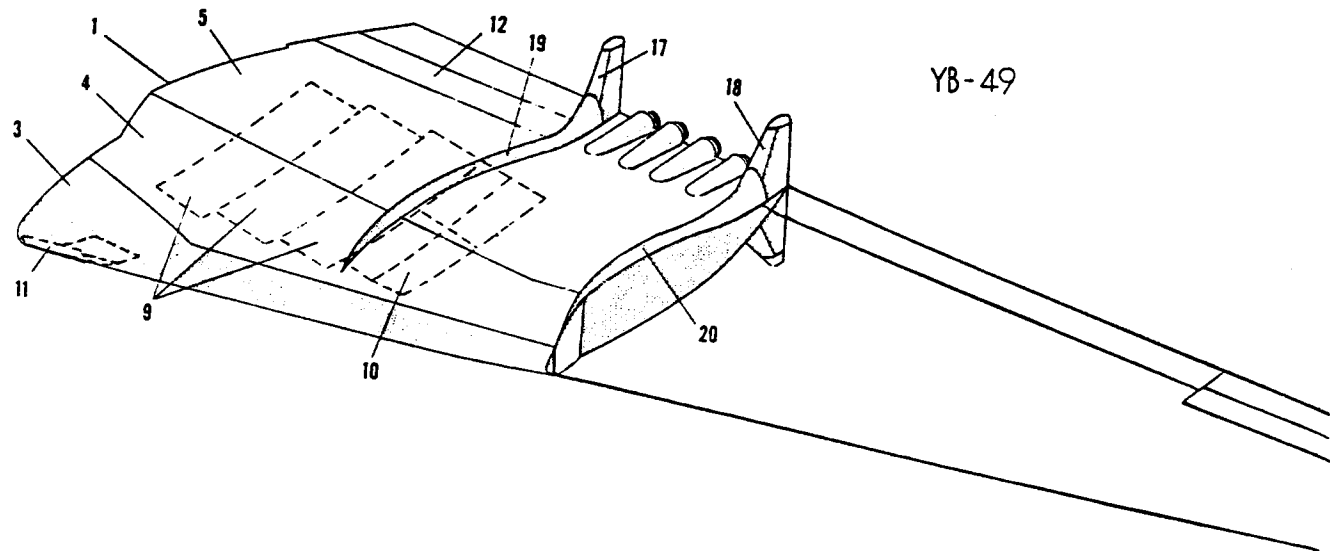
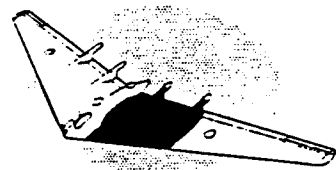
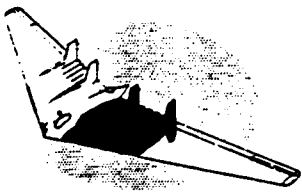


FIGURE 16—CENTER WING INSTALLATION

CENTER WING GROUP
CENTER WING INSTALLATION

FIGURE & INDEX NUMBER	PART NUMBER	NOMENCLATURE	UNITS PER ASSEM	USAGE CODE
		1 2 3 4 5 6 7		
	594385	Wing Installation—Center (For next assembly see page 13)	NP	ALL
	557270	Hydraulic Installation—Center wing aft leading edge (For detail breakdown see page 90)	NP	DE
16 - 1	594001	Wing Assembly—Center LH	NP	ALL
	594002	Wing Assembly—Center RH	NP	ALL
2	594391	Leading Edge Assembly—Center wing forward LH (For detail breakdown see page 35)	1	X
	594392	Leading Edge Assembly—Center wing forward RH (For detail breakdown see page 35)	1	X
3	No Number	Leading Edge Assembly—Center wing forward LH (See Northrop YB-49 E.O.'s on Drawing 594391) (For detail breakdown see page 35)	1	DE
	No Number	Leading Edge Assembly—Center wing forward RH (See Northrop YB-49 E.O.'s on Drawing 594392) (For detail breakdown see page 35)	1	DE
4	594387	Leading Edge Assembly—Center wing aft LH (For detail breakdown see page 35)	1	ALL
	594388	Leading Edge Assembly—Center wing aft RH (For detail breakdown see page 35)	1	ALL
	574021	Lip Installation—Center wing sta 281.5 to sta 440.5 leading edge upper and lower LH	NP	DE
	574022	Lip Installation—Center wing sta 281.5 to sta 440.5 leading edge upper and lower RH	NP	DE
5	594395	Center Section Assembly—Center wing LH (For detail breakdown see page 43)	1	ALL
	594396	Center Section Assembly—Center wing RH (For detail breakdown see page 43)	1	ALL
6	594465	Door Installation—Outboard engine forward LH (For detail breakdown see page 63)	NP	X
	594466	Door Installation—Outboard engine forward RH (For detail breakdown see page 63)	NP	X
7	594467	Door Installation—Outboard engine center LH (For detail breakdown see page 63)	NP	X
	594468	Door Installation—Outboard engine center RH (For detail breakdown see page 63)	NP	X
8	594871	Door Installation—Outboard engine aft LH (For detail breakdown see page 63)	NP	X
	594872	Door Installation—Outboard engine aft RH (For detail breakdown see page 63)	NP	X
9	594399	Door Installation—Bomb bay roller LH (For detail breakdown see page 67)	NP	ALL
	594400	Door Installation—Bomb bay roller RH (For detail breakdown see page 67)	NP	ALL
10	594275	Door Installation—Main landing gear LH (For detail breakdown see page 65)	NP	ALL
	594276	Door Installation—Main landing gear RH (For detail breakdown see page 65)	NP	ALL
11	594340	Door Installation—Nose wheel (For detail breakdown see page 59)	NP	ALL
12	551386	Structure Installation—Center wing trailing section crew nacelle to flap sta 49.80 LH	NP	ALL
	551386-1	Structure Installation—Center wing trailing section crew nacelle to flap sta 49.80 RH	NP	ALL
	573589	Compartment Installation—Life raft dinghy radio stowage LH	NP	G-R
	573590	Compartment Installation—Life raft dinghy radio stowage RH	NP	G-R
	573591	Door Assembly—Life raft and dinghy radio stowage compartment LH (For detail breakdown see page 66)	1	G-R
	573592	Door Assembly—Life raft and dinghy radio stowage compartment RH (For detail breakdown see page 66)	1	G-R
	551387	Structure Installation—Centerwing trailing section flap sta 61.80 to propeller shaft housing LH	NP	X
	551387-1	Structure Installation—Center wing trailing section flap sta 61.80 to propeller shaft housing RH	NP	X
	551388	Structure Installation—Center wing trailing section inboard propeller shaft housing to flap sta 169 LH	NP	X
	551388-1	Structure Installation—Center wing trailing section inboard propeller shaft housing to flap sta 169 RH	NP	X
	551389	Structure Installation—Center wing trailing section flap sta 181.00 to flap sta 294.36 LH	NP	X
	551389-1	Structure Installation—Center wing trailing section flap sta 181.00 to flap sta 294.36 RH	NP	X
	551390	Structure Installation—Center wing trailing section flap sta 306.36 to outboard propeller shaft housing LH	NP	X
	551390-1	Structure Installation—Center wing trailing section flap sta 306.36 to outboard propeller shaft housing RH	NP	X
	551391	Structure Installation—Center wing trailing section outboard propeller shaft housing to flap sta 362.913 LH	NP	X
	551391-1	Structure Installation—Center wing trailing section outboard propeller shaft housing to flap sta. 362.913 RH	NP	X
	557427	Structure Installation—Center wing trailing section crew nacelle to flap sta 49.80 LH	NP	DE
	557427-1	Structure Installation—Center wing trailing section crew nacelle to flap sta 49.80 RH	NP	DE
	557233	Structure Installation—Center wing trailing section flap 61.80 to 169 LH	NP	DE
	557233-1	Structure Installation—Center wing trailing section flap 61.80 to 169 RH	NP	DE
	557225	Structure Installation—Center wing trailing section flap sta 181 to wing sta 279.30 LH	NP	DE
	557225-1	Structure Installation—Center wing trailing section flap sta 181 to wing sta 279.30 RH	NP	DE
	552184	Structure Installation—Center wing trailing section wing sta 281.50 to 439.5 LH	NP	DE
	552184-1	Structure Installation—Center wing trailing section wing sta 281.50 to 439.5 RH	NP	DE
	551182	Flap Installation—Center wing trailing section inboard engine inner air exit LH	NP	X
	551182-1	Flap Installation—Center wing trailing section inboard engine inner air exit RH	NP	X
13	550229	Flap Assembly—Center wing trailing section inboard engine inner air exit LH	1	X
	550229-1	Flap Assembly—Center wing trailing section inboard engine inner air exit RH	1	X
	551183	Flap Installation—Center wing trailing section inboard engine outer air exit LH	NP	X
	551183-1	Flap Installation—Center wing trailing section inboard engine outer air exit RH	NP	X
14	550230	Flap Assembly—Center wing trailing section inboard engine outer air exit LH	1	X
	550230-1	Flap Assembly—Center wing trailing section inboard engine outer air exit RH	1	X
	551184	Flap Installation—Center wing trailing section plenum chamber air exit LH	NP	X
	551184-1	Flap Installation—Center wing trailing section plenum chamber air exit RH	NP	X
15	550231	Flap Assembly—Center wing trailing section plenum chamber air exit LH	1	X
	550231-1	Flap Assembly—Center wing trailing section plenum chamber air exit RH	1	X
	583769	Flap Installation—Center wing lower surface wing sta 338 to 400 cooling air LH	NP	X
	583770	Flap Installation—Center wing lower surface wing sta 338 to 400 cooling air RH	NP	X

CENTER WING GROUP
CENTER WING INSTALLATION

FIGURE & INDEX NUMBER	PART NUMBER	1	2	3	4	5	6	7	NOMENCLATURE	UNITS PER ASSEM	USAGE CODE
16 - 16	594257	Flap Assembly—Center wing sta 338 to 400 cooling air exit LH	1	X
	594258	Flap Assembly—Center wing sta 338 to 400 cooling air exit RH	1	X
	556760	Stabilizer Installation—Wing sta 281.5 vertical LH	1	DE
	556760-1	Stabilizer Installation—Wing sta 281.5 vertical RH	1	DE
17	556973	Stabilizer Assembly—Vertical LH	1	DE
	556973-1	Stabilizer Assembly—Vertical RH	1	DE
	556761	Stabilizer Installation—Wing sta 439.5 vertical LH	NP	DE
18	556761-1	Stabilizer Installation—Wing sta 439.5 vertical RH	NP	DE
	556973	Stabilizer Assembly—Vertical LH	1	DE
19	556973-1	Stabilizer Assembly—Vertical RH	1	DE
	557473	Fin Assembly—Wing sta 281.5 dorsal LH	1	DR
20	557473-1	Fin Assembly—Wing sta 281.5 dorsal RH	1	DE
	557489	Fin Assembly—Wing sta 439.5 dorsal LH	1	DE
	557489-1	Fin Assembly—Wing sta 439.5 dorsal RH	1	DE
21	594185	Housing Assembly—Inboard propeller shaft LH (For detail breakdown see page 58)	1	X
	594186	Housing Assembly—Inboard propeller shaft RH (For detail breakdown see page 58)	1	X
22	594183	Housing Assembly—Outboard propeller shaft LH (For detail breakdown see page 58)	1	X
	594184	Housing Assembly—Outboard propeller shaft RH (For detail breakdown see page 58)	1	X
	559115	Fairing Installation—Outboard engine duct upper lip false LH	NP	G-R
	559115-1	Fairing Installation—Outboard engine duct upper lip false RH	NP	G-R
	556985	Duct—Cabin super charging wing sta 215.5 to sta 439.5 LH (For detail breakdown see page 75)	1	DE
	556985-1	Duct—Cabin super charging wing sta 251.5 to sta 439.5 RH (For detail breakdown see page 75)	1	DE
	588879	Piping Installation—Temperature and pressure outboard engine compartment and bomb bays 1 and 8 LH (For detail breakdown see page 75)	NP	X
	588880	Piping Installation—Temperature and pressure outboard engine compartment and bomb bays 1 and 8 RH (For detail breakdown see page 75)	NP	X
	557216	Intake Installation—Cabin emergency ram air (For detail breakdown see page 75)	NP	DE
	560191	Duct Installation—Anti-icing leading edge center wing sta 12.5 waste gate LH (For detail breakdown see page 75)	NP	U
	560191-1	Duct Installation—Anti-icing leading edge center wing sta 12.5 waste gate RH (For detail breakdown see page 75)	NP	U
	560192	Duct Installation—Anti-icing leading edge center wing sta 400 waste gate LH (For detail breakdown see page 75)	NP	U
	560192-1	Duct Installation—Anti-icing leading edge center wing sta 400 waste gate RH (For detail breakdown see page 75)	NP	U
	551196	Instrument Installation—Center wing inboard LH (For detail breakdown see page 77)	NP	X
	551196-1	Instrument Installation—Center wing inboard RH (For detail breakdown see page 77)	NP	X
	551197	Instrument Installation—Center wing outboard LH (For detail breakdown see page 77)	NP	X
	551197-1	Instrument Installation—Center wing outboard RH (For detail breakdown see page 77)	NP	X
	556881	Instrument Installation—Center wing LH (For detail breakdown see page 77)	NP	DE
	556881-1	Instrument Installation—Center wing RH (For detail breakdown see page 77)	NP	DE
	551153	Hydraulic Installation—Center wing trailing edge LH (For detail breakdown see page 78)	NP	X
	551153-1	Hydraulic Installation—Center wing trailing edge RH (For detail breakdown see page 78)	NP	X
	553288	Reservoir Installation—Inboard hydraulic pressurized LH (For detail breakdown see page 81)	NP	X
	553288-1	Reservoir Installation—Inboard hydraulic pressurized RH (For detail breakdown see page 81)	NP	X
	584545	Electrical Installation—Center wing LH (For detail breakdown see page 83)	NP	ALL
	584545-1	Electrical Installation—Center wing RH (For detail breakdown see page 83)	NP	ALL
	560897	System Installation—Edison unit type fire detector LH (For detail breakdown see page 85)	NP	X
	560897-1	System Installation—Edison unit type fire detector RH (For detail breakdown see page 85)	NP	X
	590085	System Installation—Center wing fire extinguisher LH (For detail breakdown see page 85)	NP	X
	590086	System Installation—Center wing fire extinguisher RH (For detail breakdown see page 85)	NP	X
	559663	Mechanism Installation—Bomb bay door opening LH (For detail breakdown see page 71)	NP	ALL
	559663-1	Mechanism Installation—Bomb bay door opening RH (For detail breakdown see page 71)	NP	ALL
	559344	Chain Installation—Bomb bay door closing LH (For detail breakdown see page 67)	NP	ALL
	559344-1	Chain Installation—Bomb bay door closing RH (For detail breakdown see page 67)	NP	ALL
	551091	Oxygen Equipment Installation—Center wing LH	NP	ALL
	551091-1	Oxygen Equipment Installation—Center wing RH	NP	ALL
	555033	Line Assembly—Left hand center wing oxygen	NP	X
	555038	Line Assembly—Right hand center wing oxygen	NP	X
	586693	Heat and Vent Installation—Cabin heater to crew nacelle LH (For detail breakdown see page 87)	NP	X
	586694	Heat and Vent Installation—Cabin heater to crew nacelle RH (For detail breakdown see page 87)	NP	X
	557472	Heat and Vent Installation—Turbine and aftercooler cabin LH (For detail breakdown see page 89)	NP	DE
	557472-1	Heat and Vent Installation—Turbine and aftercooler cabin RH (For detail breakdown see page 89)	NP	DE
	557696	Heat and Vent Installation—Wing sta 75 to wing sta 215.5 LH (For detail breakdown see page 89)	NP	DE
	557696-1	Heat and Vent Installation—Wing sta 75 to wing sta 215.5 RH (For detail breakdown see page 89)	NP	DE

CENTER WING GROUP
CENTER WING INSTALLATION

FIGURE 6
INDEX
NUMBER
16 - 22

PART NUMBER	NOMENCLATURE							UNITS PER ASSEM	USAGE CODE
	1	2	3	4	5	6	7		
560581	.	.						NP	X
560696	.	.						NP	DE
553556	.	.						NP	X
553556-1	.	.						NP	X
557925	.	.						NP	DE
557925-1	.	.						NP	DE
558048	.	.						NP	DE
558048-1	.	.						NP	DE
558727	.	.						NP	X
558717-1	.	.						NP	X
158779	.	.						4	X
552165	.	.						NP	ALL
552165-1	.	.						NP	ALL
552167	.	.						NP	ALL
552167-1	.	.						NP	ALL

CENTER WING GROUP

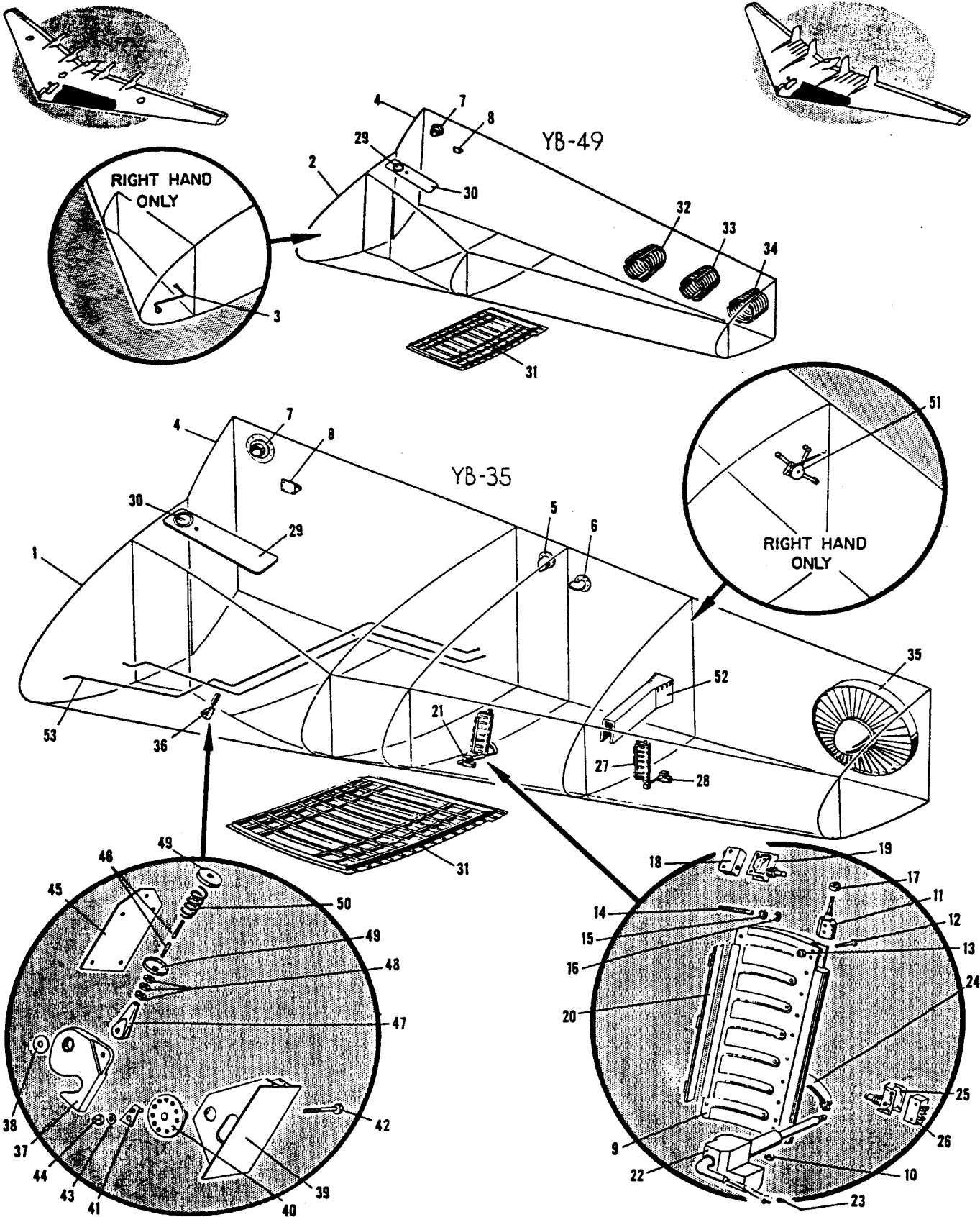


FIGURE 17—CENTER WING LEADING EDGE

CENTER WING GROUP
CENTER WING LEADING EDGE

FIGURE & INDEX NUMBER	PART NUMBER	NOMENCLATURE	UNITS PER ASSEM	USAGE CODE
		Center Wing Leading Edge	1	X
17 - 1	594391	Leading Edge Assembly—Center wing forward LH (For next assembly see page 32)	1	X
	594392	Leading Edge Assembly—Center forward RH (For next assembly see page 32)	NP	T
	594730	Leading Edge Installation—Center wing sta 69.5 to 188.5 left side forward	NP	T
	594726	Leading Edge Installation—Center wing sta 69.5 to 188.5 right side forward	NP	U
	573345	Leading Edge Installation—Center wing sta 69.5 to 188.5 left side forward	NP	U
	573346	Leading Edge Installation—Center wing sta 69.5 to 188.5 right side forward	NP	T
	594393	Structure Installation—Center wing forward leading edge LH	NP	T
	594394	Structure Installation—Center wing forward leading edge RH	1	T
	594393-100	Structure Assembly—Center wing forward leading edge LH	1	T
	594394-100	Structure Assembly—Center wing forward leading edge RH	1	T
	594805	Lip Assembly—Center wing sta 117.375 to 400 leading edge forward upper LH	1	T
	594806	Lip Assembly—Center wing sta 117.375 to 400 leading edge forward upper RH	1	T
	594807	Lip Assembly—Center wing sta 117.375 to 400 leading edge forward lower LH	1	T
	594808	Lip Assembly—Center wing sta 117.375 to 400 leading edge forward lower RH	1	T
	581557	Leading Edge Installation—Center wing sta 125.5 to 400 forward LH	NP	U
	581558	Leading Edge Installation—Center wing sta 125.5 to 400 forward RH	NP	U
	572003	Leading Edge Assembly—Center wing sta 125.5 to sta 400 forward LH	1	U
	572004	Leading Edge Assembly—Center wing sta 125.5 to sta 400 forward RH	1	U
2	No Number	Leading Edge Assembly—Center wing forward LH (See Northrop YB-49 Engineering Orders on Drawing 594391) (For next assembly see page 32)	1	DE
	No Number	Leading Edge Assembly—Center wing forward RH (See Northrop YB-49 Engineering Order on drawing 594392) (For next assembly see page 32)	1	DE
	No Number	Structure Installation—Center wing forward leading edge LH (See Northrop YB-49 Engineering Orders on drawing 594393) (For next assembly see page 32)	1	DE
	No Number	Structure Installation—Center wing forward leading edge RH (See Northrop YB-49 Engineering Orders on drawing 594394) (For next assembly see page 32)	1	DE
	No Number	Leading Edge Installation—Center wing sta 69.5 to 188.5 left side forward (See Northrop YB-49 Engineering Orders on drawing 594730)	NP	DE
	No Number	Leading Installation—Center wing sta 69.5 right side forward (See Northrop YB-49 Engineering Orders on drawing 594726)	NP	DE
	459236	Electrical Installation—Nose wheel steering and brake hydraulic pump (on RH only)	NP	DE
	453673	Cable Assembly—Nose wheel steering and brake pump to pressurized "P"	1	DE
3		Electrical Installation—Nose wheel well (on RH only) (For detail breakdown see page 39)	NP	DE
	552826	Leading Edge Assembly—Center wing aft LH (For next assembly see page 32)	1	ALL
4	594387	Leading Edge Assembly—Center wing aft RH (For next assembly see page 32)	NP	ALL
	594388	Valve Installation—Heat and vent plenum LH chamber (For detail breakdown see page 37)	1	X
	586529	Valve Installation—Heat and vent plenum RH chamber (For detail breakdown see page 37)	NP	X
	586530	Controls Installation—Heat and vent inboard waste gate LH	NP	X
	586681	(For detail breakdown see page 37)		
	586682	Controls Installation—Heat and vent inboard waste gate RH	NP	X
		(For detail breakdown see page 37)		
	584541	Electrical Installation—Center wing aft leading edge LH	NP	X
		(For detail breakdown see page 39)		
	584542	Electrical Installation—Center wing aft leading edge RH	NP	X
		(For detail breakdown see page 39)	1	ALL
	594389	Structure Assembly—Center wing aft leading edge LH	1	ALL
	594390	Structure Assembly—Center wing aft leading edge RH	1	ALL
	594007	Spar Assembly—Center wing front LH	1	ALL
	594008	Spar Assembly—Center wing front RH	1	ALL
5	292912	Fitting—Oil tank transfer line 45° elbow outboard	1	ALL
6	292918	Fitting—Oil tank transfer line 45° elbow outboard	1	ALL
7	493024	Fitting—Fuel tank adapter casting	1	ALL
	557751	Bracket Installation—Bay 4 and 5 bomb hoist swivel pulley LH	NP	ALL
	557751-1	Bracket Installation—Bay 4 and 5 bomb hoist swivel pulley RH	NP	ALL
8	557751-22	Bracket—Bay 4 and 5 bomb hoist pulley	1	ALL
	453259-18	Pulley Assembly—Bomb hoist lead off	1	ALL
	594201	Rib Installation—Aft leading edge section wing sta 215.5 to 222.063 LH	NP	ALL
	594202	Rib Installation—Aft leading edge section wing sta 215.5 to 222.063 RH	NP	ALL
	592559	Valve Installation—Rib 215.5 heat exchanger duct air LH	NP	X
	592560	Valve Installation—Rib 215.5 heat exchanger duct air RH	NP	X
9	592559-10	Valve Assembly—Rib 215.5 heat exchanger duct air LH	1	X
	592560-10	Valve Assembly—Rib 215.5 heat exchanger duct air RH	1	X
10	AN316-4R	Nut—Aircraft check	1	X
11	257538	Fitting—Rib 215.5 air valve hinge upper	2	X
12	AN23-15A	Bolt—Clevis 10-32	2	X
13	AN364-1032	Nut—Self locking thin	1	X
14	192568	Screw—Rib 215.5 air valve adjustable spring	1	X
15	AN364-1032	Nut—Self locking thin	1	X
16	AN315-3R	Nut—Aircraft plain	1	X
17	457486	Cam—Ram air valve microswitch operating	1	X
18	AN3210-1	Switch—Low travel limit	1	X
19	MC2711	Actuator (MCS)	1	X
20	192571	Stop Assembly—Rib 215.5 air valve	1	X
	560020	Actuator Installation—Ram air valve sta 215.5 LH	NP	X
	560020-1	Actuator Installation—Ram air valve sta 215.5 RH	NP	X
21	560015	Actuator Assembly—Ram air valve sta 215.5-222.063	1	X
22	28932	Actuator Assembly—(AIR)	1	X
23	AN753A1	Splice—Electrical disconnect	2	X
24	460084	Arm Assembly—Rib 215.5 ram air valve actuator	1	X
25	MC2711B	Actuator (MCS)	1	X
26	AN3210-1	Switch—Low travel limit	1	X

CENTER WING GROUP
CENTER WING LEADING EDGE

FIGURE & INDEX NUMBER	PART NUMBER	1	2	3	4	5	6	7	NOMENCLATURE	UNITS PER ASSEM	USAGE CODE
	572069								Rib Installation—Center wing sta 246.592 to 258.717 aft leading edge section LH	NP	U
	572070								Rib Installation—Center wing sta 246.592 to 258.717 aft leading edge section RH	NP	U
	586783								Valve Installation—Heating and ventilating sta 246 to 258 anti-icing LH	NP	U
	586784								Valve Installation—Heating and ventilating sta 246 to 258 anti-icing RH	NP	U
	486742								Valve Assembly—Heating and ventilating sta 246 to 258 anti-icing	1	U
	594205								Rib Installation—Aft leading edge section rib sta 281.5-293.813 LH	NP	ALL
	594206								Rib Installation—Aft leading edge section rib sta 281.5-293.813 RH	NP	ALL
	592585								Valve Installation—Rib 281.5 heat exchanger duct air LH	NP	X
	592586								Valve Installation—Rib 281.5 heat exchanger duct air RH	NP	X
17 - 27	592585-10								Valve Assembly—Rib 281.5 heat exchanger duct air	1	X
	No Number								Ball—316 dia stainless steel (ATA)	1	X
	260096								Fitting—Rib 281.5 air valve hinge lower	1	X
	257537								Fitting—Rib 281.5 air valve hinge upper	1	X
	457486								Cam—Ram air valve micro switch operating	1	X
	AN3210-1								Switch—Low travel limit	1	X
	MC2711								Actuator (MCS)	1	X
	192597								Stop Assembly—Rib 281.5 air valve	1	X
	560019								Actuator Installation—Ram air valve sta 218.5 LH	NP	X
	560019-1								Actuator Installation—Ram air valve sta 281.5 RH	NP	X
	560016								Actuator Assembly—Ram air valve sta 281.5-293.813	1	X
28	28930								Actuator Assembly—(AIR)	1	X
	AN753A1								Splice—Electrical disconnect	2	X
	260145								Bracket—Rib sta 281.5 ram air valve actuator	1	X
	MC2711B								Actuator—(MCS)	1	X
	AN3210-1								Switch—Low travel limit	1	X
	260147								Arm—Rib 281.5 ram air valve actuator	1	X
	594621								Skin and Stringer Installation—Center wing aft leading edge upper surface LH	NP	ALL
	594622								Skin and Stringer Installation—Center wing aft leading edge upper surface RH	NP	ALL
29	594621-200								Door Assembly—Center wing aft leading edge upper surface LH	1	ALL
	594622-200								Door Assembly—Center wing aft leading edge upper surface RH	1	ALL
30	B111745X								Jack—Grounding (MAL)	1	ALL
	594273								Skin and Stringer Installation—Center wing aft leading edge lower surface LH	NP	ALL
	594238								Skin and Stringer Installation—Center wing aft leading edge lower surface RH	NP	ALL
31	594237-2000								Door Assembly—Center wing leading edge aft lower surface inboard engine LH	1	ALL
	594238-2000								Door Assembly—Center wing leading edge aft lower surface inboard engine RH	1	ALL
	283731								Attaching Parts Pin—Center wing aft leading edge section lower surface inboard engine door stringer fitting	24	ALL
	579661								Duct Installation—Center wing ram air and cooling air LH (For ducts see page 232)	NP	DE
	579662								Duct Installation—Center wing ram air and cooling air RH (For ducts see page 232)	NP	DE
32	579667								Panel Assembly—Center wing ram air duct #4 and #5 removable LH	1	DE
	579668								Panel Assembly—Center wing ram air duct #4 and #5 removable RH	1	DE
33	579679								Panel Assembly—Center wing ram air duct #3 and #6 removable LH	1	DE
	579680								Panel Assembly—Center wing ram air duct #3 and #6 removable RH	1	DE
34	579709								Panel Assembly—Center wing ram air duct #2 and #7 removable LH	1	DE
	579710								Panel Assembly—Center wing ram air duct #2 and #7 removable RH	1	DE
	591407								Duct Installation—Outboard engine cooling air LH	NP	X
	591408								Duct Installation—Outboard engine cooling air RH	NP	X
35	555176								Diffuser Installation—Outboard engine cooling duct LH	NP	X
	555176-1								Diffuser Installation—Outboard engine cooling duct RH	NP	X
	555176-2								Nose Assembly—Outboard engine cooling duct diffuser	1	X
	555176-4								Upper Diffuser Assembly—Outboard engine cooling duct LH	1	X
	555176-5								Upper Diffuser Assembly—Outboard engine cooling duct RH	1	X
	555176-6								Lower Diffuser Assembly—Outboard engine cooling duct LH	1	X
	555176-7								Lower Diffuser Assembly—Outboard engine cooling duct RH	1	X
	555176-8								Bracket Assembly—Outboard engine cooling duct	1	X
	596217								Lock Installation—Nose wheel door outboard	NP	X
36	596217-10								Lock Assembly—Nose wheel door outboard	NP	X
37	497639								Hook Assembly—Nose wheel door outboard lock	1	X
38	AN960-1216L								Washer—Plain	2	X
39	496238								Support—Nose wheel door outboard lock hook	1	X
40	296219								Pinion—Nose wheel door outboard lock eccentric	1	X
41	196243								Adjuster Assembly—Nose wheel landing gear door lock eccentric	1	X
42	AN4-14								Bolt—Aircraft 1/4-28	1	X
43	AN960D416								Washer—Plain	1	X
44	AN310-4								Nut—Aircraft castle	1	X
45	296231								Cover—Landing gear door lock spring	1	X
46	196232-1								Rod—Landing gear doors hook actuator	1	X
47	AN665-21R								Terminal—Thread clevis type tie rod	1	X
48	AN315-3R								Nut—Aircraft plain	3	X
49	196220								Retainer—Landing wheel doors lock spring	2	X
50	196228								Spring—Nose wheel door outboard hook lock	1	X
	558447								Brackets Installation—Right hand wing sta 188.5 emergency oil shut off valve pulley	NP	X
51	558447-2								Bracket Assembly—Right hand wing sta 188.5 emergency oil shut off valve pulley	1	X
	558447-4								Bracket Assembly—Right hand wing sta 188.5 emergency oil shut off valve pulley	1	X
	558830								Brackets Installation—Jet bay #2 throttle control	NP	DE
	558720								Brackets Installation—Jet bay #3 throttle control	NP	DE
	558832								Brackets Installation—Jet bay #4 throttle control	NP	DE
	558824								Brackets Installation—Jet bay #5 throttle control	NP	DE
	558829								Brackets Installation—Jet bay #6 throttle control	NP	DE
	558828								Brackets Installation—Jet bay #7 throttle control	NP	DE
	557242								Brackets Installation—Wing sta 281.5 throttle control pulley LH	NP	DE
	557242-1								Brackets Installation—Wing sta 281.5 throttle control pulley RH	NP	DE
	556638								Blanket Installation—Center wing anti-icing rib insulating LH	NP	X
	556638-1								Blanket Installation—Center wing anti-icing rib insulating RH	NP	X
52	1310								Blanket—LH (TMH)	1	X
	1310-1								Blanket—RH (TMH)	1	X
	551157								Hydraulic Installation—Center wing aft leading edge	NP	X
	551999								Lines Installation—Left hand center wing leading edge brake	1	X
53	555223								Lines Assembly—Left hand center wing leading edge brake	1	X

CENTER WING GROUP

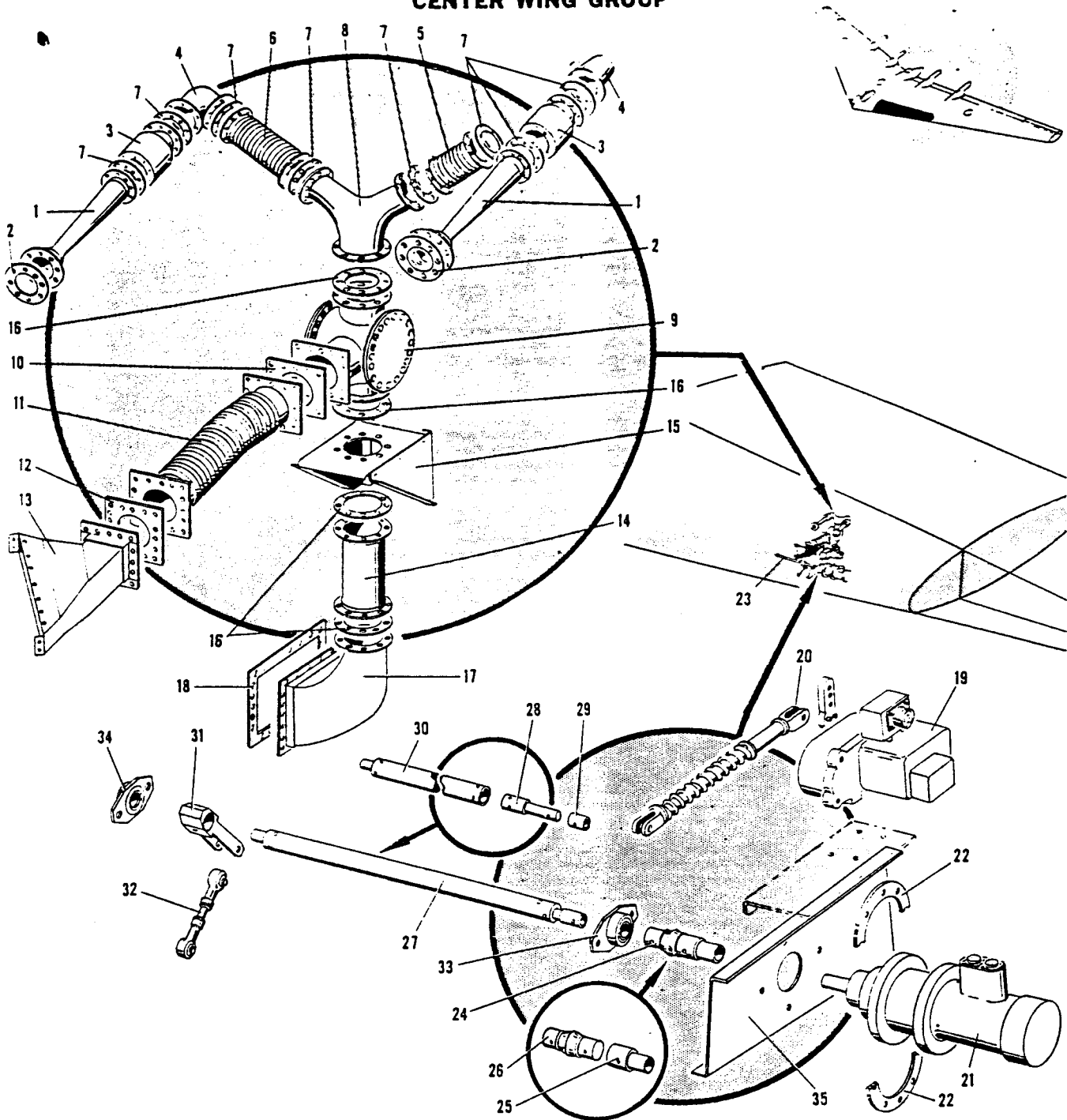


FIGURE 18—PLENUM CHAMBER VALVE AND WASTE GATE CONTROLS

PLENUM CHAMBER VALVE AND WASTE GATE CONTROLS

FIGURE & INDEX NUMBER	PART NUMBER	1	2	3	4	5	6	7	NOMENCLATURE	UNITS PER ASSEM	USAGE CODE
									Plenum Chamber Valve and Waste Gate Controls.....		
	586529								Valve Installation—Heating and Ventilating plenum chamber LH (For next assembly see page 35).....	NP	X
	586530								Valve Installation—Heating and ventilating plenum chamber RH (For next assembly see page 35).....	NP	X
18 - 1	91077								Nozzle—Outline flow limiting (AIR).....	2	X
	186957								Gasket—Heating and ventilating plenum chamber venturi.....	2	X
	90500								Valve Assembly—Outline 2-1/2 inch check (AIR).....	2	X
	456308								Elbow Assembly—Heating and ventilating plenum chamber.....	2	X
	S67353B								Duct (CME).....	1	X

CENTER WING GROUP
PLENUM CHAMBER VALVE AND WASTE GATE CONTROLS

FIGURE & INDEX NUMBER	PART NUMBER	NOMENCLATURE	UNITS PER ASSEMBY	USAGE CODE
18 - 6	S67356B	Duct (CME)	1	X
7	256367	Gasket—Heating and ventilating plenum chamber valve and duct	8	X
	AN525-10-8	Screw—Washer head	128	X
	AN960D10	Washer—Plain	348	X
	AN365-1032	Nut—Self locking	148	X
8	556247	Duct Assembly—Heating and ventilating plenum chamber "Y"	1	X
9	2913	Valve—Outline flow selector (AIR)	1	X
10	186550	Ring—Selector valve inlet reinforcing	1	X
11	K7137-16	Duct—LH (USR)	1	X
	K7137-17	Duct—RH (USR)	1	X
12	186549	Ring—Rammed air valve inlet reinforcing	1	X
13	556125	Intake Assembly—Heating and ventilating rammed air	1	X
	AN530-10-8	Screw—Round head sheet metal	14	X
	AN525-10-11	Screw—Washer head	4	X
	AN960D10	Washer—Plain	18	X
	AN365-1032	Nut—Self locking	4	X
14	456244	Duct Assembly—Heating and ventilating plenum chamber	1	X
15	486543	Support Assembly—Heating and ventilating valve	1	X
16	486539	Gasket—Heating and ventilating pipe joint	4	X
	AN525-10-12	Screw—Washer head	48	X
	AN525-10-10	Screw—Washer head	24	X
	AN960D10	Washer—Plain	102	X
	AN365-1032	Nut—Self locking	68	X
17	586995	Elbow Assembly—Heating and ventilating duct filter	1	X
18	487011	Gasket—Heating and ventilating filter holder inlet	1	X
	586681	Controls Installation—Heating and ventilating inboard waste gate LH (For next assembly see page 35)	NP	X
	586682	Controls Installation—Heating and ventilating inboard waste gate RH (For next assembly see page 35)	NP	X
19	6913-3	Motor (WR)	1	X
20	286711	Link Assembly—Heating and ventilating cabin heater valve controls LH	1	X
	286690	Link Assembly—Heating and ventilating cabin heater valve controls RH	1	X
21	586681-602	Motor—LH (Make from D2163-2 Ritter)	1	X
	586682-602	Motor—RH (Make from D2163-2 Ritter)	1	X
Attaching Parts				
	AN4-11A	Bolt—Aircraft 1 4-28	4	X
	AN4-37	Bolt—Aircraft 1 4-28	4	X
	AN960-416	Washer—Plain	4	X
	AN960-416L	Washer—Plain	4	X
	AN310-4	Nut—Aircraft castle	4	X
22	259349	Ring Assembly—Motor mount retaining	1	X
23	486679	Shaft Assembly—Heating and ventilating inboard waste gate controls LH	1	X
	486680	Shaft Assembly—Heating and ventilating inboard waste gate controls RH	1	X
24	486679-10	Shaft Assembly—Heating and ventilating inboard waste gate controls LH	1	X
	486680-10	Shaft Assembly—Heating and ventilating inboard waste gate controls RH	1	X
25	256627	Coupling—Heating and ventilating inboard waste gate controls	1	X
26	186706	Joint—Heating and ventilating inboard waste gate controls universal	1	X
27	486679-20	Shaft Assembly—Heating and ventilating inboard waste gate controls LH	1	X
	486680-20	Shaft Assembly—Heating and ventilating inboard waste gate controls RH	1	X
28	186702	Adapter—Heating and ventilating inboard waste gate controls drive shaft	1	X
29	186703	Bushing—Heating and ventilating inboard waste gate controls	1	X
30	486679-1	Shaft—Heating and ventilating inboard waste gate controls LH	1	X
	486680-1	Shaft—Heating and ventilating inboard waste gate controls RH	1	X
Attaching Parts				
	AN23-18	Bolt—Clevis 10-32	2	X
	AN960-10	Washer—Plain	2	X
	AN320-3	Nut—Aircraft shear	2	X
31	186676	Arm—Heating and ventilating inboard waste gate controls drive shaft crank	1	X
Attaching Parts				
	AN23-22	Bolt—Clevis 10-32	1	X
	AN960-10	Washer—Plain	1	X
	AN320-3	Nut—Aircraft shear	1	X
32	186674	Rod Assembly—Heating and ventilating inboard waste gate to drive shaft push pull	1	X
Attaching Parts				
	AN23-17	Bolt—Clevis 10-32	1	X
	AN23-15	Bolt—Clevis 10-32	1	X
	AN960-10L	Washer—Plain	2	X
	AN320-10	Nut—Aircraft shear	2	X
33	260625	Bearing Assembly—Heating and ventilating inboard waste gate controls forward	1	X
34	260624	Bearing Assembly—Heating and ventilating inboard waste gate controls aft	1	X
35	586681-603	Plate—Heating and ventilating inboard waste gate controls	1	X

CENTER WING GROUP
CENTER WING AFT LEADING EDGE ELECTRICAL

FIGURE & INDEX NUMBER	PART NUMBER	1	2	3	4	5	6	7	NOMENCLATURE	UNITS PER ASSEM	USAGE CODE
	584541								Electrical Installation—Center wing aft leading edge LH (For next assembly see page 35)	NP	ALL
	584542								Electrical Installation—Center wing aft leading edge RH (For next assembly see page 35)	NP	ALL
	552826								Electrical Installation—Nose wheel well	NP	ALL
19 - 1	584652								Switch Installation—Nose wheel forward door up limit	NP	ALL
	259471								Cover Assembly—Single microswitch and actuator	1	ALL
	MC2711								Housing—Switch (MCS)	1	ALL
	BZ3YT								Switch—Micro (MCS)	1	ALL
	584645								Switch Installation—Nose wheel forward door down limit	NP	ALL
2	259471								Cover Assembly—Single microswitch and actuator	2	ALL
3	MC2711								Housing—Switch (MCS)	2	ALL
4	BZ3YT								Switch—Micro (MCS)	2	ALL
5	484647								Actuator Assembly—Forward nose wheel door limit switches	1	ALL
6	NAS11-5-2.875								Rod—Control	1	ALL
7	AN4-10								Bolt—Aircraft 1/4-28	1	ALL
8	AN24-10								Bolt—Clevis 1/4-28	1	ALL
9	AN24-16								Bolt—Clevis 1/4-28	1	ALL
10	AN960-416L								Washer—Plain	1	ALL
11	AN960D416								Washer—Plain	3	ALL
12	AN960A416L								Washer—Plain	2	ALL
13	AN320-4								Nut—Aircraft shear	3	ALL
14	584651								Switch Installation—Nose wheel aft door down limit	NP	ALL
	259471								Cover Assembly—Single microswitch and actuator	2	ALL
	MC2711								Housing—Switch (MCS)	2	ALL
	BZ3YT								Switch—Micro (MCS)	2	ALL
	484649								Actuator Assembly—Aft nose wheel door limit switch	1	ALL
	AN486-2								Clevis—Rod end adjusting	2	ALL
	AN316-4R								Nut—Aircraft check	2	ALL
	584651-1								Stud—Nose wheel aft door down limit	1	ALL
	AN4-11								Bolt—Aircraft 1/4-28	1	ALL
	AN24-11								Bolt—Clevis 1/4-28	2	ALL
	AN960D416								Washer—Plain	3	ALL
	AN960-416L								Washer—Plain	4	ALL
	AN320-4								Nut—Aircraft shear	3	ALL
15	459290								Cover Assembly—Nose gear well DC power distributor panel	1	ALL
16	454362								Panel Assembly—Nose gear well DC power distributor	1	ALL
	F3H1								Base—Limiter type F3H1 (BE)	3	ALL
	F1L30								Limiter—(BE)	9	ALL
17	552738								Panel Assembly—Nose wheel well relay complete	1	ALL
	552739								Panel Assembly—Nose wheel well relay	1	ALL
	9565H6								Relay—Type 648 (CUT)	3	ALL
	9565H2A								Relay—Type 652 (CUT)	3	ALL
	9565H1								Relay—Type 653 (CUT)	1	X
	NS47E								Relay—(ELP)	2	ALL
	PA-15								Breaker—Circuit (SPT)	1	ALL
	PA-5								Breaker—Circuit (SPT)	1	ALL
	B10-504								Relay—Type B4 (Spec 94-32324) (GFP) (AER 42-6550)	1	ALL
	FH3H2								Base—Limiter (BE)	2	ALL
	F1L40								Limiter—(BE)	1	ALL
	F1L50								Limiter—(BE)	1	ALL
	F1H1								Base—Limiter (BE)	3	ALL
	F3L30								Limiter—(BE)	3	ALL
	A306								Strip—Terminal (BRH)	1	ALL
	A302								Strip—Terminal (BRH)	1	ALL
18	9505H1								Relay—(CUT)	1	ALL
19	458846								Cable Assembly—Secondary hydraulic pump relay to secondary hydraulic pump	1	ALL
20	458847								Cable Assembly—Secondary pump relay to nose well relay panel	1	ALL
21	No Number								Jar—1 pint round glass (BALL MASON, MUNCIE, INDIANA)	1	ALL
22	A1140-3								Cap Assembly—(NAM)	1	ALL
23	156664								Pad—Battery vent trap	1	ALL
24	2562-33								Ring—Sealing (RH)	1	ALL
25	A5934-1								Clamp—(TIN)	1	ALL
26	456631								Bracket Assembly—Battery vent trap	1	ALL
27	No Number								Transformer—Regulator stabilizing (spec 32485A)	1	ALL
28	AN3151								Battery—(GFP) (AER 42-350)	1	ALL
29	550935								Support Assembly—Bracket	1	ALL
30	AN520-10R10								Screw—Round head machine fine thread	10	ALL
31	AN960D10								Washer—Plain	10	ALL
32	558912								Jacket Assembly—Battery electrical heating	1	ALL
33	252869								Rod Assembly—AN3151 battery tie down	2	ALL
34	454060								Cable Assembly—Battery disconnect relay to nose gear well DC power panel	1	ALL
35	454094								Cable Assembly—Battery to nose wheel well relay panel	1	ALL
36	460199								Cable Assembly—Battery heater to pressureid plug "H"	1	ALL
37	552826-2								Tube—Nose wheel well electrical	1	ALL
38	552826-6								Tube—Nose wheel well electrical	1	ALL
39	AN748-30								Clamp—Hose	4	ALL
	558960								Lamp Installation—Nose wheel well	NP	ALL
40*	NAF215395-1								Cover	1	ALL
41	AN3039-3								Light Assembly—Vapor proof cabin dome	1	ALL
42	AN3133-311								Lamp—S11 bulb single contact candelabra bayonet base	1	ALL
43	AN3022-2								Switch—3 Hole mounting single pole toggle	1	ALL
44	460031								Cable Assembly—Nose wheel well light switch	1	ALL

CENTER WING GROUP

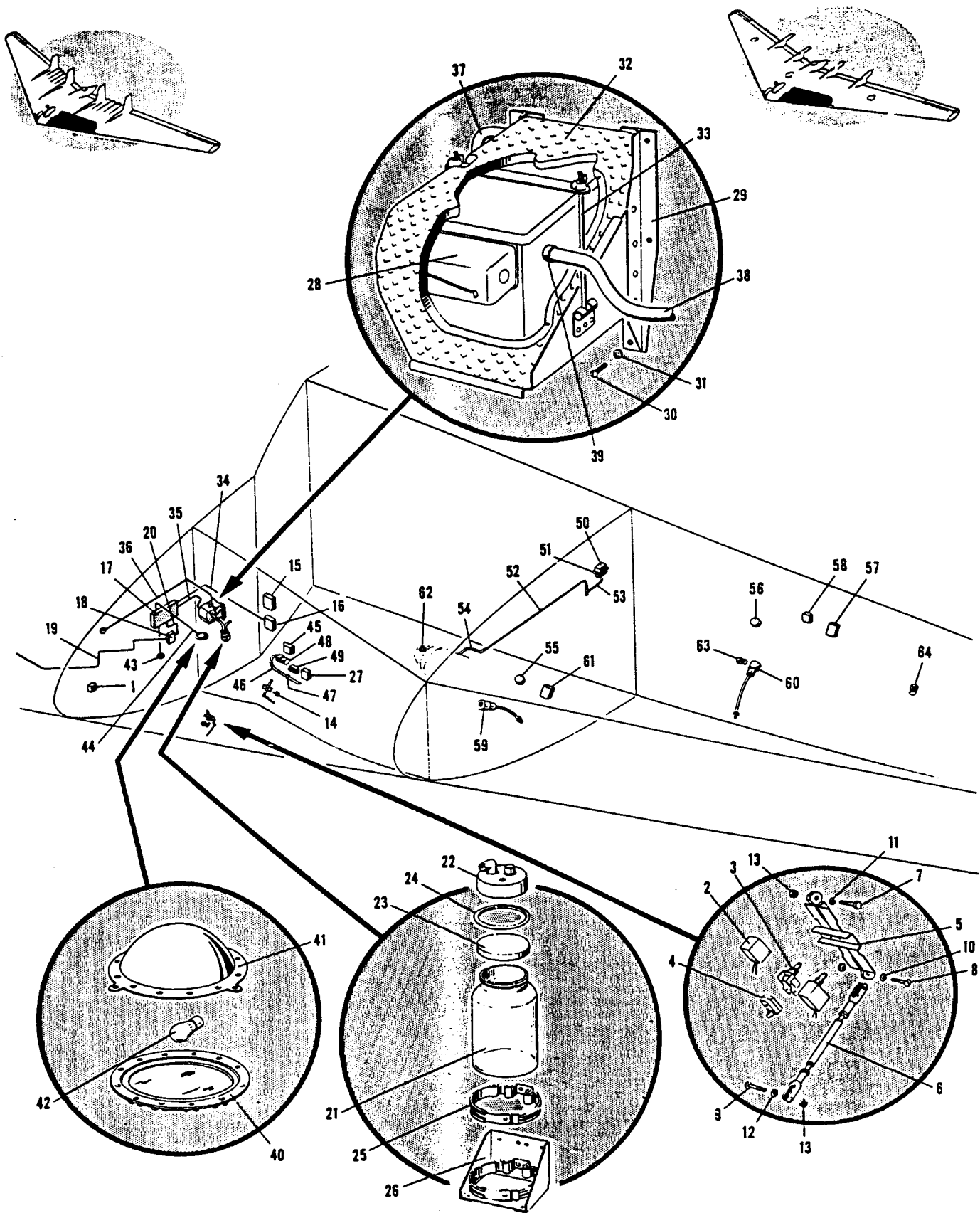
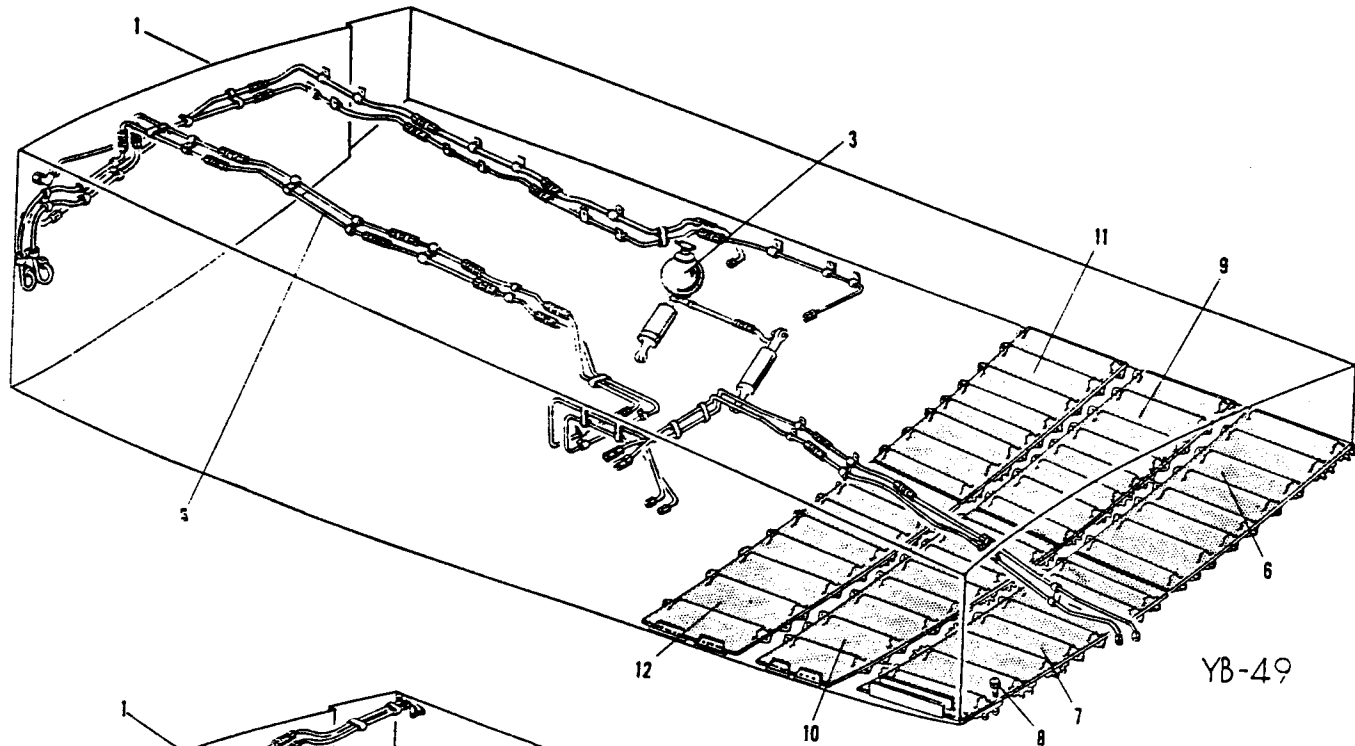
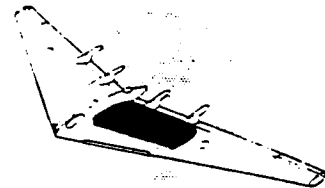
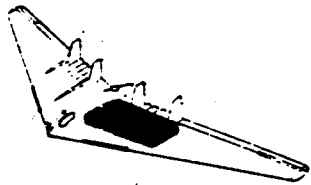


FIGURE 19—CENTER WING AFT LEADING EDGE ELECTRICAL

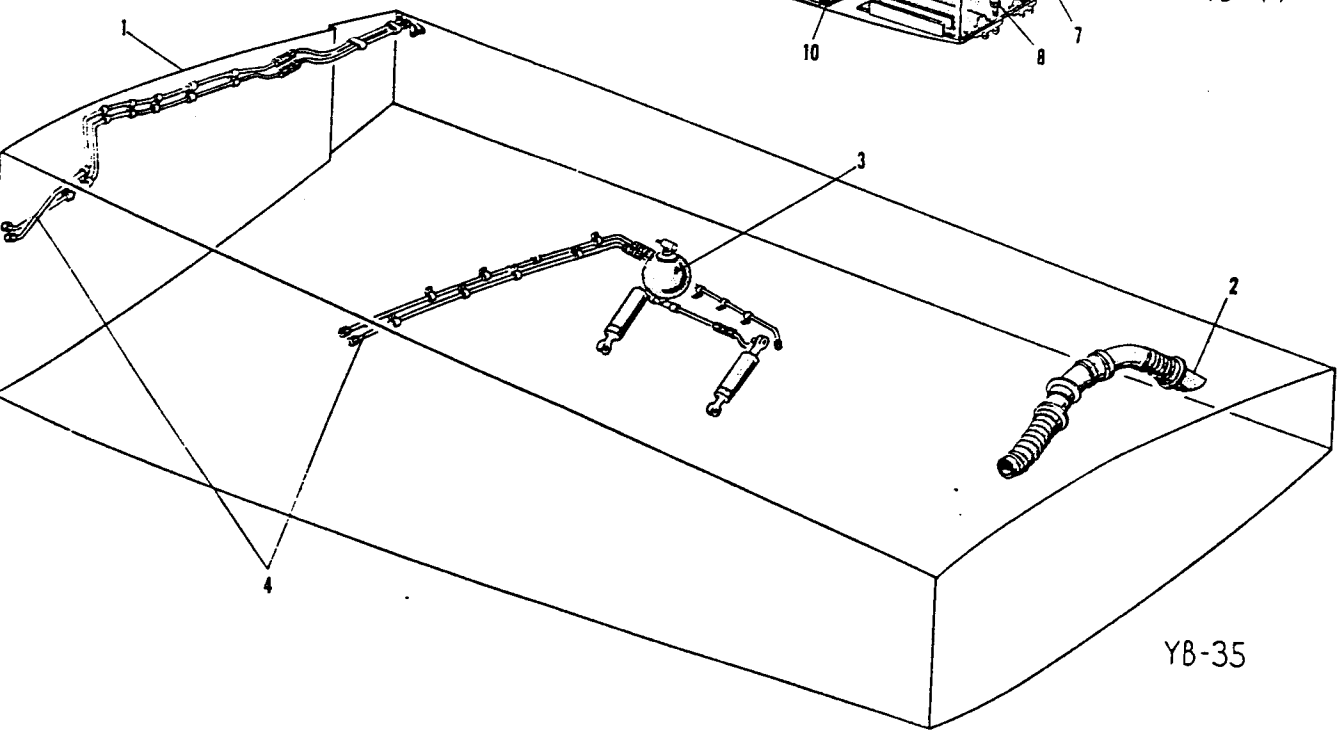
CENTER WING GROUP
CENTER WING AFT LEADING EDGE ELECTRICAL

FIGURE & INDEX NUMBER	PART NUMBER	1	2	3	4	5	6	7	NOMENCLATURE	UNITS PER ASSEM	USAGE CODE
19 - 45	460273	Cover Assembly—Nose gear well DC limiter panel	1	ALL
46	254245	Duct—Nose wheel well auxiliary generator air	1	ALL
47	AN748-74	Clamp—Hose	2	ALL
48	No Number	Generator—Westinghouse electric motor (Type DK209380) (GFP)	1	ALL
49	AN3200-300	Shunt—Ammeter (GFP)	1	ALL
	584537	Pressuretrol Installation—Inboard LH	NP	X
	584538	Pressuretrol Installation—Inboard RH	NP	X
50	PG7000A3	Pressuretrol—(GFP)	1	X
51	QG194A1	Rack—(GFP)	11	X
Attaching Parts											
	NAS221-13	Screw—Brazil head Phillips recess 10-32	2	X
	AN960D10	Washer—Plain	2	X
	AN365-1032	Nut—Self locking	2	X
52	584537-8	Tube—Inboard pressuretrol LH	1	X
	584538-8	Tube—Inboard pressuretrol RH	1	X
53	584537-10	Tube—Inboard pressuretrol	1	X
54	A16270-4-14	Hose—Low pressure flared tube swivel	1	X
Attaching Parts											
	AN826-4D	Tee—Flared tube pipe thread on run	1	X
	AN818-6D	Nut—Coupling	3	X
	AN819-5Z	Sleeve—Coupling	3	X
	AN919-6D	Reducer—External thread flare tube	1	X
	AN840-4D	Adapter—Nose to pipe thread	2	X
	AN816-6-2D	Nipple—Flared tube and pipe thread	2	X
	AN806D6	Plug—Flared tube	1	X
	AN917-1D	Tee—Internal pipe thread	1	X
	AN822-4D	Elbow—Flared tube pipe thread 90°	1	X
	755-6-2-6	Clip—(AP)	8	X
	584735	Switch Installation—Inboard rammed air differential pressure LH	NP	X
	584736	Switch Installation—Inboard rammed air differential pressure RH	NP	X
	584735-10	Bracket Assembly—Inboard rammed air differential pressure LH	1	X
	584736-10	Bracket Assembly—Inboard rammed air differential pressure RH	1	X
55	CR2927D100A1	Switch—(GE)	2	X
	584737	Switch Installation—Outboard rammed air differential pressure LH	NP	X
	584738	Switch Installation—Outboard rammed air differential pressure RH	NP	X
	584737-10	Bracket Assembly—Outboard rammed air differential pressure LH	1	X
	584738-10	Bracket Assembly—Outboard rammed air differential pressure RH	1	X
56	CR2927D100A1	Switch—(GE)	2	X
	584549	Box Installation—Outboard turbo regulator nacelle junction LH	NP	X
	584550	Box Installation—Outboard turbo regulator nacelle junction RH	NP	X
57	W111A	Box—Junction (MH) (GFP)	1	X
	584719	Switch Installation—Intercooler flaps change over thermostat LH	NP	X
	584720	Switch Installation—Intercooler flaps change over thermostat RH	NP	X
58	6508-3	Thermostat—(WR)	1	X
	556153	Governor Installation—Turbos #4 and #5 LH	NP	X
	556153-1	Governor Installation—Turbos #4 and #5 RH	NP	X
59	G1057A3CA4	Governor—Turbo (GFP) (AER 42-6315)	1	X
	IA7904-0	Adapter Assembly—Model ZA29 (BSL)	1	X
	3702Y10.75	Shaft—Flexible LH (WD)	1	X
	3702Y800	Shaft—Flexible RH (WD)	1	X
	456154	Bracket—Turbos #4 and #5 governor	1	X
	556155	Governor Installation—Turbos #2 and #7 LH	NP	X
	556155-1	Governor Installation—Turbos #2 and #7 RH	NP	X
60	G1057A3CA4	Governor—Turbo (GFP) (AER 42-6315)	1	X
	IA7904-0	Adapter Assembly—Model ZA29 (BSL)	1	X
	3702Y16	Shaft—Flexible (WD)	1	X
	456156	Bracket—Turbos #2 and #7 governor	1	X
61	B304	Terminal Assembly—(BRH)	1	X
62	AN5525-2	Bulb—Temperature (GFP)	1	X
63	CR2992A107A1	Element—Thermosensitive (GE)	2	X
64	CR2992A101A2	Element—Thermosensitive (GE)	1	U
	553831-10	Conduit—Rigid	1	X
	459096	Cable Assembly—Engine #2 forward section fire detectors to terminal panel	1	ALL
	459097	Cable Assembly—Engine #3 forward section fire detectors to terminal panel	1	ALL
	459098	Cable Assembly—Engine #2 oil cooler fire detectors to terminal panel	1	ALL
	459099	Cable Assembly—Engine #3 oil cooler fire detectors to terminal panel	1	ALL
	459639	Cable Assembly—Left hand outboard nacelle junction box to air pressure switch	1	ALL
	459642	Cable Assembly—Right hand outboard nacelle junction box to air pressure switch	1	ALL
	459644	Cable Assembly—Left hand outboard nacelle junction box to waste gate motor	1	ALL
	459647	Cable Assembly—Right hand outboard nacelle junction box to waste gate motor	1	ALL
	459667	Cable Assembly—Left hand outboard nacelle junction box to pressuretrol	1	ALL
	459664	Cable Assembly—Right hand outboard nacelle junction box to pressuretrol	1	ALL
	459668	Cable Assembly—Left hand outboard nacelle junction box to turbo governor	1	ALL
	459671	Cable Assembly—Right hand outboard nacelle junction box to turbo governor	1	ALL
	458883	Cable Assembly—Engine #1 disconnect box to ignition motor block unit	1	ALL
	458881	Cable Assembly—Engine #4 disconnect box to ignition motor block unit	1	ALL

CENTER WING GROUP



YB-49



YB-35

FIGURE 20—CENTER WING CENTER SECTION ASSEMBLY

RESTRICTED

CENTER WING GROUP
CENTER WING CENTER SECTION ASSEMBLY

FIGURE & INDEX NUMBER	PART NUMBER	1	2	3	4	5	6	7	NOMENCLATURE	UNITS PER ASSEM	USAGE CODE
	594395								Center Section Assembly—Center wing LH (For next assembly see page 32)	NP	ALL
	594396								Center Section Assembly—Center wing RH (For next assembly see page 32)	NP	ALL
20 - 1	594397								Structure Assembly—Center wing center section LH (For detail breakdown see page 45)	1	ALL
	594398								Structure Assembly—Center wing center section RH (For detail breakdown see page 45)	1	ALL
2	586987								Aspirator Installation—Heat and vent sta 338 outboard engine LH (For detail breakdown see page 47)	NP	X
	586988								Aspirator Installation—Heat and vent sta 338 outboard engine RH (For detail breakdown see page 47)	NP	X
3	552128								Bungee Installation—Main landing gear LH (For detail breakdown see page 49)	NP	ALL
	552128-1								Bungee Installation—Main landing gear RH (For detail breakdown see page 49)	NP	ALL
	584543								Electrical Installation—Center wing center section LH (For detail breakdown see pages 51 & 53)	1	ALL
	584544								Electrical Installation—Center wing center section RH (For detail breakdown see pages 51 & 53)	1	ALL
4	551156-2								Hydraulic Installation—Center wing center section LH	NP	X
	551156-4								Hydraulic Installation—Center wing center section RH	NP	X
	554790								Lines Installation—Left hand center wing brake	NP	X
	554200								Lines Installation—Wing sta 44 LH rib hydraulics	NP	X
	554645								Lines Installation—Wing sta 44 RH rib hydraulics	NP	X
	554646								Lines Installation—Right hand center wing sta 44 to trunnion brake	NP	X
5	557269-2								Hydraulic Installation—Center wing center section LH	NP	DE
	557269-4								Hydraulic Installation—Center wing center section RH	NP	DE
	557513								Lines Installation—Wing sta 44 LH rib hydraulics	NP	DE
	557267								Lines Installation—Wing sta 44 RH rib hydraulics	NP	DE
	557162								Lines Installation—Center wing sta 44 to 281.5 hydraulic gage LH	NP	DE
	557162-1								Lines Installation—Center wing sta 44 to 281.5 hydraulic gage RH	NP	DE
	557161								Lines Installation—Left hand center wing sta 44 to trunnion brake	NP	DE
	554646								Lines Installation—Right hand center wing sta 44 to trunnion brake	NP	DE
	556517								Lines Installation—Wing sta 281.5 to wing sta 440.5 center section hydraulics LH	NP	DE
	556517-1								Lines Installation—Wing sta 281.5 to wing sta 440.5 center section hydraulics RH	NP	DE
	556816								Doors Installation—Sta 360.5 to sta 400 jet compartment LH	NP	DE
	556816-1								Doors Installation—Sta 360.5 to sta 400 jet compartment RH	NP	DE
6	556616								Door Assembly—Sta 360.5 to sta 400 jet compartment aft LH	1	DE
	556616-1								Door Assembly—Sta 360.5 to sta 400 jet compartment aft RH	1	DE
7	556617								Door Assembly—Sta 360.5 to sta 400 jet compartment forward LH	1	DE
	556617-1								Door Assembly—Sta 360.5 to sta 400 jet compartment forward RH	1	DE
8	259712								Attaching Parts Bolt—Jet compartment doors attaching	54	DE
	556817								Doors Installation—Sta 321.0 to sta 360.5 jet compartment LH	NP	DE
	556817-1								Doors Installation—Sta 321.0 to sta 360.5 jet compartment RH	NP	DE
9	556618								Door Assembly—Sta 321 to sta 360.5 jet LH compartment aft	1	DE
	556618-1								Door Assembly—Sta 321 to sta 360.5 jet RH compartment aft	1	DE
10	556619								Door Assembly—Sta 321 to sta 360.5 jet LH compartment forward	1	DE
	556619-1								Door Assembly—Sta 321 to sta 360.5 jet RH compartment forward	1	DE
	259712								Attaching Parts Bolt—Jet compartment doors attaching	53	DE
	556818								Doors Installation—Sta 281.5 to sta 321 jet compartment LH	NP	DE
	556818-1								Doors Installation—Sta 281.5 to sta 321 jet compartment RH	NP	DE
11	556620								Door Assembly—Sta 281.5 to sta 321 jet LH compartment aft	1	DE
	556620-1								Door Assembly—Sta 281.5 to sta 321 jet RH compartment aft	1	DE
12	556621								Door Assembly—Sta 281.5 to sta 321 jet compartment forward LH	1	DE
	556621-1								Door Assembly—Sta 281.5 to sta 321 jet compartment forward RH	1	DE
	259712								Attaching Parts Bolt—Jet compartment doors attaching	52	DE

CENTER WING GROUP

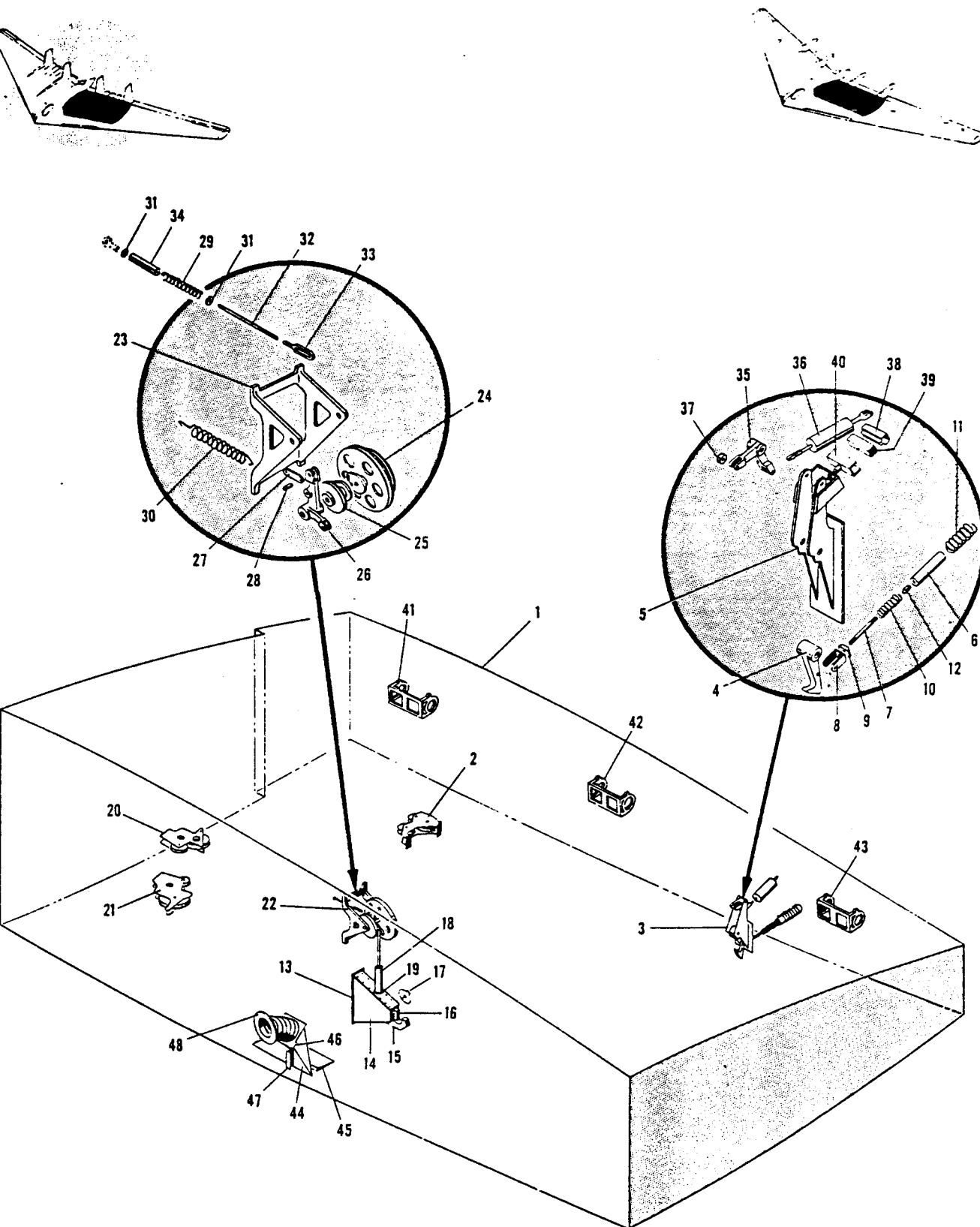


FIGURE 21—CENTER WING CENTER SECTION STRUCTURE

RESTRICTED

CENTER WING GROUP
CENTER WING CENTER SECTION STRUCTURE

FIGURE & INDEX NUMBER	PART NUMBER	1	2	3	4	5	6	7	NOMENCLATURE	UNITS PER ASSEM	USAGE CODE
21 - 1	594397	Structure Assembly—Center wing center section LH (For next assembly see page 43)							NP	ALL	
	594398	Structure Assembly—Center wing center section RH (For next assembly see page 43)							NP	ALL	
2	555447	Bracket Installation—Wing sta 188.5 engine controls pulley LH							NP	X	
	555447-1	Bracket Installation—Wing sta 188.5 engine controls pulley RH							NP	X	
2	555447-22	Bracket Assembly—Engine controls pulley LH							1	X	
	555447-23	Bracket Assembly—Engine controls pulley RH							1	X	
2	594671	Lower Surface Installation—Center wing sta 44 to 338 aft of main landing gear and bomb bay doors LH							NP	ALL	
	594672	Lower Surface Installation—Center wing sta 44 to 338 aft of main landing gear and bomb bay doors RH							NP	ALL	
3	596167	Lock Installation—Main landing gear door aft mechanism hook LH							NP	ALL	
	596168	Lock Installation—Main landing gear door aft mechanism hook RH							NP	ALL	
3	596167-10	Hook Assembly—Main landing gear door aft mechanism							NP	ALL	
	296169	Hook—Main landing gear door aft locking mechanism							1	ALL	
4	296162	Pinion—Main landing gear door aft hook lock mechanism							1	ALL	
	196243	Adjuster—Main landing gear door aft lock eccentric							1	ALL	
5	454213	Support Assembly—Main landing gear door aft locking mechanism							1	ALL	
	AN5-23	Bolt—Aircraft 5 16-24							1	ALL	
5	AN310-5	Nut—Aircraft castle							1	ALL	
	AN960C516	Washer—Plain							2	ALL	
6	AN960A1216L	Washer—Plain							2	ALL	
	252944	Tube—Main landing gear door aft lock spring guide							1	ALL	
7	196232-2	Rod—Main landing gear door hook actuator							1	ALL	
	196407	Clevis—Main landing gear door aft hook lock							1	ALL	
8	196411	Block—Main landing gear door aft hook lock							1	ALL	
	196328	Spring—Main landing gear door aft hook lock							1	ALL	
9	153754	Spring—Main landing gear door aft hook							1	ALL	
	152945	End—Main landing gear door aft hook operating rod							1	ALL	
10	555448	Bracket Installation—Sta 125.5 wing LH mixture control							NP	X	
	596233	Lock Installation—Main landing gear door forward LH							NP	ALL	
11	596234	Lock Installation—Main landing gear door forward RH							NP	ALL	
	596233-2	Hook Mechanism Assembly—Main landing gear door forward LH							1	ALL	
12	596234-2	Hook Mechanism Assembly—Main landing gear door forward RH							1	ALL	
	555684	Bracket Assembly—Main landing gear door forward lock RH							1	ALL	
13	555684-1	Bracket Assembly—Main landing gear door forward lock LH							1	ALL	
	496259	Hook Assembly—Main landing gear door forward lock							1	ALL	
14	155467	Stop—Main landing gear door forward lock							1	ALL	
	255468	Support—Main landing gear door forward lock							1	ALL	
15	196243	Adjuster—Main landing gear door forward lock hook							1	ALL	
	296247	Pinion—Main landing gear door forward lock hook							1	ALL	
16	AN3-15A	Bolt—Aircraft 10-32							1	ALL	
	AN365-1032	Nut—Self locking							1	ALL	
17	AN960D10	Washer—Plain							1	ALL	
	AN4-16A	Bolt—Aircraft 1 4-28							1	ALL	
17	AN365-428	Nut—Self locking							1	ALL	
	AN960D416	Washer—Plain							1	ALL	
17	AN5-20	Bolt—Aircraft 5 16-24							1	ALL	
	AN310-5	Nut—Self locking							1	ALL	
17	AN960C516	Washer—Plain							1	ALL	
	AN6-16A	Bolt—Aircraft 3 8-24							1	ALL	
17	AN365-624	Nut—Self locking							1	ALL	
	AN960D616	Washer—Plain							1	ALL	
18	255463	Spring and Housing Assembly—Main landing gear door forward lock LH							1	ALL	
	255463-1	Spring and Housing Assembly—Main landing gear door forward lock RH							1	ALL	
19	255473	Retainer—Main landing gear door forward lock spring							1	ALL	
	AN3-4A	Bolt—Aircraft 10-32							2	ALL	
19	AN365-1032	Nut—Self locking							2	ALL	
	AN27-90	Bolt—Clevis 7 16-20							1	ALL	
19	AN3DD16A	Bolt—Aircraft 10-32							2	ALL	
	AN23-17A	Bolt—Clevis 10-32							2	ALL	
19	AN23-19	Bolt—Clevis 10-32							1	ALL	
	AN23-25	Bolt—Clevis 10-32							1	ALL	
19	50B103-9	Bolt—Adjusting							1	ALL	
	AN320-7	Nut—Aircraft shear							1	ALL	
19	AN365-1032	Nut—Self locking							6	ALL	
	AN315-3R	Nut—Aircraft plain							2	ALL	
19	AN960D10	Washer—Plain							11	ALL	
	AN960C10L	Washer—Plain							3	ALL	
20	555448-26	Bracket Assembly—Sta 125.5 wing LH mixture control							1	X	
	555366	Bracket Installation—Sta 125.5 wing RH throttle control							NP	X	
21	555366-26	Bracket Assembly—Sta 125.5 wing RH throttle control							1	X	
	555302	Bracket Installation—Main landing gear release mechanism wing sta 215.5 LH							NP	ALL	
21	555302-1	Bracket Installation—Main landing gear release mechanism wing sta 215.5 RH							NP	ALL	
	555302-2	Mechanism Assembly—Wing sta 215.5 main landing gear release LH							1	ALL	
22	555302-3	Mechanism Assembly—Wing sta 215.5 main landing gear release RH							1	ALL	
	Attaching Parts										
22	AN4-10A	Bolt—Aircraft 1 4-28							2	ALL	
	AN365-428	Nut—Self locking							4	ALL	
22	AN960D416	Washer—Plain							8	ALL	
	AN4-11A	Bolt—Aircraft 1 4-28							2	ALL	

CENTER WING GROUP
CENTER WING CENTER SECTION STRUCTURE

FIGURE & INDEX NUMBER	PART NUMBER	1	2	3	4	5	6	7	NOMENCLATURE	UNITS PER ASSEM	USAGE CODE
21 - 23	555301	Bracket—Main landing gear release mechanism wing sta 215.5 LH.....	1	ALL
	555301-1	Bracket—Main landing gear release mechanism wing sta 215.5 RH.....	1	ALL
	455328	Pulley Assembly—Main landing gear emergency release wing sta 215.5 large LH.....	1	ALL
24	455328-1	Pulley Assembly—Main landing gear emergency release wing sta 215.5 large RH.....	1	ALL
	255394	Pulley Assembly—Main landing gear emergency release wing sta 215.5 small LH.....	1	ALL
25	255394-1	Pulley Assembly—Main landing gear emergency release wing sta 215.5 small RH.....	1	ALL
	455374	Crank Assembly—Main landing gear door locks wing sta 215.5 LH.....	1	ALL
26	455374-1	Crank Assembly—Main landing gear door locks wing sta 215.5 RH.....	1	ALL
	255475	Arm Assembly—Main landing gear emergency release mechanism sequencing.....	1	ALL
27	255475	Roller Assembly—Main landing gear emergency release mechanism sequencing arm.....	1	ALL
28	155471	Nut—Aircraft plain.....	1	ALL
	AN315-3R	Bolt—Clevis 10-32.....	1	ALL
	AN23-15	Nut—Aircraft castle.....	1	ALL
	AN310-3	Nut—Self locking thin.....	2	ALL
	AN364-1032	Bolt—Aircraft 1 4-28.....	12	ALL
	AN4-10A	Nut—Self locking.....	12	ALL
	AN365-1032	Washer—Plain.....	24	ALL
	AN960A416	Nut—Aircraft shear.....	2	ALL
	AN320-3	Spring—Main landing gear door locks upper cable tension.....	1	ALL
29	155470	Spring—Main landing gear door locks lower cable tension.....	1	ALL
30	155469	Stop—Main landing gear door locks upper cable tension.....	2	ALL
31	155466	Rod—Landing gear door hook actuator.....	1	ALL
32	196232-5	End—Main landing gear door locks operating crank rod.....	1	ALL
33	255474	Guide—Main landing gear release mechanism spring.....	1	ALL
34	259188	Bolt—Aircraft 10-32.....	1	ALL
	AN3-10	Nut—Aircraft castle.....	1	ALL
	AN310-3	Washer—Plain.....	1	ALL
	AN960D10	Nut—Aircraft plain.....	4	ALL
	AN315-3R	Bolt—Clevis 10-32.....	1	ALL
	AN23-10	Nut—Aircraft shear.....	1	ALL
	AN320-3	Crank Installation—Main landing gear door lock control spring and LH.....	NP	ALL
	454214	Crank Installation—Main landing gear doors lock control spring and RH.....	NP	ALL
	455214-1	Crank Assembly—Main landing gear doors center hook operating LH.....	1	ALL
35	254222	Crank Assembly—Main landing gear doors center hook operating RH.....	1	ALL
	254222-1	Spring and Housing —Main landing gear doors lock cable lower tension.....	1	ALL
36	254221	Roller Assembly—Main landing gear down lock release crank.....	1	ALL
37	153362	Cover Assembly—Single micro switch and actuator.....	1	ALL
38	259471	Switch—Micro (MCS).....	1	ALL
39	YZ-R31	Actuator—Micro switch (MCS).....	1	ALL
40	MC2711	Bolt—Aircraft 1/4-28.....	1	ALL
	AN4-20	Nut—Aircraft castle.....	1	ALL
	AN310-4	Washer—Plain.....	2	ALL
	AN960D416	Bolt—Aircraft 10-32.....	1	ALL
	AN3-6	Bolt—Aircraft 10-32.....	1	ALL
	AN3-11	Nut—Aircraft castle.....	2	ALL
	AN310-3	Washer—Plain.....	2	ALL
	AN960D10	Brackets Installation—Landing flap actuator support LH.....	NP	ALL
	550835	Brackets Installation—Landing flap actuator support RH.....	NP	ALL
41	550835-1	Bracket Assembly—Landing flap sta 55.80 actuator support LH.....	1	ALL
	550831	Bracket Assembly—Landing flap sta 55.80 actuator support RH.....	1	ALL
42	550831-1	Bracket Assembly—Landing flap sta 175 actuator support LH.....	1	ALL
	550832	Bracket Assembly—Landing flap sta 175 actuator support RH.....	1	ALL
43	550832-1	Bracket Assembly—Landing flap sta 300.36 actuator support LH.....	1	X
	550833	Bracket Assembly—Landing flap sta 300.36 actuator support RH.....	1	X
	550833-1	Valve Installation—Inboard collector shroud LH.....	NP	X
	591015-10	Valve Installation—Inboard collector shroud RH.....	NP	X
	591016-10	Duct Assembly—Inboard collector shroud valve LH.....	1	X
44	591021	Duct Assembly—Inboard collector shroud valve RH.....	1	X
	591022	Flap Assembly—Inboard collector shroud valve LH.....	1	X
45	591017	Flap Assembly—Inboard collector shroud valve RH.....	1	X
	591018	Support Assembly—Inboard collector shroud valve LH.....	1	X
46	291027	Support Assembly—Inboard collector shroud valve RH.....	1	X
	291028	Support Assembly—Inboard collector shroud valve LH.....	1	X
47	291029	Support Assembly—Inboard collector shroud valve RH.....	1	X
	291030	Coupling Assembly—Inboard collector shroud valve LH (CME).....	1	X
48	S64230C	Coupling Assembly—Inboard collector shroud valve RH (CME).....	1	X
	S64452C			

CENTER WING GROUP
MAIN LANDING GEAR BUNGEE

FIGURE & INDEX NUMBER	PART NUMBER	1	2	3	4	5	6	7	NOMENCLATURE	UNITS PER ASSEM	USAGE CODE
	552128	Bungee Installation—Main landing gear LH (For next assembly see page 43)							NP	ALL	
	552128-1	Bungee Installation—Main landing gear RH (For next assembly see page 43)							NP	ALL	
23 - 1	2866	Cylinder—Main landing gear (SVL)							2	ALL	
Attaching Parts											
	AN4-10A	Bolt—Aircraft (1.4-28)							2	ALL	
	AN7-16	Bolt—Aircraft (7.16-20)							2	ALL	
	AN960D416	Washer—Plain							2	ALL	
	AN960-716	Washer—Plain							2	ALL	
	AN365-428	Nut—Self locking							2	ALL	
	AN310-7	Nut—Aircraft castle							2	ALL	
2	2884	End Assembly—Rod (SVL)							1	ALL	
3	2921	Nut—Lock (SVL)							1	ALL	
4	2878	Rod Assembly—Piston (SVL)							1	ALL	
5	2849	Ring—Wiper Retainer (SVL)							1	ALL	
6	2681-9	Ring—Wiper (SVL)							1	ALL	
7	NAS50-262	Ring—Snap							1	ALL	
8	2881	Plate Assembly—End (SVL)							1	ALL	
9	2880	Piston—(SVL)							1	ALL	
10	2879	Pin—Piston (SVL)							1	ALL	
11	2894	Ring—Retainer (SVL)							1	ALL	
12	AN6227-19	Packing—"O" ring hydraulic							1	ALL	
13	AN6227-33	Packing—"O" ring hydraulic							1	ALL	
14	2922	Barrel—(SVL)							1	ALL	
15	2885	Pin—Swivel (SVL)							2	ALL	
16	2920	Bearing Assembly—(SVL)							2	ALL	
17	AN6227-15	Packing—"O" ring hydraulic							1	ALL	
18	AN3-26A	Bolt—Aircraft 10-32							1	ALL	
19	AN365-1032	Nut—Self locking							1	ALL	
	452226	Tank Assembly—Main landing gear bungee pressure							1	ALL	
20	404730	Tank Assembly—Air (PDI)							1	ALL	
21	252130	Fitting—Main landing gear bungee pressure tank air inlet							1	ALL	
	AN775-5D	Bolt—Universal							1	ALL	
	AN901-5A	Gasket—Metal tube connecting seal							1	ALL	
22	AN834-6D	Tee—Flared tube bulkhead and universal							1	ALL	
	AN924-6D	Nut—Flared tube universal							1	ALL	
	AN902-6	Gasket—Flared tube universal fitting							1	ALL	
	AN902-8	Gasket—Flared tube universal fitting							1	ALL	
	AN893-12D	Bushing—Screw thread reducer							1	ALL	
23	452131	Support Assembly—Main landing gear bungee pressure tank							1	ALL	
24	452232	Support Assembly—Main landing gear bungee pressure tank lower LH							1	ALL	
	452232-1	Support Assembly—Main landing gear bungee pressure tank lower RH							4	ALL	
	AN3-7A	Bolt—Aircraft 10-32							4	ALL	
	AN960D10	Washer—Plain							4	ALL	
	AN365-1032	Nut—Self locking							NP	ALL	
25	552465	Lines Assembly—Main landing gear bungee LH							NP	ALL	
	552466	Lines Assembly—Main landing gear bungee RH							1	ALL	
26	AN5769-1	Gage—Hydraulic system pressure							1	ALL	
27	252129	Block—Main landing gear bungee cylinder and tank filler							2	ALL	
28	152864	Spacer—Main landing gear bungee filler block bolt							2	ALL	
Attaching Parts											
	AN3-22A	Bolt—Aircraft 10-32							2	ALL	
	AN960D10	Washer—Plain							2	ALL	
	AN365-1032	Nut—Self locking							2	ALL	
	AN833-6D	Elbow—Flared tube bulkhead and universal 90°							4	ALL	
	AN924-6D	Nut—Flared tube universal							4	ALL	
	AN902-6	Gasket—Flared tube universal fitting							5	ALL	
	AN832-4D	Union—Flared tube 3/8 bulkhead and universal							1	ALL	
	AN924-4D	Nut—Flared tube universal							1	ALL	
	AN902-4	Gasket—Flared tube universal fitting							2	ALL	
	AN814-6D	Plug and Bleeder—Screw thread							1	ALL	
	AN815-6D	Union—Flared tube							1	ALL	
29	152225	Clip—Main landing gear pressure line							1	ALL	

RESTRICTED
AN 01-15EAA-4
CENTER WING GROUP

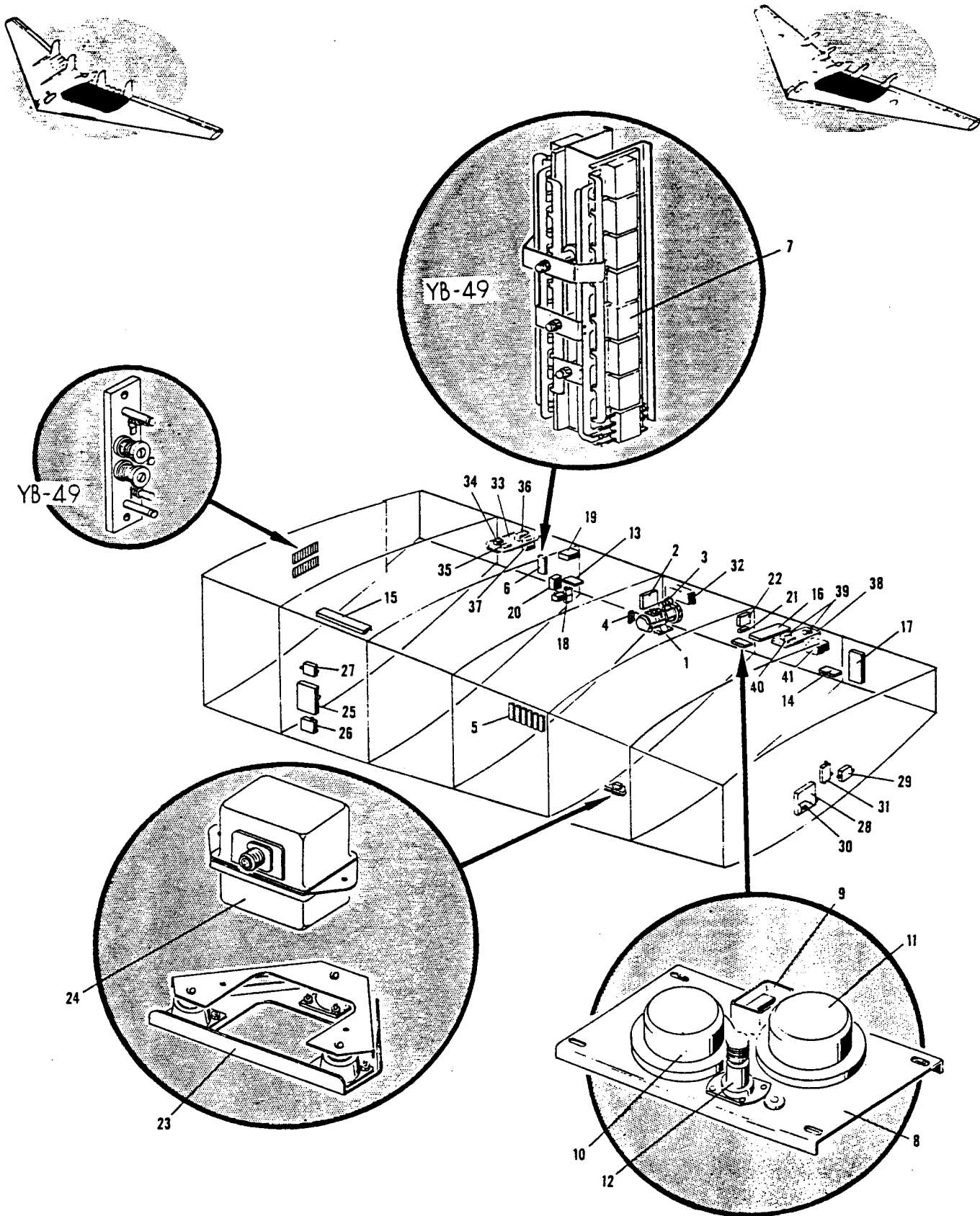


FIGURE 24—CENTER WING CENTER SECTION ELECTRICAL (PART I)

RESTRICTED

CENTER WING GROUP

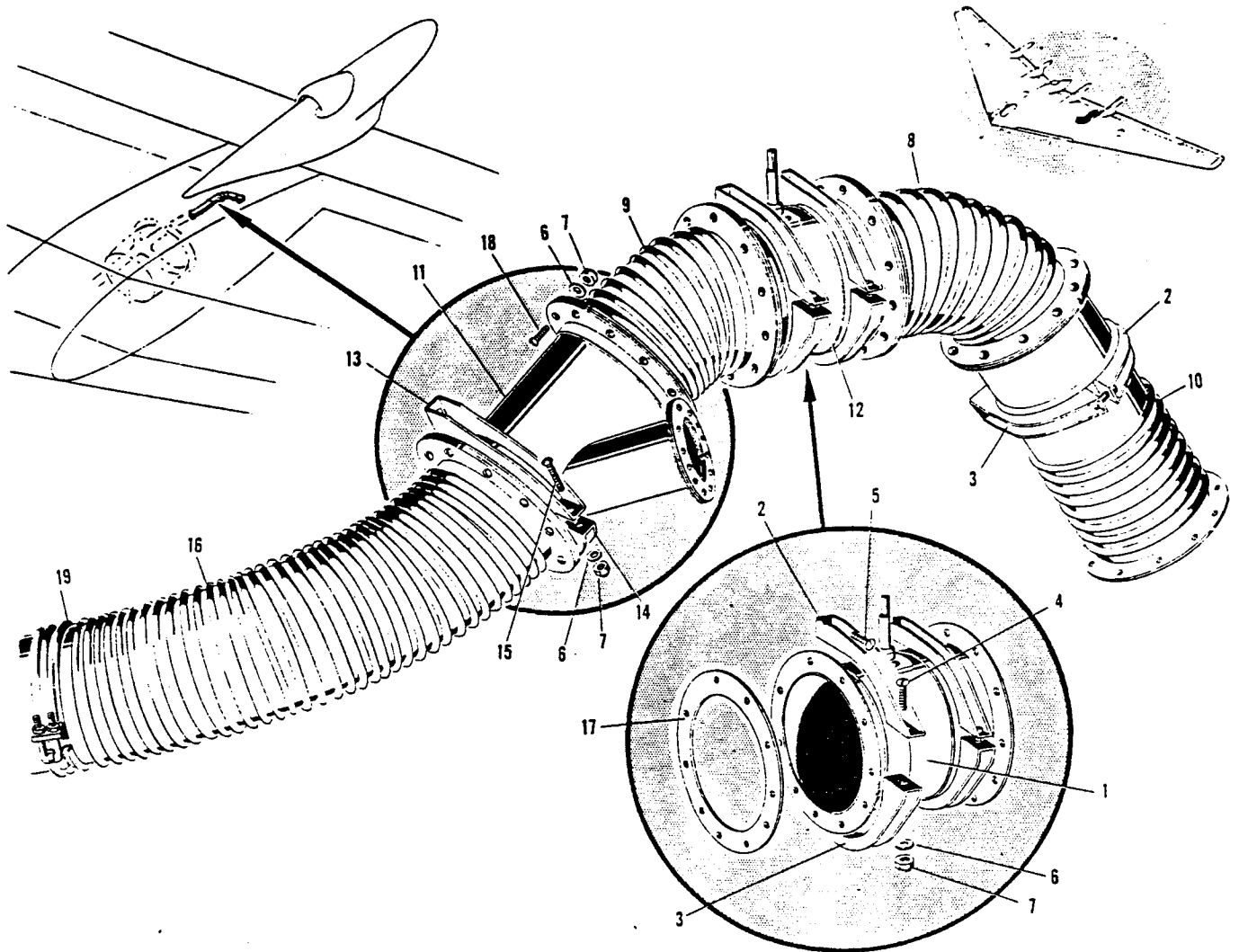


FIGURE 22—HEAT AND VENT ASPIRATOR

FIGURE & INDEX NUMBER	PART NUMBER	NOMENCLATURE							UNITS PER ASSEM	USAGE CODE
		1	2	3	4	5	6	7		
	586987	Aspirator Installation—Heat and vent sta 338 outboard engine LH (For next assembly see page 43)							NP	X
	586988	Aspirator Installation—Heat and vent sta 338 outboard engine RH (For next assembly see page 43)							NP	X
22 - 1	586776	Valve Assembly—Heat and vent outboard engine aspirator							1	X
2	286590	Clamp Assembly—Heat and vent aspirator valve staple welded							3	X
3	286763	Clamp Assembly—Heat and vent aspirator valve grasp welded							3	X
4	AN525-10-12	Screw—Washer head							4	X
5	AN525-10-8	Screw—Washer head							8	X
6	AN960A10	Washer—Plain							24	X
7	AN365-1032	Nut—Self locking							12	X
8	S64290C	Duct—(CME)							1	X
9	S64293C	Duct—(CME)							1	X
10	S64188B	Duct—(CME)							1	X
11	486974	Take Off Assembly—Heat and vent surface controls							4	X
12	586987-1	Gasket—Heat and vent outboard engine aspirator							1	X
13	286982	Clamp Assembly—Heat and vent aspirator valve staple							1	X
14	286983	Clamp Assembly—Heat and vent aspirator valve staple							1	X
15	AN525-10-28	Screw—Washer head							1	X
16	S67129C	Duct—(CME)							5	X
17	186768	Gasket—Heat and vent aspirator duct							60	X
18	AN525-10-6	Screw—Washer head							1	X
19	21047-6-0	Clamp—(RYA)							1	X

CENTER WING GROUP

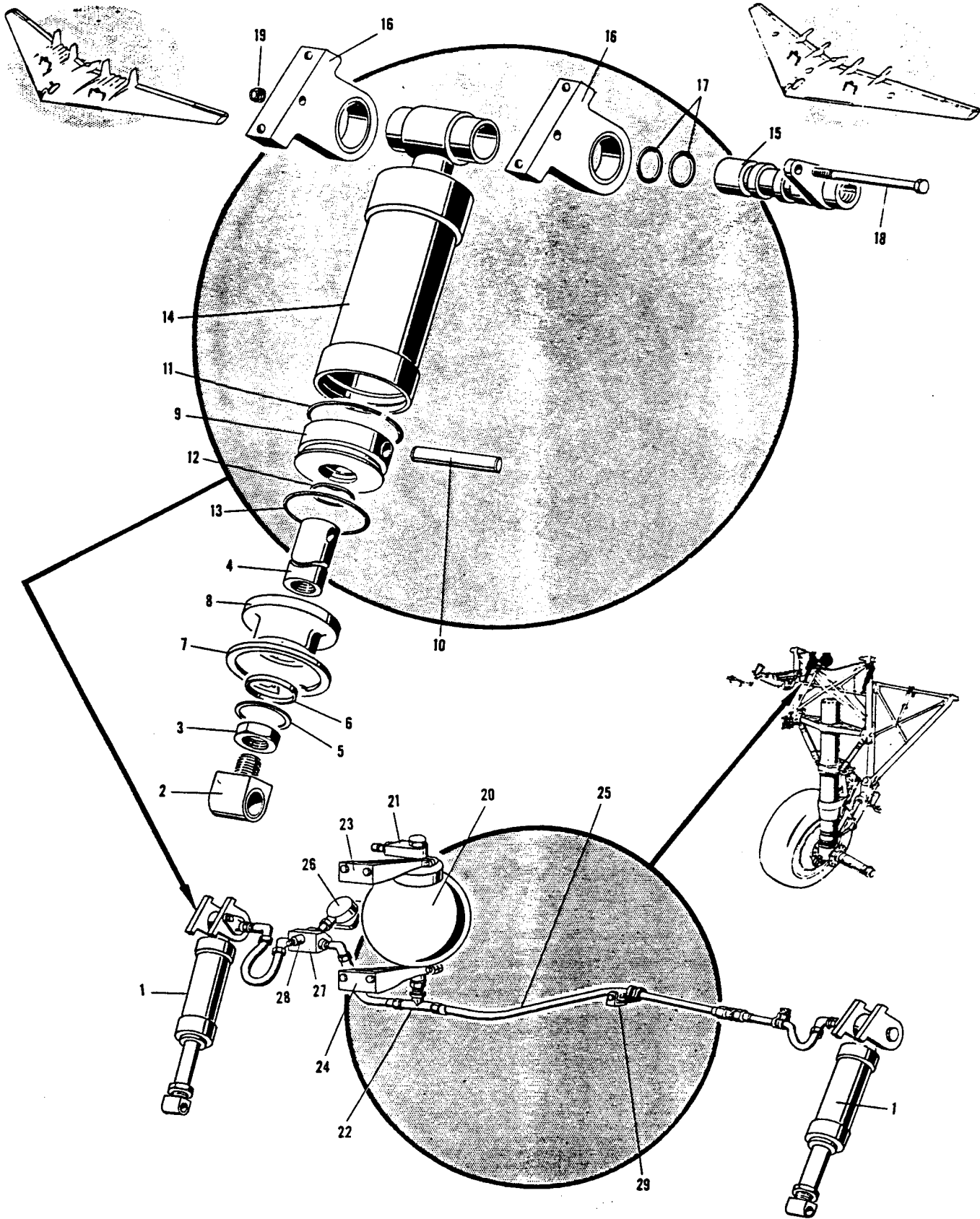


FIGURE 23—MAIN LANDING GEAR BUNGEE

CENTER WING GROUP
CENTER WING CENTER SECTION ELECTRICAL (PART 1)

FIGURE &
INDEX
NUMBER

PART NUMBER

NOMENCLATURE

UNITS
PER
ASSEM

USAGE
CODE

24 - 1

		1	2	3	4	5	6	7			
	584543	Electrical Installation—Center wing center section LH (For next assembly see page 43)							NP	ALL	
	584544	Electrical Installation—Center wing center section RH (For next assembly see page 43)							NP	ALL	
	553825	Panel Installation—Main gear well motor generator and DC power electrical LH							NP	ALL	
	553825-1	Panel Installation—Main gear well motor generator and DC power electrical RH							NP	ALL	
	2C9380	Generator—Motor (Type DK) (WX)							1	ALL	
Attaching Parts											
	AN4-10A	Bolt—Aircraft 1/4-28							4	ALL	
	AN960-416	Washer—Plain							4	ALL	
	554189	Panel Assembly—Main gear well DC power distribution complete							1	ALL	
2	554190	Panel—Main gear well DC power distribution complete							1	ALL	
	7064	Relay—(Type B-5-B) (LR)							1	ALL	
	PA5	Circuit Breaker (SPT)							15	ALL	
	PA15	Circuit Breaker (SPT)							4	ALL	
	PA35	Circuit Breaker (SPT)							3	ALL	
	PLA105	Circuit Breaker (SPT)							2	ALL	
	PLA50	Circuit Breaker (SPT)							1	ALL	
	F1L30	Limiter (BE)							9	ALL	
	F3H1	Base—Limiter (BE)							3	ALL	
3	S1171247	Transformer—Regulator stabilizing type B-1 (WX)							1	ALL	
	454627	Plate—Assembly Motor generator air scoop							2	ALL	
	454171	Scoop Assembly—Motor generator air duct							2	ALL	
	255752	Duct—Motor generator air							1	ALL	
	9565H1	Relay—(CUT)							1	ALL	
4	AN3200-300	Shunt—Ammeter (GFP)							1	ALL	
	7220-24	Relay—(LR)							1	ALL	
	453969	Cable Assembly—Left hand motor generator control wires to crew nacelle							1	ALL	
	453970	Cable Assembly—Right hand motor generator control wires to crew nacelle							1	ALL	
	584627	Panel Installation—Wheel well AC sectionalizing LH							NP	ALL	
	584627-1	Panel Installation—Wheel well AC sectionalizing RH							NP	ALL	
5	553163	Panel Assembly—Wheel well AC sectionalizing LH							1	ALL	
	553163-1	Panel Assembly—Wheel well AC sectionalizing RH							1	ALL	
	F3H1	Base—Limiter (BE)							7	ALL	
	F1L10	Limiter (BE)							9	ALL	
	F1L30	Limiter (BE)							12	ALL	
	584635	Panel Installation—Bomb bay No. 3 AC sectionalizing LH							NP	ALL	
	584635-1	Panel Installation—Bomb bay No. 3 AC sectionalizing RH							NP	ALL	
6	552947	Panel Assembly—Bomb bay No. 3 AC sectionalizing LH							1	X	
	552947-1	Panel Assembly—Bomb bay No. 6 AC sectionalizing RH							1	X	
	552948	Panel Assembly—Bomb bay No. 3 and 6 sectionalizing							1	X	
	557515	Panel Assembly—Bomb bay No. 3 AC sectionalizing LH							1	DE	
	557515-1	Panel Assembly—Bomb bay No. 6 AC sectionalizing RH							1	DE	
7	557497	Panel Assembly—Bomb bay No. 3 AC sectionalizing LH							1	DE	
	557497-1	Panel Assembly—Bomb bay No. 6 AC sectionalizing RH							1	DE	
	F3H1	Base—Limiter (BE)							6	ALL	
	F3H2	Base—Limiter (BE)							10	ALL	
	F1L10	Limiter (BE)							9	ALL	
	F1L20	Limiter (BE)							9	ALL	
	F1L40	Limiter (BE)							3	X	
	F1L50	Limiter (BE)							27	ALL	
	F1L60	Limiter (BE)							3	ALL	
	252949	Bushing—Insulating female							3	ALL	
	252950	Bushing—Insulating male							3	ALL	
	584739	Panel Installation—Bomb bay No. 1 pressure and temperature LH							NP	ALL	
	584739-1	Panel Installation—Bomb bay No. 8 pressure and temperature RH							NP	ALL	
8	554881	Panel Assembly—Pressure and temperature complete							2	ALL	
	454931	Panel Assembly—Pressure and temperature							2	ALL	
	184744	Adapter—Pressure and temperature							2	ALL	
9	CR2992B100A4	Thermostat—Pressure and temperature (GE)							2	ALL	
10	CR2927D100J12	Switch—Pressure (GE)							2	ALL	
11	CR2927D100J13	Switch—Pressure (GE)							2	ALL	
12	CR2992A101A4	Element—Thermal sensitive (GE)							2	ALL	
	455158	Cable Assembly—Pressure and temperature panel							2	ALL	
	584741	Panel Installation—Bomb bay No. 2 pressure and temperature LH							NP	ALL	
	584741-1	Panel Installation—Bomb bay No. 7 pressure and temperature RH							NP	ALL	
13	554881	Panel Assembly—Pressure and temperature complete							2	ALL	
	454931	Panel Assembly—Pressure and temperature							2	ALL	
	184744	Adapter—Pressure and temperature							2	ALL	
	CR2992B100A4	Thermostat—Pressure and temperature (GE)							2	ALL	
	CR2927D100J12	Switch—Pressure (GE)							2	ALL	
	CR2927D100J13	Switch—Pressure (GE)							2	ALL	
	CR2992A101A4	Element—Thermal sensitive (GE)							2	ALL	
	455158	Cable Assembly—Pressure and temperature panel							2	ALL	

Section II
Group Assembly Parts List

RESTRICTED
AN 01-15EAA-4

CENTER WING CENTER SECTION ELECTRICAL (Part I)

FIGURE & INDEX NUMBER	PART NUMBER	1	2	3	4	5	6	7	NOMENCLATURE	UNITS PER ASSEM	USAGE CODE
	584747								Panel Installation—Outboard engine complete temperature and pressure LH.	NP	ALL
	584747-1								Panel Installation—Outboard engine complete temperature and pressure RH.	NP	ALL
24 - 14	554881								Panel Assembly—Pressure and temperature complete.	2	ALL
	454931								Panel Assembly—Pressure and temperature.	2	ALL
	184744								Adapter—Pressure and temperature.	2	ALL
	CR2992B100A4								Thermostat—Pressure and temperature (GE).	2	ALL
	CR2927D100J12								Switch—Pressure (GE).	2	ALL
	CR2927D100J13								Switch—Pressure (GE).	2	ALL
	CR2992A101A4								Element—Thermal sensitive (GE).	2	ALL
	455158								Cable Assembly—Pressure and temperature panel.	2	ALL
15	584601								Panel Installation—Bomb bay No. 3 bomb release junction LH.	NP	ALL
	584602								Panel Installation—Bomb bay No. 6 bomb release junction RH.	NP	ALL
	584601-610								Panel Assembly—Bomb bay No. 3 bomb release junction LH.	1	ALL
	584602-610								Panel Assembly—Bomb bay No. 6 bomb release junction RH.	1	ALL
	584601-620								Panel Assembly—Bomb bay No. 3 bomb release junction LH.	1	ALL
	584602-620								Panel Assembly—Bomb bay No. 6 bomb release junction RH.	1	ALL
	584601-630								Panel Assembly—Bomb bay No. 3 bomb release junction LH.	1	ALL
	584602-630								Panel Assembly—Bomb bay No. 6 bomb release junction RH.	1	ALL
	584601-640								Panel Assembly—Bomb bay No. 3 bomb release junction LH.	1	ALL
	584602-640								Panel Assembly—Bomb bay No. 6 bomb release junction RH.	1	ALL
	456535								Wiring Installation—Bomb bay No. 3 forward relay panel LH.	NP	X
	456536								Wiring Installation—Bomb bay No. 6 forward relay panel RH.	NP	X
	36548								Relay—(Type B-9A) (GN).	4	X
	BSB								Relay—(GN).	1	X
	557357								Panel Installation—Bomb bay No. 4 stringers 2 fuel system relay LH.	NP	DE
	557357-1								Panel Installation—Bomb bay No. 5 stringers 3 fuel system relay RH.	NP	DE
	557357-4								Panel Assembly—Bomb bay No. 4 and 5 stringers 2 fuel system relay.	1	DE
	584605-10								Cover Assembly—Bomb bay No. 4 and 5 stringers 3 fuel system relay.	1	DE
	9565H5								Relay—Type 547 (CUT).	3	DE
	9565H6								Relay—Type 648 (CUT).	2	DE
16	558201								Panel Assembly—Bomb bay No. 1 aft power LH.	1	ALL
	558201-1								Panel Assembly—Bomb bay No. 8 aft power RH.	1	ALL
	9565H5								Relay—Type 647 (CUT).	3	ALL
	9565H6								Relay—Type 648 (CUT).	1	ALL
	9565H35								Relay—(CUT).	1	ALL
	9565H40								Relay—(CUT).	2	ALL
	7220B24								Relay—(LR).	1	ALL
	NS47E								Relay—(ELP).	1	ALL
	NS47EK								Relay—(ELP).	1	ALL
	ND47E								Relay—(ELP).	1	ALL
	559862								Wiring Installation—Bomb bay No. 1 aft power panel LH.	NP	ALL
	559863								Wiring Installation—Bomb bay No. 8 aft power panel RH.	NP	ALL
	552956								Panel Installation—Outboard engine alternator equipment and AC sectionalizing LH.	NP	ALL
	552956-1								Panel Installation—Outboard engine alternator equipment and AC sectionalizing RH.	NP	ALL
17	552955								Panel Assembly—Outboard engine AC sectionalizing complete LH.	1	ALL
	552955-1								Panel Assembly—Outboard engine AC sectionalizing complete RH.	1	ALL
	F3H1								Base—Limiter (BE).	10	ALL
	F3H2								Base—Limiter (BE).	9	ALL
	F1L10								Limiter—(BE).	15	ALL
	F1L20								Limiter—(BE).	3	ALL
	F1L30								Limiter—(BE).	12	ALL
	F1L40								Limiter—(BE).	3	ALL
	F1L50								Limiter—(BE).	24	ALL
	LY11024B5G1								Relay—Differential protective (GFP).	1	ALL
	459287								Support Assembly—Differential current relay leads.	2	ALL
	459286								Support Assembly—Transformer lead.	3	ALL
	559161								Electrical Installation—Inboard alternator control LH.	NP	ALL
	559161-1								Electrical Installation—Inboard alternator control RH.	NP	ALL
18	No Number								Transformer—Current (Spec. 32498) (GFP).	3	ALL
19	LY11024B5G1								Relay—Differential protective (GFP).	1	ALL
20	TSEPE6E42								Relay—Exciter control (GFP).	1	ALL
	B310								Terminal—Bee (BRH).	1	ALL
	559137								Control Installation—Wheel well alternator LH.	NP	ALL
	559137-1								Control Installation—Wheel well alternator RH.	NP	ALL
21	TSEPE6E38								Relay—Exciter protector (GFP).	1	ALL
22	T9160244G1								Unit—Governor control (GFP).	1	ALL
	559117								Cover Assembly—Wheel well alternator control LH.	1	ALL
	559117-1								Cover Assembly—Wheel well alternator control RH.	1	ALL
	559057								Resistor Installation—Thermocouple LH.	NP	DE
	559057-1								Resistor Installation—Thermocouple RH.	NP	DE
	AN5534-1								Resistor—Thermocouple lead spool.	20	DE
	584557								Pressuretrol Installation—Front spar at wing sta 338 LH.	NP	ALL
	584558								Pressuretrol Installation—Front spar at wing sta 338 RH.	NP	ALL
	556557								Support Assembly—Outboard pressuretrol LH.	1	X
	556557-1								Support Assembly—Outboard pressuretrol RH.	1	X
23	QG194A1								Rack—Pressuretrol mounting (GFP).	1	X
24	PG7000A3								Pressuretrol—(GFP).	1	X
	584569								Electrical Installation—Induction vibrator and inboard engine disconnect box LH.	NP	ALL
	584569-1								Electrical Installation—Induction vibrator and inboard engine disconnect box RH.	NP	ALL
25	556221								Box Assembly—Inboard engine disconnect LH.	1	ALL

CENTER WING CENTER SECTION ELECTRICAL (Part I)

FIGURE & INDEX NUMBER	PART NUMBER	NOMENCLATURE							UNITS PER ASSEM	USAGE CODE
		1	2	3	4	5	6	7		
	556221-1								1	ALL
	8T500-2								1	ALL
	AN3102-22-9S								1	ALL
	AN3102-22-14S								1	ALL
	AN3102-24-7P								1	ALL
	AN3102-14S1P								1	ALL
	AN3102-14S1S								1	ALL
	AN3063-6								1	ALL
	AN3064-6								1	ALL
24 -	A896RSN								1	ALL
26	10-33200-1								NP	ALL
	584571								1	ALL
	584572								1	ALL
28	584571-4								1	ALL
	584572-4								1	ALL
29	10-33200-1								1	ALL
	AN3102-14S1S								1	ALL
	AN3102-22-14S								1	ALL
	AN3102-22-9S								1	ALL
	AN3064-16								1	ALL
30	8T500-2								1	ALL
	AN3102-14S1P								1	ALL
31	A896RSN								1	ALL
	AN3102-14S1P								1	ALL
32	117-54								NP	X
	561192								NP	X
	561192-1								1	X
33	561246								1	X
	561246-1								4	X
34	AN3380-1								2	X
35	NS43A								2	X
36	CH 9565H1								2	X
37	70G271								NP	X
	561197								NP	X
	561197-1								1	X
38	561255								1	X
	561255-1								4	X
39	AN3380-1								2	X
40	NS43A								1	X
	561241								1	X
	561241-1								2	X
41	70G271									

CENTER WING GROUP
CENTER WING CENTER SECTION ELECTRICAL (Part II)

FIGURE & INDEX NUMBER	PART NUMBER	NOMENCLATURE							UNITS PER ASSEM	USAGE CODE
		1	2	3	4	5	6	7		
	584543								NP	ALL
	584544								NP	ALL
	584599								NP	ALL
	584600								NP	ALL
25 -	484607								1	ALL
1	484608								1	ALL
	1257DE-BF								4	ALL
2	36584								1	ALL
3	1057SW-EA								1	ALL
4	NS43A								2	ALL
5	ND47E								NP	ALL
6	556387								1	ALL
	560255								4	ALL
7	MC2711								2	ALL
8	YZR31								1	ALL
9	BZ3YT								1	ALL
10	AN3210-1								2	ALL
	SK82-632								NP	ALL
	584664								1	ALL
	584674								1	ALL
11	584674-30								1	ALL
12	SK1087								2	ALL
13	YZ-R31								3	ALL
14	MC2711								NP	ALL
	584597								NP	ALL
	584598								1	ALL
15	9565H5								4	ALL
16	36584								NP	ALL
	584671								NP	ALL
	584672								1	ALL
17	18469								2	ALL
18	MC2711								2	ALL
19	WZ-R31								NP	ALL
	584659								NP	ALL
	584660								1	ALL
20	584673								1	ALL
	584674								1	ALL
	584673-30								1	ALL
	584674								1	ALL
	SK1087								1	ALL

CENTER WING GROUP

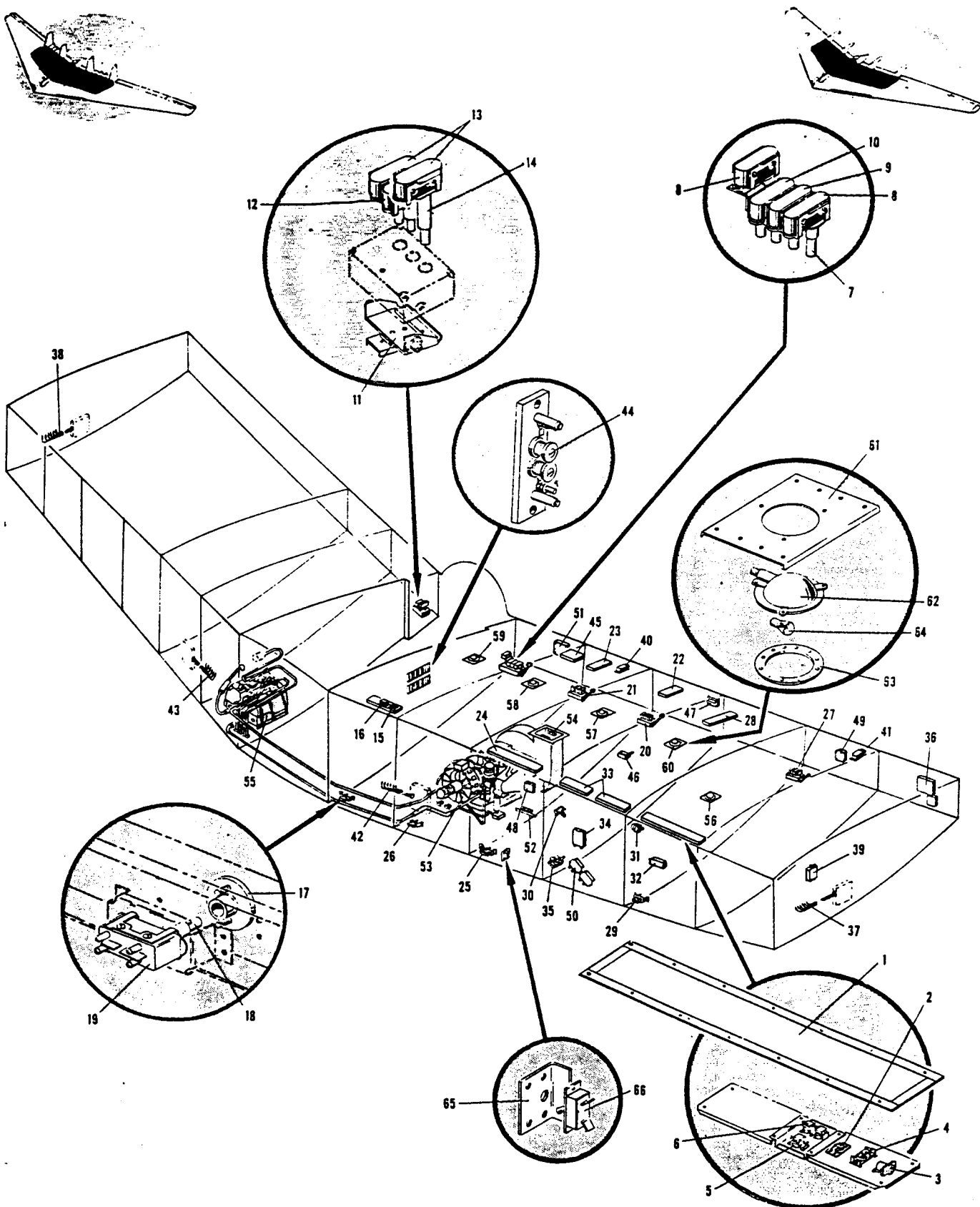


FIGURE 25—CENTER WING CENTER SECTION ELECTRICAL (PART II)

CENTER WING CENTER SECTION ELECTRICAL (Part II)
CENTER WING GROUP

FIGURE & INDEX NUMBER	PART NUMBER	1	2	3	4	5	6	7	NOMENCLATURE	UNITS PER ASSEM	USAGE CODE
	MC2711								Actuator—Micro switch (MCS)	3	ALL
	YZ-R31								Switch—Micro (MCS)	2	ALL
25 - 21	584661								Switch Installation—Bomb bay No. 3 door open limit	NP	ALL
	584662								Switch Installation—Bomb bay No. 6 door open limit	NP	ALL
	584673								Switch Assembly—Bomb bay door limit, LH	1	ALL
	584674								Switch Assembly—Bomb bay door limit, RH	1	ALL
22	584631								Relays Installation—Bomb bay No. 2 power	NP	ALL
	584632								Relays Installation—Bomb bay No. 7 power	NP	ALL
	NS47E								Relay—(ELP)	1	ALL
	NS47EK								Relay—(ELP)	1	ALL
	ND47E								Relay—(ELP)	1	ALL
	9565H35								Relay—(CUT)	1	ALL
	9565H5								Relay—(CUT)	3	ALL
	9565H6								Relay—(CUT)	1	ALL
23	584633								Relays Installation—Bomb bay No. 3 power	NP	ALL
	584634								Relays Installation—Bomb bay No. 6 power	NP	ALL
	7220B24								Relay—(LR)	1	ALL
	NS47EK								Relay—(ELP)	1	ALL
	NS47E								Relay—(ELP)	1	ALL
	ND47E								Relay—(ELP)	1	ALL
	956H35								Relay—(CUT)	1	ALL
	9565H3								Relay—(CUT)	3	ALL
	9565H6								Relay—(CUT)	2	ALL
	9565H2								Relay—(CUT)	1	ALL
24	584603								Relay Installation—Bomb bay No. 2 bomb release system	NP	ALL
	584604								Relay Installation—Bomb bay No. 7 bomb release system	NP	ALL
	9565H5								Relay—(CUT)	3	ALL
	9565H6								Relay—(CUT)	3	ALL
	NS47E								Relay—(ELP)	2	ALL
	ND47E								Relay—(ELP)	2	ALL
	7064								Relay—Type B-5-B (LR)	2	ALL
	36548								Relay—Type B-9-A (GN)	2	ALL
25	584667								Switch Installation—Bomb bay No. 2 door close limit	NP	ALL
	584668								Switch Installation—Bomb bay No. 7 door close limit	NP	ALL
	MC2711								Actuator—Micro switch (MCS)	2	ALL
25 - 26	WZ-R31								Switch—Micro (MCS)	2	ALL
	584669								Switch Installation—Bomb bay No. 3 door close limit	NP	ALL
	584670								Switch Installation—Bomb bay No. 6 door close limit	NP	ALL
	MC2711								Actuator—Micro switch (MCS)	2	ALL
	WZ-R31								Switch—Micro (MCS)	2	ALL
27	584657								Switch Installation—Bomb bay No. 1 door open limit	NP	X
	584658								Switch Installation—Bomb bay No. 8 door open limit	NP	X
	584673								Switch Assembly—Bomb bay door open limit LH	1	X
	584674								Switch Assembly—Bomb bay door open limit RH	1	X
	BZ3YT								Switch—Micro (MCS)	2	X
	MC2711								Actuator—Micro switch (MCS)	3	X
	YZ-R31								Switch—Micro (MCS)	2	X
28	584643								Relays Installation—Wheel well power LH	NP	X
	584644								Relays Installation—Wheel well power RH	NP	X
	9565H12								Relay—(CUT)	2	X
	9565H8								Relay—(CUT)	1	X
	9565H6								Relay—(CUT)	1	X
29	584665								Switch Installation—Bomb bay No. 1 door close limit	NP	ALL
	584666								Switch Installation—Bomb bay No. 8 door close limit	NP	ALL
	MC2711								Actuator—Micro switch (MCS)	1	ALL
	WZ-R31								Switch—Micro (MCS)	1	ALL
30	584707								Switch Installation—Main landing gear door close limit LH	NP	ALL
	584708								Switch Installation—Main landing gear door close limit RH	NP	ALL
	MC2711								Actuator—Micro switch (MCS)	2	ALL
	BZ3YT								Switch—Micro (MCS)	1	ALL
	AN3210-1								Switch—Low travel limit	1	ALL
31	584713								Switch Installation—Anti-icing differential pressure LH	NP	ALL
	584714								Switch Installation—Anti-icing differential pressure RH	NP	ALL
	584713-10								Bracket Assembly—Anti-icing differential pressure LH	1	ALL
	584714-10								Bracket Assembly—Anti-icing differential pressure RH	1	ALL
	CR2927D100J4								Switch—Low pressure (GE)	1	ALL
32	584585								Relay Installation—Outer wing anti-icer polarized LH	NP	ALL
	584586								Relay Installation—Outer wing anti-icer polarized RH	NP	ALL
	CR2780C104A2								Relay—(GE)	1	ALL
33	584605								Relay Installation—Wheel well stringers No. 1 power	NP	ALL
	584606								Relay Installation—Wheel well stringers No. 2 power	NP	ALL
	9565H6								Relay—(CUT)	4	ALL
	NS47E								Relay—(ELP)	1	ALL
	1257DE-BF								Relay—(LR)	1	ALL
	CR2791B100F3								Relay—(GE)	2	ALL
	ND47E								Relay—(ELP)	2	ALL
	9565H5								Relay—(CUT)	2	ALL
	584595								Relay Installation—Center wing front spar sta 248.5 anti-icer polarized LH	NP	X
	584596								Relay Installation—Center wing front spar sta 248.5 anti-icer polarized RH	NP	X
34	CR2780C104A2								Relay—(GE)	1	X
35	584675								Switch Installation—Main landing gear door open limit LH	NP	ALL
	584676								Switch Installation—Main landing gear door open limit RH	NP	ALL
	MC2711								Actuator—Micro switch (MCS)	2	ALL
	BZ3YT								Switch—Micro (MCS)	2	ALL
36	584573								Relay Installation—Outboard engine compartment electrical power and polarized LH	NP	ALL
	584574								Relay Installation—Outboard engine compartment electrical power and polarized RH	NP	ALL
	9565H5								Relay—(CUT)	1	DE
	9565H6								Relay—(CUT)	1	ALL
	CR2780A104A2								Relay—(GE)	1	ALL

CENTRE WING GROUP
CENTER WING CENTER SECTION ELECTRICAL (Part II)

FIGURE & INDEX NUMBER	PART NUMBER	1	2	3	4	5	6	7	NOMENCLATURE	UNITS PER ASSEM	USAGE CODE
	9565H2								Relay—(CUT)	1	X
	453653								Cable Assembly—No. 1 engine disconnect box to crew nacelle	1	X
25 - 37	L508-61								Lead—Thermocouple (LEN)	1	X
	453658								Cable Assembly—No. 4 engine disconnect box to crew nacelle	1	X
38	L508-61								Lead—Thermocouple (LEN)	1	X
	453764								Box Installation—Anti-icer waste gate motor cable pull LH	NP	X
	453764-1								Box Installation—Anti-icer waste gate motor cable pull RH	NP	X
	553419								Cable Assembly—Bomb bay No. 1 direct current panel to outboard wing anti-icer waste gate motor	1	X
	553419-1								Cable Assembly—Bomb bay No. 8 direct current panel to outboard wing anti-icer waste gate motor	1	X
39	453599								Box Assembly—Wing anti-icer cable assembly junction	1	X
	554804								Box Installation—Inboard engine automatic propeller relay, LH	NP	X
	554804-1								Box Installation—Inboard engine automatic propeller relay, RH	NP	X
	554804-2								Relay Assembly—Engine automatic propeller relay	1	X
40	65720								Box Assembly—Propeller relay (GFP)	1	X
	554805								Box Installation—Outboard engine automatic propeller relay, LH	NP	X
	554805-1								Box Installation—Outboard engine automatic propeller relay, RH	NP	X
	554804-2								Relay Assembly—Engine automatic propeller relay	1	X
41	65720								Box Assembly—Propeller relay (GFP)	1	X
	453656								Cable Assembly—No. 2 engine disconnect box to crew nacelle	1	ALL
42	L508-17								Lead—Thermocouple (LEN)	1	ALL
	453657								Cable Assembly—No. 3 engine disconnect box to crew nacelle	1	ALL
43	L508-17								Lead—Thermocouple (LEN)	1	ALL
	559057								Resistor Installation—Thermocouple LH	NP	DE
	559057-1								Resistor Installation—Thermocouple RH	NP	DE
44	AN5534-1								Resistor—Thermocouple	20	DE
45	560167								Receptacle Installation—A.C. and D.C. external power	NP	ALL
	A6-437M3								Receptacle (MNS)	1	ALL
	AN2552-1								Receptacle—External power connect	1	ALL
46	458842								Switch Installation—Brake and wing slot, LH	NP	ALL
	458842-1								Switch Installation—Brake and wing slot, RH	NP	ALL
	MC2711B								Actuator—Micro switch (MCS)	1	ALL
	B23YT								Switch—Micro (MCS)	1	ALL
	558823								Box Installation—Inboard propeller oil cooler junction LH	NP	ALL
	558823-1								Box Installation—Inboard propeller oil cooler junction RH	NP	ALL
47	558823-8								Box Assembly—Inboard propeller oil cooler junction, LH	1	ALL
	558823-9								Box Assembly—Inboard propeller oil cooler junction, RH	1	ALL
	9565H24								Relay—(CUT)	1	ALL
	558937								Box Installation—Inboard turbo regulator junction LH	NP	ALL
	558937-1								Box Installation—Inboard turbo regulator junction RH	NP	ALL
48	WG111A								Box—Junction (GFP)	1	ALL
	558822								Box Installation—Outboard propeller oil cooler junction LH	NP	ALL
	558822-1								Box Installation—Outboard propeller oil cooler junction RH	NP	ALL
49	558822-8								Box Assembly—Outboard propeller oil cooler junction LH	1	ALL
	558822-9								Box Assembly—Outboard propeller oil cooler junction RH	1	ALL
	9565H24								Relay—(CUT)	1	ALL
	559060								Relay Installation—Intercooler temperature control LH	NP	ALL
	559060-1								Relay Installation—Intercooler temperature control RH	NP	ALL
50	46C199-6								Box—Control (VCH)	2	ALL
	557738								Box Installation—Bomb bay No. 4 A.C. power relay	NP	ALL
	557738-1								Box Installation—Bomb bay No. 5 A.C. power relay	NP	ALL
51	557830-500								Box Assembly—Bomb bay No. 4 A.C. power relay	1	ALL
	557830-501								Box Assembly—Bomb bay No. 5 A.C. power relay	1	ALL
	NS47E								Relay—(ELP)	1	ALL
	NS47EK								Relay—(ELP)	1	ALL
	ND47E								Relay—(ELP)	1	ALL
	9565H35								Relay—(CUT)	1	ALL
	9565H6								Relay—(CUT)	3	ALL
	9565H5								Relay—(CUT)	2	ALL
	556804								Electrical Installation—Auxiliary A.C. power unit	NP	ALL
52	17021-1								Thermoswitch—(FEN)	1	ALL
53	No Number								Power Unit—Auxiliary-type E5 (GFP)	1	ALL
	556644								Duct Assembly—Auxiliary A.C. power unit inner exhaust	1	ALL
54	17021-1								Thermoswitch—(FEN)	2	ALL
55	557737								System Installation—Auxiliary power unit fuel (For detail breakdown see page 57)	NP	ALL
56	558895								Lamp Installation—Bomb bay No. 1 LH	NP	ALL
	558895-1								Lamp Installation—Bomb bay No. 8 RH	NP	ALL
57	558896								Lamp Installation—Bomb bay No. 2 LH	NP	ALL
	558896-1								Lamp Installation—Bomb bay No. 7 RH	NP	ALL
58	558897								Lamp Installation—Bomb bay No. 3 LH	NP	ALL
	558897-1								Lamp Installation—Bomb bay No. 6 RH	NP	ALL
59	558898-1								Lamp Installation—Bomb bay No. 4 LH	NP	ALL
	558898-1								Lamp Installation—Bomb bay No. 5 RH	NP	ALL
60	558899								Lamp Installation—Wheel well, LH	NP	ALL
	558899-1								Lamp Installation—Wheel well, RH	NP	ALL
61	558900								Bracket—Bomb bay lamp	5	ALL
62	AN3039-3								Light Assembly—Vapor proof cabin dome	5	ALL
63	NAF215395-1								Cover—Cabin dome light	5	ALL
64	AN3133-311								Lamp—S11 bulb single contact candelabra bayonet base	5	ALL
65	558896-2								Bracket—Bomb bay switch	5	ALL
66	AN3022-2								Switch—3-hole mounting single pole toggle	5	ALL
	460691								Switch Installation—Rudder closing	NP	ALL
	B2-R31								Switch—Micro (MCS)	1	ALL
	MC2711B								Actuator—Micro switch (MCS)	1	ALL

CENTER WING GROUP

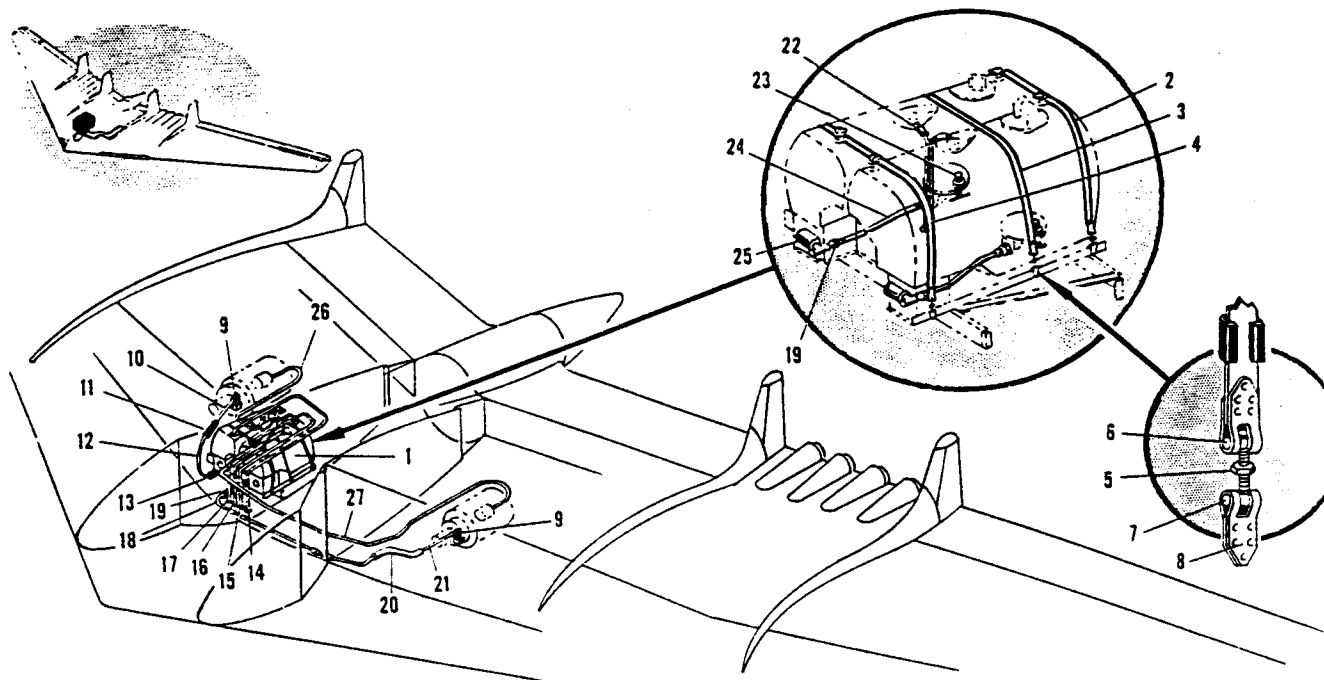


FIGURE 26—AUXILIARY POWER UNIT FUEL SYSTEM

AUXILIARY POWER UNIT FUEL SYSTEM

FIGURE & INDEX NUMBER	PART NUMBER	1	2	3	4	5	6	7	NOMENCLATURE	UNITS PER ASSEM	USAGE CODE
26 - 1	557737	System Installation—Auxiliary power unit fuel (For next assembly see page 53)								NP	DE
	519609	Tank—Auxiliary power unit fuel LH								1	DE
	519609-1	Tank—Auxiliary power unit fuel RH								1	DE
		Attaching Parts									
2	557737-28	Strap—Auxiliary power unit fuel tank								1	DE
3	557737-30	Strap—Auxiliary power unit fuel tank								1	DE
4	557737-32	Strap—Auxiliary power unit fuel tank								1	DE
5	NAS27-4	Turnbuckle								6	DE
6	25T103	Trunnion								6	DE
7	25T104	Trunnion								6	DE
8	NAS24-4	Terminal								6	DE
9	216208	Elbow—Auxiliary power unit fuel line								2	DE
	AN818-6D	Nut—Coupling								2	DE
	AN819-6Z	Sleeve—Coupling								2	DE
10	557737-36	Tube—Auxiliary power unit fuel line								1	DE
11	AN884-6-22	Hose—Aromatic resistant								1	DE
12	557737-44	Tube—Auxiliary power unit fuel line								11	DE
13	AN884-6-14	Hose—Aromatic resistant								20	DE
	AN748-26	Clamp—Hose								1	DE
	AN842-6	Elbow—Pipe thread hose 90°								1	DE
14	557737-46	Tube—Auxiliary power unit fuel line								1	DE
15	557737-48	Tube—Auxiliary power unit fuel line								1	DE
16	557737-50	Tube—Auxiliary power unit fuel line								1	DE
17	557737-52	Tube—Auxiliary power unit fuel line								1	DE
18	557737-54	Tube—Auxiliary power unit fuel line								4	DE
19	557737-56	Adapter—Auxiliary power unit fuel line								4	DE
	AN901-4	Gasket—Metal tube connection seal								2	DE
	AN849-6D	Connector—Hose bulkhead								2	DE
	AN924-6D	Nut—Flared tube universal								2	DE
	AN742D8C	Clamp—Hose								12	DE
20	AN884-6-16	Hose—Aromatic resistant								1	DE
21	557737-42	Tube—Auxiliary power unit fuel line								2	DE
22	557737-20	Line—Drain								2	DE
23	7600-4	Cock—Drain (WTR)								2	DE
	AN912-13	Reducer—Bushing								6	DE
	AN912-9	Reducer—Bushing								2	DE
	AN840-6	Adapter—Hose to pipe thread								2	DE
24	AN884-6-66	Hose—Aromatic resistant								2	DE
25	12257-27	Valve—Solenoid (AP)								4	DE
	AN842-6	Elbow—Pipe thread								1	DE
26	557737-60	Tube—Auxiliary power unit fuel line								1	DE
27	557737-62	Tube—Auxiliary power unit fuel line								3	DE
	AN816-4	Nipple—Flared tube								4	DE
	AN819-4	Sleeve—Coupling								4	DE
	AN818-4	Nut—Coupling								4	DE
	AN823-4	Elbow—Flared tube								4	DE

CENTER WING GROUP

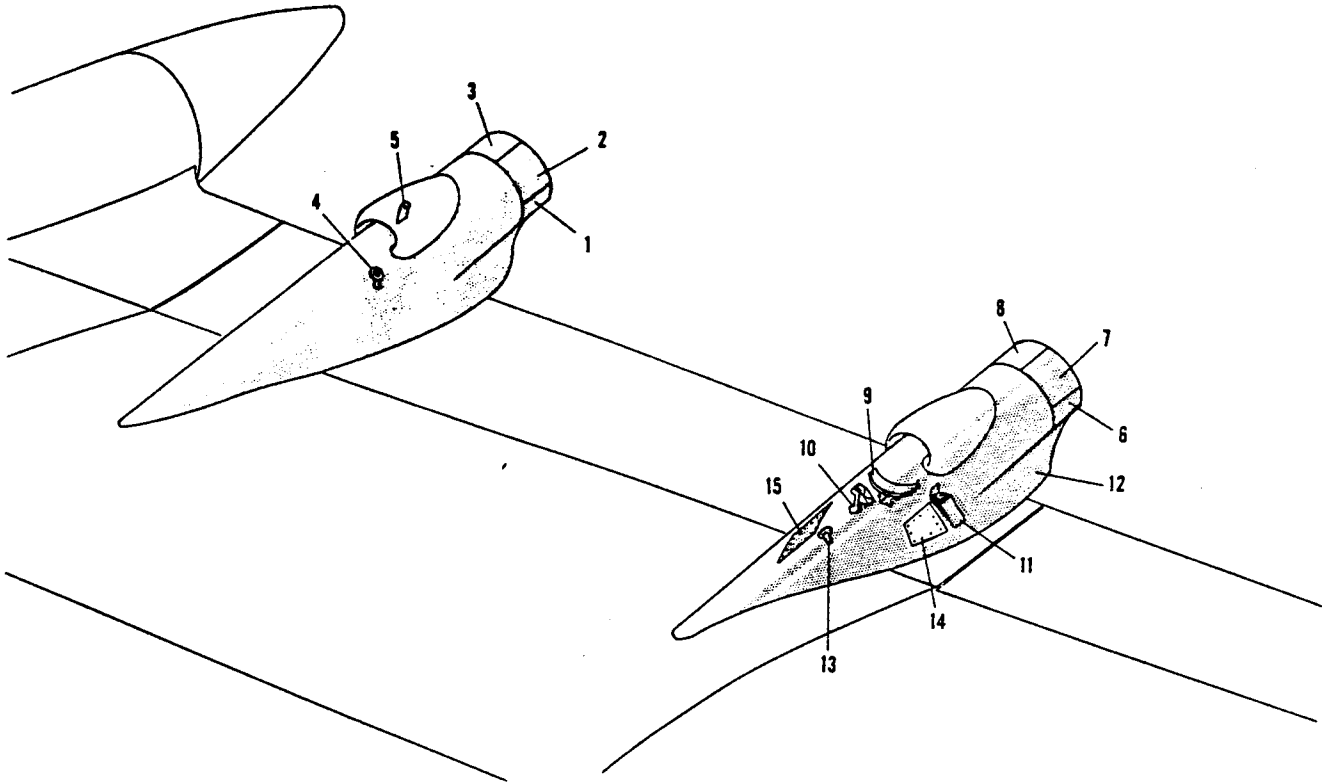
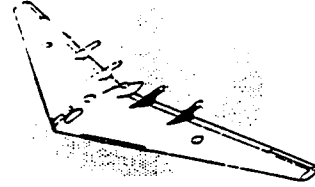


FIGURE 27—CENTER WING HOUSING ASSEMBLIES

CENTER WING HOUSING ASSEMBLIES

FIGURE & INDEX NUMBER	PART NUMBER	1	2	3	4	5	6	7	NOMENCLATURE	UNITS PER ASSEM	USAGE CODE	
		Center Wing Housing Assemblies										
	594185								Housing Assembly—Inboard propeller shaft LH (For next assembly see page 32)	1	X	
	594186								Housing Assembly—Inboard propeller shaft RH (For next assembly see page 32)	1	X	
27 - 1	594268								Panel Assembly—Lower cowling inboard propeller shaft housing center wing	1	X	
2	594243								Panel Assembly—Center cowling inboard and outboard propeller shaft housing center wing	2	X	
3	577160								Panel Assembly—Inboard propeller shaft housing upper cowling	1	X	
4	254809								Fitting—Reservoir vent	1	X	
5	558766								Door Assembly—Inboard alternate drive oil level gage	1	X	
	561082								Door Installation—Inboard gear box oil tank filler access	NP	X	
	594183								Housing Assembly—Outboard propeller shaft LH (For next assembly see page 32)	1	X	
	594184								Housing Assembly—Outboard propeller shaft RH (For next assembly see page 32)	1	X	
6	560841								Panel Assembly—Lower cowling inboard and outboard propeller shaft housing	1	X	
7	561003								Panel Assembly—Cowling inboard and outboard propeller shaft housing LH	1	X	
	561002								Panel Assembly—Cowling inboard and outboard propeller shaft housing RH	1	X	
8	560438-2								Panel Assembly—Upper cowling inboard and outboard propeller shaft housing	1	X	
	560438-4								Panel Assembly—Upper cowling inboard and outboard propeller shaft housing	1	X	
9	555286								Bracket Assembly—Outboard housing upper swivel fitting	1	X	
10	455319								Bracket Assembly—Outboard housing lower inboard swivel fitting LH	1	X	
	455319-1								Bracket Assembly—Outboard housing lower inboard swivel fitting RH	1	X	
11	455427								Bracket Assembly—Outboard housing lower outboard swivel fitting LH	1	X	
	455427-1								Bracket Assembly—Outboard housing lower outboard swivel fitting RH	1	X	
12	594559								Fairing Installation—Outboard propeller shaft housing LH	1	X	
	594560								Fairing Installation—Outboard propeller shaft housing RH	1	X	
13	254809								Fitting—Reservoir vent	1	X	
14	594183-603								Door—Outboard propeller shaft LH	1	X	
	594184-603								Door—Outboard propeller shaft RH	1	X	
15	594183-605								Door—Outboard propeller shaft LH	1	X	
	594184-605								Door—Outboard propeller shaft RH	1	X	
	561083								Door Installation—Outboard gear box oil tank filler access	NP	X	
	561083-2								Door Assembly—Outboard gear box oil tank filler access	1	X	

CENTER WING GROUP

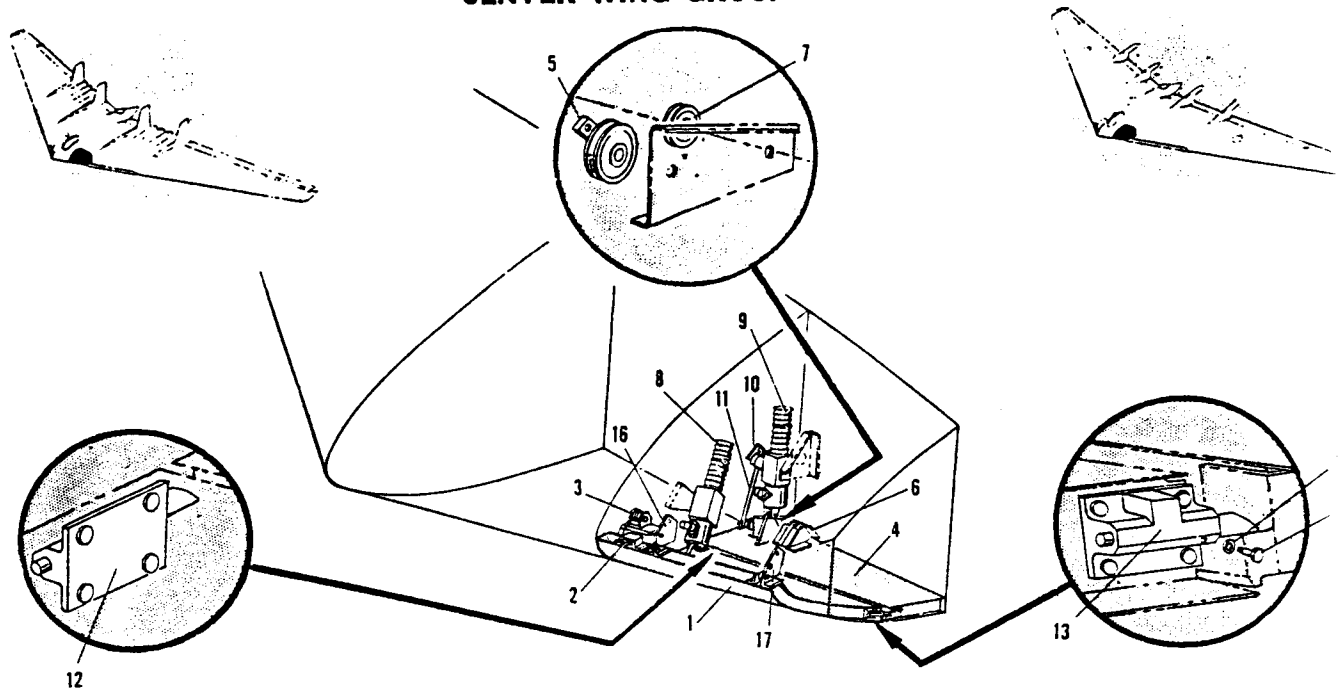


FIGURE 28—NOSE WHEEL DOORS

NOSE WHEEL DOORS

FIGURE & INDEX NUMBER	PART NUMBER	NOMENCLATURE	UNITS PER ASSEM	USAGE CODE
		1 2 3 4 5 6 7		
	594340	Doors Installation—Nose wheel (For next assembly see page 32)	NP	ALL
28 - 1	594341	Door Assembly—Forward center wing nose wheel	1	X
	No Number	Door Assembly—Forward center wing nose wheel (See Northrop YB-49 EO on drawing 5934341)	1	DE
	555862	Brackets Installation—Nose landing gear forward door actuating pulley	NP	ALL
2	555862-8	Bracket Assembly—Nose landing gear forward door actuating pulley	1	ALL
3	555862-20	Bracket Assembly—Nose landing gear forward door actuating pulley	1	ALL
4	594342	Door Assembly—Nose wheel aft	1	ALL
5	294318	Pulley Assembly—Center wing aft nose wheel door	1	ALL
6	459442	Bracket Assembly—Nose wheel aft door emergency open	1	ALL
7	AN 210-1A	Pulley—Control	1	ALL
	559294	Bungee Installation—Nose landing gear door emergency (For detail breakdown see page 61)	NP	ALL
8	A7611F	Actuator—Nose wheel door forward (DE)	1	ALL
9	A7611R	Actuator—Nose wheel door rear (DE)	1	ALL
10	195336	Bell Crank—Emergency release mechanism aft nose wheel door	1	ALL
11	256295	Rod Assembly—Emergency release mechanism aft nose wheel door	1	ALL
	460571	Universal Assembly—Nose gear forward door actuator mounting	1	ALL
	460572	Universal Assembly—Nose gear aft door actuator mounting	1	ALL
	Attaching Parts			
	AN26-31	Bolt—Clevis 3/8-24	2	ALL
	AN23-10	Bolt—Clevis 10-32	1	ALL
	AN22-14	Bolt—Clevis 8-36	1	ALL
	AN320-6	Nut—Aircraft shear	3	ALL
	AN320-2	Nut—Aircraft shear	1	ALL
	AN320-3	Nut—Aircraft shear	1	ALL
	AN960A616	Washer—Plain	2	ALL
	AN960A616L	Washer—Plain	6	ALL
	AN960C10	Washer—Plain	1	ALL
	AN960D8	Washer—Plain	2	ALL
12	295269-10	Lock Assembly—Nose and main landing gear doors	1	ALL
13	295269-20	Lock Assembly—Nose and main landing gear doors	1	ALL
14	195275	Screw—Landing gear doors lock	4	ALL
15	195273	Washer—Landing gear doors lock	4	ALL
	AN5-5	Bolt—Aircraft (5/16-24)	3	ALL
	AN75-6	Bolt—Drilled head 5/16	1	ALL
	AN365-524	Nut—Self locking	4	ALL
	AN960A516	Washer—Plain	8	ALL
	AN960A516L	Washer—Plain	8	ALL
16	295216	Hinge Assembly—Forward inboard nose wheel door	1	ALL
17	295312	Hinge Assembly—Forward outboard nose wheel door	1	ALL
	Attaching Parts			
	AN26-15	Bolt—Clevis 3/8-24	3	ALL
	AN320-4	Nut—Aircraft shear	3	ALL
	AN960A416	Washer—Plain	3	ALL
	AN960A416L	Washer—Plain	3	ALL

CENTER WING GROUP

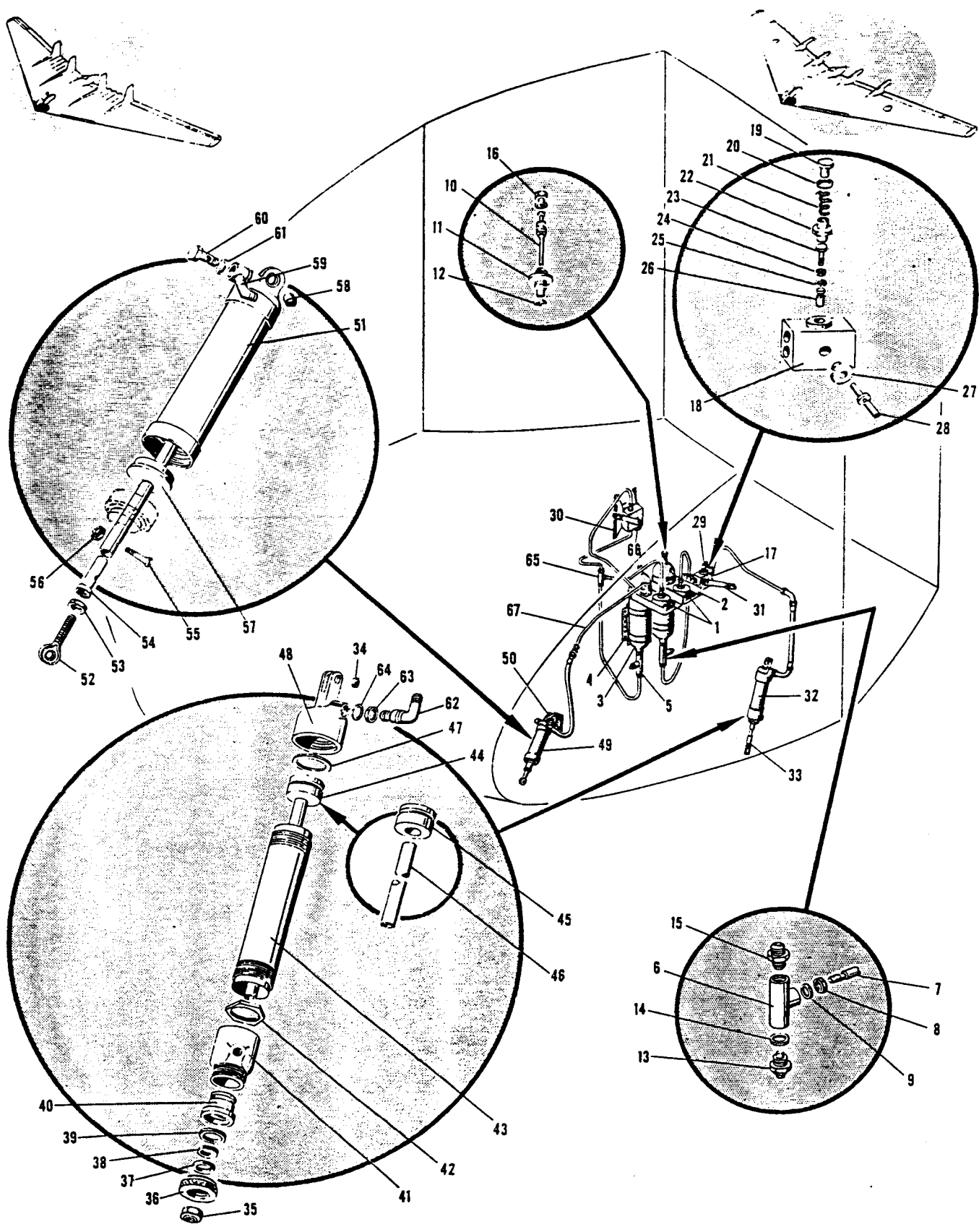


FIGURE 29—NOSE LANDING GEAR EMERGENCY BANGEE

CENTER WING GROUP
NOSE LANDING GEAR DOOR EMERGENCY BUNGEE

FIGURE & INDEX NUMBER	PART NUMBER	NOMENCLATURE	UNITS PER ASSEMBLY		USAGE CODE
			NP	ALL	
		Bungee Installation—Nose landing gear door emergency (For next assembly see page 59)	2	ALL	
	559294	Gage—Single 1 7 8 dial pressure	2	ALL	
29 - 1	AN5771-4B	Bracket Assembly—Nose gear door bungee gage shaft	2	ALL	
2	459436	Tank Assembly—Landing gear bungee and brake pressure	2	ALL	
3	415598	Bracket Assembly—Nose landing gear doors emergency bungee duplex air bottle	1	ALL	
4	561691	Valve Assembly—Globe type restrictor (PDI)	2	ALL	
5	401473-3	Body—Globe type restrictor valve (PDI)	1	ALL	
6	401474-3	Screw—(PDI)	1	ALL	
7	401484	Nut—(PDI)	1	ALL	
8	40052	Gasket—(PDI)	2	ALL	
9	10446	Core—High pressure air valve	2	ALL	
10	AN809-1	Body—High pressure air valve	2	ALL	
11	AN812-1	Gasket—Metal tube connecting seal	3	ALL	
12	AN901-5A	Reducer—External thread flared tube	2	ALL	
13	AN919-6D	Gasket—Flared tube universal fitting	6	ALL	
14	AN902-6	Union—Flared tube	2	ALL	
15	AN815-4D	Cap—High pressure air valve	2	ALL	
16	AN813-1A	Valve Assembly—Two way air (PDI)	1	ALL	
17	402677-2	Body—Two way air valve (PDI)	2	ALL	
18	403547	Cap—(PDI)	2	ALL	
19	404422	Gasket—(PDI)	2	ALL	
20	404609	Spring—(PDI)	2	ALL	
21	400644	Poppet—(PDI)	2	ALL	
22	404372	Screw—Flat head 40 x 1/2 (ALN)	2	ALL	
23	4-40	Nut—(PDI)	2	ALL	
24	401193	Nut—(PDI)	2	ALL	
24	401193	Nut—(PDI)	2	ALL	
25	AN6227-4	Packing—"O" ring hydraulic	2	ALL	
26	404253	Piston—(PDI)	2	ALL	
27	400639	Bearing—(PDI)	1	ALL	
28	401642	Cam—(PDI)	1	ALL	
29	259435	Bracket Assembly—Nose gear doors bungee valve	1	ALL	
30	561690	Bracket Assembly—Nose landing gear forward door emergency bungee control valve	2	ALL	
31	261509	Arm Assembly—Nose gear door bungee valve shaft	1	ALL	
32	559439	Cylinder—Nose gear aft door bungee	1	ALL	
		Attaching Parts			
	AN4-11A	Bolt—Aircraft 1/4-28	1	ALL	
	AN3-12A	Bolt—Aircraft (1032)	1	ALL	
	70B104-63	Bushing	1	ALL	
	AN365-428	Nut—Self locking	1	ALL	
	AN365-1032	Nut—Self locking	1	ALL	
	AN960D416	Washer—Plain	1	ALL	
	AN960D10	Washer—Plain	1	ALL	
33	259447	Rod End Assembly—Nose gear aft door bungee cylinder	1	ALL	
34	NAS75-3-008	Bushing—Plain	2	ALL	
35	AN924-6D	Nut—Flared tube universal	1	ALL	
36	260495	Nut—Bungee cylinder bushing retainer	1	ALL	
37	AN6231-5	Wiper—Packing gland ring	2	ALL	
38	AN6227-14	Packing—"O" ring hydraulic	1	ALL	
39	AN6227-17	Packing—"O" ring hydraulic	1	ALL	
40	260494	Bushing—Bungee cylinder piston rod	1	ALL	
41	560488	Cap—Bungee cylinder rod end	1	ALL	
42	260493	Nut—Bungee cylinder barrel lock	1	ALL	
43	460492	Barrel—Bungee cylinder	1	ALL	
44	460489	Rod Assembly—Bungee cylinder piston	1	ALL	
45	260490	Piston—Bungee cylinder	1	ALL	
46	260491	Rod—Bungee cylinder	1	ALL	
47	260496	Lockwasher—Bungee cylinder rod end	1	ALL	
48	560487	Cap—Bungee cylinder bearing end	1	ALL	
49	559440	Cylinder Assembly—Nose gear forward door bungee	1	ALL	
50	459406	Fitting Assembly—Nose landing gear forward door emergency bungee	1	ALL	
		Attaching Parts			
	AN4-10A	Bolt—Aircraft 1/4-28	1	ALL	
	AN4-7A	Bolt—Aircraft 1/4-28	4	ALL	
	AN365-428	Nut—Self locking	5	ALL	
	AN960D416	Washer—Plain	5	ALL	
51	1004	Cylinder Assembly—Main landing gear bungee (HOA) (See T.O. AN03-30-114)	1	ALL	
52	159450	End—Nose gear forward door bungee cylinder rod	1	ALL	
53	AN316-8R	Nut—Aircraft check	1	ALL	
54	159448	Bushing—Nose gear forward door bungee cylinder	1	ALL	
55	AN24-20	Bolt—Clevis 1/4-28	1	ALL	
56	AN320-4	Nut—Aircraft shear	1	ALL	
57	159449	Stop—Nose gear forward door bungee cylinder piston	2	ALL	
58	159490	Bushing—Nose gear forward door bungee cylinder cap	1	ALL	
59	AN778-6D	Elbow—Universal 45°	1	ALL	
60	AN775-6	Bolt—Universal	2	ALL	
61	AN901-6A	Gasket—Metal tube connecting seal	1	ALL	
62	AN833-4D	Elbow—Flared tube bulkhead and universal	3	ALL	
63	AN924-4D	Nut—Flared tube universal	11	ALL	
64	AN902-4	Gasket—Flared tube universal fitting	2	ALL	
65	AN834-4D	Tee—Flared tube bulkhead and universal	3	ALL	
66	159508	Plug—Nose gear doors bungee breather	AR	ALL	
67	559438	Lines Assembly—Nose gear door emergency bungee			

CENTER WING GROUP

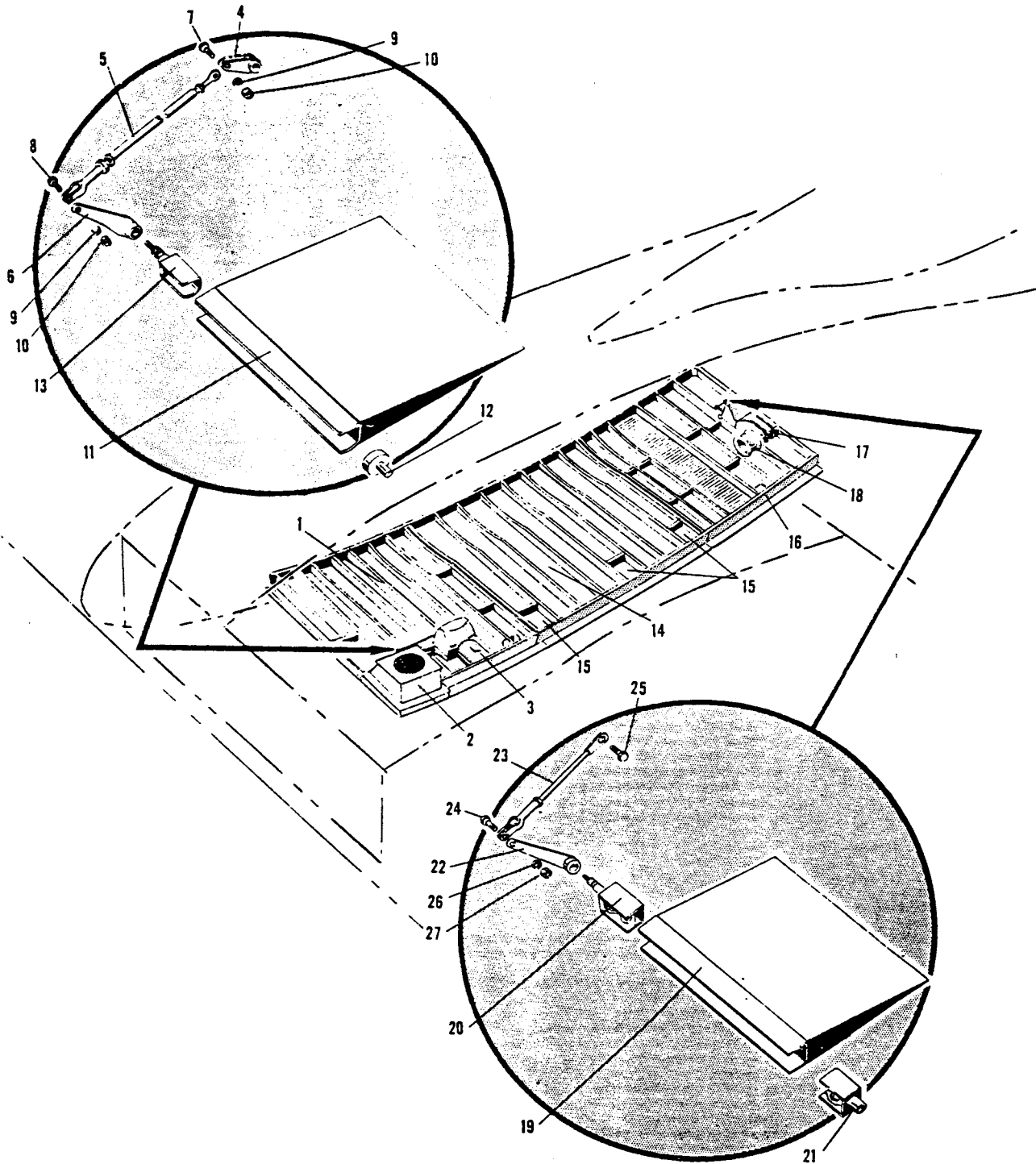
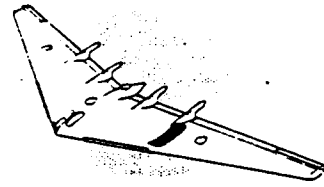


FIGURE 30—OUTBOARD ENGINE DOORS

RESTRICTED

CENTER WING GROUP
OUTBOARD ENGINE DOORS

FIGURE & INDEX NUMBER	PART NUMBER	NOMENCLATURE							UNITS PER ASSEM	USAGE CODE
		1	2	3	4	5	6	7		
		Outboard Engine Doors								
	594465	Door Installation—Center wing sta 338 to 400 forward section outboard engine LH (For next assembly see page 32)							NP	X
	594466	Door Installation—Center wing sta 338 to 400 forward section outboard engine RH (For next assembly see page 32)							NP	X
30 - 1	594465-80	Door Assembly—Forward section outboard engine riveted LH							1	X
	594466-80	Door Assembly—Forward section outboard engine riveted RH							1	X
2	596821	Duct Assembly—Outboard wing de-icing lower LH							1	X
	596822	Duct Assembly—Outboard wing de-icing lower RH							1	X
	592545	Controls Installation—Outboard wing de-icing valve LH							NP	X
	592546	Controls Installation—Outboard wing de-icing valve RH							NP	X
3	D2163-2	Motor—(Ritter Dental Co., Rochester, N. Y.)							1	X
		Attaching Parts								
	AN4-26A	Bolt—Aircraft 1/4-28							4	X
	AN960A-16	Washer—Plain							8	X
	AN365-428	Nut—Self locking							4	X
	AN365-624	Nut—Self locking							1	X
	AN960-616	Washer—Plain							2	X
4	256370	Lever Assembly—Outboard wing de-icing motor LH							1	X
	256370-1	Lever Assembly—Outboard wing de-icing motor RH							1	X
5	292536	Rod Assembly—Outboard wing de-icing flap							1	X
6	256327	Lever Assembly—Outboard wing de-icing flap LH							1	X
	256327-1	Lever Assembly—Outboard wing de-icing flap RH							1	X
		Attaching Parts								
7	AN24-14	Bolt—Clevis 1/4-28							1	X
8	AN24-10	Bolt—Clevis 1/4-28							1	X
9	AN960-416	Washer—Plain							2	X
10	AN310-4	Nut—Aircraft castle							2	X
11	592547	Flap Assembly—Outboard wing de-icing LH							1	X
	592548	Flap Assembly—Outboard wing de-icing RH							1	X
12	292551	Fitting Assembly—Outboard wing de-icing flap outboard LH							1	X
	292552	Fitting Assembly—Outboard wing de-icing flap outboard RH							1	X
13	256423	Fitting Assembly—Outboard wing de-icing flap inboard LH							1	X
	256423-1	Fitting Assembly—Outboard wing de-icing flap inboard RH							1	X
	594467	Door Installation—Station 338 to 400 center section outboard engine LH (For next assembly see page 32)							NP	X
	594468	Door Installation—Station 338 to 400 center section outboard engine RH (For next assembly see page 32)							NP	X
14	594467-70	Door Assembly—Station 338 to 400 center section outboard engine LH							1	X
	594468-70	Door Assembly—Station 338 to 400 center section outboard engine RH							1	X
15	594467-50	Door Assembly—Access LH							3	X
	594468-50	Door Assembly—Access RH							3	X
	594871	Door Installation—Station 338 to 400 aft section outboard engine LH (For next assembly see page 32)							NP	X
	594872	Door Installation—Station 338 to 400 aft section outboard engine RH (For next assembly see page 32)							NP	X
16	594871-70	Door Assembly—Aft section outboard engine riveted LH							1	X
	594872-70	Door Assembly—Aft section outboard engine riveted RH							1	X
	259600-30	Support Assembly—Collector shroud overboard valve bearing LH							1	X
	259600-40	Support Assembly—Collector shroud overboard valve bearing RH							1	X
17	596687	Duct Assembly—Outboard collector shroud valve LH							1	X
	596688	Duct Assembly—Outboard collector shroud valve RH							1	X
17	596687-10	Duct Assembly—Outboard collector shroud valve welded LH							1	X
	596688-10	Duct Assembly—Outboard collector shroud valve welded RH							1	X
18	S64559B	Coupling Assembly—(CME)							NP	X
	591805	Controls Installation—Outboard collector shroud valve							1	X
19	591805-20	Flap Assembly—Outboard collector shroud valve							1	X
	256404	Fitting Assembly—Collector shroud valve control							1	X
20	291811	Fitting Assembly—Collector shroud valve control							3	X
	AN4-3A	Bolt—Aircraft 1/4-28							4	X
21	AN520-10-8	Screw—Round head machine fine thread							1	X
	256358	Lever—Collector shroud valve control							1	X
22	291824	Rod Assembly—Outboard collector shroud valve push pull							1	X
23	AN24-10	Bolt—Clevis 1/4-28							1	X
24	AN4-6	Bolt—Aircraft 1/4-28							1	X
25	AN960-416	Washer—Plain							1	X
26	AN320-4	Nut—Aircraft shear							1	X

CENTER WING GROUP

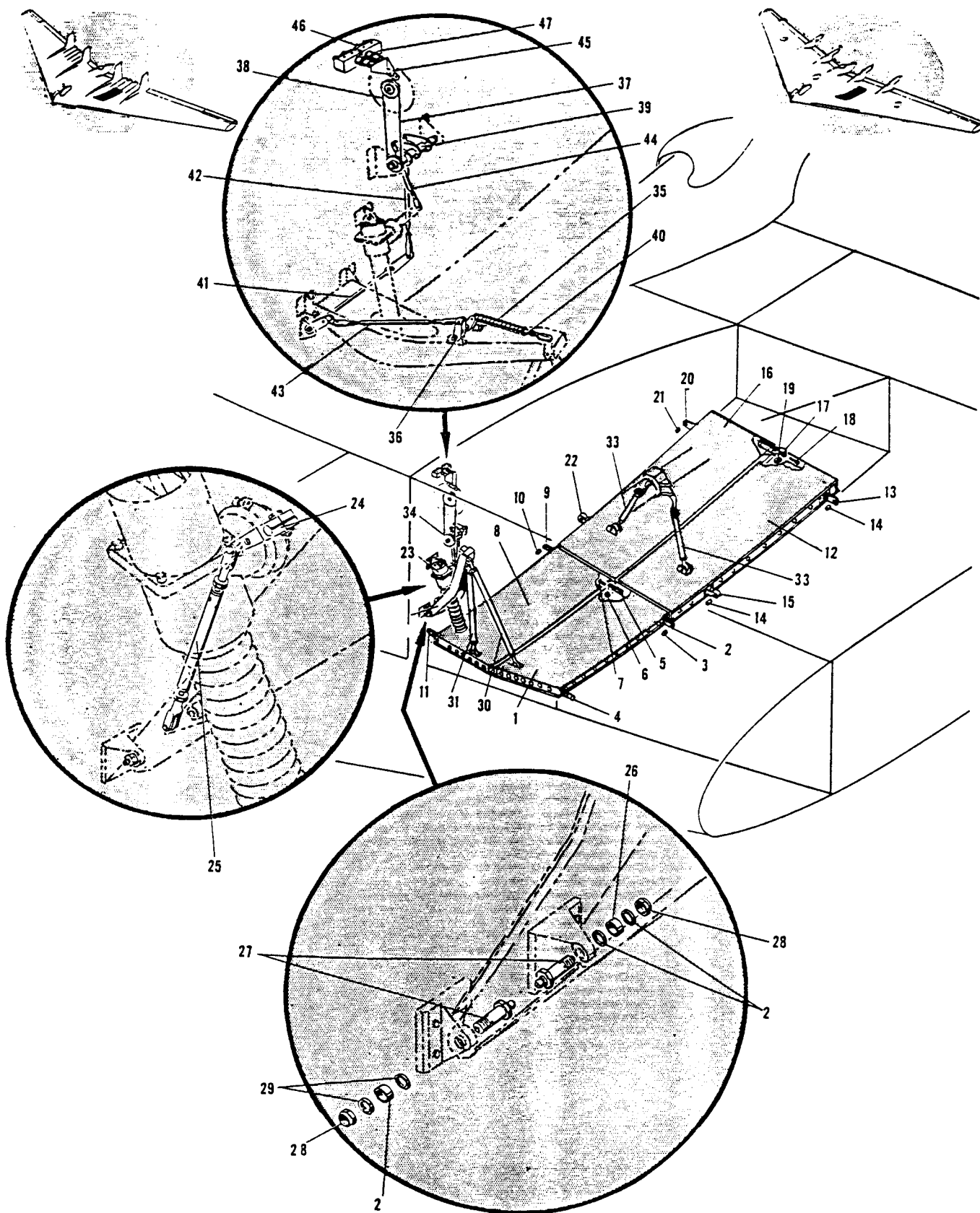


FIGURE 31—MAIN LANDING GEAR DOORS

RESTRICTED

CENTER WING GROUP
MAIN LANDING GEAR DOORS

FIGURE & INDEX NUMBER	PART NUMBER	1	2	3	4	5	6	7	NOMENCLATURE	UNITS PER ASSEM	USAGE CODE
	594275								Door Installation—Main landing gear LH (For next assembly see page 32)	NP	ALL
	594276								Door Installation—Main landing gear RH (For next assembly see page 32)	NP	ALL
31 - 1	594287								Door Assembly—Forward outboard main landing gear LH	1	ALL
	594288								Door Assembly—Forward outboard main landing gear RH	1	ALL
2	294301								Hinge Assembly—Main landing gear forward outboard door aft LH	1	ALL
	294302								Hinge Assembly—Main landing gear forward outboard door aft RH	1	ALL
3	195740								Bushing—Main landing gear forward door hinge	1	ALL
4	294299								Hinge Assembly—Main landing gear forward outboard door forward LH	1	ALL
	294300								Hinge Assembly—Main landing gear forward outboard door forward RH	1	ALL
	195740								Bushing—Main landing gear forward door hinge	1	ALL
5	296127								Fitting Assembly—Main landing gear forward outboard door roller LH	1	ALL
	296128								Fitting Assembly—Main landing gear forward outboard door roller RH	1	ALL
6	74164								Bearing—(RBC)	1	ALL
7	296127-2								Bolt—(Make from NAS207-43)	1	ALL
8	594277								Door Assembly—Main landing gear forward inboard LH	1	ALL
	594278								Door Assembly—Main landing gear forward inboard RH	1	ALL
9	295691								Hinge Assembly—Main landing gear forward inboard door aft LH	1	ALL
	295692								Hinge Assembly—Main landing gear forward inboard door aft RH	1	ALL
10	195740								Bushing—Main landing gear forward door hinge	1	ALL
11	294297								Hinge Assembly—Main landing gear forward inboard door forward LH	1	ALL
	294298								Hinge Assembly—Main landing gear forward inboard door forward RH	1	ALL
	195740								Bushing—Main landing gear forward door hinge	1	ALL
12	594305								Door Assembly—Main landing gear outboard aft LH	1	ALL
	594306								Door Assembly—Main landing gear outboard aft RH	1	ALL
13	195603								Hinge Assembly—Main landing gear aft door	2	ALL
14	194296								Bushing—Main landing gear aft doors	1	ALL
15	495601								Fitting Assembly—Main landing gear aft door hinge	1	ALL
16	594303								Door Assembly—Main landing gear inboard aft LH	1	ALL
	594304								Door Assembly—Main landing gear inboard aft RH	1	ALL
17	296175								Bracket Assembly—Main landing gear aft inboard door bearing LH	1	ALL
	296176								Bracket Assembly—Main landing gear aft inboard door bearing RH	1	ALL
18	296175-2								Bolt—(Make from AN4-12 bolt)	1	ALL
19	RBC4								Bearing—(RBC)	1	ALL
20	195603								Hinge Assembly—Main landing gear aft door	1	ALL
21	194296								Bushing—Main landing gear aft doors	2	ALL
22	495601								Fitting Assembly—Main landing gear aft door hinge	1	ALL
23	A7612S								Actuator—Main landing gear doors LH (DE)	1	ALL
	A7612T								Actuator—Main landing gear doors RH (DE)	1	ALL
24	195336								Beil Crank—Emergency relief mechanism aft nose wheel door	1	ALL
25	NAS111-10-6.1								Rod—Control adjustable clevis ends	1	ALL
		Attaching Parts									
	AN3-11A								Bolt—Aircraft 10-32	1	ALL
	AN23-10								Bolt—Clevis 10-32	1	ALL
	AN30-44								Bolt—Clevis 5 8-18	2	ALL
	AN960D10								Washer—Plain	1	ALL
	AN960A616								Washer—Plain	1	ALL
	AN320-3								Nut—Aircraft shear	1	ALL
	AN365-1032								Nut—Self locking	1	ALL
	AN320-10								Nut—Aircraft shear	1	ALL
26	161959								Bushing—Main landing gear beam actuator	2	ALL
27	296344								Bolt Assembly—Main landing gear door beam actuating support	2	ALL
28	AN310-5								Nut—Aircraft castle	2	ALL
29	AN960A516								Washer—Plain	1	ALL
30	494294-10								Rod Assembly—Main landing gear forward doors connecting	1	ALL
31	494294-20								Rod Assembly—Main landing gear forward doors connecting	1	ALL
32	595753								Beam Assembly—Main landing gear forward door actuating mechanism LH	1	ALL
	595754								Beam Assembly—Main landing gear forward door actuating mechanism RH	1	ALL
33	495625								Rod—Main landing gear aft doors connecting	2	ALL
34	561264								Door Installation—Main landing gear emergency release LH	NP	ALL
	561264-1								Door Installation—Main landing gear emergency release RH	NP	ALL
35	155901								Spring—Nose landing gear controls cable tension	2	ALL
36	461738								Lever Assembly—Main landing gear door beam LH	1	ALL
	461738-1								Lever Assembly—Main landing gear door beam RH	1	ALL
37	261279								Cable Assembly—Main landing gear door emergency release lower	2	ALL
38	261280								Cable Assembly—Main landing gear door emergency release upper	2	ALL
39	461282								Spool Assembly—Main landing gear emergency release actuating LH	1	ALL
	461282-1								Spool Assembly—Main landing gear emergency release actuating RH	1	ALL
	261283								Block—Main landing gear door emergency release universal	4	ALL
40	261284								Rod Assembly—Main landing gear door emergency release	2	ALL
41	461286								Lever Assembly—Main landing gear door emergency release	4	ALL
	AN155-85								Barrel—Turnbuckle	2	ALL
42	82R101-1690								Rod Assembly—Control threaded ends	2	ALL
43	82R101-1955								Rod Assembly—Control threaded ends	2	ALL
44	82R213-555								Rod Assembly Control	2	ALL
	561978								Switch Installation—Main landing gear emergency LH	NP	ALL
	561978-1								Switch Installation—Main landing gear emergency RH	NP	ALL
45	561978-2								Actuator Assembly—Main landing gear emergency LH	1	ALL
	561978-3								Actuator Assembly—Main landing gear emergency RH	1	ALL
46	AN3210-1								Switch—Low travel limit	2	ALL
47	MC7711								Actuator (MCS)	2	ALL
	561493								Rack Installation—Main landing gear forward doors emergency release LH	NP	ALL
	561493-1								Rack Installation—Main landing gear forward doors emergency release RH	NP	ALL

CENTER WING GROUP

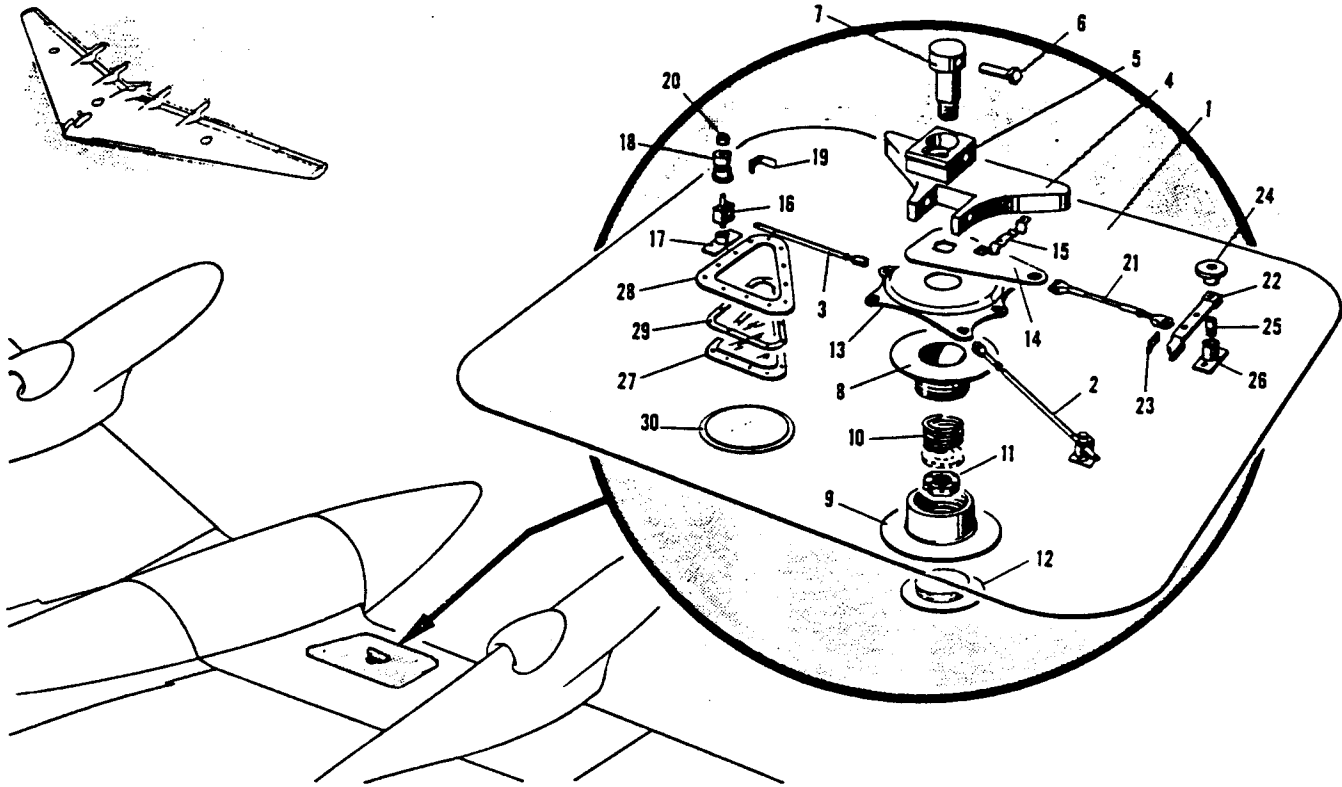


FIGURE 32—LIFE RAFT AND DINGHY DOOR

LIFE RAFT & DINGHY DOOR

FIGURE & INDEX NUMBER	PART NUMBER	1	2	3	4	5	6	7	NOMENCLATURE	UNITS PER ASSEM	USAGE CODE
	573591								Door Assembly—Life raft and dinghy radio stowage compartment LH (For next assembly see page 32)	1	G-R
	573592								Door Assembly—Life raft and dinghy radio stowage compartment RH (For next assembly see page 32)	1	G-R
32 - 1	573591-20								Door Assembly—Life raft and dinghy radio stowage compartment LH	1	G-R
	573592-20								Door Assembly—Life raft and dinghy radio stowage compartment RH	1	G-R
2	573591-50								Rod Assembly—Life raft and dinghy radio stowage compartment	4	G-R
3	573591-60								Rod Assembly—Life raft and dinghy radio stowage compartment	2	G-R
4	472092								Handle—Life raft stowage compartment door	1	G-R
5	273807								Swivel—Life raft stowage compartment door handle LH	1	G-R
	273808								Swivel—Life raft stowage compartment door handle RH	1	G-R
6	173810								Key—Life raft stowage compartment door handle shaft	1	G-R
7	173804								Shaft—Life raft stowage compartment door handle shaft	1	G-R
8	173599								Bearing—Life raft stowage compartment door handle	1	G-R
9	173809								Bearing—Life raft stowage compartment door handle lower	1	G-R
10	172046								Spring—Life raft stowage compartment door handle	1	G-R
11	AN320-3								Nut—Aircraft shear	1	G-R
12	172192								Plug—Life raft stowage compartment door handle bearing	1	G-R
13	573591-9								Spider—Life raft and dinghy radio stowage compartment LH	1	G-R
	573592-9								Spider—Life raft and dinghy radio stowage compartment RH	1	G-R
14	573591-11								Spider—Life raft and dinghy radio stowage compartment	1	G-R
15	473803-2								Spring—Life raft stowage compartment door assorted flat	1	G-R
16	173801								Swivel—Life raft stowage compartment door	6	G-R
17	173800								Bearing—Life raft stowage compartment door lug swivel lower	6	G-R
18	173912								Sleeve—Life raft stowage compartment door swivel threaded	6	G-R
19	473803-3								Spring—Life raft stowage compartment door assorted flat	6	G-R
20	AN360-5								Nut—Plain engine	6	G-R
21	10C318-1050								Cable Assembly	1	G-R
22	273595								Arm—Life raft stowage compartment door actuator LH	1	G-R
	273596								Arm—Life raft stowage compartment door actuator RH	1	G-R
23	473803-4								Spring—Life raft stowage compartment door assorted flat	1	G-R
24	173799								Bearing—Life raft stowage compartment door actuator arm lower	1	G-R
25	173797								Shaft—Life raft stowage compartment door activator arm	1	G-R
26	173798								Bearing—Life raft stowage compartment door activator arm lower	1	G-R
27	473597								Window—Center wing life raft stowage compartment door outer observation LH	1	G-R
	473598								Window—Center wing life raft stowage compartment door outer observation RH	1	G-R
28	573591-7								Retainer—Life raft and dinghy radio stowage compartment	1	G-R
28	573591-7								Retainer—Life raft and dinghy radio stowage compartment	1	G-R
29	573591-8								Retainer—Life raft and dinghy radio stowage compartment	1	G-R
30	473795								Window—Center wing life raft stowage compartment door inner observation LH	1	G-R
	473795-1								Window—Center wing life raft stowage compartment door inner observation RH	1	G-R

CENTER WING GROUP
BOMB BAY DOORS AND MECHANISMS

FIGURE & INDEX NUMBER	PART NUMBER	1	2	3	4	5	6	7	NOMENCLATURE	UNITS PER ASSEM	USAGE CODE
		Bomb Bay Doors and Mechanisms									
	394399								Door Installation and Assembly—Bomb bay roller LH (For next assembly see page J2)	NP	ALL
	594400								Door Installation and Assembly—Bomb bay roller RH (For next assembly see page J2)	NP	ALL
33 - 1	594447								Door Assembly—Bomb bay LH	*4	ALL
	594448								Door Assembly—Bomb bay RH	*4	ALL
	559330								Mechanism Installation—Bomb bay closing drive LH	NP	ALL
	559330-1								Mechanism Installation—Bomb bay closing drive RH	NP	ALL
2	559300								Unit Assembly—Bomb bay door power	8	ALL
	559300-2								Planet Assembly—Bomb bay door power unit	1	ALL
	459303								Gear Assembly—Bomb bay door power unit planet	3	ALL
	259310								Shaft—Bomb bay door power unit compound planet support	3	ALL
	259315								Gage—Bomb bay door power unit compound planet support	1	ALL
	259319								Washer—Bomb bay door power unit planet shaft retaining	2	ALL
	T602								Washer—Oilite (CC)	6	ALL
	S5K								Bearing—(FAF)	1	ALL
3	559304								Gear Assembly—Bomb bay door power unit large ring	1	ALL
4	559305								Gear Assembly—Bomb bay door power unit small ring	1	ALL
	NAS51-75								Ring—Snap	1	ALL
5	459306								Gear Assembly—Bomb bay door power unit output idler	1	ALL
6	559301								Housing Assembly—Bomb bay door power unit	1	ALL
7	259311								Shaft—Bomb bay door power unit output idler gear	1	ALL
8	259329								Key—Bomb bay door power unit spacer locking	1	ALL
9	259327								Spacer—Bomb bay power unit ring gear	1	ALL
10	559300-6								Ring—Snap (Make from NAS50-287)	1	ALL
11	259312								Shaft—Bomb bay door power unit output	1	ALL
12	259316								Carrier Assembly—Bomb bay door power unit output shaft bearing	1	ALL
	AN280H304								Key—Woodruff	3	ALL
13	459307								Gear Assembly—Bomb bay door power unit output	1	ALL
14	NAS51-59								Ring—Snap	1	ALL
15	459308								Gear Assembly—Bomb bay door power unit brake idler	1	ALL
16	259313								Shaft—Bomb bay door power unit brake idler gear	1	ALL
17	559300-4								Brake Assembly—Bomb bay door power unit	2	ALL
	259505								Bearing Assembly—Bomb bay door power unit brake support	1	ALL
	259328								Ring—Bomb bay door power unit brake shaft oil slinger	1	ALL
	NAS51-75								Ring—Snap	1	ALL
	459309								Gear Assembly—Bomb bay door power unit brake shaft	1	ALL
	254723								Pack Assembly—Landing flap power unit clutch and brake	1	ALL
	254725								Plate—Elevon power unit brake pressure	1	ALL
	259314								Shaft—Bomb bay door power unit brake pressure plate control	1	ALL
	AN23-22A								Bolt—Clevis 10-32	1	ALC
	AN364-1032								Nut—Self locking thin	1	ALL
	AN960C10L								Washer—Plain	2	ALL
	559317								Housing—Bomb bay door power unit brake	1	ALL
	NAS50-200								Ring—Snap	2	ALL
	259320								Guide—Bomb bay door power unit brake spring fixed	1	ALL
	259321								Guide Assembly—Bomb bay door power unit brake spring adjustable	1	ALL
	259322								Spring—Bomb bay door power unit brake	1	ALL
18	259323								Bolt—Bomb bay door power unit solenoid armature attaching	1	ALL
19	KP4A								Bearing—(FAF)	1	ALL
20	459325								Solenoid—Bomb bay door power unit	1	ALL
21	459318								Fitting—Bomb bay door power unit solenoid attaching	1	ALL
	AN900-20								Gasket—Copper asbestos annular	1	ALL
	AN909-20								Plug—Square head drilled for locking	1	ALL
	AN3-10A								Bolt—Aircraft 10-32	4	ALL
	AN364-1032								Nut—Self locking thin	9	ALL
	AN960C10L								Washer—Plain	17	ALL
	AN4-11A								Bolt—Aircraft 1 4-28	4	ALL
	AN364-428								Nut—Self locking thin	5	ALL
	AN960C416L								Washer—Plain	8	ALL
	AN503-8-6								Screw—Drilled fillister head machine	4	ALL
	AN960C8L								Washer—Plain	4	ALL
	10W032-26C62								Washer	1	ALL
	AN3-16A								Bolt—Aircraft 10-32	4	ALL
	NAS43-4 5								Spacer	1	ALL
22	259326								Gasket—Bomb bay door power unit solenoid attaching	1	ALL
23	559443								Motor Assembly—Bomb bay door power unit	1	ALL
24	559443-2								Motor Assembly—Bomb bay door power unit riveted	1	ALL
	459324								Motor—Bomb bay door operating	1	ALL
	15447								Motor—24 volt D.C. (UE)	1	ALL
25	459302								Gear—Bomb bay door power unit motor	1	ALL
26	459653								Cam—Bomb bay door motor centrifugal switch fixed	1	ALL
27	459654								Cam—Bomb bay door motor centrifugal switch sliding	1	ALL
28	206								Key—Woodruff (ALQ)	1	ALL
29	No Number								Ball—Steel .437 diameter (Strom Steel Ball Co., Cicero, Illinois)	4	ALL
30	259655								Retainer—Bomb bay door motor switch ball	1	ALL
31	NAS51-31								Ring—Snap	2	ALL
32	NAS50-62								Ring—Snap	1	ALL
33	259661								Shaft Assembly—Bomb bay door centrifugal switch mechanism cam actuating	1	ALL
34	259657								Arm—Bomb bay door motor centrifugal switch actuating	1	ALL
35	159660								Spring—Bomb bay door motor centrifugal switch mechanism	1	ALL
36	259659								Guide—Bomb bay door motor centrifugal switch mechanism spring	1	ALL
37	AN364-1032								Nut—Self locking thin	1	ALL
38	259658								Hinge—Bomb bay door motor centrifugal switch mechanism arm	1	ALL
39	259652								Cover—Bomb bay door motor centrifugal switch housing	1	ALL

*NOTE—4 Left, 4 Right Bomb bay doors on YB-35 Airplanes; 3 Left, 3 Right on YB-49 Airplanes

CENTER WING GROUP

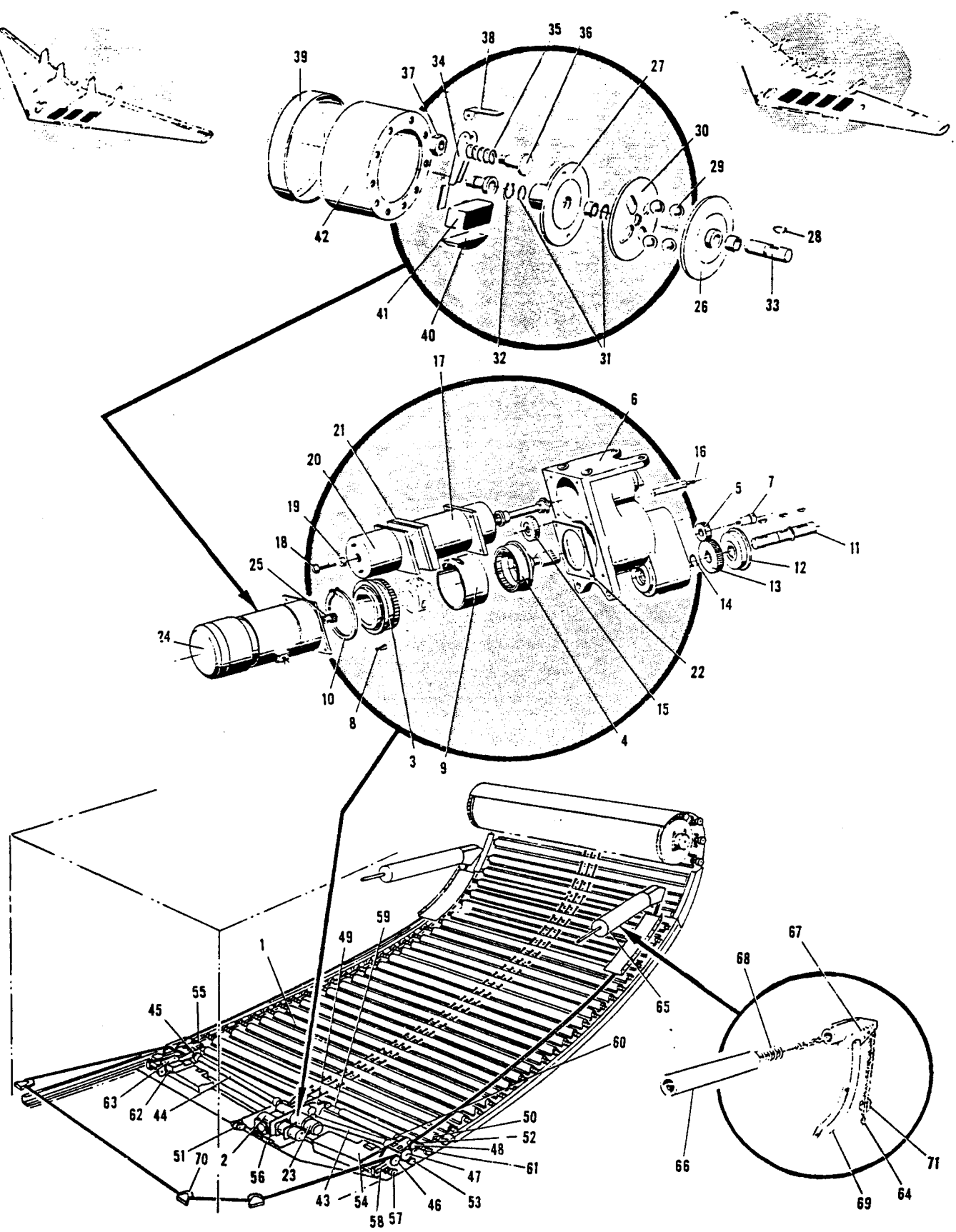


FIGURE 33—BOMB BAY DOORS AND MECHANISMS

CENTER WING GROUP
BOMB BAY DOORS AND MECHANISMS

FIGURE & INDEX NUMBRE	PART NUMBER	NOMENCLATURE							UNITS PER ASSEM	USAGE CODE
		1	2	3	4	5	6	7		
33 - 40	259656	1	ALL
41	WZ7RDT	1	ALL
42	459651	1	ALL
	459961	1	ALL
	AN3-46A	1	ALL
	AN23-13A	4	ALL
	AN365-1032	6	ALL
	AN960D10	12	ALL
	70B103-399	1	ALL
43	459340	1	ALL
	259335	2	ALL
44	459341	1	ALL
45	S7KDD	4	ALL
46	259332	2	ALL
	AN4-13A	2	ALL
	AN365-428	2	ALL
	159726	2	ALL
	AN960D416	4	ALL
	AN280H304	2	ALL
	AN364-428	2	ALL
	10W065-261C75	2	ALL
47	259336	2	ALL
48	259333	2	ALL
	AN3-12A	2	ALL
	NAS75-3-013	2	ALL
	AN364-1032	2	ALL
	NAS43-10-104	1	ALL
49	261818	1	ALL
	AN393-23	1	ALL
	159917-4	2	ALL
	AN3-11A	2	ALL
50	458143	2	ALL
	559888	1	ALL
51	259882	4	ALL
52	258144	2	ALL
53	259899	1	ALL
54	559889-4	1	ALL
	559889-5	1	ALL
55	559889-6	1	ALL
	559889-7	1	ALL
56	159912	1	ALL
	159912-1	2	ALL
57	259892	4	ALL
	160468	2	ALL
	173308	4	ALL
58	559890	4	ALL
	559890-1	1	ALL
59	459874	2	ALL
60	159917-2	74	ALL
	554829	74	ALL
	454393	1	ALL
	460138	1	ALL
	460138-1	2	ALL
61	194609	1	ALL
62	260115	1	ALL
63	260114	1	ALL
	559344	NP	ALL
64	459331	1	ALL
65	459377	2	ALL
66	459379	1	ALL
67	259332	1	ALL
68	159378	1	ALL
69	460209	1	ALL
	259381	1	ALL
70	259332	**11	ALL
71	260102	**8	ALL

*NOTE: Only 8 used on YB-49 airplanes.
**NOTE: Only 6 used on YB-49 airplanes.

CENTER WING GROUP

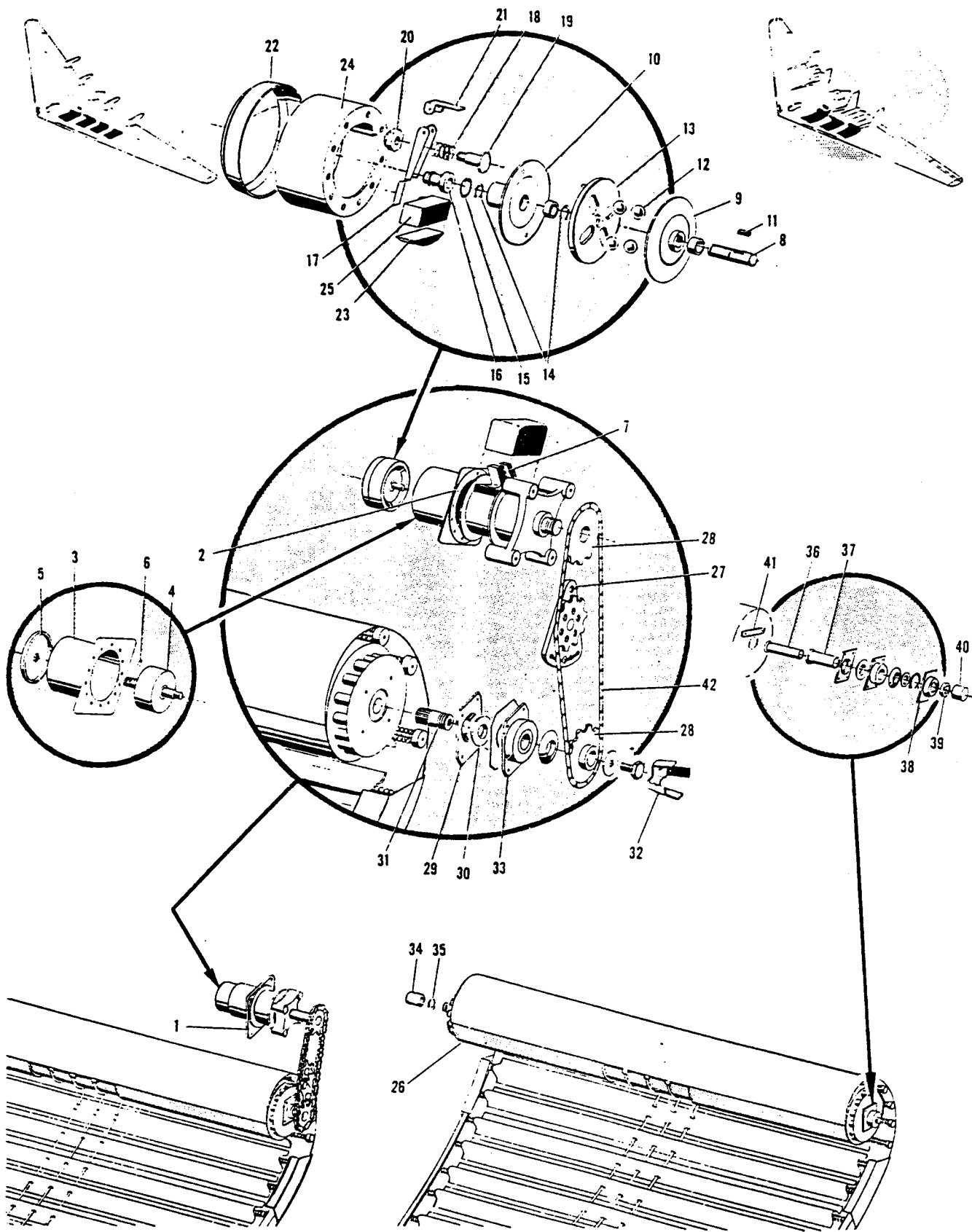


FIGURE 34—BOMB BAY DOOR OPENING MECHANISM

CENTER WING GROUP
BOMB BAY DOORS AND BOMB BAY DOOR MECHANISM

FIGURE & INDEX NUMBER	PART NUMBER	1	2	3	4	5	6	7	NOMENCLATURE	UNITS PER ASSEM	USAGE CODE
	559663								Mechanism Installation—Bomb bay door opening LH (For next assembly see page J2)	NP	ALL
	559663-1								Mechanism Installation—Bomb bay door opening RH (For next assembly see page J2)	NP	ALL
34 - 1	559662								Unit Assembly—Bomb bay opening power	*4	T
2	559678								Motor Assembly—Bomb bay door opening	1	T
3	559678-10								Motor (Make from Ritter Co. Motor No. D2162-2)	1	T
4	559678-2								Rotor Assembly—Bomb bay door opening (Make from Ritter Co. rotor No. D3577)	1	T
5	559678-6								Cover Assembly—Bomb bay door opening motor (Make from Ritter Co. cover No. D3243)	1	T
6	559678-8								Pin—Bomb bay door opening rotor shaft	1	T
7	559678-14								Arm Assembly—Bomb bay door opening motor (Make from Ritter Co. arm No. D3344)	1	T
8	459679								Shaft—Bomb bay door opening motor	1	T
9	459653								Cam—Bomb bay door motor centrifugal switch fixed	1	T
10	459654								Cam—Bomb bay door motor centrifugal switch sliding	1	T
11	206								Key—Woodruff (ALQ)	1	T
12	No Number								Ball—Steel .437 diameter (Strom Steel Ball Co., Cicero, Illinois)	4	T
13	259655								Retainer—Bomb bay door motor switch ball	1	T
14	NASS1-31								Ring—Snap	2	T
15	NASS0-62								Ring—Snap	1	T
16	259661								Shaft Assembly—Bomb bay door centrifugal switch mechanism cam actuating	1	T
17	259657								Arm—Bomb bay door motor centrifugal switch	1	T
18	159660								Spring—Bomb bay door motor centrifugal switch mechanism	1	T
19	259659								Guide—Bomb bay door motor centrifugal switch mechanism spring	1	T
20	AN364-1032								Nut—Self locking thin	1	T
21	259658								Hinge—Bomb bay door motor centrifugal switch mechanism arm	1	T
22	259652								Cover—Bomb bay door motor centrifugal switch mechanism housing	1	T
23	259656								Support—Bomb bay door motor centrifugal switch mechanism	1	T
24	459956								Housing Assembly—Bomb bay door motor centrifugal switch	1	T
25	WZ7RDT								Switch—Micro (MCS)	1	T
	560095								Unit Assembly—Bomb bay door opening power (For detail breakdown see page 73)	4	U
26	559942								Drum Assembly—Bomb bay door operating mechanism LH	*4	ALL
	559942-1								Drum Assembly—Bomb bay door operating mechanism RH	*4	ALL
27	459363								Sprocket Assembly—Bomb bay door opening mechanism idler LH	*1	ALL
	459363-1								Sprocket Assembly—Bomb bay door opening mechanism idler RH	*2	ALL
28	496144								Sprocket—Bomb bay door operating mechanism	*7	ALL
	160812								Plate—Bomb bay door drum brake	47	ALL
	AN365-428								Nut—Self locking	66	ALL
	AN960D+16								Washer—Plain	7	ALL
29	194214								Seal—Bomb bay door drum bearing rib sta 44 to 338	7	ALL
30	194217								Ring—Bomb bay door drum shaft rib sta 44 to 338	4	ALL
31	296155-3								Shaft—Bomb bay door drum motor	2	ALL
	AN4-30A								Bolt—Aircraft 1/4-28	2	ALL
	AN76-5								Bolt—Drilled head 5/16	2	ALL
32	183822								Guard—Bomb bay doors spline shaft	7	ALL
33	194213								Housing Assembly—Bomb bay door bearing rib station 44 to 338	1	ALL
34	196170-1								Collar—Bomb bay door drum support shaft	3	ALL
35	NASS1-87								Ring—Snap	2	ALL
	196170-2								Collar—Bomb bay door drum support shaft	4	ALL
	AN4-33A								Bolt—Aircraft 1/4-28	4	ALL
36	459945								Tube—Bomb bay door drum cable housing	3	ALL
37	196143								Shaft—Bomb bay door drum support	4	ALL
	NASS1-100								Ring—Snap	4	ALL
38	459939								Fitting Assembly—Bomb bay drum cable retaining tube	4	ALL
39	AN3066-6								Nut—Lock conduit coupling	4	ALL
40	AN3057-6								Adapter—Electrical accessory	1	ALL
	196143-2								Shaft—Bomb bay door drum support	1	ALL
41	183728								Filler—Rib 215.5 bomb bay door motor	1	ALL
42	RC40								Chain—Roller (LIB)	1	ALL

*NOTE—4 Left, 4 Right Bomb Bay Doors on YB-35 Airplanes; 3 Left, 3 Right on YB-49 Airplanes.

CENTER WING GROUP

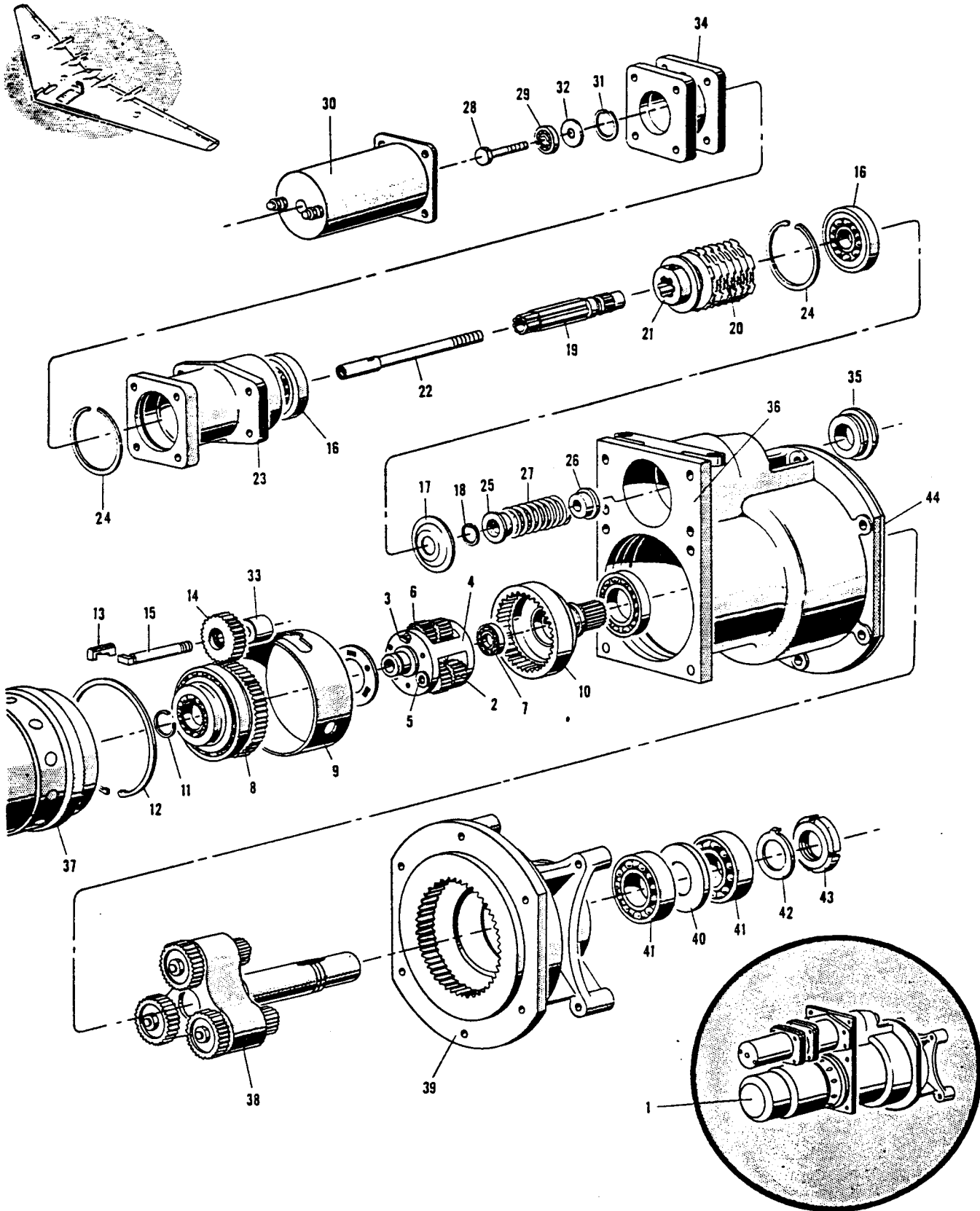


FIGURE 35—BOMB BAY DOOR OPENING POWER UNIT

CENTER WING GROUP
BOMB BAY DOOR OPENING POWER UNIT

FIGURE & INDEX NUMBER	PART NUMBER	NOMENCLATURE							UNITS PER ASSEM	USAGE CODE
		1	2	3	4	5	6	7		
35 - 1	560095	Unit Assembly—Bomb bay door opening power (For next assembly see page 71)							4	U
	560095-2	Planet Assembly—Bomb bay door opening power							1	U
2	459303	Gear Assembly—Bomb bay door power unit planet							3	U
3	259310	Shaft—Bomb bay door power unit compound planet support							3	U
4	459315	Cage—Bomb bay door power unit compound planet support							1	U
5	259319	Washer—Bomb bay door power unit planet shaft retaining							2	U
6	T602	Washer—Oilite (CC)							6	U
7	SSK	Bearing—(FAF)							1	U
8	559304	Gear Assembly—Bomb bay door power unit large ring							1	U
9	259327	Spacer—Bomb bay door power unit ring gear							1	U
10	560446	Gear Assembly—Bomb bay door opening unit							1	U
11	NAS51-75	Ring—Snap							1	U
12	560095-6	Ring—Snap							1	U
13	259329	Key—Bomb bay door power unit spacer locking							1	U
14	459308	Gear Assembly—Bomb bay door power unit brake idler							1	U
15	260500	Shaft—Bomb bay door opening power unit							1	U
	560095-4	Brake Assembly—Bomb bay door power unit							1	U
16	259505	Bearing Assembly—Bomb bay door power unit brake support							2	U
17	259328	Ring—Bomb bay door power unit brake shaft or slinger							1	U
18	NAS51-75	Ring—Snap							1	U
19	459309	Gear Assembly—Bomb bay door power unit brake shaft							1	U
20	254723	Pack Assembly—Landing flap power unit clutch and brake							1	U
21	257325	Plate—Elevon power unit brake pressure							1	U
22	259314	Shaft—Bomb bay door power unit brake pressure plate control							1	U
	AN23-22A	Bolt—Clevis							1	U
	AN364-1032	Nut—Self locking thin							9	U
	AN365-428	Nut—Self locking							7	U
	AN960D416	Washer—Plain							14	U
	AN960C10L	Washer—Plain							18	U
23	559317	Housing—Bomb bay door power unit brake							1	U
24	NAS50-200	Ring—Snap							2	U
25	259320	Guide—Bomb bay door power unit brake spring fixed							1	U
26	160450	Guide—Bomb bay door opening unit spring							1	U
27	159322	Spring—Bomb bay door power unit brake							1	U
28	259323	Bolt—Bomb bay door power unit solenoid armature attaching							1	U
29	K4A	Bearing—(FAF)							1	U
30	459325	Solenoid—Bomb bay door power unit							1	U
31	NAS50-75	Ring—Snap							1	U
32	NAS43-4-5	Spacer—Screw and bolt							1	U
33	12B048	Nut—Stop (EN)							1	U
34	459318	Fitting—Bomb bay door power unit solenoid attach							1	U
35	260447	Plug—Bomb bay door opening unit							1	U
36	560453	Housing Assembly—Bomb bay door opening unit front							1	U
37	559443	Motor Assembly—Bomb bay door power unit (For detail breakdown see page 67)							1	U
38	460442	Shaft Assembly—Bomb bay door opening unit output							1	U
39	460532	Housing Assembly—Bomb bay door opening unit rear							1	U
40	260533	Spacer—Bomb bay door rear housing bearing							1	U
41	205KPP	Bearing—(FAF)							1	U
42	W05	Washer—(FAF)							1	U
43	N05	Nut—(FAF)							1	U
44	260449	Gasket—Bomb bay door opening unit housing							2	U
	AN4-11A	Bolt—Aircraft 1 4-28							10	U
	AN3-10A	Bolt—Aircraft 10-32							4	U
	AN364-428	Nut—Self locking thin							6	U
	AN960C416L	Washer—Plain							10	U

CENTER WING GROUP

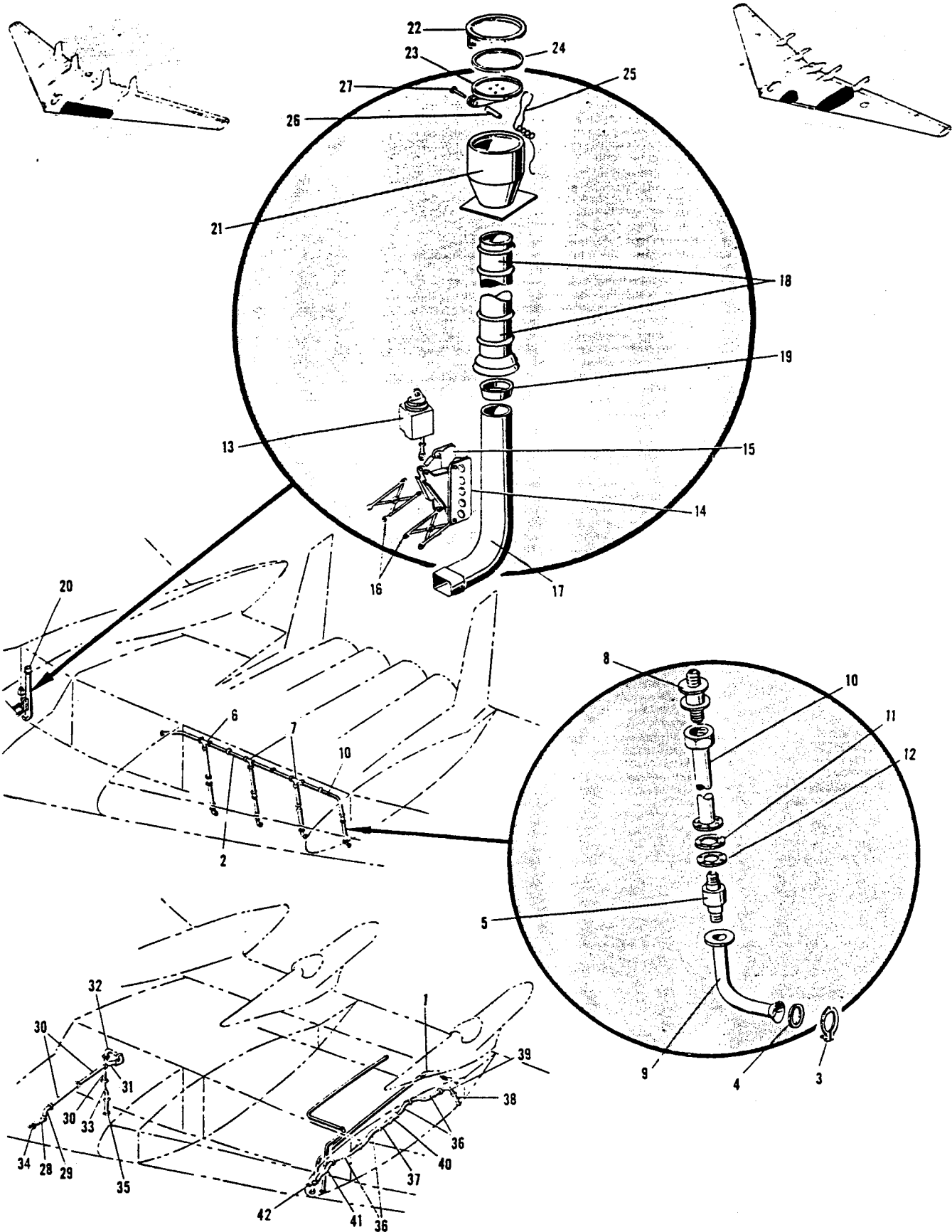


FIGURE 36—PIPING, DUCTS AND INTAKE

CENTER WING GROUP
PIPING, DUCTS AND INTAKE

FIGURE & INDEX NUMBER	PART NUMBER	NOMENCLATURE	UNITS PER ASSEM	USAGE CODE		
					1	2
		Piping, Ducts and Intake.....				
	588879	Piping Installation—Temperature and pressure outboard engine compartment and bomb bay No. 1 LH (For next assembly see page 32).....	NP	X		
	588880	Piping Installation—Temperature and pressure outboard engine compartment and bomb bay No. 8 RH (For next assembly see page 32).....	NP	X		
36 - 1	588877	Piping—Pressure switches LH.....	AR	X		
	588878	Piping—Pressure switches RH.....	AR	X		
	AN884-4-15	Hose—Aromatic resistant synthetic.....	3	X		
		Attaching Parts				
	755-4-2-6	Clamp—(AP).....	93	X		
	783-2-4	Clamp—(AP).....	1	X		
	787-1-4	Clamp—(AP).....	2	X		
	AN748-22	Clamp—Hose.....	6	X		
	AN825-4D	Tee—Flared tube pipe thread on side.....	1	X		
	AN822-4D	Elbow—Flared tube pipe thread 90°.....	2	X		
	AN832-4D	Union—Flared tube 3/8 bulkhead and universal.....	1	X		
	AN924-4D	Nut—Flared tube universal.....	1	X		
	556985	Duct Assembly—Cabin supercharging wing sta 215.5 to sta 439.5 LH (For next assembly see page 32).....	1	DE		
	556985-1	Duct Assembly—Cabin supercharging wing sta 215.5 to sta 439.5 RH (For next assembly see page 32).....	1	DE		
2	S68764B	Duct—Cabin supercharging (CME).....	1	DE		
3	257433	Clamp Assembly—Quick disconnect.....	4	DE		
4	257618	Gasket—Cabin supercharging duct 2.00 inside diameter.....	4	DE		
5	8422	Coupling (CME).....	4	DE		
	556985-24	Tube Assembly—Cabin supercharging welded LH.....	1	DE		
	556985-25	Tube Assembly—Cabin supercharging welded RH.....	1	DE		
	556985-21	Tube Assembly—Cabin supercharging welded.....	1	DE		
	556985-4	Clamp—Cabin supercharging.....	1	DE		
6	556985-5	Adapter Assembly—Cabin supercharging welded.....	1	DE		
	557472-142	Clamp Assembly—Cabin heat and vent system.....	2	DE		
	257589	Gasket—Mass flow valve connect.....	2	DE		
7	556985-10	Tee Assembly—Cabin supercharging welded.....	4	DE		
8	32-54-001RW	Check Valve—Cabin supercharging (IA).....	4	DE		
9	556985-9	Elbow Assembly—Cabin supercharging.....	NP	DE		
10	557595	Lines Assembly—Cabin supercharging wing sta 281.50 to 439.5.....	76	DE		
11	257376	Ring—Cabin supercharging duct backing.....	19	DE		
12	257375	Gasket—Cabin supercharging duct 1.60 inside diameter.....	6	DE		
	AN742D23	Clamp—Loop type support.....	2	DE		
	AN742D26	Clamp—Loop type support.....	NP	DE		
	557216	Intake Installation—Cabin emergency ram air (For next assembly see page 32).....	1	DE		
13	28000-3	Actuator—Cabin ram air intake 115.400 cycle A.C. single phase (AIR).....	1	DE		
14	557216-20	Frame—Cabin emergency ram air actuator LH.....	1	DE		
15	557216-21	Frame—Cabin emergency ram air actuator RH.....	1	DE		
16	557273	Link Assembly—Ram air emergency intake mechanism cabin bent.....	2	DE		
17	557216-24	Duct Assembly—Cabin emergency ram air intake.....	1	DE		
18	8401	Duct Assembly—Cabin ram air intake (CME).....	1	DE		
19	257356	Ring—Ram air emergency intake cabin vent duct seal.....	1	DE		
20	557707	Valve Assembly—Emergency ram intake cabin heat and vent system check.....	1	DE		
21	557707-2	Valve Assembly—Heat and vent system check.....	1	DE		
22	457733	Ring Assembly—Emergency ram intake cabin heat and vent system valve.....	1	DE		
23	457732	Flap Assembly—Emergency ram intake cabin heat and vent system valve.....	1	DE		
24	457731	Gasket—Emergency ram intake cabin heat and vent system valve.....	1	DE		
25	257729	Spring—Emergency ram intake cabin heat and vent system valve.....	1	DE		
26	257730	Spacer—Emergency ram intake cabin heat and vent system valve.....	1	DE		
27	AN392-39	Pin—Flat head (1/2).....	1	DE		
	560191	Duct Installation—Anti-icing leading edge center wing station 125.5 waste air LH (For next assembly see page 32).....	NP	U		
	560191-1	Duct Installation—Anti-icing leading edge center wing station 125.5 waste air RH (For next assembly see page 32).....	NP	U		
28	S69568C	Duct Assembly—(CME).....	1	U		
29	S69569C	Duct Assembly—(CME).....	1	U		
30	S69570C	Duct Assembly—(CME).....	3	U		
31	S69571C	Duct Assembly—(CME).....	1	U		
32	S69572C	Duct Assembly—(CME).....	1	U		
33	S69573C	Duct Assembly—(CME).....	1	U		
34	460412	Transition Assembly—Inboard anti-icing waste air forward.....	1	U		
35	586819	Transition Assembly—Heating and ventilating inboard waste air outlet welded LH.....	1	U		
	586820	Transition Assembly—Heating and ventilating inboard waste air outlet welded RH.....	1	U		
	560192	Duct Installation—Anti-icing leading edge center wing station 400 waste air LH (For next assembly see page 32).....	NP	U		
	560192-1	Duct Installation—Anti-icing leading edge center wing station 400 waste air RH (For next assembly see page 32).....	NP	U		
36	S69569C	Duct Assembly—(CME).....	4	U		
37	S69570C	Duct Assembly—(CME).....	1	U		
38	S69574C	Duct Assembly—(CME).....	1	U		
39	S69572C	Duct Assembly—(CME).....	1	U		
40	S69576C	Duct Assembly—(CME).....	1	U		
41	S69336C	Duct Assembly—(CME).....	1	U		
42	460409	Transition Assembly—Outboard anti-icing waste air forward.....	1	U		
	461835	Duct Assembly—Outboard anti-icing waste air adapter.....	1	U		
	461836	Elbow Assembly—Outboard anti-icing waste air duct.....	1	U		

CENTER WING GROUP

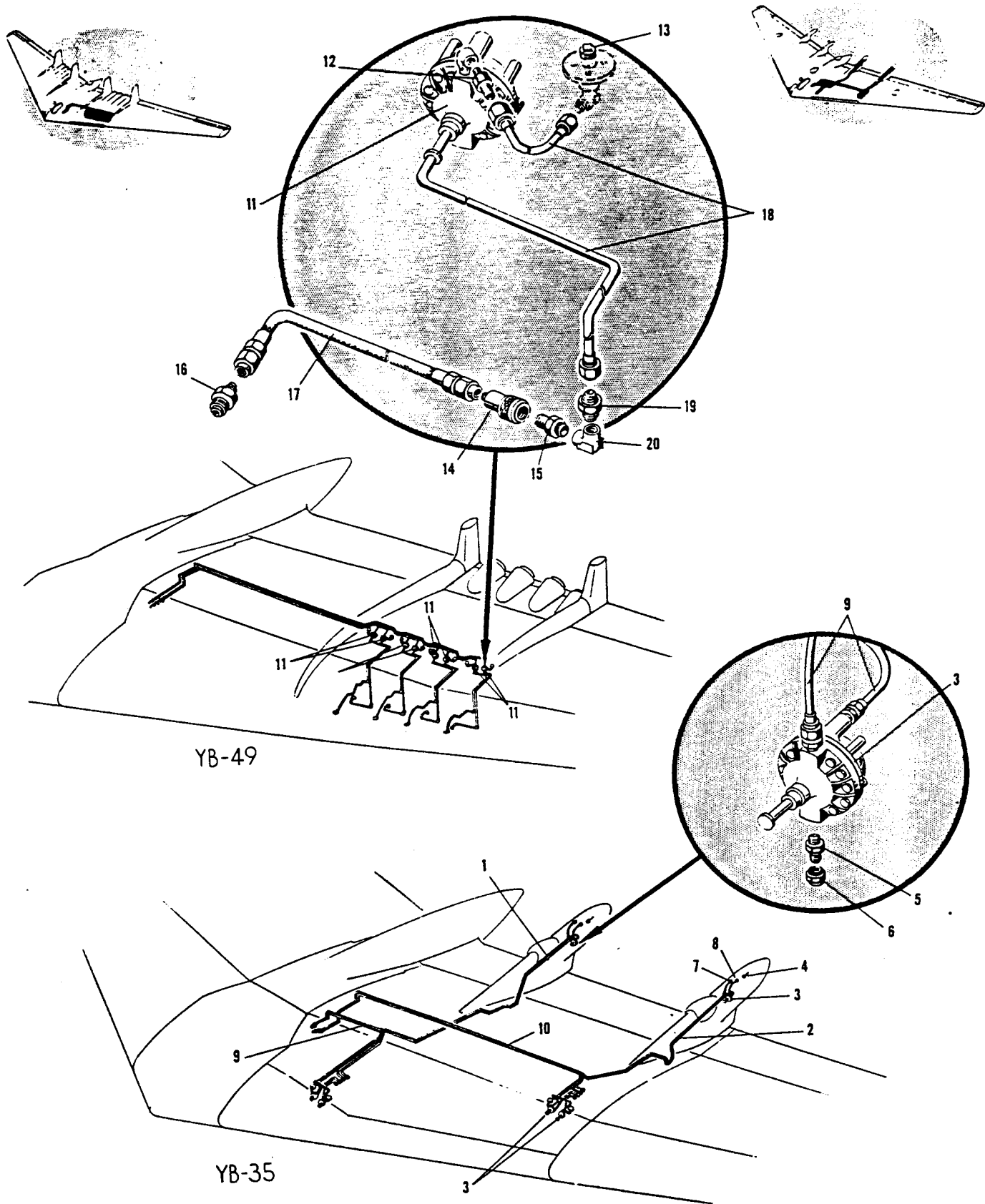


FIGURE 37—CENTER WING INSTRUMENTS

CENTER WING GROUP
CENTER WING INSTRUMENTS

FIGURE & INDEX NUMBER	PART NUMBER	NOMENCLATURE							UNITS PER ASSEM	USAGE CODE
		1	2	3	4	5	6	7		
		Center Wing Instruments								
37 - 1	551196	Instrument Installation—Center wing inboard LH (For next assembly see page 32)							NP	X
	551196-1	Instrument Installation—Center wing inboard RH (For next assembly see page 32)							NP	X
2	551197	Instrument Installation—Center wing outboard LH (For next assembly see page 32)							NP	X
	551197-1	Instrument Installation—Center wing outboard RH (For next assembly see page 32)							NP	X
3	AN5765-2	Transmitter Assembly—Fuel and oil pressure (GFP) (AER 61-2327)							3	X
	AN5525-1	Bulb—Electrical resistance type thermometer (GFP) (AER 61-8301)							1	X
4	AN5832-2	Valve—Bleeder and filler check							3	X
	2150H	Cap—(RST)							1	X
7	AN855A2A	Hose Assembly—Low pressure flared tube swivel							1	X
	AN855A4A	Hose Assembly—Low pressure flared tube swivel							1	X
8	AN855A2A	Line Assembly—Left hand center wing inboard instruments (used on 551196)							AR	X
	554610	Line Assembly—Right hand center wing outboard instruments (used on 551197-1)							AR	X
9	554611	Line Assembly—Left hand center wing outboard instruments (used on 551197)							AR	X
	554209	Line Assembly—Right hand center wing inboard instruments (used on 551196-1)							AR	X
10	554210	Line Assembly—Right hand center wing inboard instruments (used on 551196-1)							AR	X
		Attaching Parts								
	598-3	Clip—Cushion (AP)							26	X
	110	Nipple—Quick disconnect (WIG)							4	X
	AN816-4	Nipple—Flared tube and pipe thread							2	X
	AN816-2	Nipple—Flared tube and pipe thread (on RH only)							1	X
	AN924-4D	Nut—Flared tube universal							4	X
	AN822-2	Elbow—Flared tube and pipe thread 90°							1	X
	AN914-1D	Elbow—Internal and external pipe thread 90°							2	X
	AN822-4	Elbow—Flared tube and pipe thread 90°							3	X
	AN900-10	Gasket—Copper asbestos annular							1	X
	AN815-2D	Union—Flared tube							2	X
	AN815-4D	Union—Flared tube							4	X
	AN742D7C	Clip—Loop type support							23	X
	AN742D6C	Clip—Loop type support							24	X
	AN742A4C	Clip—Loop type support							2	X
	556881	Instrument Installation—Center wing LH (For next assembly see page 32)							NP	DE
11	556881-1	Instrument Installation—Center wing RH (For next assembly see page 32)							NP	DE
	AN5765-2	Transmitter Assembly—Fuel and oil pressure (GFE) (AER 61-2327)							8	DE
	258888	Flange—Fuel and oil pressure transmitter filler							8	DE
12	AN5832-2	Valve—Bleeder and filler check							8	DE
	895-100S	Plug—(PA)							8	DE
14	121C	Body—(WIG)							8	DE
	145	Nipple—(WIG)							4	DE
16	261249	Restrictor Assembly—Fuel pressure gage system							1	DE
	AN627-4-67	Hose Assembly—Detachable end swivel fitting medium high pressure							1	DE
	AN6274-4-70	Hose Assembly—Detachable end swivel fitting medium high pressure							1	DE
	AN6274-4-64	Hose Assembly—Detachable end swivel fitting medium high pressure							2	DE
	AN6274-4-116	Hose Assembly—Detachable end swivel fitting medium high pressure							1	DE
	AN6274-4-110	Hose Assembly—Detachable end swivel fitting medium high pressure							2	DE
	AN6274-4-124	Hose Assembly—Detachable end swivel fitting medium high pressure							1	DE
17	AN6274-4-126	Hose Assembly—Detachable end swivel fitting medium high pressure							1	DE
	AN6274-4-120	Hose Assembly—Detachable end swivel fitting medium high pressure							1	DE
	AN6274-4-128	Hose Assembly—Detachable end swivel fitting medium high pressure							2	DE
	AN6274-4-65	Hose Assembly—Detachable end swivel fitting medium high pressure							4	DE
	AN6270-4-38	Hose Assembly—Detachable swivel fitting low pressure							AR	DE
18	556968	Line Assembly—Left hand center wing instrument							AR	DE
	556969	Line Assembly—Right hand center wing instrument							AR	DE
		Attaching Parts								
	AN815-4D	Union—Flared tube							4	DE
	AN815-20	Union—Flared tube							8	DE
19	AN816-4D	Nipple—Flared tube and pipe thread							8	DE
	AN924-4D	Nut—Flared tube universal							4	DE
20	AN916-1D	Elbow—Internal and external pipe thread 90°							4	DE
	AN927-4D	Elbow—Internal screw thread 90°							73	DE
	AN742D6C	Clamp—Loop type support							53	DE
	AN742A7C	Clamp—Loop type support							53	DE

CENTER WING GROUP

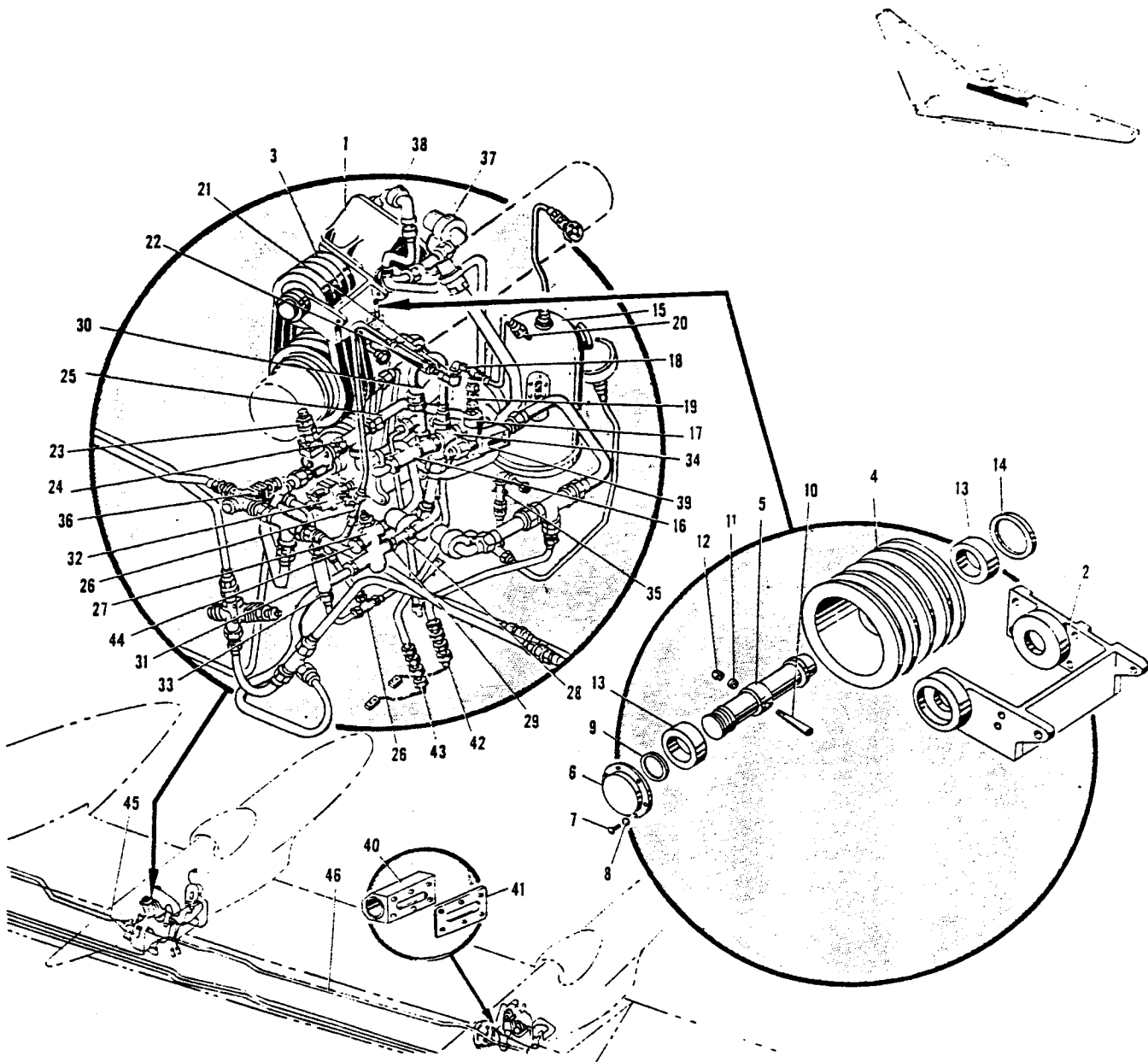


FIGURE 38—CENTER WING TRAILING EDGE HYDRAULICS

CENTER WING TRAILING EDGE HYDRAULICS

FIGURE & INDEX NUMBER	PART NUMBER	NOMENCLATURE	UNITS PER ASSEM	USAGE CODE	
38 - 1	551153	1 Hydraulic Installation—Center wing trailing edge LH (For next assembly see page 32)	NP	X	
	551153-1	2 Hydraulic Installation—Center wing trailing edge RH (For next assembly see page 32)	NP	X	
	552706	3 Drive Installation—Outboard propeller shaft hydraulic pump LH	NP	X	
	552706-1	4 Drive Installation—Outboard propeller shaft hydraulic pump RH	NP	X	
	552707	5 Drive Installation—Inboard propeller shaft hydraulic pump LH	NP	X	
	552707-1	6 Drive Installation—Inboard propeller shaft hydraulic pump RH	NP	X	
	AA20328	7 Pump—Propeller shaft hydraulic (VI) (See T.O. AN03-30CH)	2	X	
	AN5-13A	8 Bolt—Aircraft (5/16-24)	8	X	
	AN365-524	9 Nut—Self locking	8	X	
	152711	10 Bolt—Pump drive tension adjusting eye	2	X	
		11			
		12			
		13			
		14			

CENTER WING GROUP
CENTER WING TRAILING EDGE HYDRAULICS

FIGURE & INDEX NUMBER	PART NUMBER	1	2	3	4	5	6	7	NOMENCLATURE	UNITS PER ASSEM	USAGE CODE
	AN25-12								Bolt—Clevis 5 16-24	2	X
	AN316-5R								Nut—Aircraft check	4	X
	AN320-5								Nut—Aircraft shear	2	X
38 - 2	551828								Bracket Assembly—Hydraulic pump drive mounting (used on LH and RH)	2	X
	551828-1								Bracket Assembly—Hydraulic pump drive mounting (used on LH and RH)	2	X
	AN24-21								Bolt—Clevis (1 4-28)	2	X
	AN960D416								Washer—Plain	4	X
	AN320-4								Nut—Aircraft shear	2	X
3	452907								Pulley Assembly—Hydraulic pump drive shaft and	2	X
4	451837								Pulley—Hydraulic pump drive	1	X
5	251831								Shaft—Hydraulic pump pulley	1	X
6	251832								Cover—Bearing housing	2	X
7	AN520-10R6								Screw—Round head machine fine thread	6	X
8	AN935-10L								Washer—Medium spring lock	6	X
9	NAS51-75								Ring—External retainer	2	X
10	AN386-2-11								Pin—Threaded taper	2	X
11	AN975-3								Washer—Taper pin	2	X
12	AN320-3								Nut—Aircraft shear	2	X
13	204SFF								Bearing—(MRC)	4	X
14	NAS50-187								Ring—Internal retainer	2	X
	553738								Hydraulic Installation—Inboard shaft housing LH	NP	X
	553738-1								Hydraulic Installation—Inboard shaft housing RH	NP	X
	553737								Hydraulic Installation—Outboard shaft housing LH	NP	X
	553737-1								Hydraulic Installation—Outboard shaft housing RH	NP	X
15	551998								Reservoir Assembly—Outboard hydraulic pressurized LH (For detail breakdown see page 81)	1	X
	551998-1								Reservoir Assembly—Outboard hydraulic pressurized RH (For detail breakdown see page 81)	1	X
16	404110								Valve Assembly—5 8 tube check (PDI)	4	X
17	AN6240-1								Filter—Hydraulic replaceable element vent	2	X
18	255314								Aspirator—Hydraulic reservoir pressurizing tee	2	X
19	7-3143-1								Valve—Check (PA)	2	X
20	256296								Fitting—Hydraulic reservoir aspirator port	2	X
21	755-4-2-6								Clip—(AP)	*5	X
22	29513								Purrolator Assembly—Hydraulic (PUP) (See T.O. AN03-30 CM-4)	2	X
23	40R698								Valve Assembly—Piloted piston (GCO)	2	X
24	AN926-12D								Tee—Internal screw thread (used on inboard only)	*5	X
25	AN926-12								Tee—Internal screw thread	2	X
26	AN824-4D								Tee—Flared tube pipe	2	X
27	E8051								Valve—Relief 21.50 cracking pressure (VI) (See T.O. AN03-30CH)	2	X
28	404112								Valve Assembly—Check (PDI)	2	X
29	AN6227-14								Packing—"O" ring hydraulic	10	X
	AN6227-9								Packing—"O" ring hydraulic	6	X
30	AN6207-4								Valve—Hydraulic check 1500 (PSI)	2	X
31	4860								Fuse Assembly—Gage line (WAH)	2	X
32	405050								Switch Assembly—Hydraulic pressure warning (PDI)	2	X
33	AN6227-7								Packing—"O" ring hydraulic	10	X
34	AN925-4D								Cross—Internal screw thread (used on outboard only)	1	X
35	AC765-11								Cock—(Used on inboard only)	1	X
36	40R629								Valve Assembly—(GCO)	4	X
37	SK2219								Joint—Flexible (BCO) (2 used on outboard)	5	X
38	SK2220								Joint—Flexible (BCO)	4	X
	AN928-16D								Elbow—Internal screw thread 45° (used on inboard only)	1	X
	AN815-16D								Union—Flared tube (5 used on inboard)	7	X
	AN815-10								Union—Flared tube (3 used on inboard)	5	X
	AN924-16D								Nut—Flared tube universal	2	X
	AN6227-13								Packing—"O" ring hydraulic	16	X
	AN902-16								Gasket—Flared tube universal fitting	13	X
39	256384								Fitting—Hydraulic reservoir suction outlet (used on inboard only)	1	X
40	256622								Fitting—Outboard hydraulic reservoir suction outlet (used on outboard only)	1	X
41	152108								Gasket—Hydraulic pressurized reservoir fuse	2	X
42	255456-8								Cap Assembly—Ground test connection duct	2	X
43	255456-10								Cap Assembly—Ground test connection duct	2	X
44	AN814-8D								Plug and Bleeder—Screw thread	2	X
45	555253								Lines Assembly—Left hand inboard shaft housing hydraulic (used on 553738)	AR	X
	555265								Lines Assembly—Right hand inboard shaft housing hydraulic (used on 553738-1)	AR	X
	555745								Lines Assembly—Left hand outboard shaft housing (used on 553737)	AR	X
46	555744								Lines Assembly—Right hand outboard shaft housing (used on 553737-1)	AR	X
	AN6220-8								Coupling Half—Hydraulic self-sealing bulkhead	2	X
	155S2-8								Coupling—(AQ)	2	X
	255303								Coupling—one inch swivel joint (used on 553738)	1	X
	AN924-20D								Nut—Flared tube universal	1	X
	AN902-20								Gasket—Flared tube universal fitting	4	X
	5758-8								Clip—(AP)	2	X
	784-20								Clip—(AP)	1	X
	755-31-4-10								Clip—(AP)	1	X
	1755-25-2-8								Clip—(AP)	1	X
	553287								Lines Installation—Wing sta 44 to 157.5 upper trailing section hydraulic LH	NP	X
	553287-1								Lines Installation—Wing sta 44 to 157.5 upper trailing section hydraulic RH	NP	X
	553048								Lines Installation—Wing sta 157.5 to 281.5 upper trailing section hydraulic LH	NP	X
	553048-1								Lines Installation—Wing sta 157.5 to 281.5 upper trailing section hydraulic RH	NP	X
	553567								Lines Installation—Wing sta 281.3 to 400 upper trailing section hydraulic LH	NP	X
	553567-1								Lines Installation—Wing sta 281.5 to 400 upper trailing section hydraulic RH	NP	X
	552593								Lines Installation—Wing sta 44 to 157.5 lower trailing section hydraulics LH	NP	X
	552593-1								Lines Installation—Wing sta 44 to 157.5 lower trailing section hydraulics RH	NP	X
	552476								Lines Installation—Wing sta 157.5 to 347 lower trailing section hydraulics LH	NP	X
	552476-1								Lines Installation—Wing sta 157.5 to 347 lower trailing section hydraulics RH	NP	X

*NOTE—3 required on outboard; 2 required on inboard.

CENTER WING GROUP

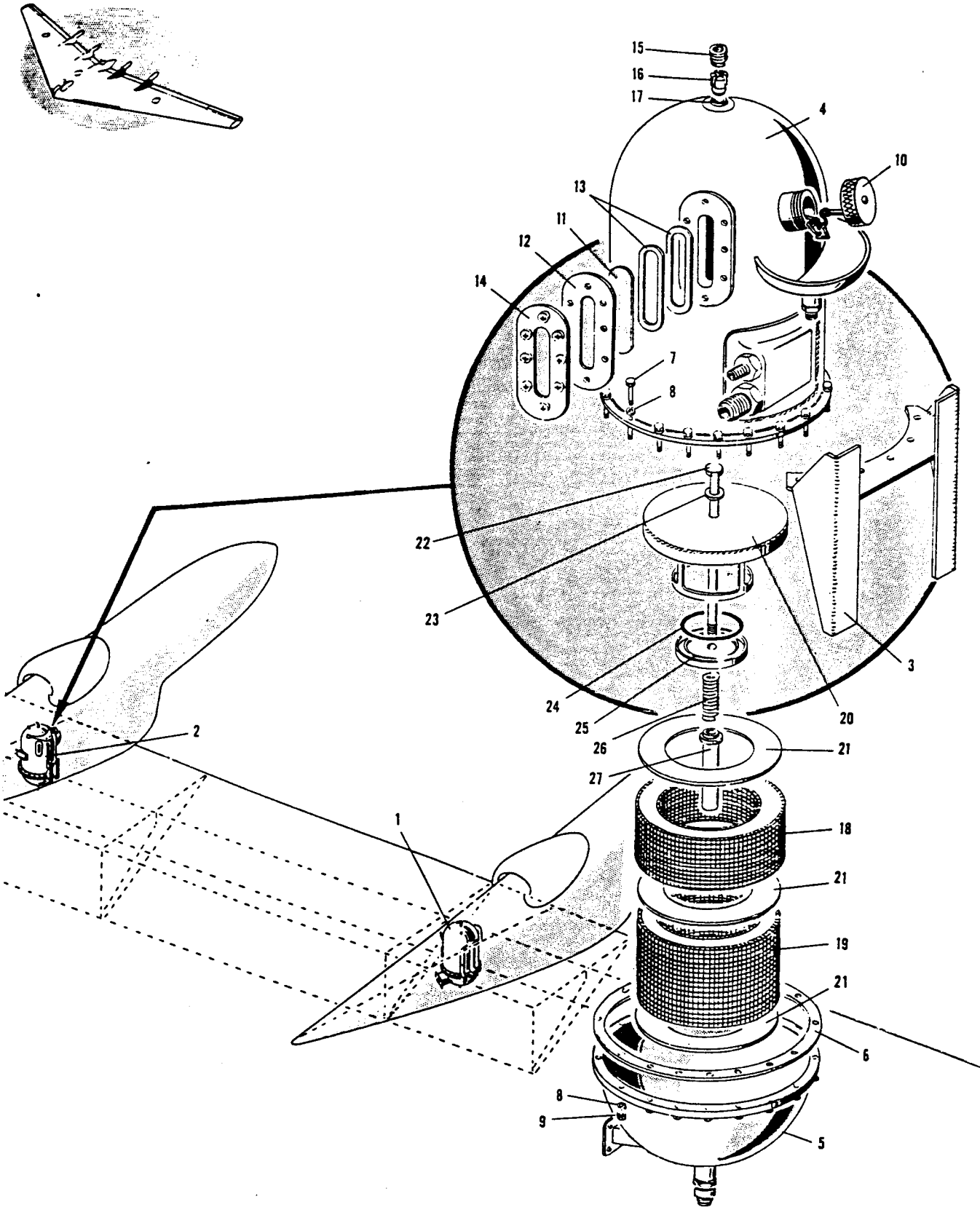


FIGURE 39—HYDRAULIC PRESSURIZED RESERVOIRS

RESTRICTED

CENTER WING GROUP
HYDRAULIC PRESSURIZED RESERVOIRS

FIGURE & INDEX NUMBER	PART NUMBER	NOMENCLATURE							UNITS PER ASSEM	USAGE CODE
		1	2	3	4	5	6	7		
39 - 1	551998	NP	X
	551998-1	NP	X
	553288	NP	X
	533288-1	NP	X
	553288-2	1	X
	553288-3	1	X
	553566	1	X
	553566-1	1	X
	Attaching Parts									
		AN3-11A	6
	AN960D10	16	X
	AN365-1032	10	X
4	553295	1	X
	553295-1	1	X
	552035	1	X
	552035-1	1	X
	552039	1	X
	452047	1	X
Attaching Parts										
7	AN3-10A	20	X
8	AN960D10	40	X
9	AN365-1032	20	X
10	252097	1	X
11	252044	1	X
12	252046	2	X
13	253299	1	X
14	252045	8	X
	NAS221-12	8	X
	AN365-1032	1	X
	AN815-4D	1	X
	AN602-4	1	X
	AN919-20D	1	X
	AN919-13D	2	X
	AN902-10	1	X
	AN833-6D	1	X
	AN815-4D	1	X
	AN924-6D	1	X
	AN893-3D	1	X
	AN902-4	1	X
	AN902-8	1	X
15	151985	1	X
16	152870	1	X
17	AN6227-7	1	X
18	AN6236-2	1	X
19	AN6236-1	1	X
20	452040	3	X
21	AN6238-1	1	X
22	AN4-73A	1	X
23	AN960D416	1	X
24	AN6230-7	1	X
25	152041	1	X
26	152203	1	X
27	152043	1	X

RESTRICTED
AN 01-15EAA-4
CENTER WING GROUP

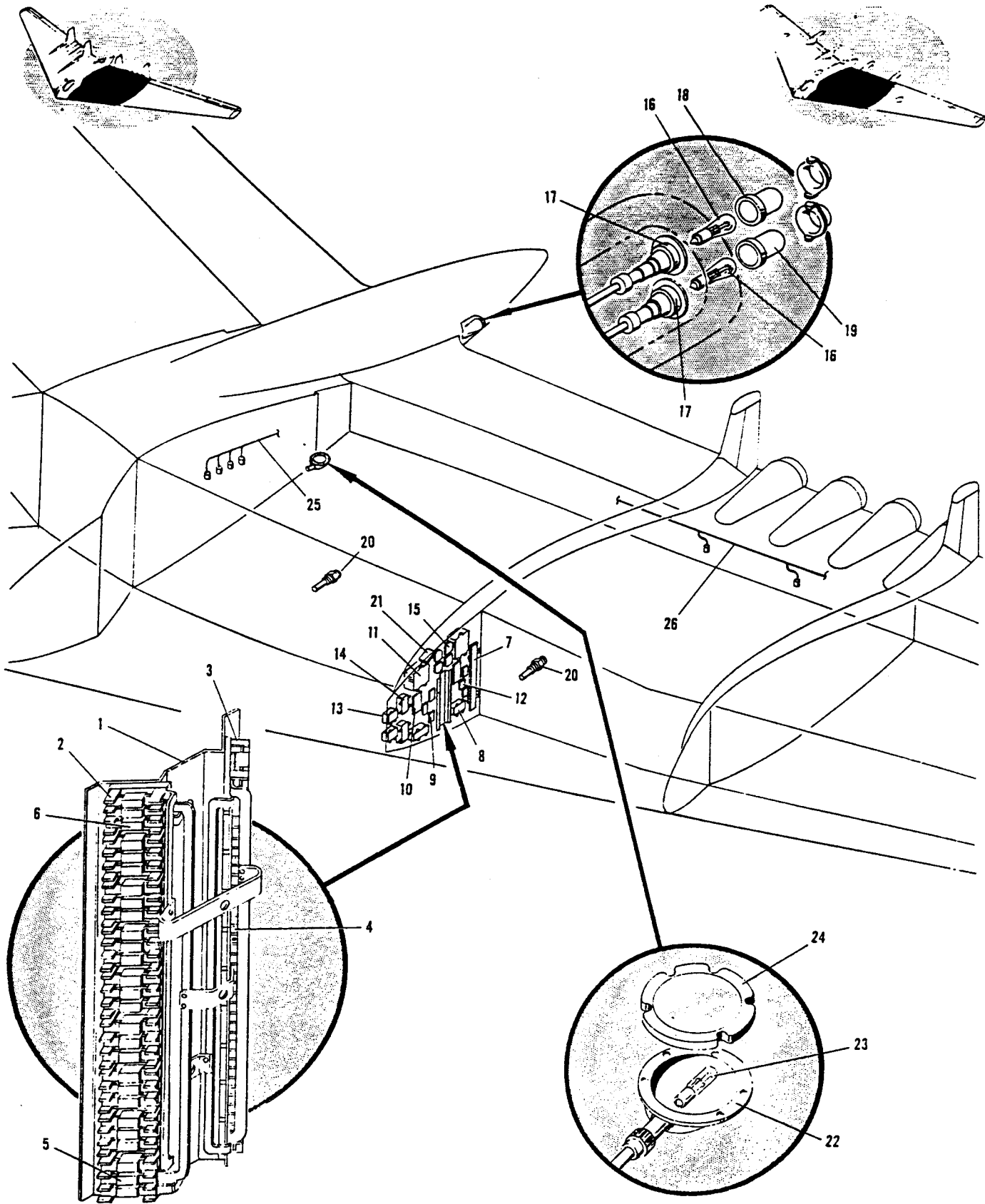


FIGURE 40—CENTER WING ELECTRICAL

RESTRICTED

CENTER WING GROUP
CENTER WING ELECTRICAL

FIGURE & INDEX NUMBER	PART NUMBER	NOMENCLATURE	UNITS PER ASSEM	USAGE CODE
		1 2 3 4 5 6 7		
	584545	Electrical Installation—Center wing LH (For next assembly see page 32)	NP	ALL
	584545-1	Electrical Installation—Center wing RH (For next assembly see page 32)	NP	ALL
	557352	Panel Installation—Alternator equipment wing sta 281.50 aft leading edge LH	NP	DE
	557352-1	Panel Installation—Alternator equipment wing sta 281.50 aft leading edge RH	NP	DE
40 - 1	552955	Panel Assembly—Outboard engine section A.C. sectionalizing complete LH	1	DE
	552955-1	Panel Assembly—Outboard engine section A.C. sectionalizing complete RH	1	DE
2	F3H1	Base—Limiter (BE)	5	DE
3	F3H2	Base—Limiter (BE)	10	DE
4	F1L10	Limiter—(BE)	12	DE
5	F1L50	Limiter—(BE)	27	DE
6	F1L60	Limiter—(BE)	6	DE
7	552947	Panel Assembly—Bomb bay No. 3 A.C. sectionalizing complete LH	1	DE
	552947-1	Panel Assembly—Bomb bay No. 6 A.C. sectionalizing	1	DE
	F3H2	Base—Limiter (BE)	4	DE
	F1L50	Limiter—(BE)	12	DE
8	LY11024	Relay—Differential current (GFP)	2	DE
9	9JY16AA2	Transformer—(GFP)	4	DE
10	AVR10	Breaker—Circuit (GFP)	2	DE
11	T916024461	Control Unit—Governor (GFP)	2	DE
12	No Number	Transformer—Spec. 32498 (GFP)	2	DE
13	TSEPE6E38	Relay—(GFP)	2	DE
14	TSEPE6E42	Relay—(GFP)	2	DE
15	9565H1	Relay—(CUT)	4	DE
	558572	Light Installation—Bomb release light and tail position LH	NP	ALL
	558572-1	Light Installation—Bomb release light and tail position RH	NP	ALL
16	AN3124-307	Lamp—S-8 bulb (GFP)	2	ALL
17	47A6114-1	Light—(GFP)	1	ALL
18	47A6115-1	Lens—Yellow (GFP)	1	ALL
19	47A6115-2	Lens—White (GFP)	1	ALL
20	CR2992A103A2	Element—Thermosensitive (GE)	2	ALL
21	33895	Relay—Model 117-4 (EDI)	2	DE
22	AN3030-9	Light Assembly—Circular formation (GFP)	1	ALL
23	AN3121-313	Lamp—T3-1 4 bulb contact miniature bayonet base	1	ALL
24	AN3040-1	Cover—Circular formation light (GFP)	1	ALL
25	L542-66B	Lead Assembly—Thermocouple (Bearing) (LEN)	13	DE
	L542-61B	Lead Assembly—Thermocouple (Bearing) (LEN)	13	DE
	L542-56B	Lead Assembly—Thermocouple (Bearing) (LEN)	13	DE
	L542-53B	Lead Assembly—Thermocouple (Bearing) (LEN)	13	DE
	L542-53	Lead Assembly—Thermocouple (Bearing) (LEN)	13	DE
	L542-56	Lead Assembly—Thermocouple (Bearing) (LEN)	13	DE
	L542-61	Lead Assembly—Thermocouple (Bearing) (LEN)	13	DE
	L542-66	Lead Assembly—Thermocouple (Bearing) (LEN)	13	DE
	L546-54B	Lead Assembly—Thermocouple (Tailpipe) (LEN)	4	DE
	L546-50B	Lead Assembly—Thermocouple (Tailpipe) (LEN)	4	DE
	L546-46B	Lead Assembly—Thermocouple (Tailpipe) (LEN)	4	DE
	L546-42B	Lead Assembly—Thermocouple (Tailpipe) (LEN)	4	DE
26	L546-42	Lead Assembly—Thermocouple (Tailpipe) (LEN)	6	DE
	L546-46	Lead Assembly—Thermocouple (Tailpipe) (LEN)	6	DE
	L546-50	Lead Assembly—Thermocouple (Tailpipe) (LEN)	6	DE
	L546-54	Lead Assembly—Thermocouple (Tailpipe) (LEN)	6	DE

CENTER WING GROUP

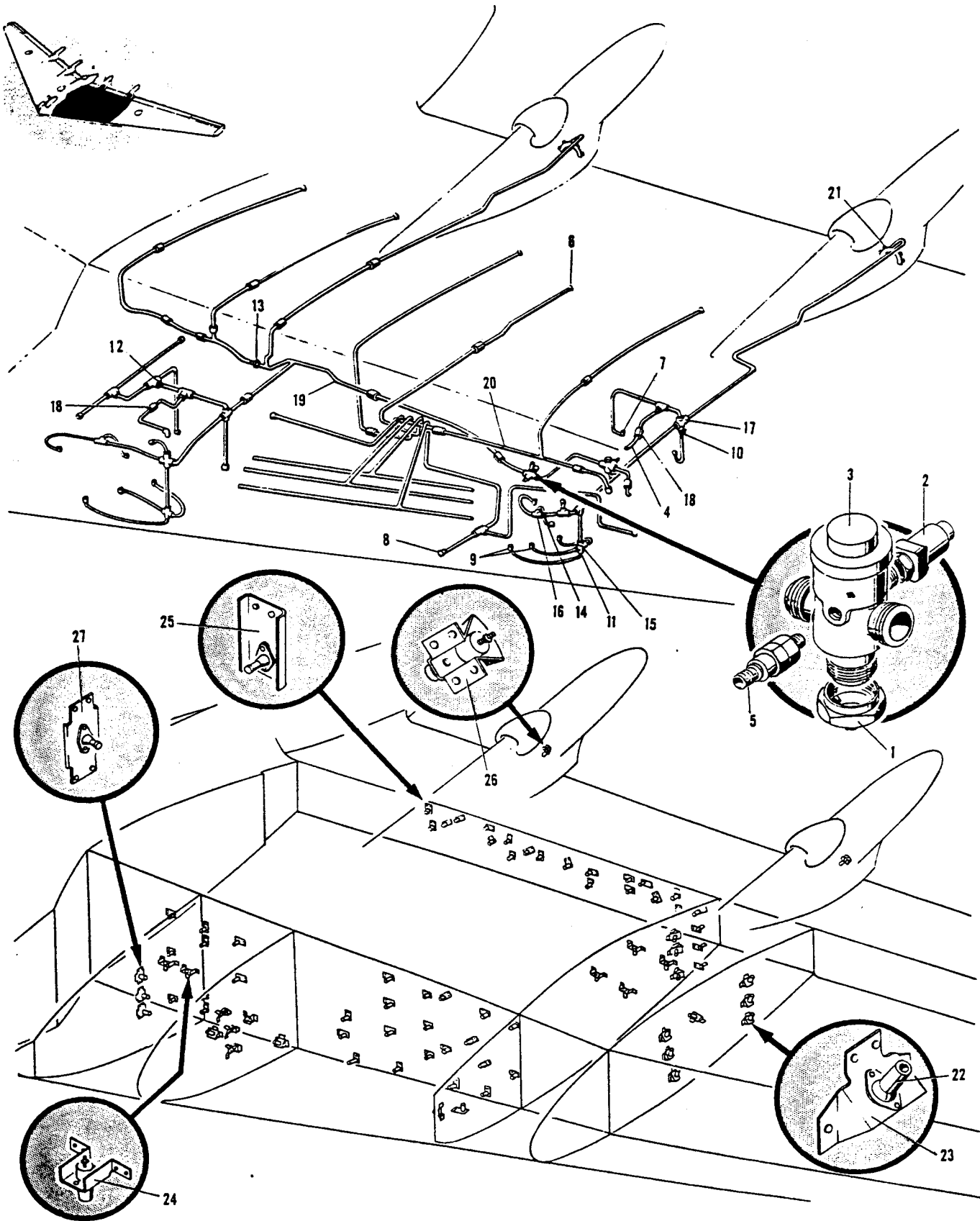


FIGURE 41—CENTER WING FIRE EXTINGUISHER AND DETECTOR SYSTEMS

CENTER WING GROUP
CENTER WING FIRE EXTINGUISHER AND DETECTOR SYSTEMS

FIGURE & INDEX NUMBER	PART NUMBER	NOMENCLATURE							UNITS PER ASSEM	USAGE CODE
		1	2	3	4	5	6	7		
		Center Wing Fire Extinguisher and Detector Systems								
	590085	System Installation—Complete center wing fire extinguisher LH (For next assembly see page 32)							NP	X
	590086	System Installation—Complete center wing fire extinguisher RH (For next assembly see page 32)							NP	X
41 - 1	2CD4543	Cap—(ALF) (See T.O. AN03-45C-13)							1	X
2	2CD5938	Valve—Solenoid (ALF) (See T.O. AN03-45C-13)							2	X
3	2CD5934	Valve—Stop (AOF) (See T.O. AN03-45C-13)							2	X
4	2CD5861-15	Hose—Flexible (CME)							2	X
5	2CD5895	Valve—Relief (ALF) (See T.O. AN03-45C-13)							1	X
6	259289	Nozzle—Fire extinguisher discharge							5	X
7	258864	Nozzle—Outboard engine tail pipe							1	X
8	290145	Nozzle—Oil cooler fire extinguisher system							2	X
9	290087	Nozzle—Fire extinguisher system inboard and outboard engines							12	X
10	25924	Reducer—Fire extinguisher system 1.00 to 3/8 tube external thread							3	X
11	259019	Reducer—Fire extinguisher system 1.00 to .375 tube external thread magnesium							12	X
12	259281	Reducer—Fire extinguisher system 1.00 to 1.2 tube							1	X
13	259177	Reducer—Fire extinguisher system 2.00 to 1.50 tube external thread							1	X
14	457643-2	Union—Fire extinguisher system							9	X
15	457643-50	Cross—Fire extinguisher system							3	X
16	457643-52	Tee—Fire extinguisher system							3	X
17	AN925-16	Cross—Internal screw thread							1	X
18	160012	Valve—Methyl bromide fire extinguisher check							2	X
19	590210	Piping—Fire extinguisher system center wing							AR	X
20	559850	Line Assembly—Fire extinguisher welded LH							AR	CF
	559850-1	Line Assembly—Fire extinguisher welded RH							AR	CF
	560939	Line Assembly—Fire extinguisher welded							AR	G-R
	290171	Tube Assembly—Outer wing sta 400 fire extinguisher perforated							1	CF
	460893	Line Assembly—Outboard engine perforated fire extinguisher (wing sta 400)							1	G-R
	290169	Tube Assembly—Center wing sta 338 outboard engine fire extinguisher perforated							1	CF
	460892	Line Assembly—Outboard engine perforated fire extinguisher wing sta 338							1	G-R
	258865	Tube Assembly—Outboard engine fire extinguisher center wing sta 400 to carburetor tee perforated							1	CF
	460894	Line Assembly—Outboard engine perforated fire extinguisher (upper)							1	G-R
	QS100M48	Clamp—(G. K. Garrett Co.)							8	G-R
	459250-2	Tube Assembly—Bomb bay #1 and #8 fire extinguisher perforated							1	X
	459250-4	Tube Assembly—Bomb bay #3 and #6 fire extinguisher perforated							1	X
	459250-6	Tube Assembly—Bomb bay #4 and #5 fire extinguisher perforated							1	X
	AN742-26C	Clamp—Loop type support							4	X
	770-12C	Clamp—Tube (AP)							2	X
	770-16C	Clamp—Tube (AP)							6	X
	766-6C	Clamp—Tube (AP)							2	X
21	190113	Clip—Fire extinguisher system sta 172 outboard shaft housing LH							4	X
	190114	Clip—Fire extinguisher system sta 172 outboard shaft housing RH							4	X
	AN6227-9	Packing—"O" ring hydraulic							3	X
	AN6227-12	Packing—"O" ring hydraulic							6	X
	AN6227-22	Packing—"O" ring hydraulic							43	X
	AN960D916	Washer—Plain							7	X
	AN960D4016	Washer—Plain							3	X
	AN960D716	Washer—Plain							2	X
	AN960-2116	Washer—Plain							4	X
	560897	System Installation—Edison unit type fire detector LH (For next assembly see page 32)							NP	X
	560897-1	System Installation—Edison unit type fire detector RH (For next assembly see page 32)							NP	X
22	35155-2	Detector—(EDI)							80	X
23	460898	Support—Edison unit type fire detector forward							14	X
24	460899	Support—Edison unit type fire detector upper							8	X
25	460900	Support—Edison unit type fire detector aft							53	X
26	461271	Support—Edison unit type fire detector oil cooler aft							2	X
27	461272	Support—Edison unit type fire detector wing station 125.5							3	X
	AN515-6R5	Screw—Round head machine (coarse thread)							160	X
	AN960D6	Washer—Plain							160	X
	AN365-632	Nut—Self locking							160	X

CENTER WING GROUP

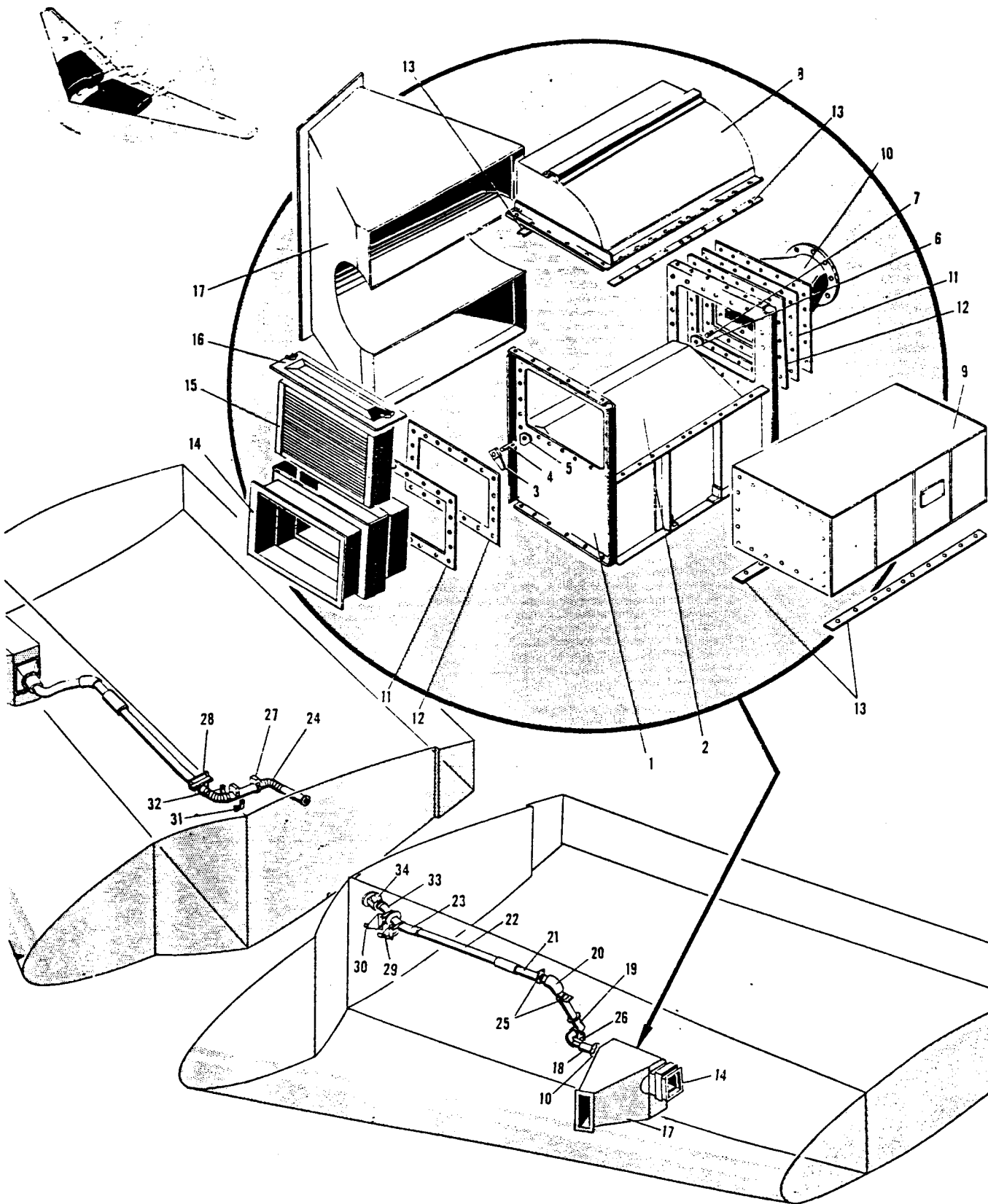


FIGURE 42—CABIN HEATER TO CREW NACELLE HEATING AND VENTILATING

CENTER WING GROUP
CABIN HEATER TO CREW NACELLE HEATING AND VENTILATING

FIGURE & INDEX NUMBER	PART NUMBER	NOMENCLATURE	UNITS PER ASSEM	USAGE CODE		
					1	2
	586693	Heating and Ventilating Installation—Cabin heater to crew nacelle LH (For next assembly see page 32)	NP	X		
	586694	Heating and Ventilating Installation—Cabin heater to crew nacelle RH (For next assembly see page 32)	NP	X		
	586635	Heater Installation—Heating and ventilating cabin LH	NP	X		
	586636	Heater Installation—Heating and ventilating cabin RH	1	X		
42 - 1	586631	Base Assembly—Heating and ventilating cabin heater valve LH	1	X		
	586632	Base Assembly—Heating and ventilating cabin heater valve RH	1	X		
2	586627	Base Assembly—Heating and ventilating cabin heater	1	X		
3	586628	Valve Assembly—Heating and ventilating cabin heater	1	X		
4	186633	Lever—Heating and ventilating cabin heater valve	1	X		
5	186619	End—Heating and ventilating cabin heater valve outboard shaft	1	X		
6	286617	Housing Assembly—Heating and ventilating cabin heat control valve bearing LH	1	X		
	286618	Housing Assembly—Heating and ventilating cabin heat control valve bearing RH	1	X		
7	186620	End—Heating and ventilating cabin heater valve inboard shaft	4	X		
	AN525-10-16	Screw—Washer head	4	X		
	AN525-10-10	Screw—Washer head	8	X		
	AN960-10	Washer—Plain	8	X		
	S1032	Fastener—(DL)	1	X		
8	486621	Hood Assembly—Heating and ventilating cabin heater welded	1	X		
9	19104	Heater Assembly—Cabin (AIR)	1	X		
10	586724	Transition Assembly—Heating and ventilating cabin heater	2	X		
11	186653	Gasket—Heating and ventilating cabin heater filter holder and transition	2	X		
12	186624	Gasket—Heating and ventilating cabin heater ends	4	X		
13	186623	Gasket—Heating and ventilating cabin heater upper and lower	1	X		
14	586634	Holder—Assembly Heating and ventilating filter	1	X		
	186639	Pad—Heating and ventilating cabin air filter lower	2	X		
	186640	Pad—Heating and ventilating cabin air filter end	1	X		
15	56B788	Filter—Cabin heater (AFS)	1	X		
16	486551	Cover Assembly—Heating and ventilating filter holder				
	Attaching Parts					
	AN525-10-20	Screw—Washer	2	X		
	AN960A10	Washer—Plain	4	X		
	AN350-1032	Nut—Wing	2	X		
17	586989	Duct Assembly—Heating and ventilating rib to cabin heater connection LH	1	X		
	586990	Duct Assembly—Heating and ventilating rib to cabin heater connection RH	1	X		
18	S64797C	Hose—(CME)	1	X		
19	559429	Duct Assembly—Wing station 215 cabin heating and ventilating LH	1	X		
	559429-1	Duct Assembly—Wing station 215 cabin heating and ventilating RH	1	X		
20	S64807D	Hose—(CME)	1	X		
21	S64809D	Hose—(CME)	1	X		
22	456848	Duct Assembly—Wing station 99 to 125.5 cabin heat	1	X		
23	S64811	Hose—(CME) (To be used on LH)	1	X		
24	S64813D	Hose—(CME) (To be used on RH)	3	X		
25	486996-10	Hanger—Station 207 cabin heat duct	1	X		
26	486996-20	Hanger—Station 207 cabin heat duct	2	X		
27	486894	Hanger Assembly—Heating and ventilating cabin heat duct (RH only)	5	X		
	586693-3	Gasket—Cabin heater to crew nacelle	1	X		
	286997	Clip—Heating and ventilating station 210 cabin heat duct LH	1	X		
	286998	Clip—Heating and ventilating station 210 cabin heat duct RH	7	X		
	586693-4	Clamp—Cabin heater to crew nacelle	6	X		
	586693-5	Clamp—Cabin heater to crew nacelle	13	X		
	586693-6	Clamp—Cabin heater to crew nacelle	1	X		
	586693-7	Clamp—Cabin heater to crew nacelle	1	X		
	586693-8	Clamp—Cabin heater to crew nacelle	1	X		
28	186735	Clip—Heating and ventilating station 93 pipe LH	1	X		
	186736	Clip—Heating and ventilating station 93 pipe RH	1	X		
	486748	Clip—Heating and ventilating pipe station 81.45	1	X		
30	486733	Clip—Heating and ventilating pipe station 59.05	2	X		
31	186958	Strap—Heating and ventilating cabin heat duct hanger lower	2	X		
32	186959	Strap—Heating and ventilating cabin heat duct hanger upper	1	X		
	287090	Clip—Heating and ventilating station 171 cabin heat duct	2	X		
	286697	Clip—Heating and ventilating pipe	3	X		
	456529	Gasket—Crew nacelle center section heating and ventilating valve	1	X		
33	586709	Connection Assembly—Heating and ventilating station 44 ground heat	1	X		
34	90208	Valve—Heating and ventilating (AIR) (LH only)				

RESTRICTED
AN 01-15EAA-4
CENTER WING GROUP

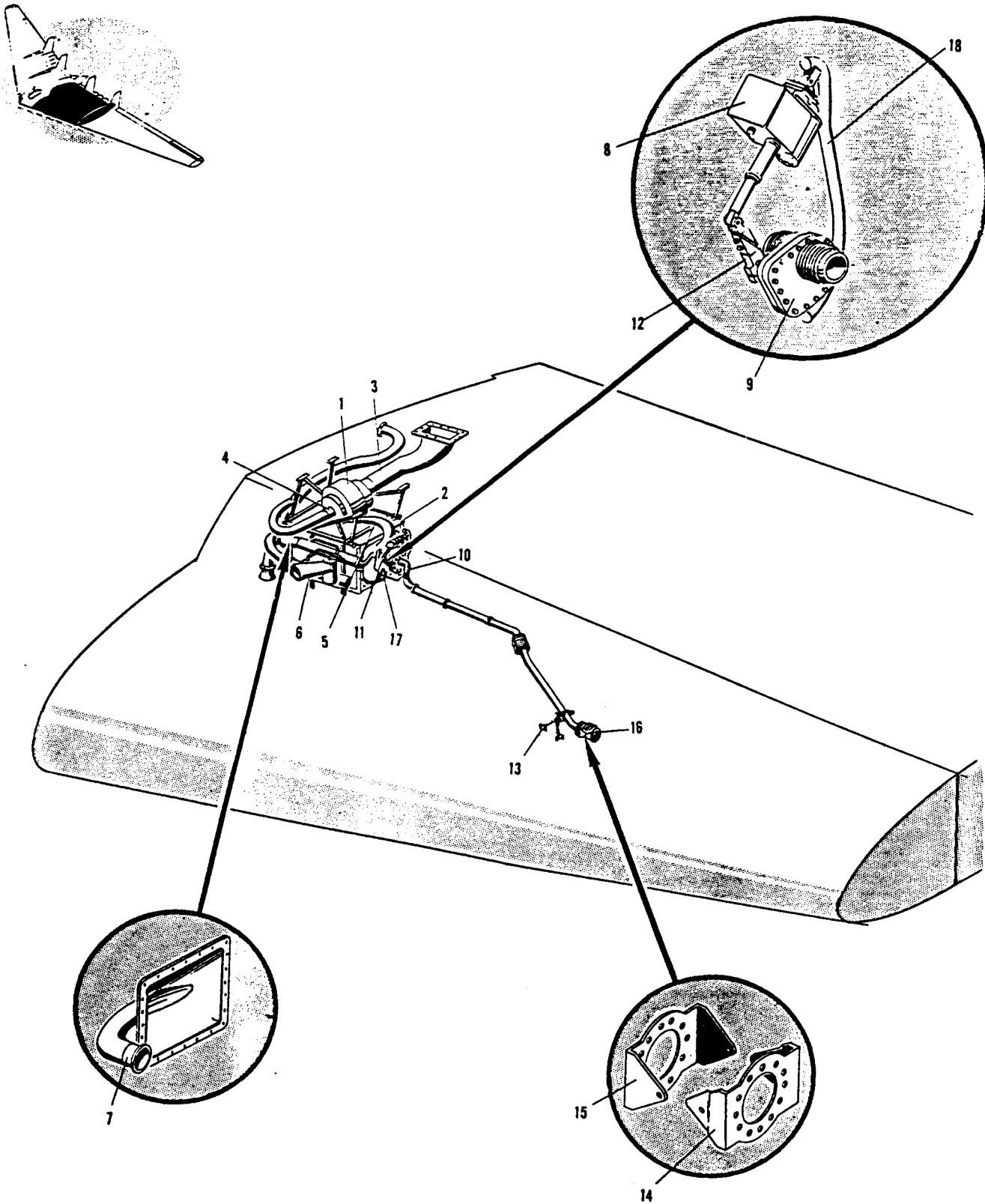


FIGURE 43—YB-49 HEATING AND VENTILATING

RESTRICTED

CENTER WING GROUP
YB-49 HEATING AND VENTILATING

FIGURE & INDEX NUMBER	PART NUMBER	1	2	3	4	5	6	7	NOMENCLATURE	UNITS PER ASSEM	USAGE CODE
		YB-49 Heating And Ventilating									
	557472								Turbine and Aftercooler Installation—Cabin heating and ventilating system LH (For next assembly see page J2)	NP	DE
	557472-1								Turbine and Aftercooler Installation—Cabin heating and ventilating system RH (For next assembly see page J2)	NP	DE
43 - 1	19957								Turbine and Aftercooler Assembly LH—(AIR)	1	DE
	19643								Turbine and Aftercooler Assembly RH—(AIR)	1	DE
2	557472-52								Support Assembly—Turbine LH	1	DE
	557472-53								Support Assembly—Turbine RH	1	DE
3	JJ398								Connector—Flexible (USR)	1	DE
4	AN878-48-13								Hose—Oil and coolant synthetic	1	DE
	3-625S4625S								Clamp—(MAR)	2	DE
	3-625S3500S								Clamp—(MAR)	2	DE
5	557472-86								Tie Rod Assembly—Turbine and aftercooler	1	DE
6	51475								Valve Installation—Flow and mass flow control (ACEC)	1	DE
	557472-6								Duct Assembly—Turbine and aftercooler LH	1	DE
	557472-7								Duct Assembly—Turbine and aftercooler RH	1	DE
	557472-100								Tube—Turbine and aftercooler LH	1	DE
	557472-101								Tube—Turbine and aftercooler RH	1	DE
	AN 878-4-8								Hose—Oil and coolant synthetic	1	DE
	557472-56								Nipple Assembly—Turbine and aftercooler	1	DE
	557472-12								Gasket—Turbine aftercooler	1	DE
	AN742D6C								Clamp—Loop type support	8	DE
	AN748-22								Clamp—Hose	3	DE
	557472-22								Gasket—Turbine and aftercooler	2	DE
	257589								Gasket—Mass flow valve connect	5	DE
	557472-142								Clamp Assembly—Turbine and aftercooler	5	DE
	457539								Adapter Assembly—Flow control valve cabin heating and ventilating	1	DE
	557472-144								Duct Assembly—Turbine and aftercooler cabin heating and ventilating	1	DE
	557472-8								Duct Assembly—Turbine and aftercooler	1	DE
7	557472-10								Header Assembly—Turbine and aftercooler entrance LH	1	DE
	557472-11								Header Assembly—Turbine and aftercooler entrance RH	1	DE
	557472-16								Gasket—Turbine and aftercooler	1	DE
	557696								Heating and Ventilating Installation—Wing sta 75 to wing sta 215.5 (For next assembly see page J2)	NP	DE
	557696-1								Heating and Ventilating Installation—Wing sta 75 to wing sta 215.5 (For next assembly see page J2)	NP	DE
8	28000-3								Actuator—Heating and ventilating 115/400 cycle, AC single phase (AIR)	1	DE
9	91234-5								Valve Assembly—Heating and ventilating (AIR)	1	DE
	557696-20								Tube Assembly—Heating and ventilating LH	1	DE
	557696-21								Tube Assembly—Heating and ventilating RH	1	DE
10	557696-8								Goose Neck Assembly—Heating and ventilating LH	1	DE
	557696-100								Goose Neck Assembly—Heating and ventilating RH	1	DE
11	557696-22								Lever Assembly—Heating and ventilating	1	DE
12	258195								Lever—Shut off valve actuating	1	DE
	557696-6								Tube Assembly—Heating and ventilating LH	1	DE
	557696-7								Tube Assembly—Heating and ventilating RH	1	DE
	557696-8								Tube Assembly—Heating and ventilating	1	DE
	557696-9								Tube Assembly—Heating and ventilating LH	1	DE
	557696-10								Tube Assembly—Heating and ventilating RH	1	DE
	557472-142								Clamp—Turbine and aftercooler	4	DE
	257589								Gasket—Mass flow valve connect	4	DE
	257932								Coupling—Cabin pressure 2.50 inside diameter flexible	2	DE
	557696-86								Clamp—Heating and ventilating	2	DE
	557696-4								Tube Assembly—Heating and ventilating LH	1	DE
	557696-5								Tube Assembly—Heating and ventilating RH	1	DE
13	557696-16								Bracket Assembly—Heating and ventilating LH	1	DE
	557696-17								Bracket Assembly—Heating and ventilating RH	1	DE
	557696-26								Gasket—Heating and ventilating	8	DE
14	557696-28								Stopper—Heating and ventilating	2	DE
15	557696-30								Stopper—Heating and ventilating	2	DE
16	557696-2								Flange Assembly—Heating and ventilating	1	DE
	557696-116								Tube Assembly—Heating and ventilating LH	1	DE
	557696-117								Tube Assembly—Heating and ventilating RH	1	DE
	557696-118								Tube Assembly—Heating and ventilating LH	1	DE
	557696-119								Tube Assembly—Heating and ventilating RH	1	DE
	557696-120								Tube Assembly—Heating and ventilating LH	1	DE
	557696-121								Tube Assembly—Heating and ventilating RH	1	DE
17	529056-2								Valve Assembly—.25 solenoid air shut off	1	DE

CENTER WING GROUP

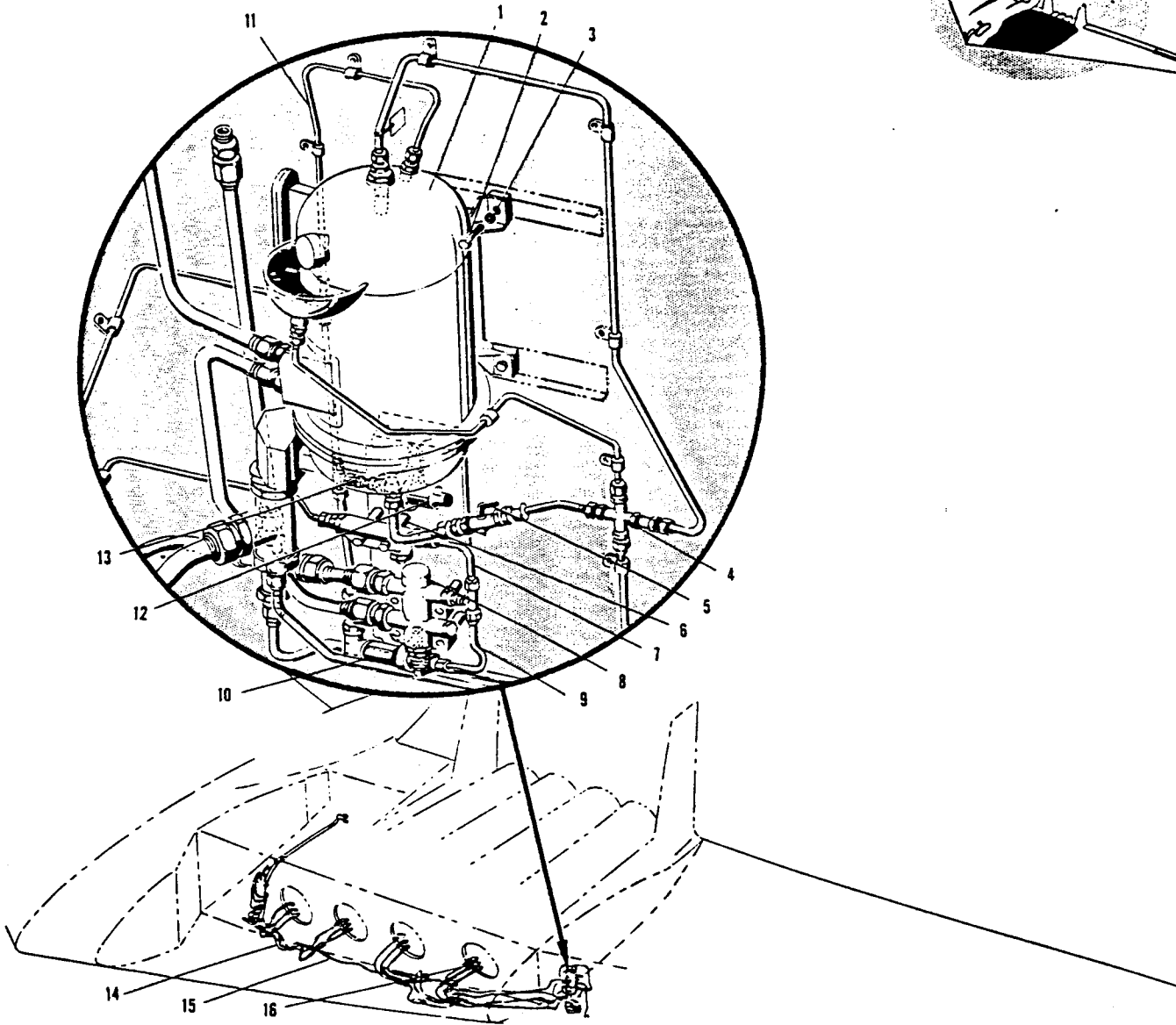
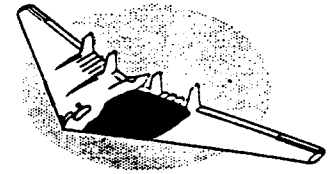


FIGURE 44—CENTER WING HYDRAULICS AFT OF LEADING EDGE

CENTER WING HYDRAULICS AFT OF LEADING EDGE

FIGURE & INDEX NUMBER	PART NUMBER	NOMENCLATURE	UNITS PER ASSEM	USAGE CODE
		1 2 3 4 5 6 7		
	557270	Hydraulic Installation—Center wing aft of leading edge (For next assembly see page 32)	NP	DE
	556420	Hydraulic Installation—Left hand inboard leading edge	NP	DE
	556420-1	Hydraulic Installation—Right hand inboard leading edge	NP	DE
	556542	Hydraulic Installation—Left hand outboard leading edge	NP	DE
	556542-1	Hydraulic Installation—Right hand outboard leading edge	NP	DE
44 - 1	556575	Reservoir Assembly—Hydraulic power boost LH (For detail breakdown see page 93)	2	DE
	557675-1	Reservoir Assembly—Hydraulic power boost RH (For detail breakdown see page 93)	2	DE

CENTER WING GROUP
CENTER WING HYDRAULICS AFT OF LEADING EDGE

FIGURE & INDEX NUMBER	PART NUMBER	1	2	3	4	5	6	7	NOMENCLATURE	UNITS PER ASSEM	USAGE CODE	
	Attaching Parts											
44 - 2	AN4-6A								Bolt—Aircraft 1 4-28 (used on dwg. 556420, and -1)	4	DE	
3	AN960D416								Washer—Plain	4	DE	
	AN4-10A								Bolt—Aircraft 1 4-28 (used on dwg. 556542, and -1)	2	DE	
	AN4-4A								Bolt—Aircraft 1 4-28 (used on dwg. 556542, and -1)	2	DE	
	NAS43-4-32A								Spacer—(used on dwg. 556542, and -1)	2	DE	
	AN365-428								Nut—Self locking (used on dwg. 556542, and -1)	4	DE	
4	B00-10438								Valve—Reservoir relief (GIB)	1	DE	
	AN926-6D								Tee—Internal screw thread	1	DE	
	AN919-6D								Reducer—External thread flared tube	1	DE	
	AN902-6								Gasket—Flared tube	3	DE	
	AN902-4								Gasket—Flared tube	3	DE	
	AN815-6D								Union—Flared tube	1	DE	
	AN824-4D								Tee—Flared tube pipe	1	DE	
5	AN765-11								Cock—Shut-off	1	DE	
	AN816-6D								Nipple—Flared tube	1	DE	
	AN826-6D								Tee—Flared tube	1	DE	
	557353								Panel Assembly—Hydraulic valve mounting, LH	1	DE	
	557353-1								Panel Assembly—Hydraulic valve mounting, RH	1	DE	
6	4860								Fuse Assembly—Gage line (WAH)	1	DE	
	AN815-4D								Union—Flared tube	2	DE	
	AN6227-7								Packing—"O" ring hydraulic	2	DE	
7	557471-2								Line Assembly—Pressure gage fuse to tee	1	DE	
8	E8051								Valve—Relief (VI)	1	DE	
	AN919-19D								Reducer—External thread flared tube	1	DE	
	AN919-9								Reducer—External thread flared tube	1	DE	
	AN893-3								Bushing—Screw thread reducer	1	DE	
	AN834-4								Tee—Flared tube	1	DE	
	AN924-4								Nut—Flared tube universal	1	DE	
	AN814-8D								Plug and Bleeder—Screw thread	1	DE	
	AN902-8								Gasket—Flared tube	2	DE	
	AN6227-12								Packing—"O" ring hydraulic	1	DE	
	AN6227-7								Packing—"O" ring hydraulic	1	DE	
9	557471-4								Line Assembly—Aspirator tee to purolator	1	DE	
10	29513								Purolator Assembly—(PUP)	1	DE	
	AN927-4D								Elbow—Internal screw thread 90°	1	DE	
	AN6207-4								Valve—1500 P.S.I. hydraulic check	4	DE	
	AN902-4								Gasket—Flared tube	1	DE	
11	557471-6								Line Assembly—Aspirator to check valve	1	DE	
12	AN6240-1								Filter—Hydraulic replaceable element vent	1	DE	
13	LA7-3143-1								Valve—Check (PA)	1	DE	
	255314								Aspirator—Hydraulic reservoir pressurized tee	1	DE	
	AN893-2D								Bushing—Screw thread reducer	1	DE	
	AN902-6								Gasket—Flared tube	1	DE	
	AN926-12								Tee—Internal screw thread	3	DE	
	AN815-12								Union—Flared tube	1	DE	
	AN919-19								Reducer—External thread flared tube	3	DE	
	AN902-12								Gasket—Flared tube	3	DE	
14	557653								Line Assembly—Inboard leading edge hydraulics LH	1	DE	
	557654								Line Assembly—Inboard leading edge hydraulics RH	1	DE	
	557640								Line Assembly—Outboard leading edge hydraulics LH	1	DE	
	557641								Line Assembly—Outboard leading edge hydraulics RH	2	DE	
	AN815-4D								Union—Flared tube	1	DE	
	AN824-12								Tee—Flared tube pipe	1	DE	
	AN6220-8								Coupling Half—Hydraulic self seal	1	DE	
	255456-8								Cap Assembly—Ground test connection dust	1	DE	
	255456-10								Cap Assembly—Ground test connection dust	1	DE	
	AN924-8D								Nut—Flared tube universal	1	DE	
	15552-8								Coupling (AQ)	1	DE	
	AN924-8								Nut—Flared tube universal	1	DE	
	AN919-6D								Reducer—External thread flared tube	1	DE	
	AN926-20D								Tee—Internal screw thread	1	DE	
	AN924-20D								Nut—Flared tube universal	2	DE	
	AN893-18D								Bushing—Screw thread reducer	1	DE	
	AN833-20D								Elbow—Flared tube	1	DE	
	AN925-6D								Cross—Internal screw thread	1	DE	
	AN815-8D								Union—Flared tube	1	DE	
	AN815-20D								Union—Flared tube	1	DE	
	AN6227-29								Packing—"O" ring hydraulic	2	DE	
	AN902-20								Gasket—Flared tube	1	DE	
	AN902-8								Gasket—Flared tube	2	DE	
	AN832-12D								Union—Flared tube	2	DE	
	AN924-12D								Nut—Flared tube	1	DE	
	AN924-12Q								Nut—Flared tube	1	DE	
	AN832-12								Union—Flared tube	1	DE	
	556962								Lines Installation—Wing sta 281.5 to 440.5 LH front spar hydraulics	NP	DE	
	556961								Lines Installation—Wing sta 281.5 to 440.5 RH front spar hydraulics	NP	DE	
15	558197								Lines Assembly—Wing sta 281.5 to 440.5 LH front spar hydraulics	1	DE	
	558059								Lines Assembly—Wing sta 281.5 to 440.5 RH front spar hydraulics	4	DE	
16	AN6249-8								Valve—3000 P.S.I. hydraulic check	NP	DE	
	557629								Hydraulic Installation—Power plant section (For detail breakdown see page 233)	NP	DE	

CENTER WING GROUP

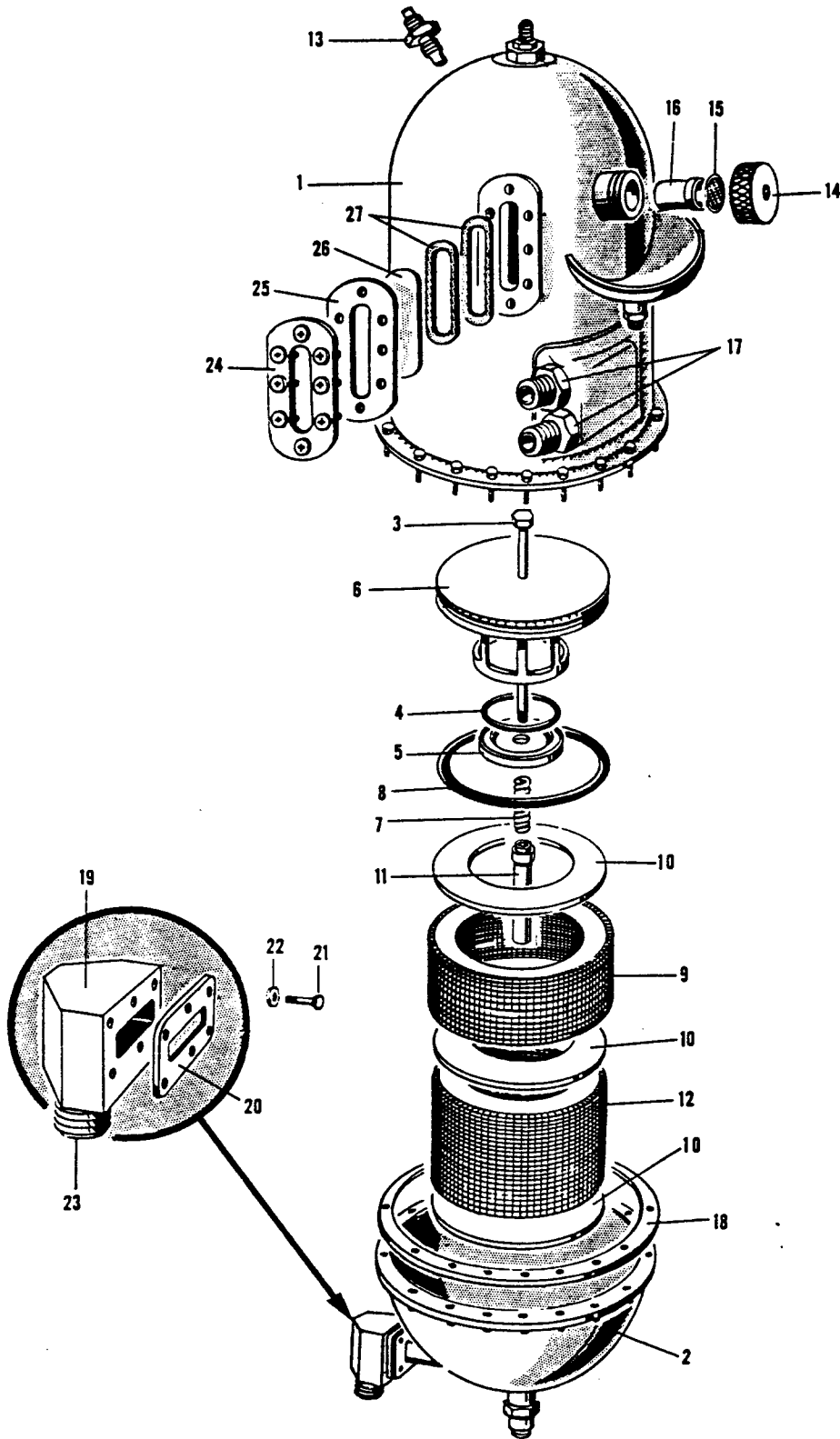
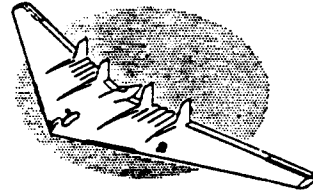


FIGURE 45—HYDRAULIC POWER BOOST RESERVOIR

RESTRICTED

CENTER WING GROUP
HYDRAULIC POWER BOOST RESERVOIR

FIGURE & INDEX NUMBER	PART NUMBER	NOMENCLATURE							UNITS PER ASSEM	USAGE CODE
		1	2	3	4	5	6	7		
	556575	Reservoir Assembly—Hydraulic power boost LH (For next assembly see page 90)							NP	DE
	556575-1	Reservoir Assembly—Hydraulic power boost RH (For next assembly see page 90)							NP	DE
45 - 1	552035	Segment Assembly—Hydraulic pressurized reservoir upper LH							1	DE
	552035-1	Segment Assembly—Hydraulic pressurized reservoir upper RH							2	DE
2	552039	Segment Assembly—Hydraulic pressurized reservoir lower							1	DE
	AN815-6D	Union—Flared tube							1	DE
	AN893-12D	Bushing—Screw thread reducer							1	DE
	AN902-6	Gasket—Flared tube universal fitting							1	DE
	AN902-8	Gasket—Flared tube universal fitting							1	DE
3	156592	Bolt—Hydraulic reservoir filter							1	DE
	AN960D+16	Washer—Plain							1	DE
4	AN6230-7	Gasket—"O" ring hydraulic							1	DE
5	152041	Plate—Hydraulic pressure reservoir filter relief							1	DE
6	556566	Support Assembly—Hydraulic reservoir filter							1	DE
7	152203	Spring—Steering and brake relief valve							1	DE
8	AN6227-72	Packing—"O" ring hydraulic							1	DE
9	AN6236-1	Filter Element—Hydraulic replaceable							3	DE
10	AN6238-1	Gasket—Hydraulic replaceable filter element							1	DE
11	156576	Support—Hydraulic pressure reservoir filter relief spring							1	DE
12	AN6236-2	Filter Element—Hydraulic replaceable							1	DE
13	256296	Fitting—Hydraulic reservoir aspirator port							3	DE
	AN902-4	Gasket—Flared tube universal fitting							1	DE
14	252097	Cap Assembly—Hydraulic reservoir filter							1	DE
15	258348	Gasket—Reservoir filter neck screen							1	DE
16	256588	Screw Assembly—Hydraulic reservoir filler cap							1	DE
	AN815-4D	Union—Flared tube							2	DE
17	AN919-20D	Reducer—External thread flared tube							2	DE
	AN902-10	Gasket—Flared tube universal fitting							26	DE
	AN3-10A	Bolt—Aircraft 10-32							26	DE
	AN365-1032	Nut—Self locking							52	DE
	AN960D10	Washer—Plain							1	DE
18	452047	Gasket—Hydraulic pressurized reservoir sealing							1	DE
	AN919-6D	Reducer—External thread flared tube							1	DE
19	256622	Fitting—Hydraulic reservoir suction outlet							1	DE
20	152108	Gasket—Hydraulic pressure reservoir fuse							6	DE
21	AN4H5A	Bolt—Aircraft 1-4-28							6	DE
22	AN960-416L	Washer—Plain							1	DE
23	AN832-20D	Union—Flared tube							1	DE
	AN902-20	Gasket—Flared tube							1	DE
24	252045	Ring Assembly—Hydraulic pressurized reservoir window attaching							1	DE
25	252046	Gasket—Hydraulic pressurized window sealing							1	DE
26	252044	Window—Hydraulic pressurized reservoir fluid level							2	DE
27	253299	Gasket—Hydraulic pressurized reservoir inner sight window sealing							2	DE

RESTRICTED
AN 01-15EAA-4
LANDING FLAP GROUP

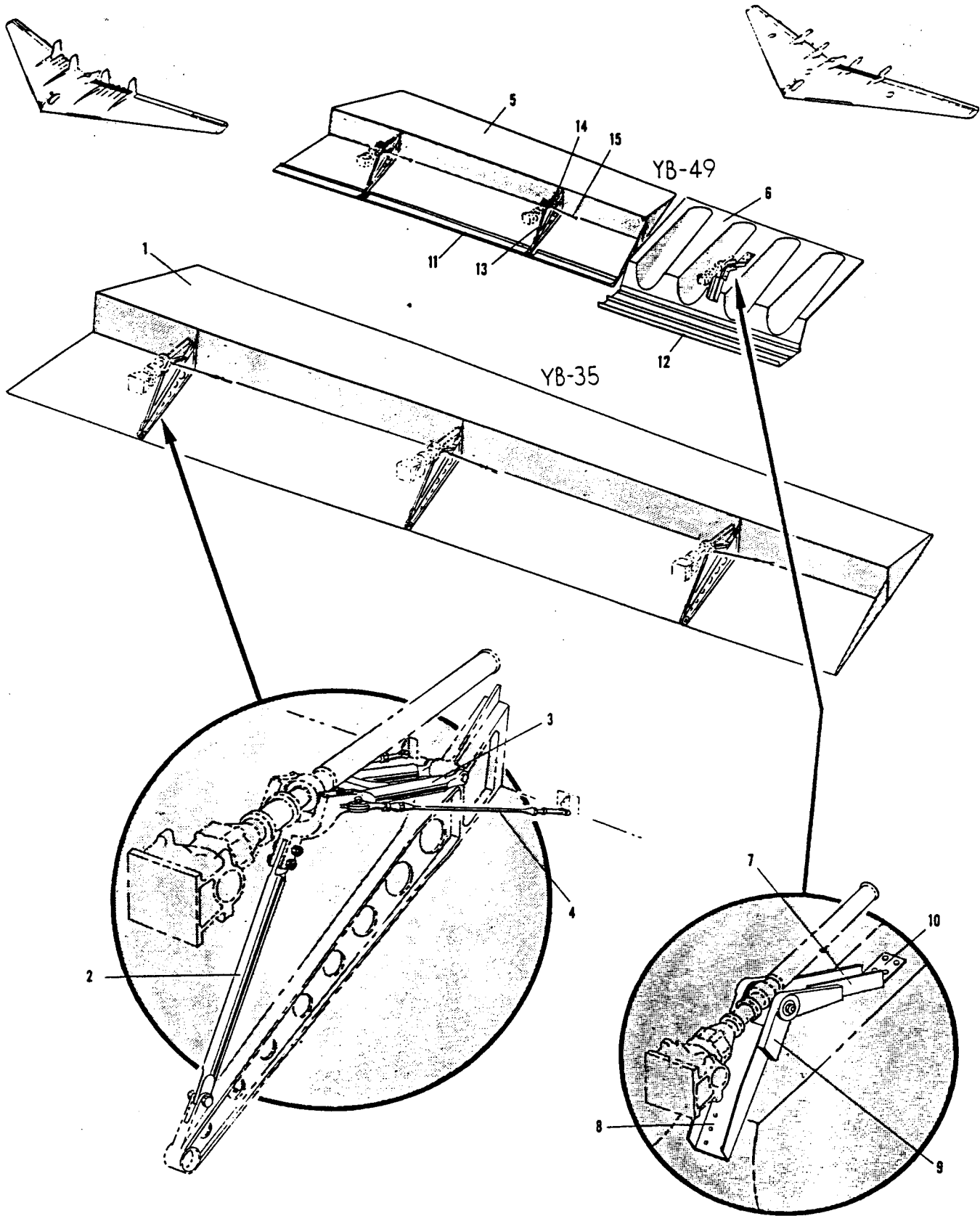


FIGURE 46—LANDING FLAPS

RESTRICTED

LANDING FLAP GROUP
LANDING FLAPS

FIGURE & INDEX NUMBER	PART NUMBER	1	2	3	4	5	6	7	NOMENCLATURE	UNITS PER ASSEM	USAGE CODE
46 - 1	551070	Flap Installation—Landing (For next assembly see page 13)								NP	ALL
	559577	Flap Assembly—Main landing LH								1	X
	Attaching Parts										
	AN8-27	Bolt—Aircraft 1 2-20								4	X
	AN8-31	Bolt—Aircraft 1 2-20								2	X
	AN310-8	Nut—Aircraft castle								2	X
2	450958	Tube Assembly—Flap actuator forward								6	X
3	450963	Tube Assembly—Flap actuator aft								6	X
	Attaching Parts										
	AN6-12A	Bolt—Aircraft 3 8-24								6	X
	AN6-13A	Bolt—Aircraft 3 8-24								12	X
	AN6-31A	Bolt—Aircraft 3 8-24								6	X
	AN4-11A	Bolt—Aircraft 1 4-28								12	X
	AN364-624	Nut—Self locking thin								24	X
	AN365-428	Nut—Self locking								12	X
4	251229	Rod Assembly—Flap actuator truss tie								12	X
	Attaching Parts										
	AN665-21L	Terminal—Thread clevis type tie rod								12	X
	AN665-21R	Terminal—Thread clevis type tie rod								12	X
	AN315-3L	Nut—Aircraft plain								12	X
	AN315-3R	Nut—Aircraft plain								24	X
	AN3-6A	Bolt—Aircraft 10-32								24	X
	AN365-1032	Nut—Self locking									
5	551072	Structure Assembly—Landing flap main LH								1	DE
	551072-1	Structure Assembly—Landing flap main RH								1	DE
6	556762	Flap Assembly—Wing sta 281.5 to wing sta 439.5 landing LH								1	DE
	556762-1	Flap Assembly—Wing sta 281.5 to wing sta 439.5 landing RH								NP	DE
	558233	Rib Installation—Flap sta 330 landing flap actuator LH								NP	DE
	558233-1	Rib Installation—Flap sta 330 landing flap actuator RH								1	DE
7	558233-30	Channel Assembly—Landing flap actuator								1	DE
8	558233-28	Channel Assembly—Landing flap actuator								1	DE
9	558233-32	Yoke Assembly—Landing flap actuator								1	DE
10	558233-26	Fitting—Landing flap actuator									
	Attaching Parts										
	AN5-11A	Bolt—Aircraft 5 16-24								8	DE
	AN4-11A	Bolt—Aircraft 1 4-28								4	DE
	AN960D516	Washer—Plain								8	DE
	AN960D416	Washer—Plain								4	DE
	AN365-524	Nut—Self locking								8	DE
	AN365-428	Nut—Self locking								4	DE
	AN310-8	Nut—Aircraft castle								2	DE
	AN960-816	Washer—Plain								2	DE
11	558443	Seal Installation—Landing flap LH								NP	DE
	558443-1	Seal Installation—Landing flap RH								NP	DE
12	558364	Seal Installation—Engine bay flap to rear spar LH								NP	DE
	558364-1	Seal Installation—Engine bay flap to rear spar RH								NP	DE
	Attaching Parts										
	AN8-27	Bolt—Aircraft 1 2-20								2	DE
	AN3-31	Bolt—Aircraft 1 2-28								2	DE
	AN310-8	Nut—Aircraft castle								4	DE
13	450958	Tube Assembly—Flap actuator forward								4	DE
14	450963	Tube Assembly—Flap actuator aft								4	DE
	Attaching Parts										
	AN6-12A	Bolt—Aircraft 3 8-24								8	DE
	AN6-13A	Bolt—Aircraft 3 8-24								4	DE
	AN4-11A	Bolt—Aircraft 1 4-28								8	DE
	AN365-624	Nut—Self locking thin								16	DE
	AN365-428	Nut—Self locking								8	DE
15	251229	Rod Assembly—Flap actuator truss tie								8	DE
	Attaching Parts										
	AN665-21L	Terminal—Thread clevis type tie rod								8	DE
	AN665-21R	Terminal—Thread clevis type tie rod								8	DE
	AN315-3L	Nut—Aircraft plain								8	DE
	AN315-3R	Nut—Aircraft plain								8	DE
	AN3-6A	Bolt—Aircraft 10-32								16	DE
	AN365-1032	Nut—Self locking									

BODY GROUP

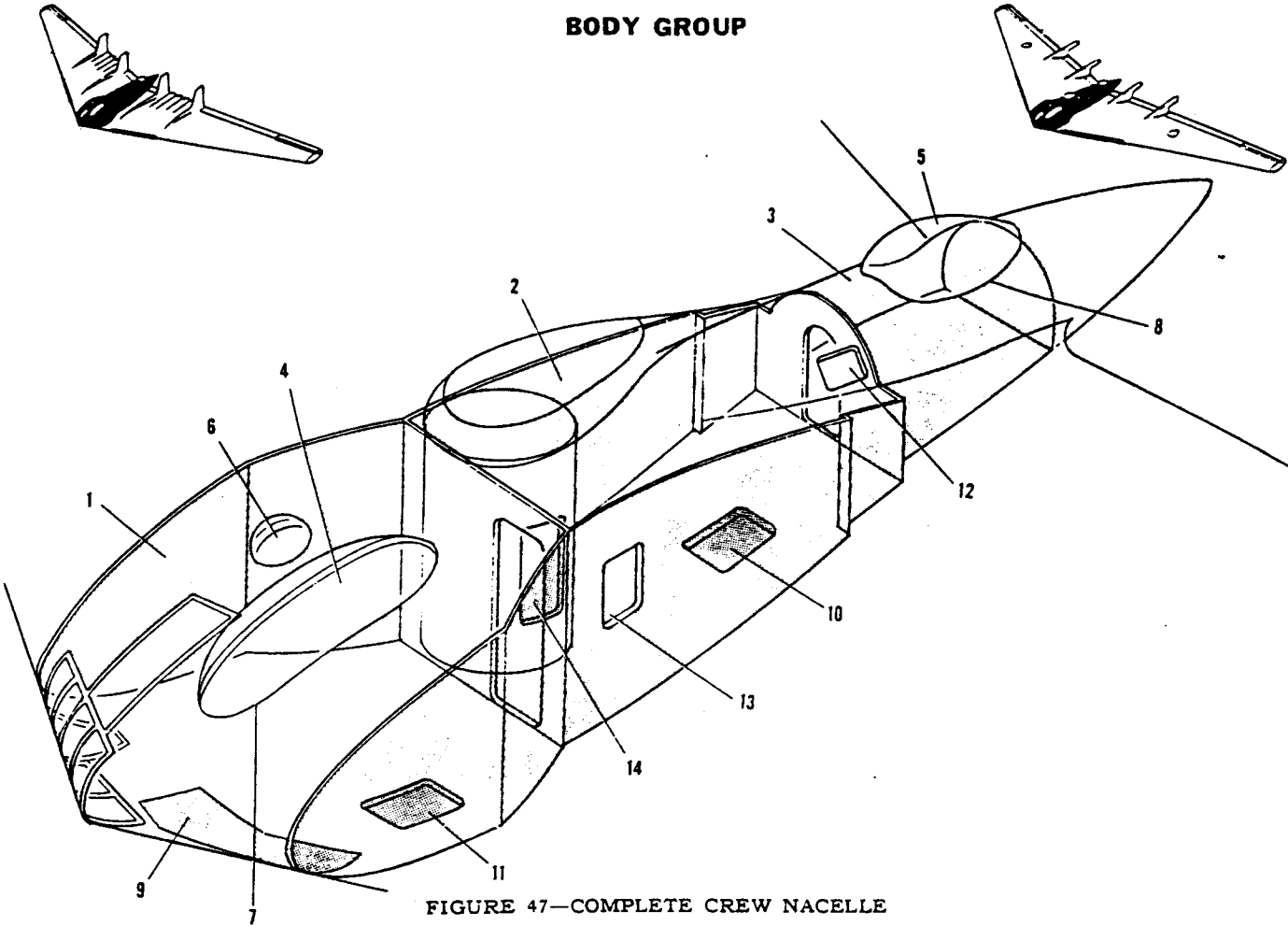


FIGURE 47—COMPLETE CREW NACELLE

COMPLETE CREW NACELLE

FIGURE & INDEX NUMBER	PART NUMBER	NOMENCLATURE	UNITS PER ASSEM	USAGE CODE
		1 2 3 4 5 6 7		
	579000-500	Nacelle Assembly—Complete crew (For next assembly see page 13)	NP	C
	579000-502	Nacelle Assembly—Complete crew (For next assembly see page 13)	NP	DE
	579000-504	Nacelle Assembly—Complete crew (For next assembly see page 13)	NP	VU
47 - 1	579006	Nose Section Installation—Crew nacelle (For detail breakdown see page 97)	NP	ALL
2	551000	Center Section Assembly—Crew nacelle (For detail breakdown see page 131)	NP	ALL
3	575105	Aft Section Installation—Crew nacelle (For detail breakdown see page 131)	NP	ALL
4	579014	Enclosure Installation—Pilot's (For detail breakdown see page 134)	NP	ALL
5	579015	Enclosure Installation—Rear upper gunner (For detail breakdown see page 135)	NP	C
6	579015-500	Enclosure Installation—Rear upper gunner (For detail breakdown see page 135)	NP	D-R
7	579013	Astrodome Installation—(For detail breakdown see page 136)	NP	ALL
8	556152	Fairing Installation—Pilot's enclosure	NP	ALL
9	556297	Fairing Installation—Aft sighting station enclosure upper	NP	ALL
10	581267	Door Installation—Nose wheel (For detail breakdown see page 137)	NP	ALL
11	575113	Door Installation—Crew nacelle main entrance (For detail breakdown see page 139)	NP	ALL
12	579025	Hatch Assembly—Lower forward crew nacelle escape	1	ALL
13	579026	Hatch Assembly—Upper rear crew nacelle escape	1	ALL
14	579027	Hatch Assembly—Crew nacelle side escape	1	ALL
	475563	Hatch Assembly—Crew nacelle turret well service	1	ALL
	560740	Hatch Assembly—Crew nacelle aft section	1	X
	559633	Support Installation—Drinking water cask and cup holder	NP	ALL
	559637	Support—Drinking water cask aft	1	ALL
	560143	Strap Assembly—Beverage jug container	4	ALL
	559633-20	Rod Assembly—Drinking water cask and cup holder	1	ALL
	559633-22	Rod Assembly—Drinking water cask and cup holder	4	ALL
	559633-24	Rod Assembly—Drinking water cask and cup holder	1	ALL
	551097-500	Instruments Installation—Crew nacelle (For detail breakdown see page 141)	NP	X
	556840	Instruments Installation—Crew nacelle (For detail breakdown see page 141)	NP	DE
	551134	Hydraulics Installation—Crew nacelle aft (For detail breakdown see page 145)	NP	X
	551138	Electrical Installation—Crew nacelle (For detail breakdown see page 147)	NP	ALL
	551139	Electrical Installation—Crew nacelle armament (For detail breakdown see page 147)	NP	ALL
	552161	Markings Installation—Crew nacelle fixed structure interior	NP	ALL
	552163	Markings Installation—Crew nacelle fixed structure exterior	NP	ALL
	560331	Support Installation—Crew nacelle nose section portable oxygen cylinders	NP	U
	558674	Straps Installation—Oxygen tube stowage and retaining	NP	ALL
	550803	Bracket Installation—Landing flap power unit support	NP	ALL
	550804	Bracket Installation—Landing flap torque tube support	NP	ALL

BODY GROUP
CREW NACELLE NOSE SECTION

FIGURE & INDEX NUMBER	PART NUMBER	NOMENCLATURE							UNITS PER ASSEM	USAGE CODE
		1	2	3	4	5	6	7		
		Nose Section Installation—Crew nacelle (For next assembly see page 96)							NP	ALL
	579006	Nose Section Assembly—Crew nacelle							NP	ALL
48 - 1	551001-500	Structure Assembly—Crew nacelle nose section							NP	ALL
	579001	Structure Assembly—Upper crew nacelle nose section							NP	ALL
2	579004	Structure Assembly—Lower crew nacelle nose section							NP	ALL
3	579005	Door Installation—Leading edge crew nacelle access							NP	ALL
4	554858	Door Installation—Wing sta 63 LH leading edge access							NP	ALL
5	455225	Wall Installation and Assembly—Aft vertical LH crew nacelle							NP	ALL
	579131	Valve Installation—Cabin pressure relief and dump							1	ALL
	556467	Valve—(ACEC)							1	DE
	22300	Valve—(ACEC)							NP	ALL
	30495-7.50	Structure Assembly—Crew nacelle RH forward nose section							1	ALL
6	579012	Glass—Co-pilot's inboard upper leading edge window							1	ALL
7	479328	Glass—Leading edge wing sta 15.5 to wing sta 30 co-pilot's compartment							1	ALL
8	579162	Glass—Leading edge wing sta 30 to 44 co-pilot's compartment							1	ALL
9	579163	Glass—Leading edge wing sta 44.25 to 58.5 co-pilot's compartment							1	ALL
10	579164	Glass—Co-pilot's overhead window							1	ALL
11	579368	Glass—Lower inboard leading edge co-pilot's window							1	ALL
12	579122	Glass—Lower outboard leading edge co-pilot's window							1	ALL
13	579424	Panel—Bombardier's window							1	ALL
14	480888	Bracket Installation—Crew nacelle sta 154.438 throttle control pulley							NP	ALL
	554168	Bracket Assembly—Crew nacelle sta 154.438 throttle control pulley							1	ALL
15	554168-2									
	Attaching Parts									
	AN3-10A	Bolt—Aircraft 10-32						4	ALL	
	AN960D10	Washer—Plain						4	ALL	
	AN365-1032	Nut—Self locking						4	ALL	
	554218	Bracket Installation—Crew nacelle sta 142 throttle control pulley							NP	ALL
16	554218-2	Bracket Assembly—Crew nacelle sta 142 throttle control pulley							1	ALL
	Attaching Parts									
	AN23-15A	Bolt—Aircraft clevis						1	ALL	
	AN960D10	Washer—Plain						8	ALL	
	AN364-1032	Nut—Self locking thin						1	ALL	
	AN3-10A	Bolt—Aircraft 10-32						3	ALL	
	AN365-1032	Nut—Self locking						3	ALL	
	554160	Bracket Installation—Crew nacelle sta 130.75 throttle control pulley							NP	ALL
17	554160-2	Bracket Assembly—Crew nacelle sta 130.75 throttle control pulley							1	ALL
	Attaching Parts									
	AN3-10A	Bolt—Aircraft 10-32						2	ALL	
	AN3-11A	Bolt—Aircraft 10-32						1	ALL	
	AN23-13A	Bolt—Clevis						1	ALL	
	AN960D10	Washer—Plain						8	ALL	
	AN364-1032	Nut—Self locking thin						1	ALL	
	AN365-1032	Nut—Self locking						3	ALL	
	555208	Bracket Installation—Crew nacelle sta 110 landing gear emergency release upper pulley							NP	ALL
18	555208-20	Bracket Assembly—Crew nacelle sta 110 landing gear emergency release upper pulley							1	ALL
	Attaching Parts									
	AN3-5A	Bolt—Aircraft 10-32						3	ALL	
	AN960D10	Washer—Plain						6	ALL	
	AN365-1032	Nut—Self locking						3	ALL	
	552048	Bracket Installation—Crew nacelle sta 117.75 elevon pulley							NP	ALL
19	552048-16	Bracket Assembly—Crew nacelle sta 117.75 elevon pulley							1	ALL
	Attaching Parts									
	AN3-4A	Bolt—Aircraft 10-32						6	ALL	
	AN960D10	Washer—Plain						6	ALL	
	AN365-1032	Nut—Self locking						6	ALL	
	554018	Bracket Installation—Crew nacelle sta 117.75 to 130.75 throttle control pulley							NP	ALL
20	554018-2	Bracket Assembly—Crew nacelle sta 117.75 to 130.75 throttle control pulley							1	ALL
	Attaching Parts									
	AN3-6A	Bolt—Aircraft 10-32						2	ALL	
	AN3-7A	Bolt—Aircraft 10-32						1	ALL	
	AN3-10A	Bolt—Aircraft 10-32						1	ALL	
	AN960D10	Washer—Plain						8	ALL	
	AN365-1032	Nut—Self locking						4	ALL	
	552071	Bracket Installation—Crew nacelle sta 98.00 elevon pulley lower							NP	ALL
21	552071-28	Bracket Assembly—Crew nacelle sta 98.00 elevon pulley lower							1	ALL
	Attaching Parts									
	AN3-5A	Bolt—Aircraft 10-32						2	ALL	
	AN4-7A	Bolt—Aircraft 1/4-28						2	ALL	
	AN960D10	Washer—Plain						2	ALL	
	AN960D416	Washer—Plain						2	ALL	
	AN365-1032	Nut—Self locking						2	ALL	
	AN365-428	Nut—Self locking						2	ALL	

BODY GROUP

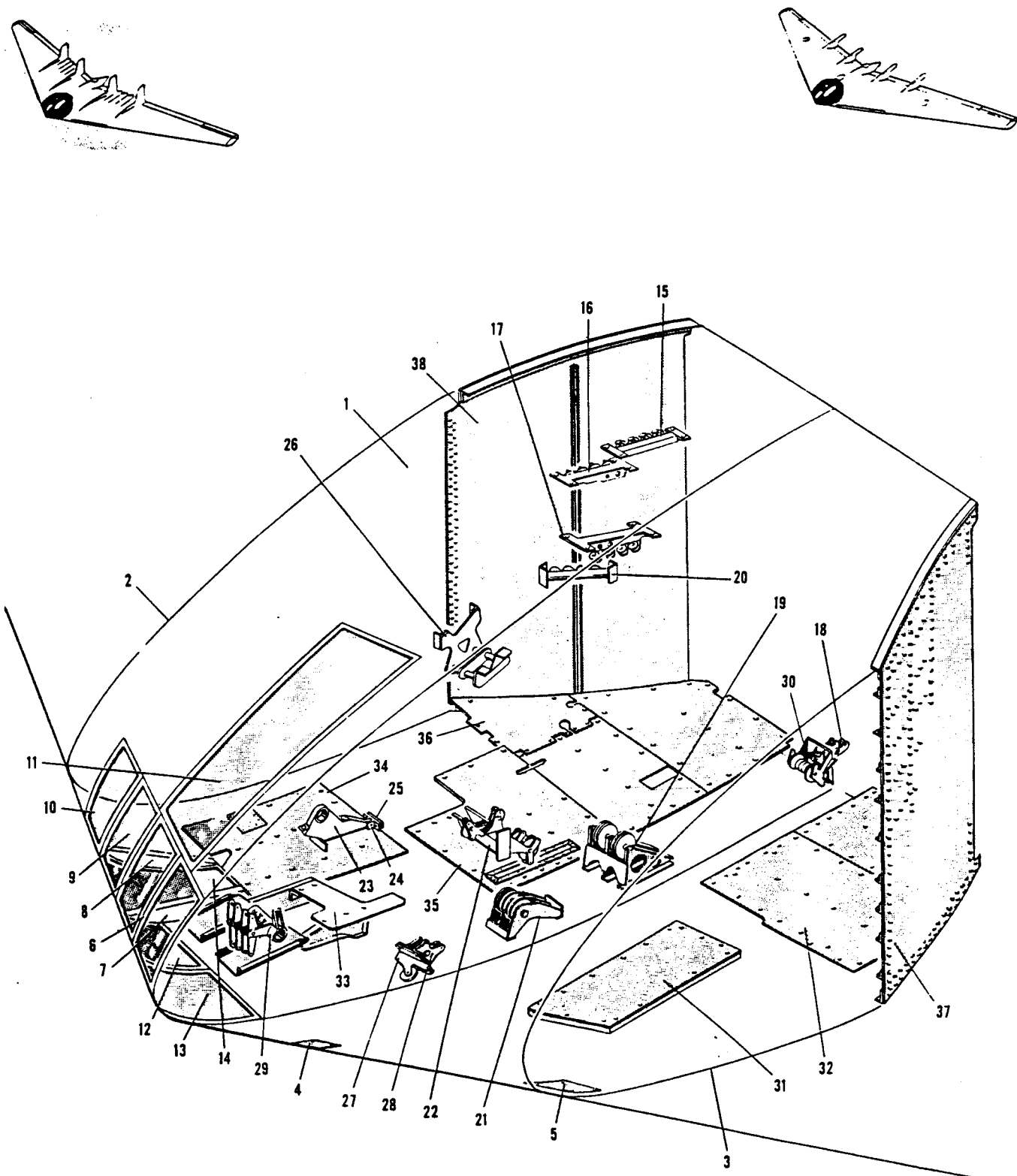


FIGURE 48—CREW NACELLE NOSE SECTION

RESTRICTED

BODY GROUP
CREW NACELLE NOSE SECTION

FIGURE & INDEX NUMBER	PART NUMBER	1	2	3	4	5	6	7	NOMENCLATURE	UNITS PER ASSEM	USAGE CODE	
48 - 22	552072	Bracket Installation—Crew nacelle sta 98.00 elevon pulley upper	NP	ALL	
	552072-38	Bracket Assembly—Crew nacelle sta 98.00 elevon pulley upper	1	ALL	
	Attaching Parts											
	AN4-12A	Bolt—Aircraft 1/4-28	4	ALL	
	AN960D416	Washer—Plain	8	ALL	
	AN365-428	Nut—Self locking	4	ALL	
23	552010	Bracket Installation—Co-pilot's control column outboard support	NP	ALL	
	551461	Bracket Assembly—Co-pilot's control column outboard support	1	ALL	
	Attaching Parts											
	AN3-6A	Bolt—Aircraft 10-32	4	ALL	
	AN3-7A	Bolt—Aircraft 10-32	2	ALL	
	AN3-10A	Bolt—Aircraft 10-32	2	ALL	
	AN960D10	Washer—Plain	8	ALL	
	AN365-1032	Nut—Self locking	8	ALL	
24	152032	Fitting—Co-pilot's control column outboard support bracket	1	ALL	
25	152204	Spacer—Co-pilot's control column outboard support bracket	1	ALL	
26	555127	Support Installation—Crew nacelle sta 92 throttle control switch and bellcrank	NP	ALL	
	555127-4	Support Assembly—Crew nacelle sta 92 throttle control switch and bellcrank	1	ALL	
	Attaching Parts											
	AN3-5A	Bolt—Aircraft 10-32	2	ALL	
	AN3-6A	Bolt—Aircraft 10-32	2	ALL	
	AN3-10A	Bolt—Aircraft 10-32	4	ALL	
	AN960-10L	Washer—Plain	16	ALL	
	AN365-1032	Nut—Self locking	8	ALL	
27	555041	Bracket Installation—Landing gear normal control spring cable lower pulley	NP	ALL	
	555041-12	Bracket Assembly—Landing gear normal control spring cable lower pulley	1	ALL	
	Attaching Parts											
	AN3-5A	Bolt—Aircraft 10-32	4	ALL	
	AN960D10	Washer—Plain	8	ALL	
	AN365-1032	Nut—Self locking	4	ALL	
28	554845	Bracket Installation—Landing gear normal control spring cable upper pulley	NP	ALL	
	554845-16	Bracket Assembly—Landing gear normal control spring cable upper pulley	1	ALL	
	Attaching Parts											
	AN3-5A	Bolt—Aircraft 10-32	3	ALL	
	AN960D10	Washer—Plain	6	ALL	
	AN365-1032	Nut—Self locking	3	ALL	
29	551748	Bracket Installation—Crew nacelle sta 35 elevon pulley	NP	ALL	
	551748-2	Bracket Assembly—Crew nacelle sta 35 elevon pulley	1	ALL	
	Attaching Parts											
	AN4-12A	Bolt—Aircraft 1/4-28	3	ALL	
	AN960D416	Washer—Plain	6	ALL	
	AN365-428	Nut—Self locking	3	ALL	
30	555372	Bracket Installation—Nose landing gear emergency release controls	NP	ALL	
	555372-4	Bracket Assembly—Nose landing gear emergency release controls	1	ALL	
	Attaching Parts											
	AN4-5A	Bolt—Aircraft 1/4-28	3	ALL	
	AN960D416	Washer—Plain	3	ALL	
	AN365-428	Nut—Self locking	3	ALL	
31	552573	Structure Installation—Flight engineer's station lower	NP	ALL	
	580505	Floor Assembly and Installation—Crew nacelle pilot's auxiliary	NP	ALL	
32	551736	Floor Installation—Radio operator's	NP	ALL		
33	556389	Trough Installation—Co-pilot's floor and heel	NP	ALL		
34	552207	Floor Installation—Bombardier's	NP	ALL		
35	551407	Floor Installation—Navigator's	NP	ALL		
36	559799	Cover Installation—Grid protection	1	ALL	
	559799-2	Cover Assembly—Grid protection	NP	X	
	551155	Hydraulic Installation—Crew nacelle nose section (For detail breakdown see page 101)	NP	DE		
	557701	Hydraulic Installation—Crew nacelle nose section (For detail breakdown see page 107)	NP	ALL		
	551142	Electrical Installation—Crew nacelle nose section armament	NP	ALL		
	551148	(For detail breakdown see page 116)	NP	ALL		
	556839	Oxygen Equipment Installation—Crew nacelle nose section (For detail breakdown see page 117)	NP	ALL		
	460613	Scoop Installation—Control force bellows ram air	NP	ALL		
	560743	Scoop Assembly—Control force bellows ram air	1	ALL		
	460260	Gasket—Control force bellows ram air	1	ALL		
	560509	Release Installation—Astrodome electrical emergency (For detail breakdown see page 120)	NP	U		
	553238	Duct Installation—Forward cabin heat and vent (For detail breakdown see page 119)	NP	ALL		
37	579227	Wall Installation and Assembly—Crew nacelle sta 142 to 189.994 LH side canted	NP	ALL		
38	579228	Wall Installation and Assembly—Crew nacelle sta 142 to 189.994 RH side canted	NP	ALL		

BODY GROUP

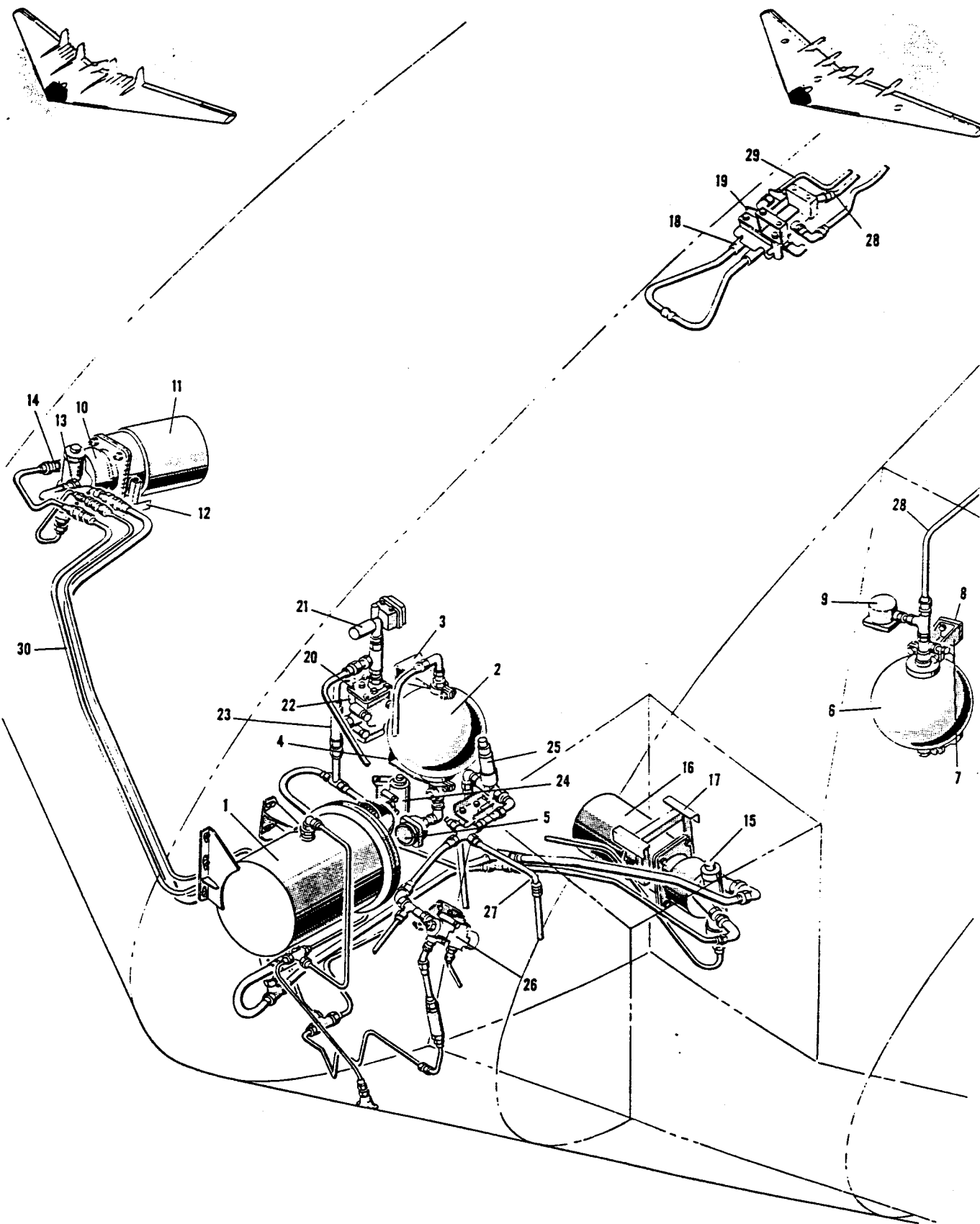


FIGURE 49—CREW NACELLE NOSE SECTION HYDRAULICS

BODY GROUP
CREW NACELLE NOSE SECTION HYDRAULICS

FIGURE & INDEX NUMBER	PART NUMBER	NOMENCLATURE	UNITS PER ASSEM	USAGE CODE
		1 2 3 4 5 6 7		
	551155	Hydraulic Installation—Crew nacelle nose section (For next assembly see page 97)	NP	X
	557701	Hydraulic Installation—Crew nacelle nose section (For next assembly see page 97)	NP	DE
49 - 1	553268	Reservoir Installation—Steering and brake (For detail breakdown see page 103)	NP	ALL
	553348	Accumulator Installation—Nose gear steering and brake	NP	ALL
2	405554	Accumulator Assembly—7-1/2-inch high pressure (BX)	1	ALL
		Attaching Parts		
3	453453	Bracket Assembly—Hydraulic accumulator upper	1	ALL
4	453452	Bracket Assembly—Hydraulic accumulator lower	1	ALL
	AN3-7A	Bolt—Aircraft 10-32	2	ALL
	AN365-1032	Nut—Self locking	2	ALL
	AN960D10	Washer—Plain	4	ALL
	AN4-7Z	Bolt—Aircraft 1/4-28	1	ALL
	AN365-428	Nut—Self locking	5	ALL
	AN960D416	Washer—Plain	5	ALL
	AN4-10A	Bolt—Aircraft 1/4-28	4	ALL
	AN901-5A	Gasket—Metal tube connection seal	2	ALL
	AN6218-1	Fitting—Hydraulic accumulator air pressure gage	1	ALL
	AN6218-2	Fitting—Hydraulic accumulator air pressure gage	1	ALL
	AN924-4	Nut—Flared tube universal	2	ALL
	AN6227-7	Packing—"O" ring hydraulic	3	ALL
5	AW17/3-17CZ	Gage—(U S G)	1	ALL
	AN832-4	Union—Flared tube bulkhead and universal	1	ALL
	AN927-4	Elbow—Internal screw thread 90°	1	ALL
	553568	Tank Installation—Emergency brake air	NP	ALL
6	404730	Tank Assembly—Emergency air brake (BX)	1	ALL
		Attaching Parts		
7	452131	Support Assembly—Emergency air brake tank	2	ALL
8	155074	Filler—Emergency air brake tank support	2	ALL
	AN4-11A	Bolt—Aircraft 1/4-28	4	ALL
	AN365-428	Nut—Self locking	4	ALL
	AN960D416	Washer—Plain	8	ALL
	AN3-7A	Bolt—Aircraft 10-32	4	ALL
	AN365-1032	Nut—Self locking	4	ALL
	AN960C10L	Washer—Plain	8	ALL
	AN814-8D	Plug and Bleeder—Screw thread	1	ALL
	AN6227-9	Packing—"O" Ring hydraulic	1	ALL
	AN749-3-10	Jumper—Bonding	1	ALL
	AN6218-1	Fitting—Hydraulic accumulator air pressure gage	1	ALL
	AN6218-2	Fitting—Hydraulic accumulator air pressure gage	1	ALL
	AN901-5A	Gasket—Metal tube connection seal	3	ALL
9	AN5769-1	Gage—Hydraulic system pressure	1	ALL
	AN924-4	Nut—Flared tube universal	2	ALL
	AN6227-7	Packing—"O" ring hydraulic	4	ALL
	AN926-4D	Tee—Internal screw thread	1	ALL
	AN832-4D	Union—Flared tube	1	ALL
	AN916-6D	Reducer—Internal pipe thread	1	ALL
	553568-2	Line Assembly—Emergency air brake tank	1	ALL
	AN832-6D	Union—Flared tube	1	ALL
	AN901-6	Gasket—Metal tube connection seal	1	ALL
	AN924-6D	Nut—Flared tube universal	1	ALL
	553331	Pump Installation—Nose gear steering and brake hydraulic	NP	ALL
10	67VA190	Pump Assembly—Hydraulic (N Y B)	1	ALL
11	2820	Drive Assembly—Hydraulic pump (VAR)	1	ALL
12	558926	Bracket Assembly—Nose gear steering and brake pump	1	ALL
		Attaching Parts		
	AN4-6A	Bolt—Aircraft 1/4-28	4	ALL
	AN365-428	Nut—Self locking	4	ALL
	AN960D416	Washer—Plain	8	ALL
	AN5-7A	Bolt—Aircraft 5/16-24	3	ALL
	AN365-524	Nut—Self locking	3	ALL
	AN310-5	Nut—Aircraft castle	4	ALL
	AN4044-1	Gasket—Hydraulic pressure pump	1	ALL
	AN960D516	Washer—Plain	7	ALL
13	AN815-12D	Union—Flared tube	1	ALL
	AN902-12	Gasket—Flare tube	1	ALL
14	AN919-5	Reducer—External thread flared tube	1	ALL
	AN6227-13	Packing—"O" ring hydraulic	1	ALL
	558725	Pump Installation—Nose gear steering and brake auxiliary	NP	ALL
15	67VA190	Pump Assembly—Hydraulic (N Y B)	1	ALL
16	2820	Drive Assembly—Hydraulic pump (VAR)	1	ALL
17	558726	Bracket Assembly—Nose gear steering and brake pump	1	ALL
		Attaching Parts		
	AN4-6A	Bolt—Aircraft 1/4-28	4	ALL
	AN365-428	Nut—Self locking	4	ALL
	AN960D416	Washer—Plain	8	ALL
	AN5-10A	Bolt—Aircraft 5/16-24	3	ALL
	AN365-524	Nut—Self locking	3	ALL
	AN960D516	Washer—Plain	7	ALL
	AN4044-1	Gasket—Hydraulic pressure pump	1	ALL
	AN310-5	Nut—Aircraft castle	4	ALL

Section II
Group Assembly Parts List

RESTRICTED
AN 01-15EAA-4

BODY GROUP
CREW NACELLE NOSE SECTION HYDRAULICS

FIGURE & INDEX NUMBER	PART NUMBER	1	2	3	4	5	6	7	NOMENCLATURE	UNITS PER ASSEM	USAGE CODE
	AN824-4D	Tee—Flared tube pipe	1	ALL
	AN824-12D	Tee—Flared tube pipe	1	ALL
	AN832-4D	Union—Flared tube pipe	1	ALL
	AN924-12D	Nut—Flared tube	3	ALL
	AN960D716	Washer—Plain	1	ALL
	AN837-12D	Elbow—Flared tube 45°	1	ALL
	AN960D1716	Washer—Plain	1	ALL
	AN837-8	Elbow—Flared tube 45°	1	ALL
	AN924-8	Nut—Flared tube 45°	1	ALL
	AN960-1216	Washer—Plain	1	ALL
	755-4-2-6	Clip—Loop type (AP)	1	ALL
	755-12-2-8	Clip—Loop type (AP)	1	ALL
	755-8-2-8	Clip—Loop type (AP)	1	ALL
	AN833-12D	Elbow—Flared tube 90°	1	ALL
	AN902-12	Gasket—Flared tube	1	ALL
	AN822-4D	Elbow—Flared tube 90°	1	ALL
	AN919-15	Reducer—External thread flared tube	1	ALL
	AN6227-19	Packing—"O" ring hydraulic	1	ALL
	554158	Valve Installation—Siamese type emergency brake	NP	ALL
49 - 18	SA3005-88	Valve Assembly—Air brake (BEW)	1	ALL
19	454626	Bracket Assembly—Emergency air brake valve	1	ALL
	Attaching Parts										
	AN3-6A	Bolt—Aircraft 10-32	1	ALL
	AN365-1032	Nut—Self locking	1	ALL
	AN960D10	Washer—Plain	1	ALL
	AN24-32A	Bolt—Clevis	4	ALL
	AN365-428	Nut—Self locking	4	ALL
	AN960-416L	Washer—Plain	8	ALL
	558922	Valve Installation—Nose gear steering and brake unload and pressure switch	NP	ALL
20	406600	Regulator—Pressure (BX)	1	ALL
21	407780	Switch—Pressure (BX)	1	ALL
22	559126	Bracket Assembly—Nose gear steering and brake pressure regulator	1	ALL
	Attaching Parts										
	AN4-16A	Bolt—Aircraft 1 4-28	4	ALL
	AN365-428	Nut—Self locking	4	ALL
	AN960D416	Washer—Plain	4	ALL
	AN3-7A	Bolt—Aircraft 1032	4	ALL
	AN365-1032	Nut—Self locking	4	ALL
	AN960D10	Washer—Plain	4	ALL
23	559125	Lines Assembly—Nose gear steering and brake valve	AR	ALL
	AN833-8	Elbow—Flared tube 90°	1	ALL
	AN6227-10	Packing—"O" ring hydraulic	5	ALL
	AN924-8	Nut—Flared tube	3	ALL
	AN815-8	Union—Flared tube	1	ALL
	AN919-10D	Reducer—External thread flared tube	1	ALL
	AN902-8	Gasket—Flared tube	3	ALL
	AN926-8D	Tee—Internal screw thread	1	ALL
	AN924-8D	Nut—Flared tube	1	ALL
	AN832-8D	Union—Flared tube	1	ALL
	AN815-8D	Union—Flared tube	1	ALL
	AN832-8	Elbow—Flared tube	2	ALL
	AN6227-9	Packing—"O" ring hydraulic	5	ALL
	AN927-8	Elbow—Internal screw thread 90°	1	ALL
	AN893-12	Bushing—Screw thread reducer	1	ALL
	AN6227-8	Packing—"O" ring hydraulic	1	ALL
	AN832-6	Union—Flared tube	2	ALL
	AN6227-7	Packing—"O" ring hydraulic	1	ALL
	AN924-6	Nut—Flared tube	1	ALL
	AN926-8	Tee—Internal screw thread	1	ALL
	AN833-4D	Elbow—Flared tube	1	ALL
	AN924-4D	Nut—Flared tube	1	ALL
	AN827-8	Cross—Flared tube	1	ALL
	AN814-8	Plug and Bleeder—Screw thread	1	ALL
	3-243-7	Valve—Hydraulic check (PA)	2	ALL
	553521	Valve Installation—Nose gear and brake magnetic and relief (For detail breakdown see page 103)	NP	ALL
24	E8051	Valve—Relief (V1)	REF	ALL
25	559143	Valve Assembly—Normally closed electric shutoff	REF	ALL
26	558509	Valve Assembly—Electric fourway	REF	ALL
	553569	Lines Installation—Crew nacelle nose section hydraulic	NP	ALL
27	555076	Lines Assembly—Crew nacelle nose section hydraulic	AR	ALL
	555144	Lines Installation—Crew nacelle emergency air brake	NP	ALL
28	555257	Lines Assembly—Crew nacelle emergency air brake	AR	ALL
	555441	Lines Installation—Crew nacelle nose section brake hydraulic	NP	ALL
29	555553	Lines Assembly—Crew nacelle nose section brake hydraulic	AR	ALL
	555376	Lines Installation—Crew nacelle nose section brake and vent	NP	X
	555802	Lines Assembly—Crew nacelle nose section brake and vent	AR	X
	557244	Lines Assembly—Crew nacelle nose section brake and vent	NP	DE
	558193	Lines Assembly—Crew nacelle nose section brake and vent	AR	DE
	559109	Lines Installation—Crew nacelle nose section main pump hydraulic	NP	ALL
30	559110	Lines Assembly—Crew nacelle nose section main pump hydraulic	AR	ALL

BODY GROUP

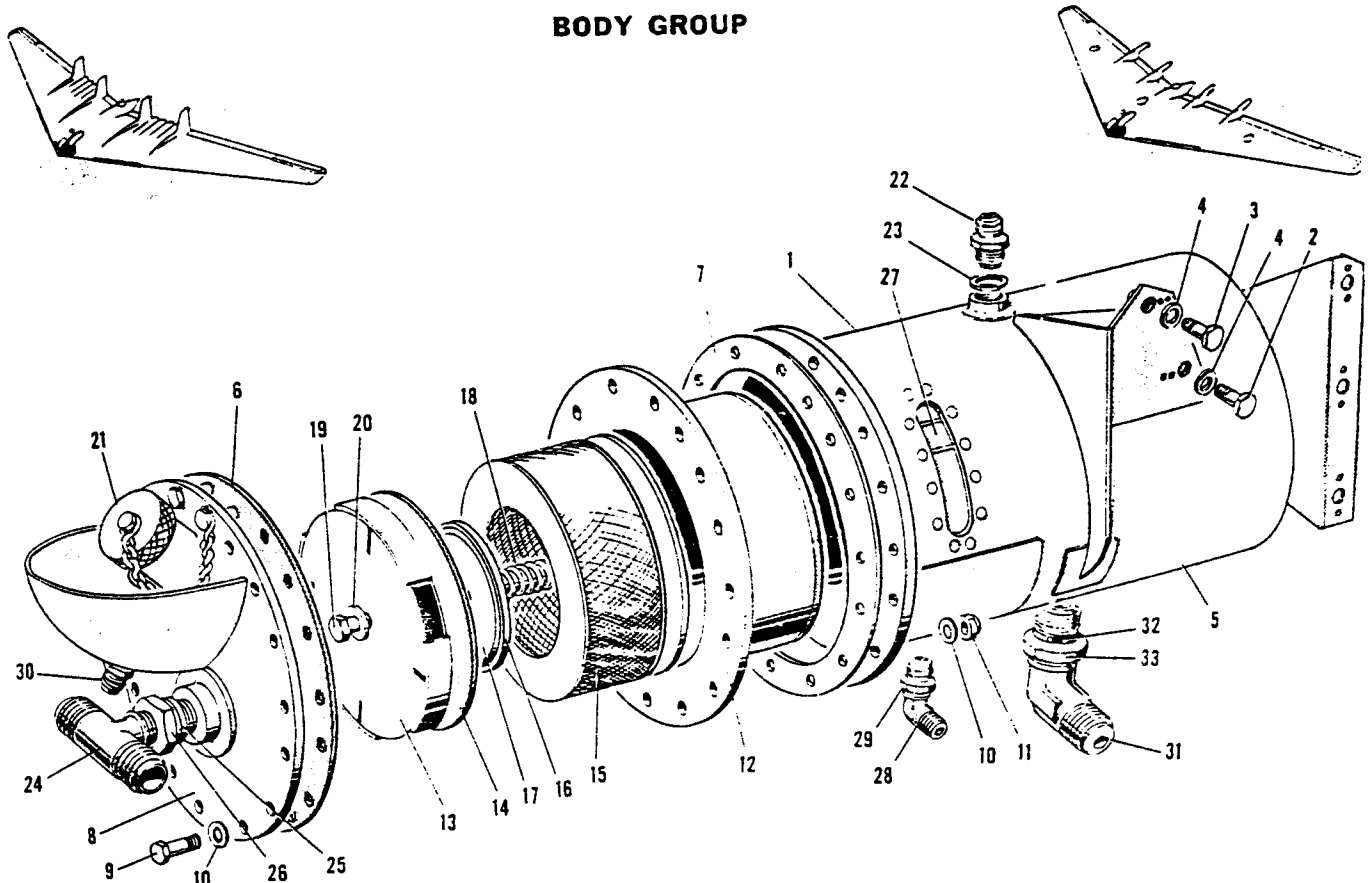


FIGURE 50—STEERING AND BRAKE RESERVOIR

FIGURE & INDEX NUMBER	PART NUMBER	NOMENCLATURE							UNITS PER ASSEM	USAGE CODE
		1	2	3	4	5	6	7		
50 - 1	553268	Reservoir Installation—Steering and brake (For next assembly see page 101)							NP	ALL
	552136	Reservoir Assembly—Steering and brake							1	ALL
		Attaching Parts								
2	AN3-5A	Bolt—Aircraft 10-32							4	ALL
3	AN3-7A	Bolt—Aircraft 10-32							1	ALL
4	AN960D10	Washer—Plain							5	ALL
5	552137	Tank Assembly—Steering and brake reservoir							1	ALL
6	452148	Gasket—Steering and brake reservoir cover							1	ALL
7	452147	Gasket—Steering and brake reservoir							1	ALL
8	552140	Cover Assembly—Steering and brake reservoir							1	ALL
		Attaching Parts								
9	AN3-11A	Bolt—Aircraft 10-32							18	ALL
10	AN960D10	Washer—Plain							36	ALL
11	AN365-1032	Nut—Self locking							18	ALL
12	552138	Support Assembly—Steering and brake reservoir							1	ALL
13	452139	Clamp Assembly—Steering and brake reservoir							1	ALL
14	AN6238-1	Gasket—Hydraulic replaceable filter element							2	ALL
15	AN6236-1	Filter Element—Hydraulic replaceable							1	ALL
16	152041	Plate—Hydraulic reservoir filter relief							1	ALL
17	AN6230-7	Gasket—"O" ring hydraulic							1	ALL
18	152203	Spring—Steering and brake relief valve							1	ALL
19	AN4-33A	Bolt—Aircraft 1/4-28							1	ALL
20	AN960D416	Washer—Plain							1	ALL
21	252097	Cap Assembly—Hydraulic reservoir filler							1	ALL
22	AN815-4D	Union—Flared tube							3	ALL
23	AN902-4	Gasket—Flared tube universal fitting							1	ALL
24	AN834-10D	Tee—Flared tube bulkhead and universal							1	ALL
25	AN902-10	Gasket—Flared tube universal fitting							1	ALL
26	AN924-10D	Nut—Flared tube universal fitting							1	ALL
27	252144	Window—Steering and brake reservoir fluid level sight							1	ALL
28	AN833-4D	Elbow—Flared tube bulkhead and universal							2	ALL
29	AN924-4D	Nut—Flared tube universal fitting							1	ALL
30	AN919-1D	Nipple—Pipe thread							1	ALL
31	AN833-12D	Elbow—Flared tube bulkhead and universal							1	ALL
32	AN902-12	Gasket—Flared tube universal fitting							1	ALL
33	AN924-12D	Nut—Flared tube universal fitting							1	ALL

BODY GROUP

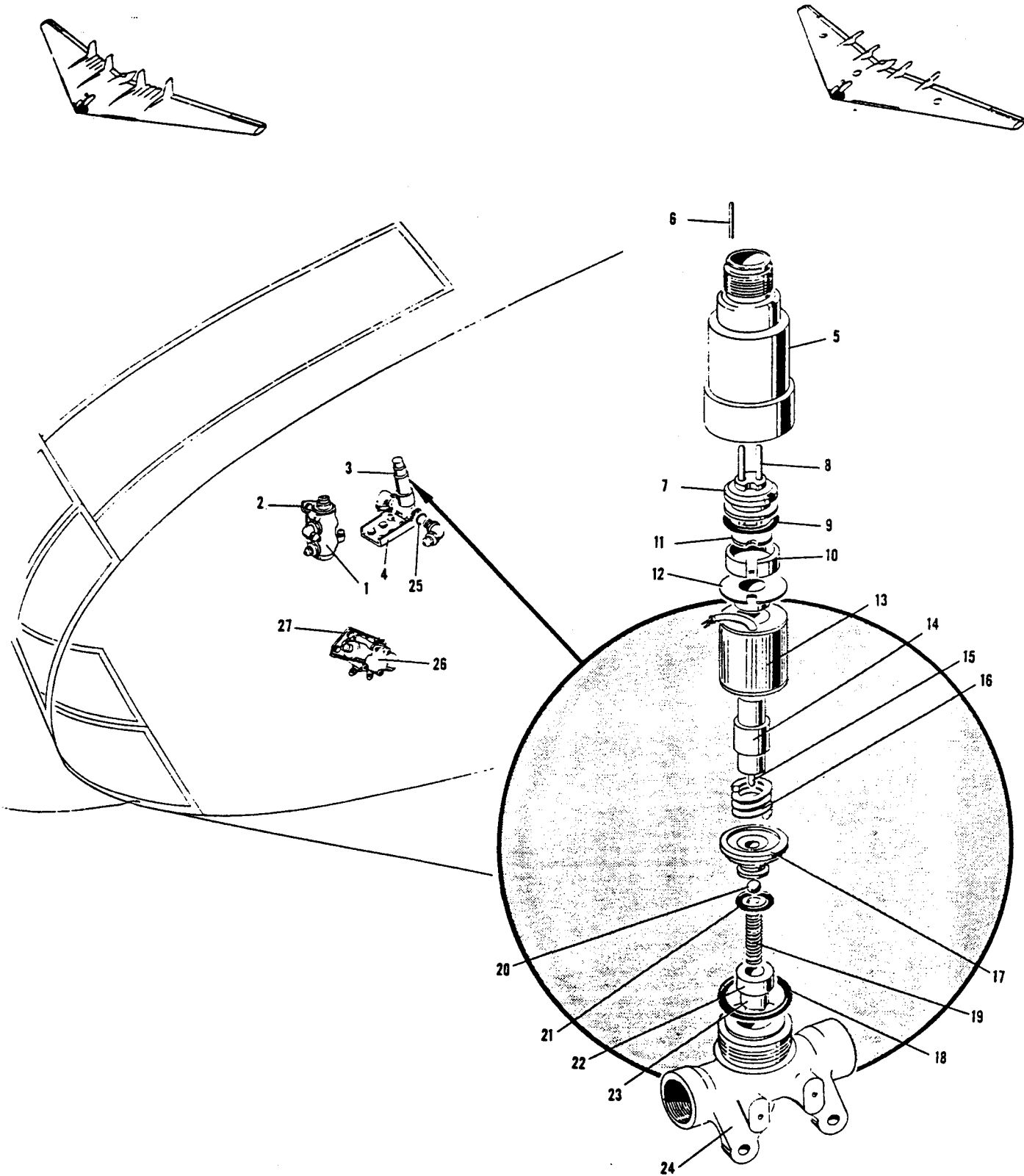


FIGURE 51—NOSE GEAR AND BRAKE MAGNETIC AND RELIEF VALVES

BODY GROUP
NOSE GEAR AND BRAKE MAGNETIC AND RELIEF VALVES

FIGURE & INDEX NUMBER	PART NUMBER	NOMENCLATURE							UNITS PER ASSEM	USAGE CODE
		1	2	3	4	5	6	7		
	553521	Valve Installation—Nose gear and brake magnetic and relief (For next assembly see page 101)							NP	ALL
51 - 1	E8051	Valve—Relief (VI)							1	ALL
2	253519	Bracket—Nose gear and brake system relief valve							1	ALL
		Attaching Parts								
	AN4-7A	Bolt—Aircraft 1 4-28							2	ALL
	AN4-11A	Bolt—Aircraft 1 4-28							2	ALL
	AN960D416	Washer—Plain							12	ALL
	AN365-428	Nut—Self locking							8	ALL
	AN3-13A	Bolt—Aircraft 10-32							4	ALL
	AN960D10	Washer—Plain							4	ALL
	AN365-1032	Nut—Self locking							4	ALL
	AN833-8	Elbow—Flared tube							1	ALL
	AN6227-12	Packing—"O" ring hydraulic							1	ALL
	AN924-8	Nut—Flared tube							2	ALL
	AN814-8D	Plug and Bleeder—Screw thread							1	ALL
	AN902-8	Gasket—Flared tube							3	ALL
	AN833-8D	Elbow—Flared tube							1	ALL
	AN924-8D	Nut—Flared tube							1	ALL
	AN919-15	Reducer—External thread flared tube							1	ALL
	AN6227-9	Packing—"O" ring hydraulic							4	ALL
3	559143	Valve Assembly—Normally closed electric shut-off							1	ALL
4	454803	Bracket Assembly—Brake magnetic valve							1	ALL
		Attaching Parts								
	AN3-4A	Bolt—Aircraft 10-32							4	ALL
	AN960D10	Washer—Plain							14	ALL
	AN365-1032	Nut—Self locking							6	ALL
	AN3-21	Bolt—Aircraft 10-32							2	ALL
5	459145	Retainer Assembly—Normally closed electric valve solenoid							1	ALL
	459145-2	Body—Normally closed electric valve solenoid retainer							1	ALL
6	259146	Pin—Normally closed electric valve retainer locating							1	ALL
7	459149	Contact Assembly—Normally closed electric valve							1	ALL
	459149-2	Body—Normally closed electric valve contact							1	ALL
8	259150	Pin—Normally closed electric valve contact							1	ALL
9	AN6227-12	Packing—"O" ring hydraulic							1	ALL
10	259155	Spacer—Normally closed electric valve contact							1	ALL
11	259157	Insulator—Normally closed electric valve solenoid							1	ALL
12	259156	Plate—Normally closed electric valve end							1	ALL
13	459154	Coil Assembly—Normally closed electric valve							1	ALL
14	259147	Plunger Assembly—Normally closed electric valve solenoid							1	ALL
	259147-2	Plunger—Normally closed electric valve solenoid							1	ALL
15	259148	Pin—Normally closed electric valve plunger							1	ALL
16	159160	Spring—Normally closed electric valve plunger							1	ALL
17	459158	Seat—Normally closed electric valve							1	ALL
18	AN6227-18	Packing—"O" ring hydraulic							1	ALL
19	159159	Spring—Normally closed electric valve							1	ALL
20	No Number	Ball—Steel (.125 diameter) (HOV)							1	ALL
21	AN6227-8	Packing—"O" ring hydraulic							1	ALL
	435600	Poppet Assembly—Normally closed electric valve							1	ALL
22	235602	Body—Electric valve poppet							1	ALL
23	235603	Sleeve—Electric valve poppet							1	ALL
24	559144	Body—Normally closed electric valve							1	ALL
	258537	Nameplate—Hydraulic unit flat							2	ALL
25	AN6227-10	Packing—"O" ring hydraulic							1	ALL
26	558509	Valve Assembly—Outer wing center section electric four way							1	ALL
27	454846	Bracket Assembly—Nose gear steering solenoid four way valve							1	ALL
		Attaching Parts								
	AN3-4A	Bolt—Aircraft 10-32							4	ALL
	AN960D10	Washer—Plain							8	ALL
	AN365-1032	Nut—Self locking							4	ALL
	AN919-12	Reducer—External thread flared tube							2	ALL
	AN815-8	Union—Flared tube							1	ALL
	AN837-8D	Elbow—Flared tube 45°							1	ALL

BODY GROUP

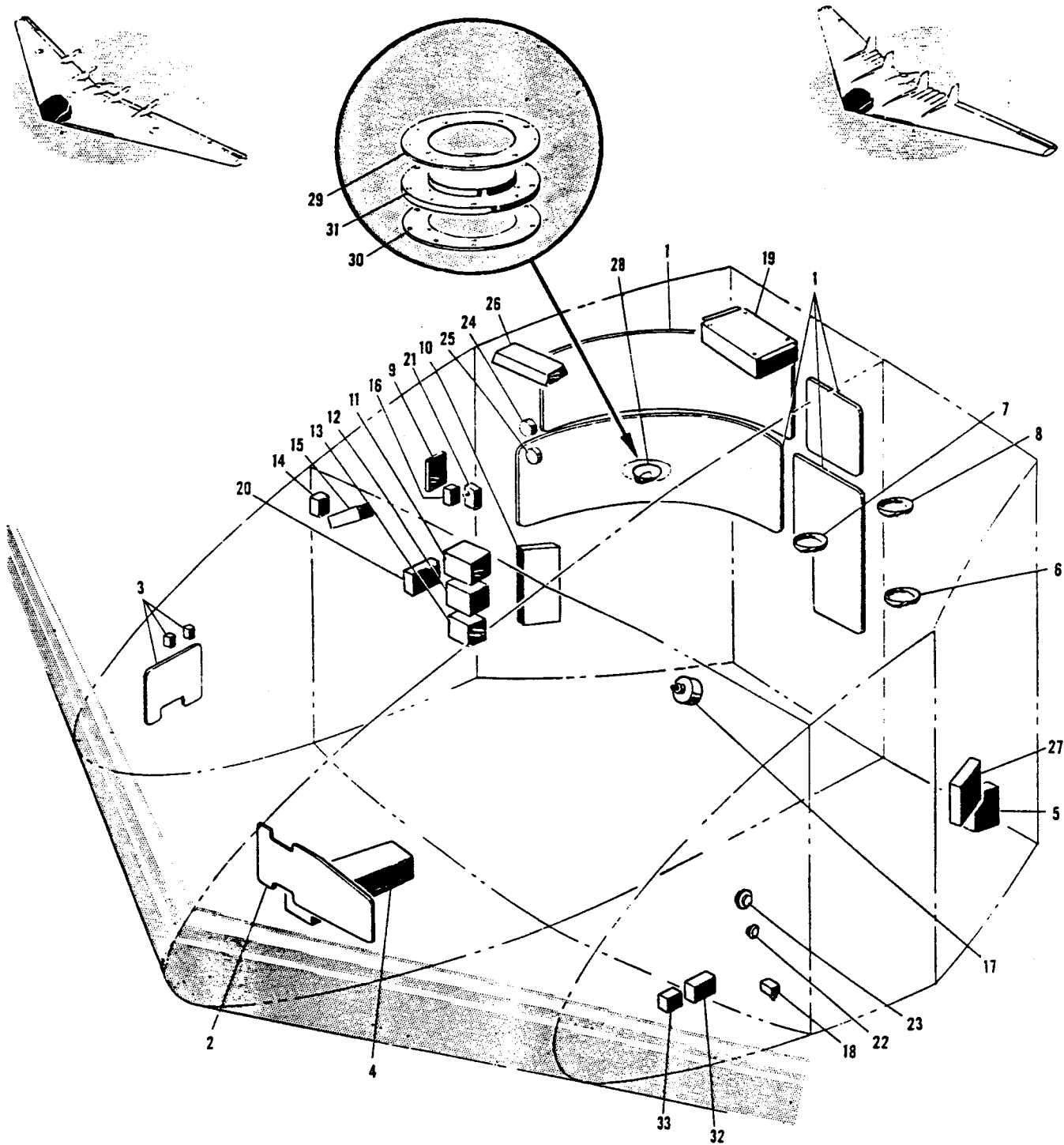


FIGURE 52—CREW NACELLE NOSE SECTION ELECTRICAL

BODY GROUP
CREW NACELLE NOSE SECTION ELECTRICAL

FIGURE & INDEX NUMBER	PART NUMBER	1	2	3	4	5	6	7	NOMENCLATURE	UNITS PER ASSEM	USAGE CODE
	551142								Electrical Installation—Crew nacelle nose section (For next assembly see page 97)	NP	ALL
52 - 1	551144								Panel Installation—Engineer's electrical (For detail breakdown see page 109)	NP	ALL
2	551146								Electrical Installation—Pilot's (For detail breakdown see page 111)	NP	ALL
3	551159								Electrical Installation—Bombardier's (For detail breakdown see page 113)	NP	ALL
4	551147								Pedestal Installation—Pilot's electrical (For detail breakdown see page 115)	NP	ALL
	551145								Electrical Installation—Radio operator's	NP	ALL
5	A82-593								Rheostat—Heater type Q-113 (AER 42-6950) (GFP)	1	ALL
6	558852								Lamp Installation—Type B-7A radio operator	NP	ALL
	558853								Lamp Assembly—Type B-7A extension	1	ALL
	No Number								Light—Extension type B-7A (PC)	1	ALL
7	558875								Lamp Installation—C-8 & C-4A radio operators	1	ALL
	No Number								Lamp Assembly—Type C-8 (Spec. 32451) (GMC)	2	ALL
	558970-14								Box Assembly—Crew nacelle fluorescent lamp resistor	1	ALL
	459022								Support Assembly—Resistor box	1	ALL
	560407								Support Assembly—Type C-8 and C-4A lamp	1	ALL
	No Number								Lamp Assembly—Type C-4A (LG)	1	ALL
8	558877								Lamp Installation—Left hand cabin	NP	ALL
	AN3037-3								Light Assembly—Cabin dome	1	ALL
	AN3133-311								Lamp—S11 bulb single contact candelabra bayonet base	1	ALL
	AN3022-2								Switch—3-hole mounting single pole toggle	1	ALL
	551143								Electrical Installation—Navigators	NP	ALL
9	452655								Panel Assembly—Navigators electrical	1	ALL
	AN3160-5								Circuit Breaker—Push button non trip free	1	ALL
	AN3160-10								Circuit Breaker—Push button non trip free	2	ALL
10	451342								Box Assembly—Auto pilot junction	1	ALL
11	CX3145B1								Amplifier—Main (GFP)	1	ALL
12	GX3145J1								Amplifier—Centering (GFP)	1	ALL
13	AN5753-1A								Amplifier—Gyro flux gate complete (GFP)	1	ALL
14	ENA100								Signal—Warning Type H-2 (AER 60-8575) (GFP)	1	ALL
15	GX3145M1								Box—Formation stick junction (GFP)	1	ALL
16	AN5756-2								Switch—Caging	1	ALL
	561134								Panel Installation—Navigator's lower electrical	NP	U
	561134-2								Panel Assembly—Navigator's lower electrical	1	U
	AN5756-2								Switch—Caging	1	U
	558360								Electrical Installation—Forward crew nacelle cabin air temperature thermistor	NP	DE
17	CYLD2269								Thermistor—Cabin (BCC)	1	DE
18	484677								Switch Installation—Nose wheel aft door up limit	NP	ALL
	MC2711								Actuator—Micro switch (MSC)	1	ALL
	BZ3YT								Switch—Micro (MSC)	1	ALL
19	560831								Panel Installation—Propeller control relay	NP	X
	560830								Panel Assembly—Propeller control relay complete	1	X
	560829								Panel Assembly—Propeller control relay	1	X
	1257-894								Relay (LR)	4	X
	NS47E								Relay (ELP)	4	X
	NS47EK								Relay (ELP)	4	X
	NS43A								Relay (ELP)	12	X
20	560880								Panel Installation—Propeller de-icer control relay	NP	X
	560879								Panel Assembly—Propeller de-icer control relay	1	X
21	461612								Timer Installation—Propeller de-icer	NP	X
	72010								Timer—Hamilton standard propeller (GFP)	1	X
22	BDS1354A								Plug—Pressurized (TOM)	4	ALL
23	BDS1354B								Plug—Pressurized (TOM)	1	ALL
	255064								Gasket—Small pressurized electrical plug	1	ALL
	255065								Gasket—Large pressurized electrical plug	4	ALL
	255066								Shield—Large pressurized electrical plug	1	ALL
	255067								Shield—Small pressurized electrical plug	4	ALL
	560351								Lamp Installation—Engineers C-8 & C-4A	NP	ALL
24	No Number								Lamp Assembly—Type C-8 (GMC)	1	ALL
25	No Number								Lamp Assembly—Type C-4A (LG)	1	ALL
26	558970-50								Box Assembly—Crew nacelle fluorescent lamp resistor	1	ALL
	558171								Box Installation—Cabin air temperature control	NP	DE
27	CYLZ2315								Box—Control (AP)	15	DE
	666-3								Clip—Harness (AP)	15	ALL
	666-6								Clip—Harness (AP)	15	ALL
	666-8								Clip—Harness (AP)	15	ALL
28	AN3030-9								Light Assembly—Circular formation	1	ALL
	AN3040-1								Cover—Circular formation light	1	ALL
	AN3121-313								Lamp—T3-1/4 bulb single contact miniature bayonet base	1	ALL
29	256193								Gasket—Forward crew nacelle formation light window	1	ALL
30	256194								Shield—Forward crew nacelle formation light	1	ALL
31	256195								Window—Forward crew nacelle formation light	1	ALL
	560750								Flasher Installation—Navigation lamps	NP	U
32	450250								Flasher Assembly—Navigation lamps (GFP)	1	U
33	44B18638								Control—Flasher (GFP)	1	U

RESTRICTED
AN 01-15EAA-4
BODY GROUP

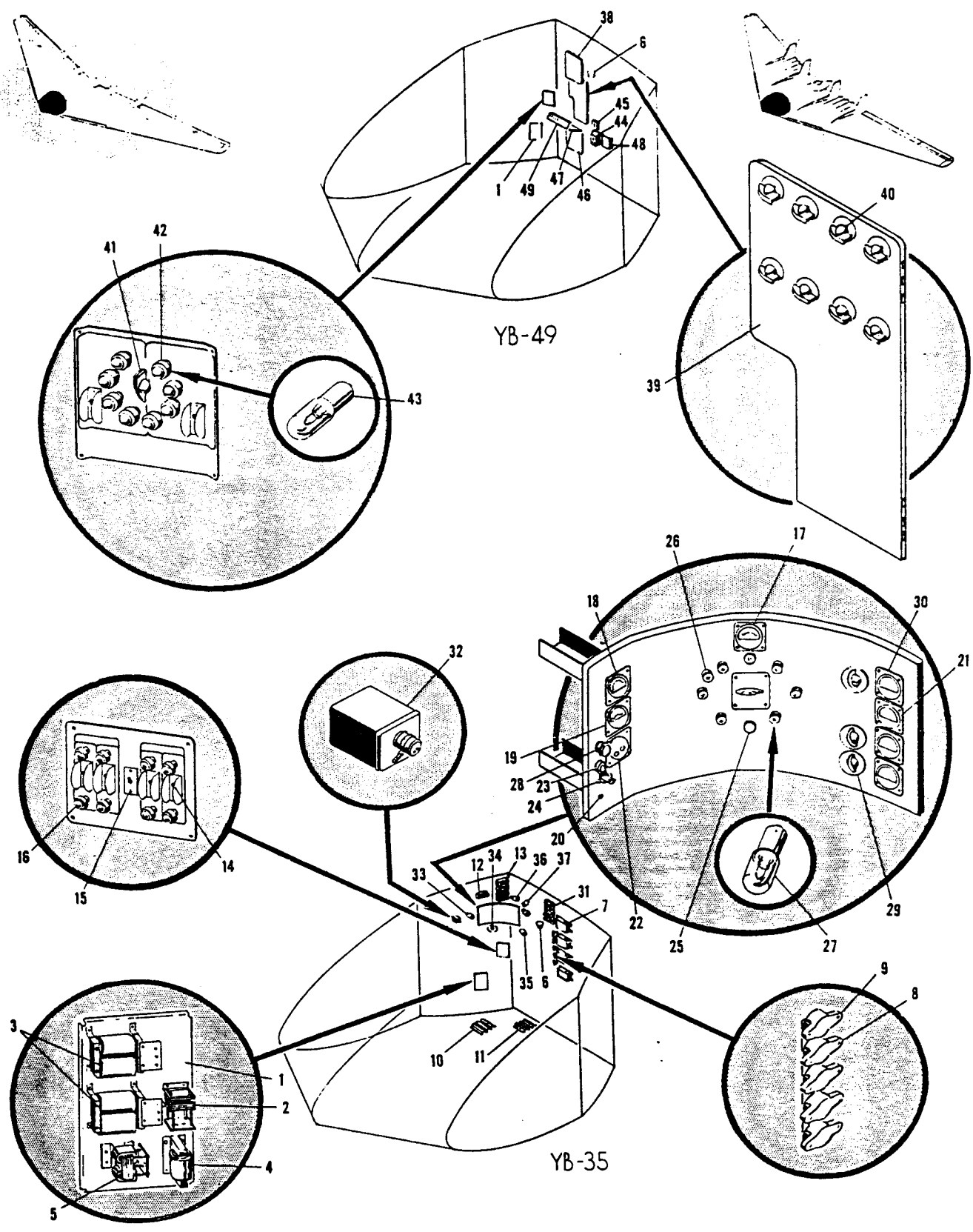


FIGURE 53—ENGINEER'S ELECTRICAL PANEL

RESTRICTED

BODY GROUP
ENGINEER'S ELECTRICAL PANEL

FIGURE & INDEX NUMBER	PART NUMBER	1	2	3	4	5	6	7	NOMENCLATURE	UNITS PER ASSEM	USAGE CODE
53 - 1	551144								Panel Installation—Engineer's electrical (For next assembly see page 107)	NP	ALL
	554669								Panel Assembly—Engineer's transformer	1	T
	561421								Panel Assembly—Engineer's transformer	1	U
	2	70G151							Transformer (GE)	1	ALL
	3	70G81							Transformer (GE)	2	ALL
	4	70G77							Transformer (GE)	1	ALL
	5	70G159							Transformer (GE)	1	ALL
		NS47E							Relay (ELP)	2	ALL
	6	No Number							Bell—Alarm (Spec. 50291B)	1	ALL
	7	32511A							Regulator—Voltage (GFP)	*4	ALL
		559268							Dimmer Installation—Engineer's AC panel DC	NP	ALL
	8	PLA35							Circuit Breaker—Klixon (SPT)	4	ALL
	9	PLA50							Circuit Breaker—Klixon (SPT)	1	ALL
	10	554167							Grid Assembly—AC terminals	1	ALL
		F1L30							Dimmer (BE)	18	ALL
		F3H1							Base—Dimmer (BE)	11	ALL
	11	552879							Grid Assembly—Small terminal	1	ALL
	12	AVR10							Circuit Breaker (GFP)	1	ALL
		F1L50							Dimmer (BE)	36	ALL
		F3H2							Base—Dimmer (BE)	16	ALL
		F1L10							Dimmer (BE)	6	ALL
		F1L20							Dimmer (BE)	3	ALL
		F1L40							Dimmer (BE)	12	ALL
		559559							Panel Assembly—Engineer's AC circuit breaker complete	1	ALL
	13	AVR10							Circuit Breaker (GFP)	4	ALL
		560998							Panel Assembly—Flight engineer's fire extinguisher control	1	X
	14	AN3023-7							Switch—3-hole mounting double pole toggle	4	X
	15	CH8886K1							Switch—(CUT)	1	X
	16	44A18454-9							Lamp Assembly	8	X
		A82-593							Rheostat—Suit heater (GFE) (Spec. 94-32357 Type Q-1B)	1	X
		552795							Panel Assembly—Flight engineer's AC switch complete	1	X
	17	8AW43Z341							Wattmeter—(Type A-1) (GFP)	2	X
	18	8AW43Z344							Voltmeter—(Type C-2) (GFP)	1	X
	19	8AW43Z342							Meter—Frequency (Type A-1) (GFP)	1	X
20	K1015947-30							Resistor—Varmeter (GFP)	2	X	
21	AN3201A3G0							Ammeter—Direct current	3	X	
22	No Number							Indicator—Phase sequence (GFP) (TSEPL 3F5-39)	1	X	
	459249							Switch Installation—AC control voltage frequency selector	1	X	
23	1JR8							Switch—Rotor (Type JR) (Arkless Switch Corp., Watertown, Conn.)	1	X	
	AN3227-3							Switch—3-hole mounting 4 pole toggle	2	X	
	AN3023-10							Switch—3-hole mounting double pole toggle	2	X	
	AN3022-7							Switch—3 hole mounting single pole toggle	4	X	
	AN3021-7							Switch—1 hole mounting single pole toggle	9	X	
	AN3160-5							Circuit Breaker—Single pole non trip free	3	X	
	0572B							Resistor—50 watt (Code D1VC1) (OM)	2	X	
	6102							Bracket—Mounting resistor (OM)	1	X	
	6000							Washer—Centering (OM)	4	X	
	AN3155-25-100							Rheostat (Spec. 23953) (G.F.P.)	2	X	
	AN3155-25-125							Rheostat—Aircraft power (G.F.P.)	4	X	
	6010							Washer—Mica insulating (OM)	4	X	
24	AN3029-11							Light Assembly—Ungrounded indicator	2	X	
25	44A18454-2							Light Assembly	8	X	
26	44A18454-4							Light Assembly	1	X	
27	AN3121-313							Lamp—T-3 1 4 bulb single contact miniature bayonet base	11	X	
28	AN3029-6							Light Assembly—Ungrounded indicator	2	X	
	AN3211-1							Switch—Selector	1	X	
29	AN3155-25-11							Rheostat—Aircraft power	3	X	
30	AN3203V30							Voltmeter—Direct current (Type B-1)	1	X	
31	554151							Panel Assembly—Crew nacelle D.C. power distribution	1	ALL	
	PLA50							Circuit Breaker (SPT)	2	ALL	
	PLA105							Circuit Breaker (SPT)	1	ALL	
	PLA80							Circuit Breaker (SPT)	1	ALL	
	F3H1							Base—Dimmer (BE)	13	ALL	
	F3H2							Base—Dimmer (BE)	3	ALL	
	F1L10							Dimmer (BE)	3	ALL	
	F1L20							Dimmer (BE)	9	ALL	
	F1L30							Dimmer (BE)	27	ALL	
	F1L40							Dimmer (BE)	9	ALL	
	F3H2							Base—Dimmer (BE)	8	ALL	
	F1L50							Dimmer (BE)	24	ALL	
	558851							Lamp Installation—Type B-7A engineer's	NP	ALL	
32	558853							Lamp Assembly—B-7A extension	1	ALL	
	No Number							Light—Extension (Type B-7A Spec. 94-32228B) (PC)	1	ALL	
33	558967							Lamp Installation—Type C-8 & C-4A engineer's	NP	ALL	
	No Number							Lamp Assembly (Type C-8) (GMC)	3	ALL	
	No Number							Lamp Assembly (Type C-4A) (LG)	1	ALL	
	458969							Bracker—Type C-8 lamp	1	ALL	
34	558878							Lamp Installation—Right hand cabin	NP	ALL	

*Note 4 on YB-49 airplanes, 2 on YB-35 airplanes.

Section II
Group Assembly Parts List

RESTRICTED
AN 01-15EAA-4

BODY GROUP
ENGINEER'S ELECTRICAL PANEL

FIGURE & INDEX NUMBER	PART NUMBER	NOMENCLATURE	UNITS PER ASSEM	USAGE CODE
		1 2 3 4 5 6 7		
	AN3037-3	Light Assembly—Cabin dome	1	ALL
	AN3133-311	Lamp—S-11 bulb single contact candelabra bayonet base	1	ALL
	AN3022-2	Switch—3 hole mounting single pole toggle	1	ALL
53 - 35	558962	Lamp Installation—Type C-4A engineer's	NP	ALL
	No number	Lamp Assembly—Type C-4A (LG)	1	ALL
36	558968	Lamp Installation—Type C-8 engineer's Nos. 1 & 2	NP	ALL
	No Number	Lamp Assembly—Type C-8 (GMC)	2	ALL
37	558966	Lamp Installation—Type C-8 engineer's No. 5	NP	ALL
	No Number	Lamp Assembly—Type C-8 (GMC)	1	ALL
38	557290	Panel Assembly—Flight engineer's upper electrical complete	1	DE
	11S4	Switch—Rotary selector (LEN)	8	DE
	AN3160-5	Circuit Breaker—Single pole non trip free	11	DE
	AN3160-10	Circuit Breaker—Single pole non trip free	3	DE
	AN3160-15	Circuit Breaker—Single pole non trip free	5	DE
	AN3160-20	Circuit Breaker—Single pole non trip free	1	DE
	AN3022-2	Switch—3 hole mounting single pole toggle	2	DE
	AN3022-3	Switch—3 hole mounting single pole toggle	1	DE
	AN3022-7	Switch—3 hole mounting single pole toggle	16	DE
	AN3023-3	Switch—3 hole mounting double pole toggle	2	DE
39	557780	Panel Assembly—Flight engineer's lower electrical complete	1	DE
	AN3160-10	Circuit Breaker—Single pole non trip free	3	DE
	AN3160-5	Circuit Breaker—Single pole non trip free	3	DE
	AN3022-2	Switch—3 hole mounting single pole toggle	26	DE
	AN3022-3	Switch—3 hole mounting single pole toggle	17	DE
	458555	Switch Assembly—Fuel selector valve engine No. 1	1	DE
	458556	Switch Assembly—Fuel selector valve engine No. 2	1	DE
	458557	Switch Assembly—Fuel selector valve engine No. 3	1	DE
	458558	Switch Assembly—Fuel selector valve engine No. 4	1	DE
	458559	Switch Assembly—Fuel selector valve engine No. 5	1	DE
	458560	Switch Assembly—Fuel selector valve engine No. 6	1	DE
	458561	Switch Assembly—Fuel selector valve engine No. 7	1	DE
	458562	Switch Assembly—Fuel selector valve engine No. 8	8	DE
40	CR1070F116E	Switch—Fuel selector (GE)	1	DE
	557999	Panel Assembly—Flight engineer's fire extinguisher	1	DE
41	558160	Switch Assembly—Fire extinguisher	1	DE
	CR1070F116M	Switch (GE)	8	DE
42	44A18454-9	Lamp Assembly	8	DE
43	AN3121-313	Lamp—T-3 1/4 bulb single contact miniature bayonet base	2	DE
	AN3022-7	Switch—3 hole mounting single pole toggle	2	DE
	AN3022-11	Switch—3 hole mounting single pole toggle	1	DE
	556593	Panel Assembly—Auxiliary power unit engineer's A.C. control complete	2	DE
	AN3155-25-25	Rheostat—Aircraft power	2	DE
	8AW43Z344	Voltmeter—Type C-2 (GFP)	2	DE
	8AW43Z341	Wattmeter—Type A-1 (GFP)	2	DE
	8AW43A343	Ammeter—A.C. (GFP)	3	DE
	8AW43Z342	Meter—Frequency (GFP)	1	DE
	AN5530-2	Tachometer (GFP)	1	DE
	AN3160-5	Circuit Breaker—Single pole non trip free	3	DE
	AN3022-2	Switch—3 hole mounting single pole toggle	2	DE
	AN3022-9	Switch—3 hole mounting single pole toggle	9	DE
	AN3022-3	Switch—3 hole mounting single pole toggle	6	DE
	AN3022-8	Switch—3 hole mounting single pole toggle	8	DE
	AN3022-7	Switch—3 hole mounting single pole toggle	2	DE
	CH8888K1	Switch—(CUT)	3	DE
	9300	Light Assembly—Pilot's ("DIALCO") (DLC)	3	DE
	10S610	Lamp—Mazda (GE)	4	DE
	44A18454-5	Lamp Assembly	2	DE
	44A18454-6	Lamp Assembly	4	DE
	44A18454-7	Lamp Assembly	10	DE
	AN3121-313	Lamp—T-3 1/4 bulb single contact miniature bayonet base	2	DE
	H42A8107	Holder—Fuse	2	DE
	414001	Fuse—Lamp (LTF)	1	DE
	459297	Rod Assembly—A.C. panel RH support	NP	DE
	558106	Electrical Installation—Throttle controls cabin & suit heater rheostats	1	DE
44	AB2-593	Rheostat—Heated clothing (Type Q-1B) (Spec. 94-3257A) (GFP)	1	DE
45	BYLZ2292	Rheostat (BCC)	1	DE
46	558247	Panel Assembly—Throttle control relay lower	1	DE
47	558246	Panel Assembly—Throttle control relay upper	16	DE
	5	Bracket—Resistor mounting (OM)	8	DE
	2028W	Relay (LR)	2	DE
	ND47E	Relay (ELP)	16	DE
	CR2791B109K3	Relay (GE)	8	DE
	1009NOTCA	Resistor—10 watt 100 ohm (OM)	1	DE
48	460725	Panel Assembly—Pilot's throttle control relay	8	DE
	1257-894	Relay (LR)	NP	DE
	557827	Electrical Installation—Engineer's throttle control switch panel	1	DE
49	557827-8	Panel Assembly—Engineer's throttle control switch	1	DE
	24-1164-2	Extension—Lever (CUT)	9	DE
	AN3023-7	Switch—3 hole mounting double pole toggle	1	ALL
	666-4	Clip—Harness (AP)	1	ALL
	666-6	Clip—Harness (AP)	2	ALL
	666-7	Clip—Harness (AP)	1	ALL
	666-9	Clip—Harness (AP)	1	ALL

BODY GROUP

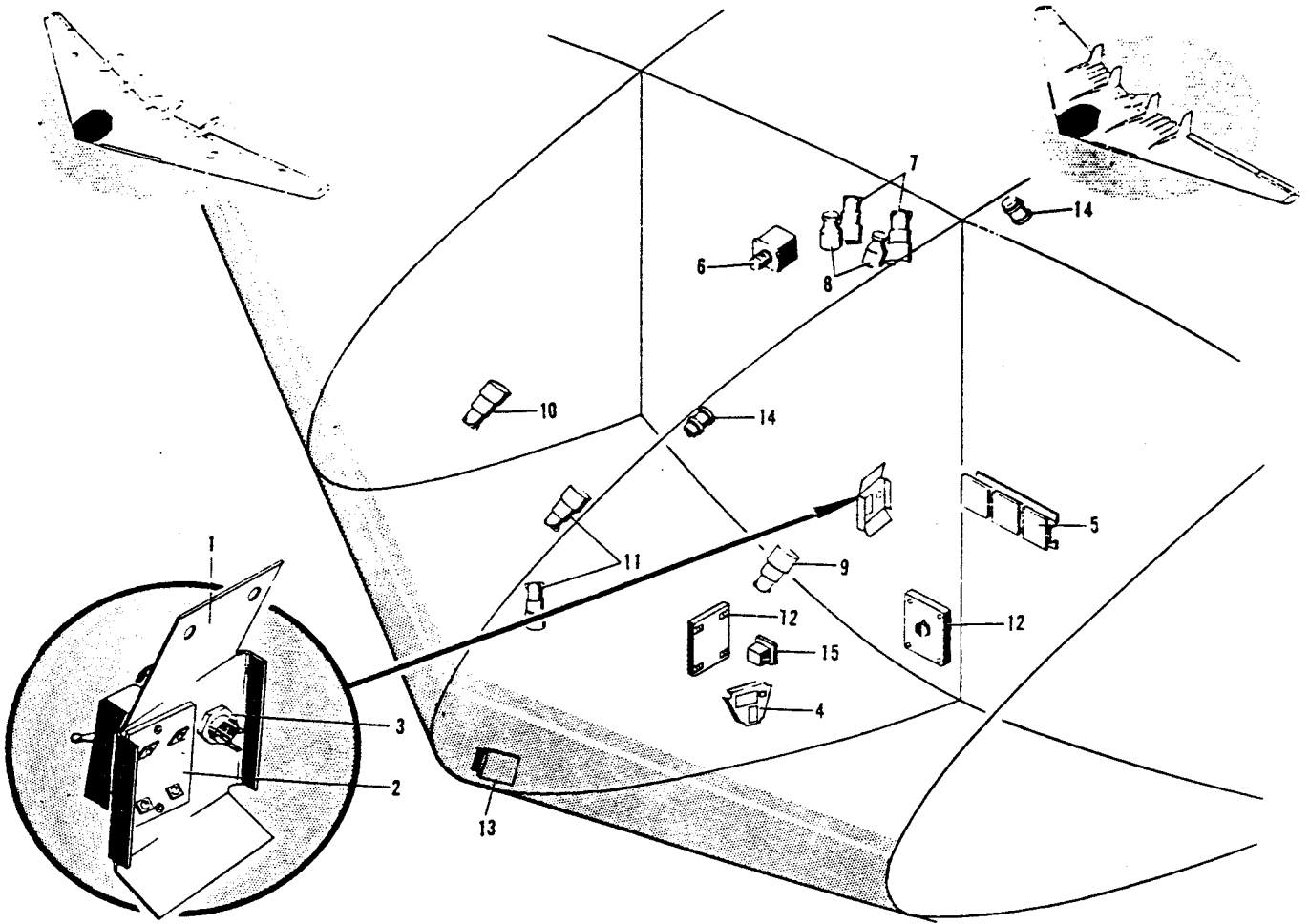


FIGURE 54—PILOT'S ELECTRICAL

PILOT'S ELECTRICAL

FIGURE & INDEX NUMBER	PART NUMBER	NOMENCLATURE	UNITS PER ASSEM	USAGE CODE
		1 2 3 4 5 6 7		
		Electrical Installation—Pilot's (For next assembly see page 107).....	NP	ALL
54 - 1	551146	Panel Assembly—Pilot's emergency bomb release switch.....	1	ALL
	555049	Switch—3 hole mounting double pole toggle.....	1	ALL
2	AN3023-2	Light Assembly—Indicator.....	1	ALL
3	44A18454-9	Lamp—T-3 1/4 bulb single contact miniature bayonet base.....	1	ALL
	AN3121-313	Panel Assembly—Steering and brake.....	1	ALL
4	455100	Relay—(LR).....	2	ALL
	B5A	Relay—(ELP).....	1	ALL
	NS43A	Relay—(ELP).....	1	ALL
	NS47EK	Relay—(ELP).....	1	ALL
5	456149	Panel Assembly—Forward armament D.C. limiter.....	3	ALL
	F3H2	Base—Limiter (BE).....	9	ALL
	F1L40	Limiter (BE).....	NP	ALL
	558850	Lamp Installation—Type B-7A forward.....	1	ALL
6	558853	Lamp Assembly—B-7A extension.....	1	ALL
	No Number	Light—Extension (Type B-7A) (Spec. 94-32228B) (PC).....	NP	ALL
	558906	Lamp Installation—Pilot's and co-pilot's pedestal instruments.....	2	ALL
7	No Number	Lamp Assembly—Type C-8 (Spec. 32451) (GMC).....	2	ALL
8	No Number	Lamp Assembly—Type C-4A (Spec. 94-32294) (LG).....	NP	ALL
9	558935	Lamp Installation—Type C-8 Pilot's panel No. 1.....	NP	ALL
10	558949	Lamp Installation—Type C-8 Pilot's forward.....	NP	ALL
11	560344	Lamp Installation—Type C-8 Pilot's panel No. 2.....	4	ALL
	No Number	Lamp Assembly—Type C-8 (Spec. 32451) (GMC).....	2	ALL
12	A82-593	Rheostat—Type Q-1B (AER 42-6950) (GFP).....	1	ALL
13	649	Relay—(CUT).....	2	ALL
14	No Number	Signal—Warning type J-2 (Spec. 32462) (EDW).....	1	ALL
15	1257-563	Relay (LR).....	18	ALL
	666-1	Clip—Harness (AP).....	1	ALL
	666-4	Clip—Harness (AP).....	10	ALL
	666-6	Clip—Harness (AP).....	1	ALL
	666-7	Clip—Harness (AP).....		

BODY GROUP

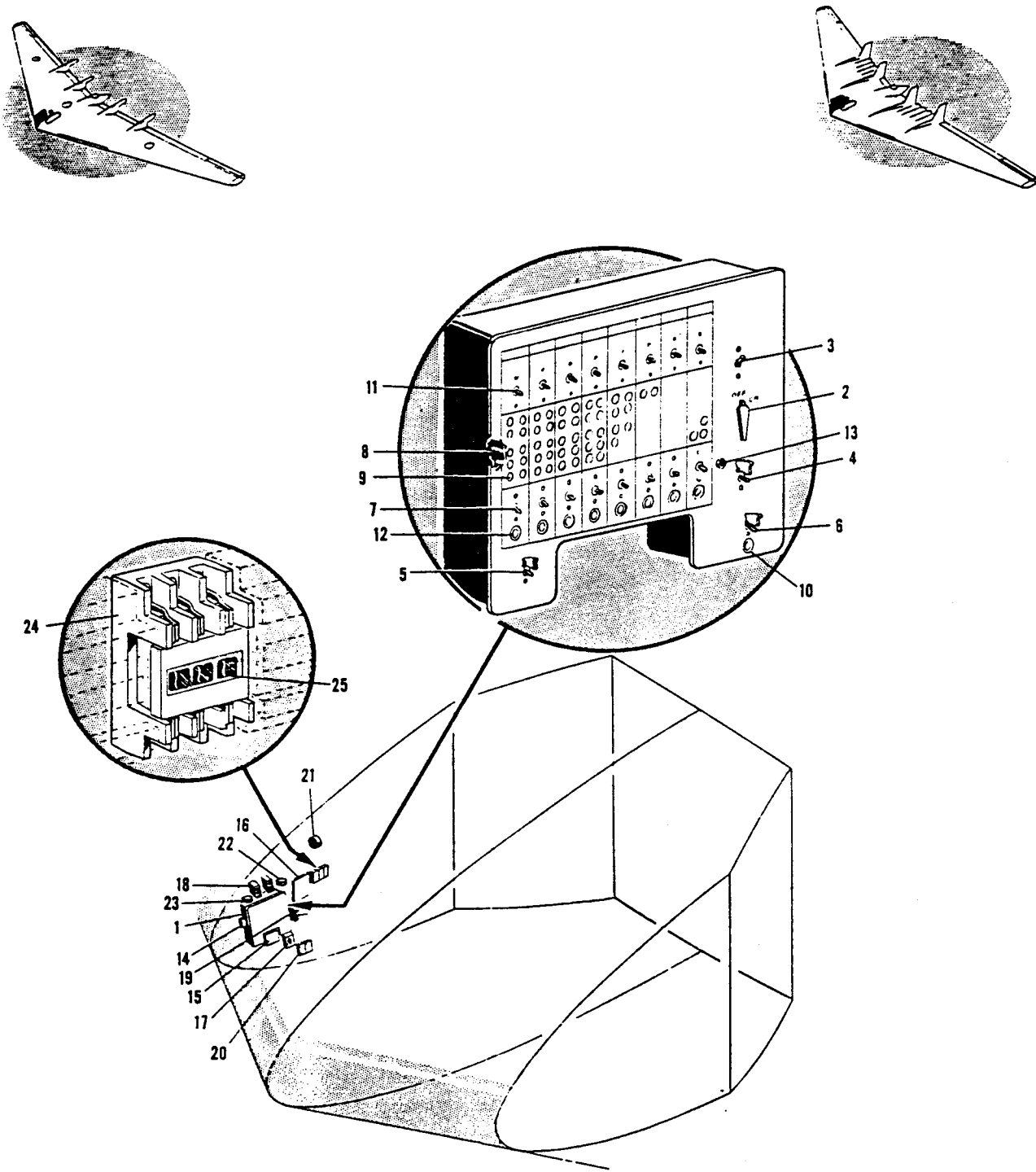


FIGURE 55—BOMBARDIER'S ELECTRICAL

RESTRICTED

BODY GROUP
BOMBARDIER'S ELECTRICAL

FIGURE & INDEX NUMBER	PART NUMBER	NOMENCLATURE							UNITS PER ASSEM	USAGE CODE
		1	2	3	4	5	6	7		
	551159	Electrical Installation—Bombardier's (For next assembly see page 107).....							NP	ALL
	550985	Panel Assembly—Bombardier's electrical control.....							1	ALL
55 - 1	550985-2	Panel Assembly—Bombardier's electrical control.....							1	ALL
	550959	Panel—Bombardier's electrical control.....							1	ALL
2	554098	Switch—Bombardier's indicator light.....							1	ALL
	TLS88	Switch (MAL).....							1	ALL
3	AN3023-10	Switch—3-hole mounting double pole toggle.....							1	ALL
4	AN3022-2	Switch—3-hole mounting single pole toggle.....							3	ALL
5	9300-100B	Circuit Breaker (SQ).....							1	ALL
6	AN3023-2	Switch—3-hole mounting double pole toggle.....							1	ALL
7	CH8884K3	Switch—(CUT).....							8	ALL
8	319	Lamp—(GE).....							80	ALL
9	40A7419-1	Lamp—Indicator.....							80	ALL
	AN3054-3	Nut—Coupling conduit.....							1	ALL
10	44A18454-9	Lamp—Indicator.....							1	ALL
11	CH8882K3	Switch—(CUT).....							16	ALL
12	44A1854-2	Lamp Assembly.....							9	ALL
	AN3121-313	Lamp—T-3 1/4 bulb single contact miniature bayonet base.....							10	ALL
	44A18454-4	Lamp Assembly.....							1	ALL
13	No Number	Resistor—No. 3 terminals type C mounting (15 ohm 35 watt type ET) (IRC).....							1	ALL
14	457736	Support Assembly—Bombardier's windshield wiper switch.....							1	ALL
	AN3160-10	Circuit Breaker—Single pole non trip free.....							1	ALL
	550985-4	Box Assembly—Bombardier's electrical control junction.....							1	ALL
15	No Number	Intervalometer—Type B-3A (GFP).....							1	ALL
16	561700	Panel Assembly—Bombardier's relay.....							1	ALL
	561696	Support—Bombardier's relay.....							1	ALL
	2028W-EAU	Relay (LR).....							2	ALL
	NS47EK	Relay (ELP).....							2	ALL
	NS43A	Relay (ELP).....							1	ALL
	NS47E	Relay (ELP).....							1	ALL
17	A82-593	Rheostat—Type Q-1B (GFP).....							1	ALL
18	RS2	Rack—Selector (MAL).....							4	ALL
19	43B16094	Switch and Cord Assembly—Type D-2 (GFP).....							1	ALL
20	2419-480	Relay—(LR).....							2	ALL
21	No Number	Bell—Alarm (Spec. 50291) (GFP).....							1	ALL
	458854	Lamp Installation—Type C-8 bombardiers.....							NP	ALL
22	No Number	Lamp Assembly—Type C-8 (GMC).....							1	ALL
	458855	Lamp Installation—Type C-4A bombardiers.....							NP	ALL
23	No Number	Lamp Assembly—Type C-4A (LG).....							1	ALL
24	F3H1	Base—Limiter (BE).....							3	ALL
25	FIL20	Limiter—(BE).....							9	ALL

BODY GROUP

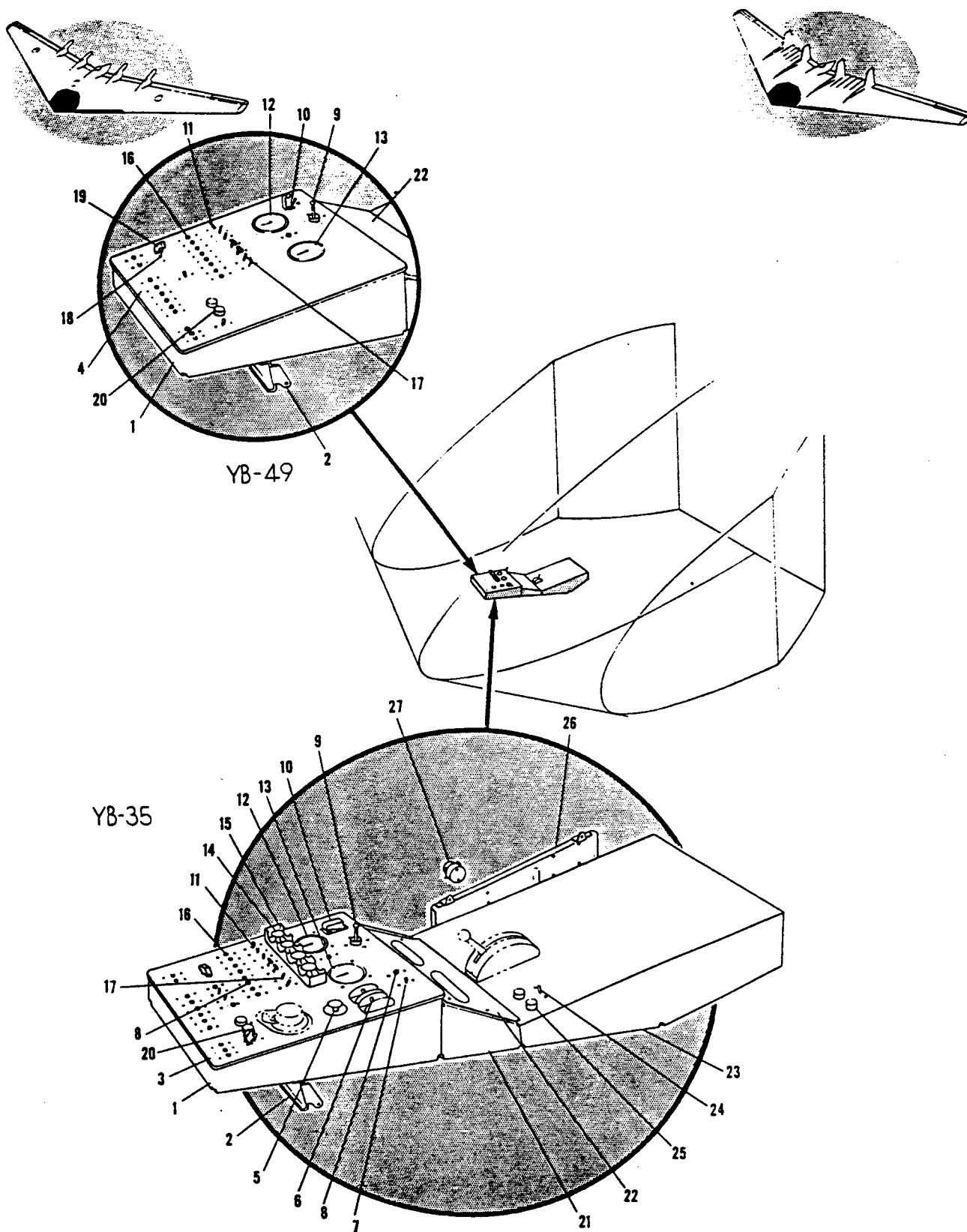


FIGURE 56—PILOT'S ELECTRICAL PEDESTAL

RESTRICTED

BODY GROUP
PILOT'S ELECTRICAL PEDESTAL

FIGURE & INDEX NUMBER	PART NUMBER	1	2	3	4	5	6	7	NOMENCLATURE	UNITS PER ASSEM	USAGE CODE
	551147	Pedestal Installation—Pilot's electrical (For next assembly see page 107)							NP	ALL	
56 - 1	552546	Shield Assembly—Pilot's pedestal electrical							1	ALL	
2	452455	Support—Pilot's pedestal electrical shield forward							1	ALL	
	452461	Support—Pilot's pedestal electrical shield rear							1	ALL	
	552409	Panel Assembly—Pilot's pedestal electrical complete							1	X	
	557386	Panel Assembly—Pilot's pedestal electrical complete							1	DE	
3	552415	Panel Assembly—Pilot's pedestal electrical							1	X	
4	557385	Panel Assembly—Pilot's pedestal electrical							1	DE	
5	453956	Switch Assembly—Pilot's pedestal panel ignition crash							1	X	
	A852	Switch—(PLL)							1	X	
6	AN3227-3	Switch—3-hole mounting four pole toggle							2	X	
7	AN3023-2	Switch—3-hole mounting double pole toggle							2	X	
8	AN3161-10	Circuit Breaker—Push button non trip free							1	X	
9	8916K657	Switch Assembly—(CUT)							1	ALL	
10	49-1475-2	Guard—(CUT)							1	ALL	
11	AN3022-1	Switch—3-hole mounting single pole toggle							5	ALL	
12	8DJ17ABM	Position Indicator—(GE)							1	ALL	
13	8DJ17ABL	Position Indicator—(GE)							1	ALL	
14	67372-1	Switch—Hamilton Standard Propeller (GFP)							4	X	
15	559428	Guard Assembly—Pilot's feathering switches complete							1	X	
	AN3161-5	Circuit Breaker—Push button non trip free							1	ALL	
	AN3022-2	Switch—3-hole mounting single pole toggle							1	ALL	
	AN3022-15B	Switch—3-hole mounting single pole toggle							1	ALL	
	AN3022-4B	Switch—3-hole mounting single pole toggle							1	ALL	
	AN3161-10	Circuit Breaker—Push button non trip free							3	ALL	
16	AN3161-5	Circuit Breaker—Push button non trip free							13	ALL	
17	AN3022-2	Switch—3-hole mounting single pole toggle							2	ALL	
	AN3028-2	Guard—Toggle switch and switch breaker							1	ALL	
	AN3022-1	Switch—3-hole mounting single pole toggle							1	U	
	AN3226-2	Switch—3-hole mounting three pole toggle							1	U	
18	AN3022-2	Switch—3-hole mounting single pole toggle							1	DE	
19	49-1356-2	Guard—Switch (CUT)							1	DE	
20	44A18454-2	Lamp Assembly							2	ALL	
	AN3161-15	Circuit Breaker—Push button non trip free							1	X	
	AN3161-35	Circuit Breaker—Push button non trip free							2	ALL	
	AN3161-20	Circuit Breaker—Push button non trip free							1	ALL	
21	459718	Support Assembly—Pilot's pedestal equipment intermediate LH							1	T	
	459719	Support Assembly—Pilot's pedestal equipment intermediate RH							1	T	
	560847	Support Assembly—Pilot's pedestal radio							1	U	
22	459731	Panel Assembly—Pilot's pedestal equipment intermediate							1	T	
23	552496	Support Assembly—Pilot's pedestal equipment							1	T	
	560865	Support Assembly—Pilot's pedestal equipment							1	U	
24	AN3022-7	Switch—3-hole mounting single pole toggle							1	T	
25	44A18454-4	Lamp Assembly							2	T	
	AN3121-313	Lamp—T 3 1.4 bulb single contact miniature bayonet base							2	T	
26	552374	Panel Assembly—Complete pedestal relay and terminal							1	ALL	
	ND47E	Relay—(ELP)							3	X	

BODY GROUP

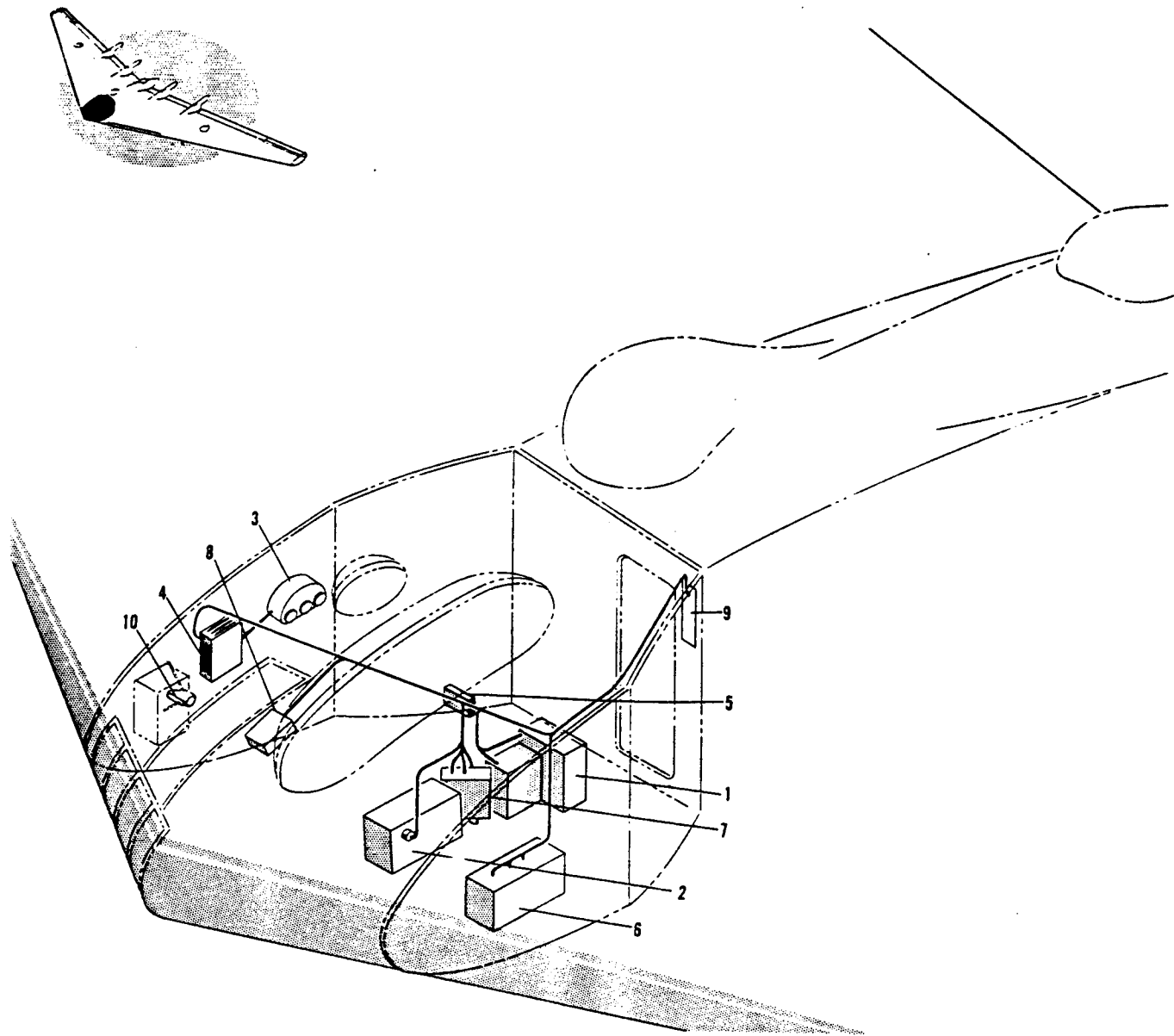


FIGURE 57—CREW NACELLE NOSE SECTION ARMAMENT ELECTRICAL

CREW NACELLE NOSE SECTION ARMAMENT ELECTRICAL

FIGURE & INDEX NUMBER	PART NUMBER	1	2	3	4	5	6	7	NOMENCLATURE	UNITS PER ASSEM	USAGE CODE
	551148								Electrical Installation—Crew nacelle nose section armament (For next assem..bly see page 97).....	NP	C
57 - 1	2 CG 1J1								Computer—Triple parallax (GFP).....	1	C
2	2 CH2A4								Computer—Single parallax (GFP).....	1	C
3	T8602663G1								Handset—Altitude and airspeed (GFP).....	1	C
4	T8254266G1								Regulator—Computer voltage (GFP).....	1	C
5	T9071334G1								Box—Upper control (GFP).....	1	C
6	W9017427G1								Box—Upper junction (GFP).....	1	C
7	W9017361G1								Box—Nose junction (GFP).....	1	C
8	P9063166G1								Box—Nose control (GFP).....	1	C
9	N220								Block Assembly—Bee terminal (BRH).....	1	C
10	256586								Support Assembly—Turret stowed indicator lamp.....	1	C
	666-3								Clip—Harness (AP).....	18	C
	666-4								Clip—Harness (AP).....	8	C
	666-6								Clip—Harness (AP).....	8	C
	666-7								Clip—Harness (AP).....	28	C

BODY GROUP

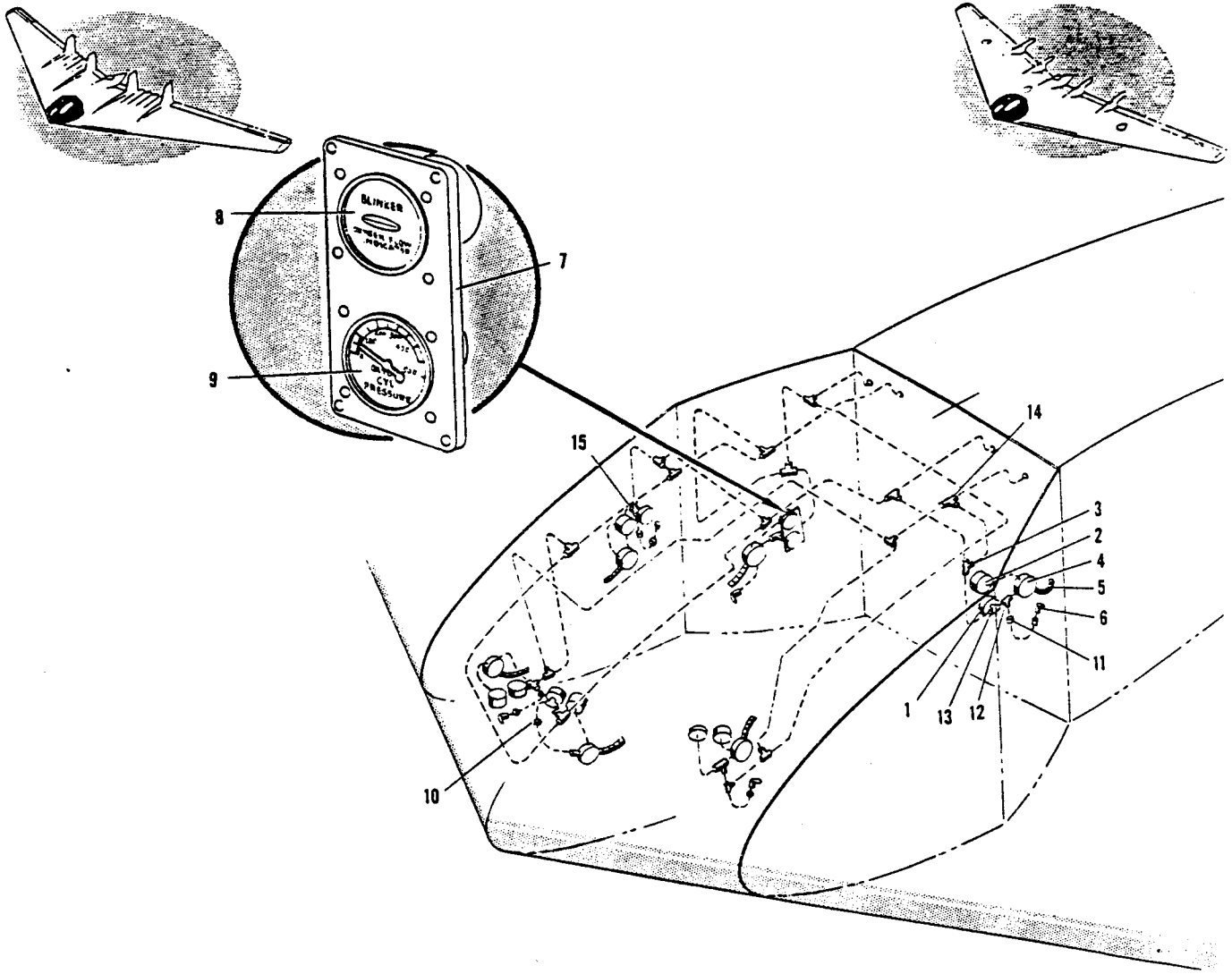


FIGURE 58—CREW NACELLE NOSE SECTION OXYGEN EQUIPMENT

CREW NACELLE NOSE SECTION OXYGEN EQUIPMENT

FIGURE & INDEX NUMBER	PART NUMBER	1	2	3	4	5	6	7	NOMENCLATURE	UNITS PER ASSEM	USAGE CODE
	556839								Oxygen Equipment Installation—Crew nacelle nose section (For next assembly see page 97)	NP	ALL
58 - 1	AN6021-1A								• Gage—Panel mounting low pressure oxygen (GFP) (AER 46-1400)	5	ALL
2	AN6029-1								• Indicator—Oxygen flow (GFP) (AER 46-1600)	5	ALL
3	AN6033-1								• Valve—Check style D (GFP) (AER 46-2765)	6	ALL
4	0-521PB								• Regulator—Type A14 (Spec. 40465) (GFP) (AER 46-2360)	6	ALL
5	AN6003-6								• Tube Assembly—Oxygen mask to regulator (GFP) (AER 46-2700)	6	ALL
6	AN6041-1								• Recharger Assembly—Portable oxygen (GFP) (AER 46-1850)	4	ALL
	AN6021-1A								• Gage—Panel mounting low pressure oxygen (GFP) (AER 46-1400)	1	C
	AN6029-1								• Indicator—Oxygen flow (GFP) (AER 46-1600)	1	C
	AN6033-1								• Valve—Low pressure oxygen check style D (GFP) (AER 46-2765)	1	C
	0-521PB								• Regulator—Type A14 (Spec. 40465) (GFP) (AER 46-2350)	1	C
	AN6003-6								• Tube Assembly—Oxygen mask to regulator (GFP) (AER 46-2700)	1	C
	556839-2								• Tube Assembly—Oxygen (Make from AN6003-6)	1	C
	AN5041-1								• Recharger Assembly—Portable oxygen	1	C
	AN825-5D								• Tee—Flared tube pipe thread on side	1	C
	43A13594								• Clip	1	C
7	451707								• Panel Assembly—Vertical oxygen instrument complete	1	ALL
8	AN26029-1								• Indicator—Oxygen flow (Spec. AN-1-12) (GFP) (AER 46-1600)	1	ALL
9	AN6021-1A								• Gage—Oxygen pressure (Spec. AN-G 13) (GFP) (AER 46-1400)	1	ALL
10	15117								• Clip—Co-pilot's oxygen lines	1	ALL
11	43A13594								• Clip	8	ALL
12	AN826-5D								• Tee—Flared tube pipe thread on run	4	ALL
13	AN825-5D								• Tee—Flared tube pipe thread on side	1	ALL
14	AN824-5D								• Tee—Flared tube pipe	10	ALL
15	AN918-1D								• Cross—Internal pipe thread	2	ALL
	556971								• Line Assembly—Crew nacelle nose section oxygen equipment	NP	ALL

BODY GROUP

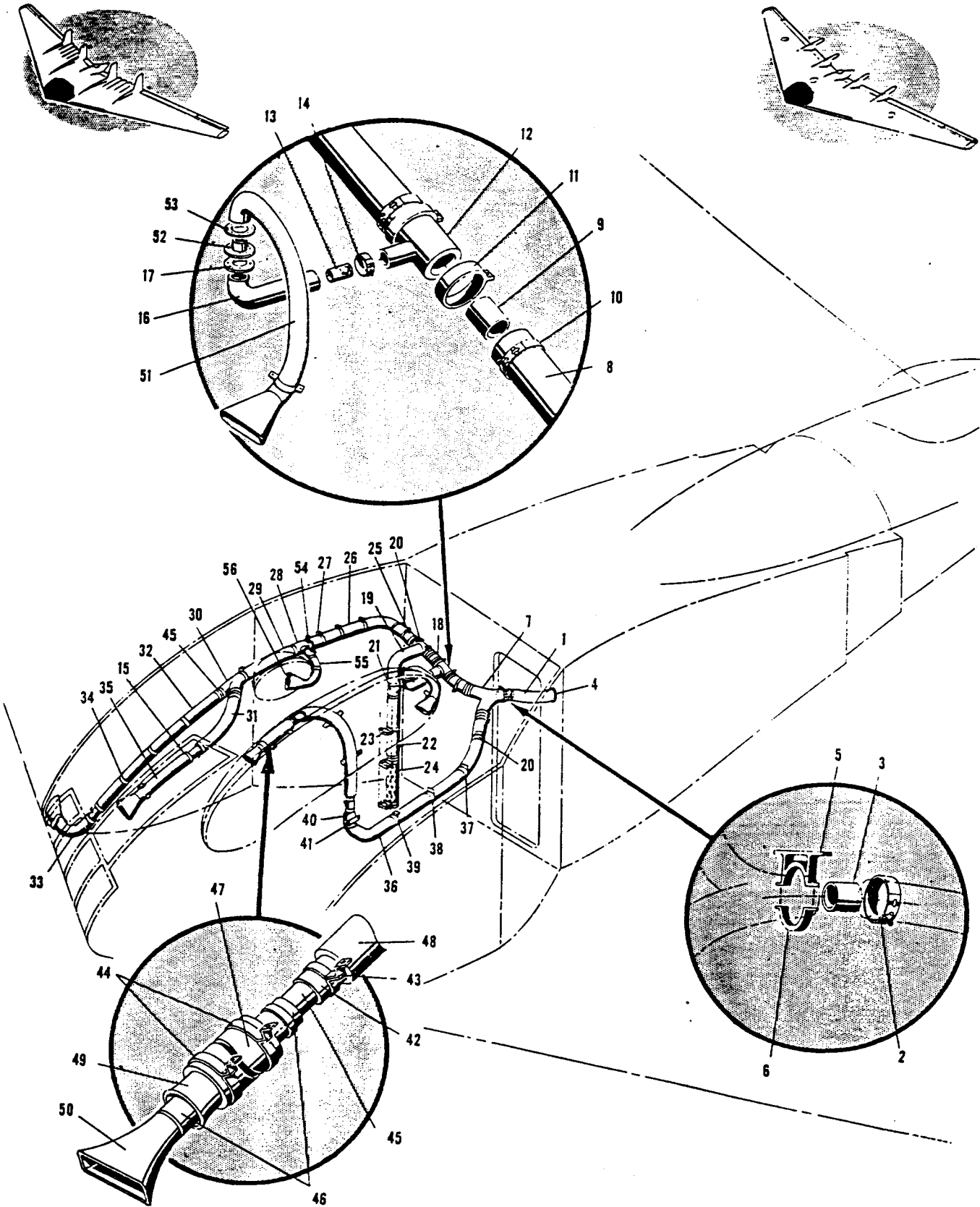


FIGURE 59—FORWARD CABIN HEATING AND VENTILATING DUCT

BODY GROUP
FORWARD CABIN HEATING AND VENTILATING DUCT

FIGURE & INDEX NUMBER	PART NUMBER	NOMENCLATURE							UNITS PER ASSEM	USAGE CODE
		1	2	3	4	5	6	7		
	553238	Duct Installation—Forward cabin heating and ventilating (For next assembly see page 97).....							NP	ALL
59 - 1	3200780	Duct—Heating and ventilating (ARW).....							1	ALL
2	A3122-64-59	Clamp (TIN).....							3	ALL
3	152728	Sleeve—Heating and ventilating duct joining.....							2	ALL
4	452340-4	Clamp—Crew nacelle center section heating and ventilating duct.....							1	ALL
5	452376-8	Support Assembly—Crew nacelle center section heating and ventilating duct.....							1	ALL
6	252375	Cap—Crew nacelle center section heating and ventilating support.....							1	ALL
7	3200760	Reducing "Y" (ARW).....							1	ALL
8	3200750	Duct—Heating and ventilating (ARW).....							1	ALL
9	253845-4	Sleeve—Cabin heating and ventilating duct joining.....							11	ALL
10	A2981A56	Clamp—(TIN).....							1	ALL
11	A3122-48-59	Clamp—(TIN).....							17	ALL
12	3200720	Tee—Reducing (ARW).....							1	ALL
13	454009	Valve Assembly—Cabin heating and ventilating 2.00 diameter.....							4	ALL
	119201	Valve—Defroster control.....							1	ALL
	119200	Handle—Defroster valve control.....							1	ALL
14	A3122-32-59	Clamp (TIN).....							3	ALL
15	455953-4	Support Assembly—Forward cabin 2.00 heating and ventilating duct.....							1	ALL
16	261685	Duct—Upper forward sighting station heating and ventilating.....							1	ALL
17	246054	Ring—Gun sighting enclosure heating and ventilating duct backing.....							1	ALL
18	3200770	Duct—Heating and ventilating (ARW).....							1	ALL
19	3200810	Duct—"T" crew nacelle sta 142 heating and ventilating (ARW).....							1	ALL
20	453241-14	Support—Crew nacelle forward section 300 heating and ventilating duct.....							7	ALL
21	454010	Valve Assembly—Cabin heating and ventilating 3.00 diameter.....							1	ALL
	256144	Valve—Heating and ventilating 3.00 diameter.....							1	ALL
	256145	Handle—Heating and ventilating 3.00 diameter valve.....							1	ALL
22	3200710	Duct—Heating and ventilating (ARW).....							1	ALL
23	455739	Clamp Assembly—Sta 142 duct and diffuser supporting.....							4	ALL
	AN530-8R10	Screw—Round head sheet metal.....							12	ALL
	AN960D8	Washer—Plain.....							12	ALL
24	555774	Diffuser Assembly—Crew nacelle sta 142.....							1	ALL
25	3200790	Duct—Heating and ventilating (ARW).....							1	ALL
26	CT48094	Duct—(USR).....							1	ALL
27	453241-2	Support—Crew nacelle forward section 3.00 heating and ventilating duct.....							2	ALL
28	3200740	Tee—Reducing (ARW).....							1	ALL
29	CT48098	Duct (USR).....							1	ALL
30	K-F7137-40	"Y"—Reducing (USR).....							1	ALL
31	CT48093	Duct (USR).....							1	ALL
32	CT48096	Duct (USR).....							1	ALL
33	255974	Tube—Bombardier's defrosting.....							4	ALL
34	455953-2	Support Assembly—Forward cabin 2.00 heating and ventilating duct.....							1	ALL
35	1829-2x25	Duct—Clamp end extension (25" relaxed length—50" extended)(ACR).....							1	ALL
36	3200800	Duct—Heating and ventilating (ARW).....							1	ALL
37	453241-4	Support—Crew nacelle forward section 3.00 heating and ventilating duct.....							1	ALL
38	453241-24	Support—Crew nacelle forward section 3.00 heating and ventilating duct.....							2	ALL
39	453241-18	Support—Crew nacelle forward section 3.00 heating and ventilating duct.....							1	ALL
40	3200730	Duct—Reducing heating and ventilating.....							1	ALL
41	454020	Bracket Assembly—Pilot's enclosure duct support.....							1	ALL
42	3200820	Duct—Heating and ventilating (ARW).....							1	ALL
43	454021	Bracket Assembly—Pilot's enclosure duct connecting.....							4	ALL
44	453242	Support Assembly—Pilot's enclosure 2.00 heating and ventilating duct.....							3	ALL
45	253845-2	Sleeve—Cabin heating and ventilating duct joining.....							1	ALL
46	1829-2x17	Duct—Clamp end extension (17" relaxed length—34" extended)(ACR).....							1	ALL
47	50538	Lagging—(SEP).....							1	ALL
48	50539	Lagging—(SEP).....							1	ALL
49	454848	Sheath—Pilot's enclosure defrosting duct.....							4	ALL
50	CP200	Nozzle—Defrosting (Calplasti, 8364 Beverly, Los Angeles, California).....							1	ALL
51	1829-2x18	Duct—Clamp end extension (ACR).....							1	ALL
52	456585	Nipple Assembly—Heating and ventilating flexible duct.....							1	ALL
53	256595	Gasket—Heating and ventilating flexible duct.....							1	ALL
54	456038	Valve Assembly—Cabin heating and ventilating 1.00 diameter.....							1	ALL
	256184	Valve—Heating and ventilating 1.00 diameter.....							1	ALL
	256180	Handle—Heating and ventilating 1.00 diameter valve.....							1	ALL
55	256039	Tube—Astrodome defrosting.....							1	ALL
	AN742-17	Clamp—Loop type support.....							3	ALL
	A3122-18-59	Clamp—(TIN).....							1	ALL
56	455997	Nozzle Assembly—Astrodome defrosting.....							1	ALL

BODY GROUP

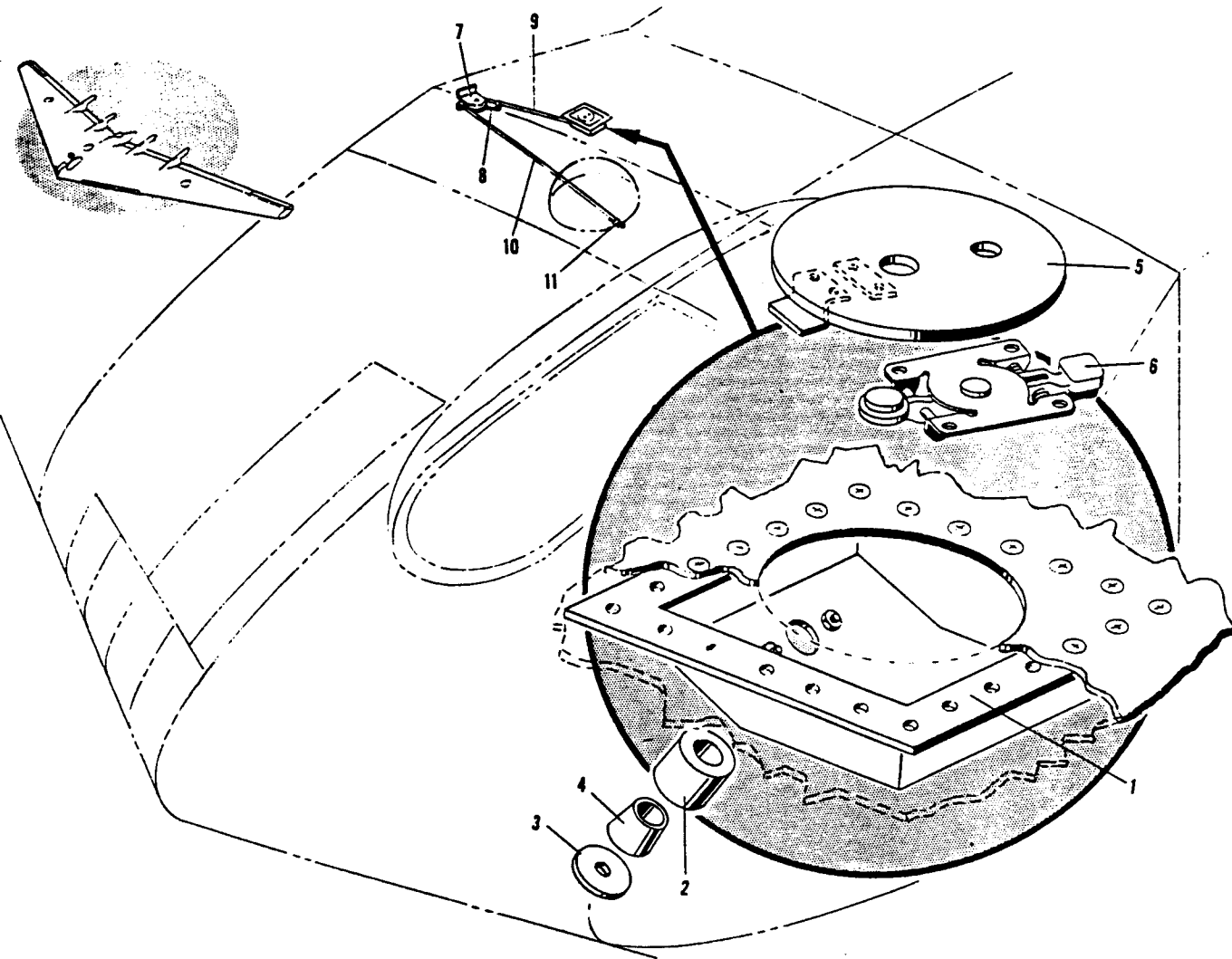


FIGURE 60—EMERGENCY ASTRADOME EXTERNAL RELEASE

EMERGENCY ASTRADOME EXTERNAL RELEASE

FIGURE & INDEX NUMBER	PART NUMBER	1	2	3	4	5	6	7	NOMENCLATURE	UNITS PER ASSEM	USAGE CODE
									Release Installation—Emergency astrodome external (For next assembly see page 97).....	NP	U
60 - 1	560509								Box Assembly—Astrodome emergency external release.....	1	U
2	560538								Container—Air pressure seal (BO).....	1	U
3	1-21109								Cap—Air pressure seal (BO).....	1	U
4	1-21113								Packing—Air pressure seal (BO).....	1	U
	1-21114										
	Attaching Parts										
	AN520-10R20								Screw—Round head machine fine thread.....	2	U
	AN960D10								Washer—Plain.....	2	U
	AN960C10L								Washer—Plain.....	2	U
	AN365-1032								Nut—Self locking.....	2	U
5	460539								Cover Assembly—Astrodome emergency external release.....	1	U
6	H4650-081-218								Latch—(HWL).....	1	U
7	560536								Bracket Assembly—Astrodome emergency release pulley.....	1	U
8	AN210-2A								Pulley—Control.....	1	U
	AN3-7A								Bolt—Aircraft 10-32.....	1	U
	AN960D10								Washer—Plain.....	2	U
	AN365-1032								Nut—Self locking.....	1	U
9	560509-2								Tube—Emergency astrodome external release.....	1	U
10	260510								Cable Assembly—Astrodome external emergency release.....	1	U
11	28-2G								Sleeve—Nicopress (NTS).....	1	U
	160537								Clip—Astrodome emergency external release stowage.....	5	U

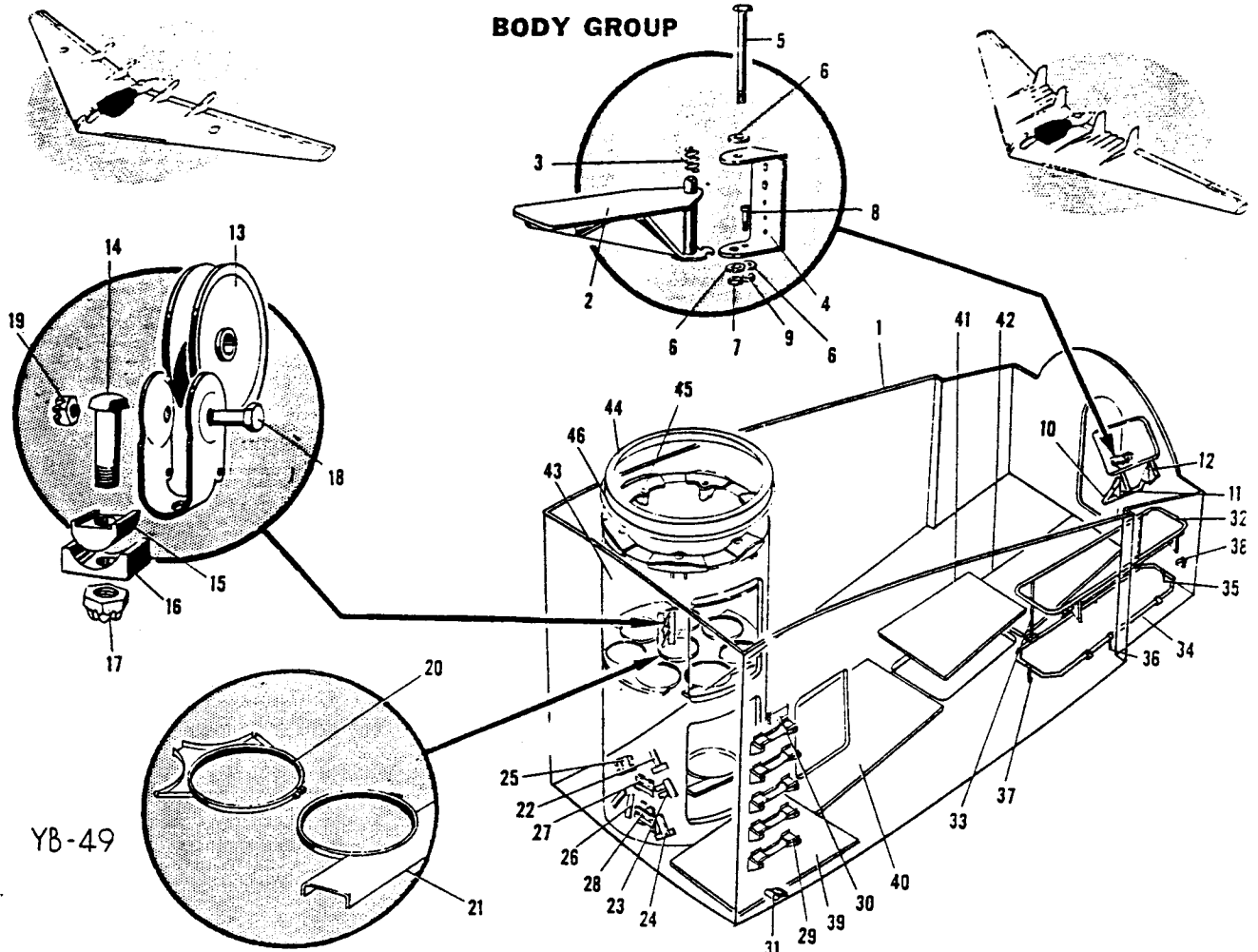


FIGURE 61—CREW NACELLE CENTER SECTION

CREW NACELLE CENTER SECTION

FIGURE & INDEX NUMBER	PART NUMBER	NOMENCLATURE	UNITS PER ASSEM	USAGE CODE
		1 2 3 4 5 6 7		
61 - 1	551000	Center Section Assembly—Crew nacelle (For next assembly see page 96)	1	ALL
	579002	Structure Assembly—Crew nacelle center section	1	ALL
	557759	Steps Installation—Rear upper crew nacelle escape hatch	NP	ALL
2	457743	Step Assembly—Rear upper crew nacelle escape hatch lower	1	ALL
3	157764	Spring—Rear upper crew nacelle escape hatch lower step	1	ALL
4	257744	Bracket—Rear upper crew nacelle escape hatch lower step	1	ALL
5	AN5-50A	Bolt—Aircraft 5/16-24	1	ALL
6	AN960A516	Washer—Plain	3	ALL
7	AN365-524	Nut—Self locking	1	ALL
8	AN501-516-14	Screw—Fillister head (fine thread)	1	ALL
9	AN865-524	Nut—Self locking	1	ALL
10	457756	Step Assembly—Rear upper crew nacelle escape hatch upper	1	ALL
11	457757	Bracket Assembly—Rear upper crew nacelle escape hatch upper step sta 352	1	ALL
12	457758	Bracket Assembly—Rear upper crew nacelle escape hatch upper step sta 344.5	1	ALL
	554995	Bracket Installation—Turret well adjustable mixture control pulley	NP	ALL
13	AN210-2A	Pulley—Control	2	ALL
14	P104-15	Bolt—(TIN)	1	ALL
	P104-17	Bolt—(TIN)	1	ALL
15	P106-1	Lock—(TIN)	2	ALL
16	P107-1	Base—(TIN)	2	ALL
17	AN310-5	Nut—Aircraft castle	1	ALL
18	AN3-7A	Bolt—Aircraft 10-32	2	ALL
19	AN365-1032	Nut—Self locking	2	ALL
	556990	Bracket Installation—Crew nacelle turret well	NP	DE
20	456978	Saddle Assembly—Turret well oxygen bottle support	4	DE
21	556981	Support Assembly—Turret well oxygen bottle inboard	4	DE
	551791	Bracket Installation—Crew nacelle sta 189.994 rudder and elevon pulley	NP	ALL
22	551792	Bracket Assembly—Crew nacelle sta 189.994 rudder open cable pulley	1	ALL
23	551793	Bracket Assembly—Crew nacelle sta 189.994 left hand rudder cable pulley	1	ALL
24	551794	Bracket Assembly—Crew nacelle sta 189.994 rudder closed cable pulley	1	ALL
25	551795	Bracket Assembly—Crew nacelle sta 189.994 right hand elevon upper cable pulley	1	ALL
26	551796	Bracket Assembly—Crew nacelle sta 189.994 right hand elevon lower cable pulley	1	ALL
27	551797	Bracket Assembly—Crew nacelle sta 189.994 left hand elevon upper cable pulley	1	ALL
28	551798	Bracket Assembly—Crew nacelle sta 189.994 left hand elevon lower cable pulley	1	ALL

BODY GROUP
CREW NACELLE CENTER SECTION

FIGURE & INDEX NUMBER	PART NUMBER	NOMENCLATURE							UNITS PER ASSEM	USAGE CODE
		1	2	3	4	5	6	7		
	AN210-5A								1	ALL
	90P104								11	ALL
	559880								NP	ALL
61 - 29	QG192A1								5	ALL
30	559797								1	ALL
	454520								4	ALL
	1094								8	ALL
	44A18454-9								1	ALL
	AN3121-313								1	ALL
	AN3023-2								1	ALL
	AN3028-3								1	ALL
	559928								1	ALL
	559929								1	ALL
	259930								1	ALL
	AN515-8R8								1	ALL
	AN960D8								2	ALL
	AN365-832								34	ALL
	560079								34	ALL
	560079-1								NP	ALL
	459725								NP	ALL
31	70B145-111								1	ALL
	559025								1	ALL
	559025-24								NP	X
	559025-32								1	X
	559025-2								1	X
	554491								NP	ALL
	554491-1								NP	ALL
61 - 32	559736								1	ALL
	559736-1								1	ALL
	459737								1	ALL
	459737-1								2	ALL
	159738								2	C-P
33	459741								1	ALL
34	559742								1	ALL
	559742-1								1	ALL
35	459748								1	ALL
36	459746								1	ALL
37	459745								3	ALL
	AN3-6A								1	ALL
	AN44-4A								1	ALL
	AN44-5A								1	ALL
	AN44-6A								3	ALL
	AN4-6A								2	ALL
	AN960D416								3	ALL
	AN960D516								6	ALL
	AN365-428								3	ALL
	AN365-524								2	ALL
	259743								4	ALL
	459744								2	ALL
	159758								1	ALL
38	459809								1	ALL
	459809-1								NP	ALL
	556136								1	ALL
39	556136-2								20	ALL
	AN531-10R12								5	ALL
	AN531-10R14								10	ALL
	NAS205-14								15	ALL
	10W065-20-113								25	ALL
	11W300-820								15	ALL
	AN465-1032								NP	ALL
	480502								1	ALL
40	480502-10								NP	ALL
	480504								1	ALL
41	480504-10								NP	ALL
	480501								1	ALL
42	480501-600								NP	C
	575562								1	C
43	575562-10								2	C
44	557598								12	C
45	257834								1	C
	575835								1	C
	175836								1	C
	175837								1	C
	AN365-912								1	C
	RL64S-311								1	C
	R911S-314								2	C
46	475501								NP	X
	556472								NP	ALL
	551140								NP	ALL
	551141								NP	ALL
	555500								NP	ALL
	553795								NP	C
	558316								NP	DR
	552081								NP	ALL
	556977								NP	DE

BODY GROUP

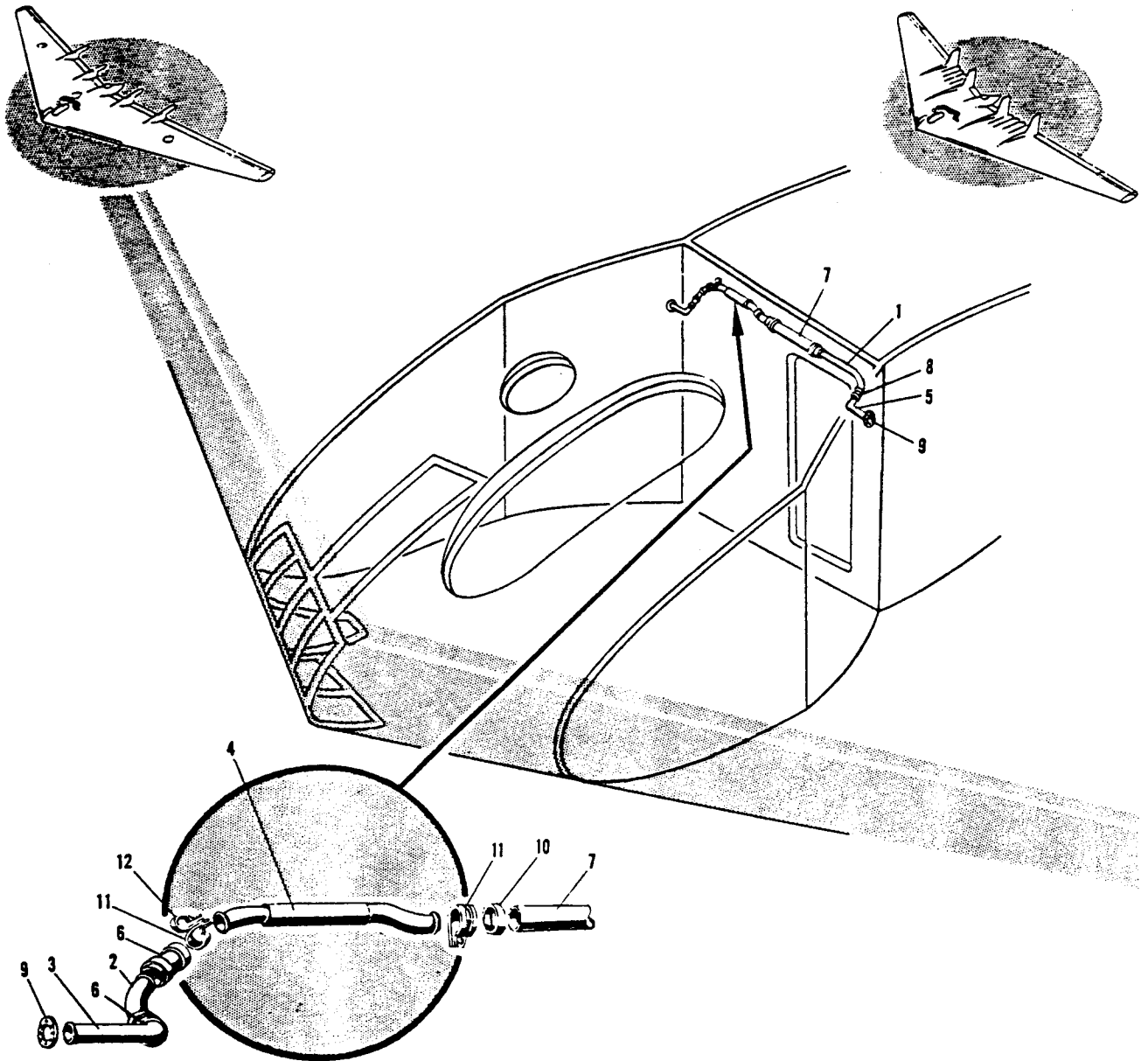


FIGURE 62—CROSS FEED FUEL LINE

FIGURE & INDEX NUMBER	PART NUMBER	NOMENCLATURE	UNITS PER ASSEM	USAGE CODE
	556472	Line Installation—Cross feed fuel (For next assembly YB-35 see page 121) (For next assembly YB-49 see page 218).....	NP	ALL
62 - 1	556500-2	Line—Cross feed fuel.....	1	ALL
2	556500-4	Line—Cross feed fuel.....	1	ALL
3	456475	Tube Assembly—Right hand cabin wall fuel cross feed.....	1	ALL
4	456473	Tube Assembly—Fuel cross feed intermediate.....	1	ALL
5	456474	Tube Assembly—Left hand cabin wall fuel cross feed.....	2	ALL
6	AN884-24-13	Hose—Aromatic resistant synthetic.....	1	ALL
7	AN884-24-102	Hose—Aromatic resistant synthetic.....	1	ALL
8	AN884-24-36	Hose—Aromatic resistant synthetic.....	2	ALL
9	256482	Gasket—Cross feed fuel line cabin seal.....	8	ALL
10	AN748-66	Clamp—Hose.....	4	ALL
11	755-24-2-8	Clip (AP).....	1	ALL
12	755-22-2-8	Clip (AP).....		

BODY GROUP

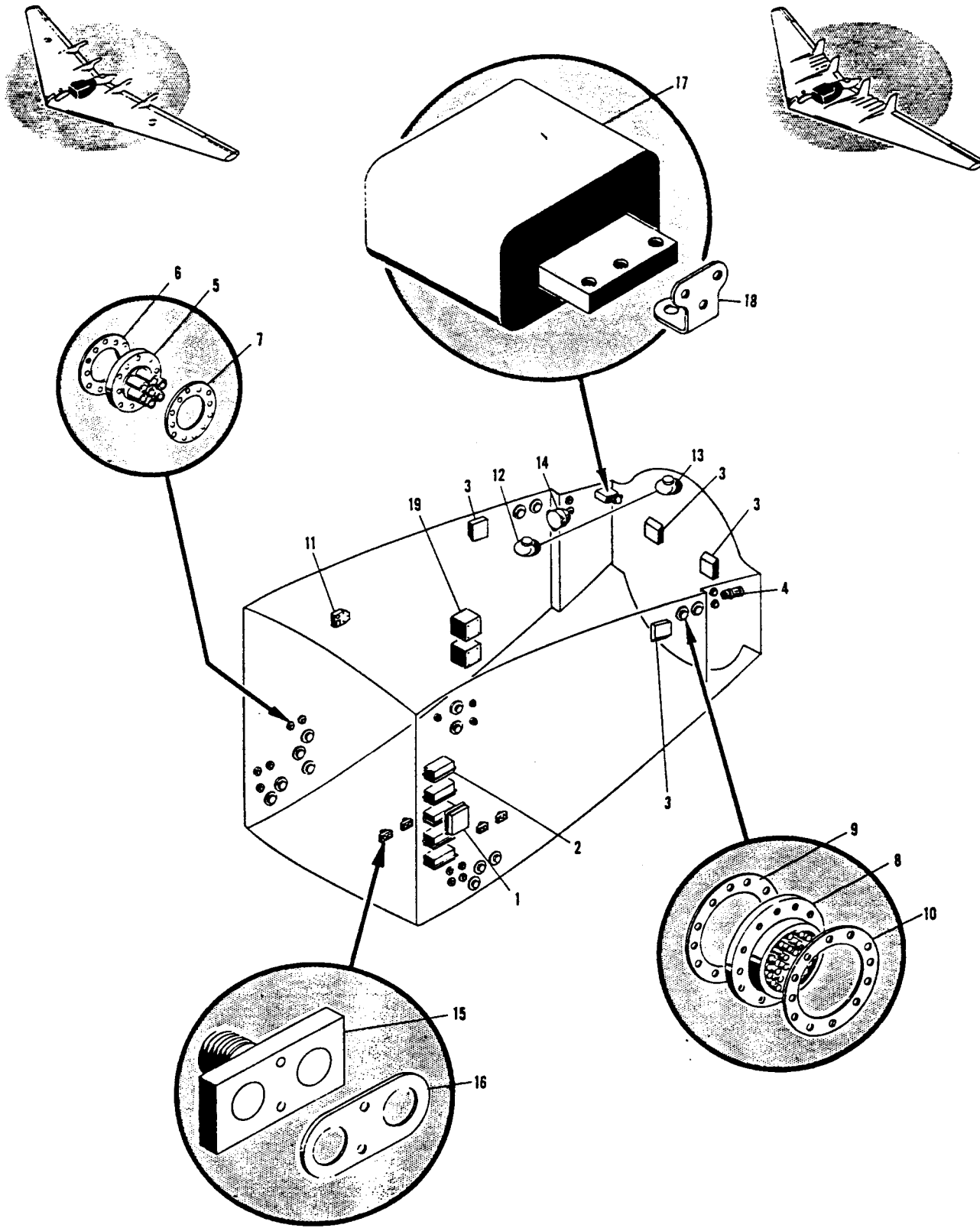


FIGURE 63—CREW NACELLE CENTER SECTION ELECTRICAL

BODY GROUP
CREW NACELLE CENTER SECTION ELECTRICAL

FIGURE & INDEX NUMBER	PART NUMBER	NOMENCLATURE							UNITS PER ASSEM	USAGE CODE
		1	2	3	4	5	6	7		
		Electrical Installation—Crew nacelle center section (For next assembly see page 121)							NP	ALL
63 - 1	551140	Box—Minneapolis Honeywell Junction (GFP) (AER 42-6304)							1	X
	G1066A1	Turb—Minneapolis Honeywell amplifier (GFP)							5	X
2	RG7002A	Rheostat type QIA (Spec. 94-32375) (GFP) (AER 42-6590)							4	ALL
3	No Number	Screw—Round head sheet metal							8	ALL
	AN530-8R8	Signal—Warning type J2 (Spec. 32462) (GFP)							1	ALL
4	No Number	Screw—Round head machine coarse thread							3	ALL
	AN515-8R14	Nut—Self locking							3	ALL
	AN365-832	Plug—Small pressurized (TOM)							16	ALL
5	BDS1354A	Shield—Small pressurized electrical plug							16	ALL
6	255067	Gasket—Small pressurized electrical plug							16	ALL
7	155065	Plug—Large pressurized (TOM)							14	ALL
8	DBS1354B	Gasket—Large pressurized electrical plug							14	ALL
9	255064	Shield—Large pressurized electrical plug							14	ALL
10	255066	Screw—Round head machine coarse thread							392	ALL
	AN515-8R16	Nut—Self locking							392	ALL
	AN365-832	Panel Assembly—Bomb bay No. 4 bomb salvo switch complete							1	DE
	456015	Lamp Assembly							1	DE
	44A18454-9	Lamp—T3-1/4 bulb contact miniature bayonet base							1	DE
	AN3023-2	Switch—3-hole mounting pole toggle							1	DE
	AN3028-2	Guard—Toggle switch and switch breaker							1	DE
11	456016	Panel Assembly—Normal bomb salvo switch complete							1	X
	44A18454-9	Lamp Assembly							1	X
	AN3121-313	Lamp—T3-1/4 bulb single contact miniature bayonet base							2	X
	AN3023-2	Switch—3-hole mounting double pole toggle							1	X
	AN3028-2	Toggle switch and switch breaker							1	X
	558909	Lamp Installation—Forward center cabin							NP	ALL
12	AN3037-3	Lamp Assembly—Cabin dome							1	ALL
	AN3133-311	Lamp—S11 bulb single contact candelabra bayonet base							1	ALL
	AN3044-1	Cover—Cabin dome light							1	ALL
	AN3022-2	Switch—3-hole mounting single pole toggle							1	ALL
	560260	Lamp Installation—Rear center cabin dome							NP	ALL
13	AN3037-3	Light Assembly—Cabin dome							1	ALL
	AN3133-311	Lamp—S11 bulb single contact candelabra bayonet base							1	ALL
	AN3044-1	Cover—Cabin dome light							1	ALL
	AN3022-2	Switch—3-hole mounting single pole toggle							1	ALL
14	50291	Bell—Alarm							2	ALL
	558385	Electrical Installation—Crew nacelle center section cabin air temperature control rheostat and thermistor							NP	DE
	CYLD2269	Thermistor—Cabin (BCC)							1	DE
	BYLE2292	Rheostat—Tandem (BCC)							1	DE
15	8T500-2	Connector—Thermocouple (LEN)							4	X
16	155095	Gasket—Thermocouple pressure seal							4	ALL
17	70G241	Auto Transformer (GE)							1	ALL
18	156522	Bus—Center section suit heater transformer							1	ALL
	560280	Box Installation—Spare lamp							NP	ALL
19	560279	Box Assembly—Spare lamp							3	ALL
	AN3093-4	Cover—Tail position light (Type AN-C70) (GFP)							2	ALL
	AN3093-3	Cover—Tail position light (Type AN-C70) (GFP)							2	ALL
	AN3093-2	Cover—Tail position light (Type AN-C70) (GFP)							2	ALL
	666-3	Clip (AP)							1	ALL
	666-4	Clip (AP)							10	ALL
	666-6	Clip (AP)							1	ALL
	666-7	Clip (AP)							1	ALL
	AN3137-304	Lamp—G6 bulb double contact candelabra bayonet base (Type W-L111) (GFP)							1	ALL
	AN3136-323	Lamp—T1-1/4 bulb special base instrument (Type W-L111) (GFP)							3	ALL
	AN3133-311	Lamp—S11 bulb single contact candelabra bayonet base (Type W-L111) (GFP)							5	ALL
	AN3125-1	Lamp—RP12 bulb double contact indicator candelabra bayonet base fluorescent (Type AN-L23) (GFP)							5	ALL
	AN3121-313	Lamp—T3-1/4 bulb single contact miniature bayonet base (Type W-L111) (GFP)							3	ALL
	47D6126-6	Lamp Assembly—(GFP)							1	U
	AN3120-1047	Lamp—RP-11 bulb single contact candelabra bayonet base signal (GFP)							2	U
	AN3131-303	Lamp—G-6 bulb single contact candelabra bayonet base							2	U
	47D6126-10	Lamp Assembly—(GFP)							1	U
	AN3057-6	Adaptor—Electrical accessory							2	U
	261879	Seal—Wire pressure							2	U
	AN3058-6	Coupling—Conduit Straight							2	U

BODY GROUP

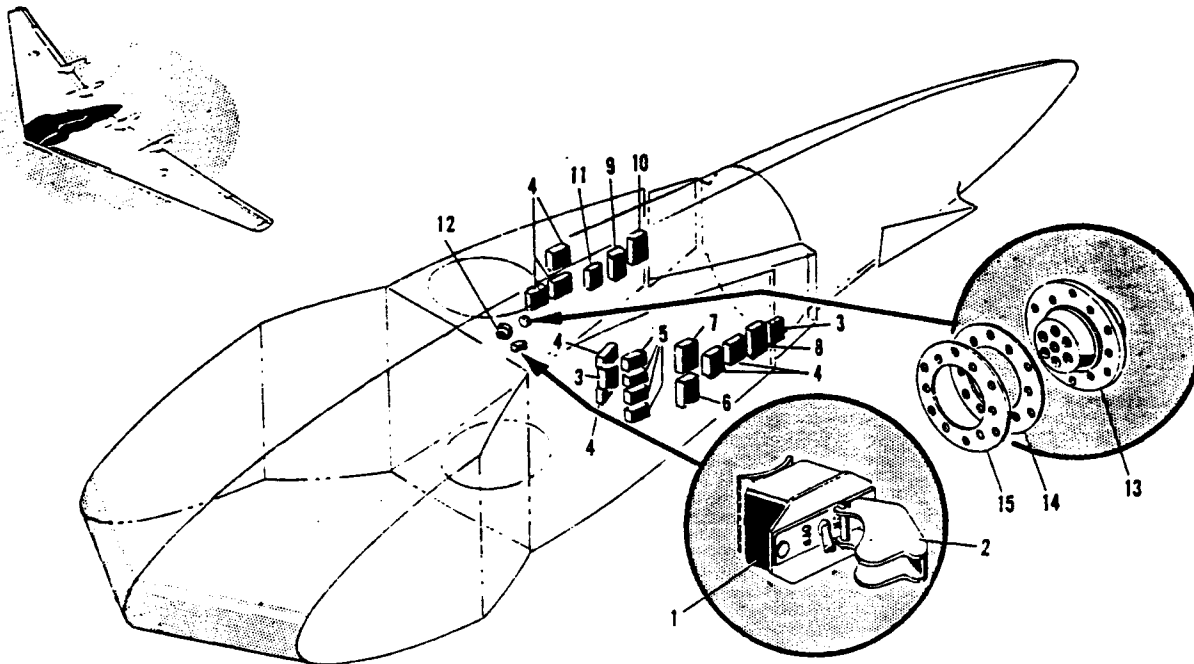


FIGURE 64—CREW NACELLE CENTER SECTION ARMAMENT ELECTRICAL

CREW NACELLE CENTER SECTION ARMAMENT ELECTRICAL

FIGURE & INDEX NUMBER	PART NUMBER	1	2	3	4	5	6	7	NOMENCLATURE	UNITS PER ASSEM	USAGE CODE
	551141	Electrical Installation—Crew nacelle center section armament (For next assembly see page 121)							NP		C
64 - 1	AN3023-2								Switch—3-hole mounting double pole toggle	1	C
2	49-1356								Guard—Toggle switch and switch breaker (CUT)	1	C
	AN515-6R8								Screw—Round head machine coarse thread	2	C
3	T901451G1								Box—Center amplidyne junction (GFP) (GE Dwg. No. T8602599)	2	C
	NAS221-9								Screw—Brazier head phillips recess 10-32	8	C
	AN365-1032								Nut—Self locking	8	C
4	2CV1C1								Amplifier—Servo (GFP) (GE Dwg. No. M8281734)	7	C
	AN515-8R14								Screw—Round head machine coarse thread	28	C
	AN960D8								Washer—Plain	28	C
	AN365-852								Nut—Self locking	4	C
5	5AM41NJ5								Amplidyne (GFP) (GE Dwg. No. K8167518)	16	C
	AN4-7A								Bolt—Aircraft 1/4-28	16	C
	AN960D416								Washer—Plain	16	C
	AN365-428								Nut—Self locking	16	C
6	2CH1J1								Computer—Lower (GFP) (GE Dwg. No. IN 8258971)	1	C
7	2CH1C2								Computer—Tail (GFP) (GE Dwg. No. T 8252900)	1	C
	AN515-8R8								Screw—Round head machine coarse thread	36	C
	AN960D8								Washer—Plain	36	C
	AN365-832								Nut—Self locking	36	C
8	T9071481G1								Box—Capacitor (GE Dwg. No. T8672273)	1	C
	NAS221-9								Screw—Brazier head phillips recess 10-32	1	C
9	W9017359G1								Box—Tail system junction (GFP) (GE Dwg. No. W8677367)	1	C
10	W9017363G1								Box—Lower junction "A" (GFP) (GE Dwg. No. W8677375)	1	C
	AN4-4A								Bolt—Aircraft 1/4-28	8	C
	AN960D416								Washer—Plain	8	C
	AN365-428								Nut—Self locking	8	C
11	W9017360G1								Box—Lower junction "B" (GFP) (GE Dwg. No. W8677373)	1	C
	AN5-4A								Bolt—Aircraft 5/16-24	4	C
	AN960D516								Washer—Plain	4	C
	AN365-524								Nut—Self locking	4	C
12	BDS1354B								Plug—Pressurized (TOM)	1	C
	255064								Gasket—Large pressurized electric plug	1	C
	255066								Shield—Large pressurized electric plug	1	C
13	BDS1354A								Plug—Pressurized (TOM)	2	C
14	255065								Gasket—Small pressurized electric plug	2	C
15	255067								Shield—Small pressurized electric plug	2	C
	AN515-8R12								Screw—Round head machine coarse thread	40	C
	AN960D8								Washer—Plain	40	C
	AN365-832								Nut—Self locking	40	C
	666-1								Clip—Harness (AP)	10	C
	666-3								Clip—Harness (AP)	36	C
	666-4								Clip—Harness (AP)	9	C
	666-7								Clip—Harness (AP)	20	C
	456149-500								Panel Assembly—Forward armament DC limiter	1	C
	F3H2								Base Limiter—(BE)	3	C
	F1L60								Limiter—(BE)	9	C

BODY GROUP

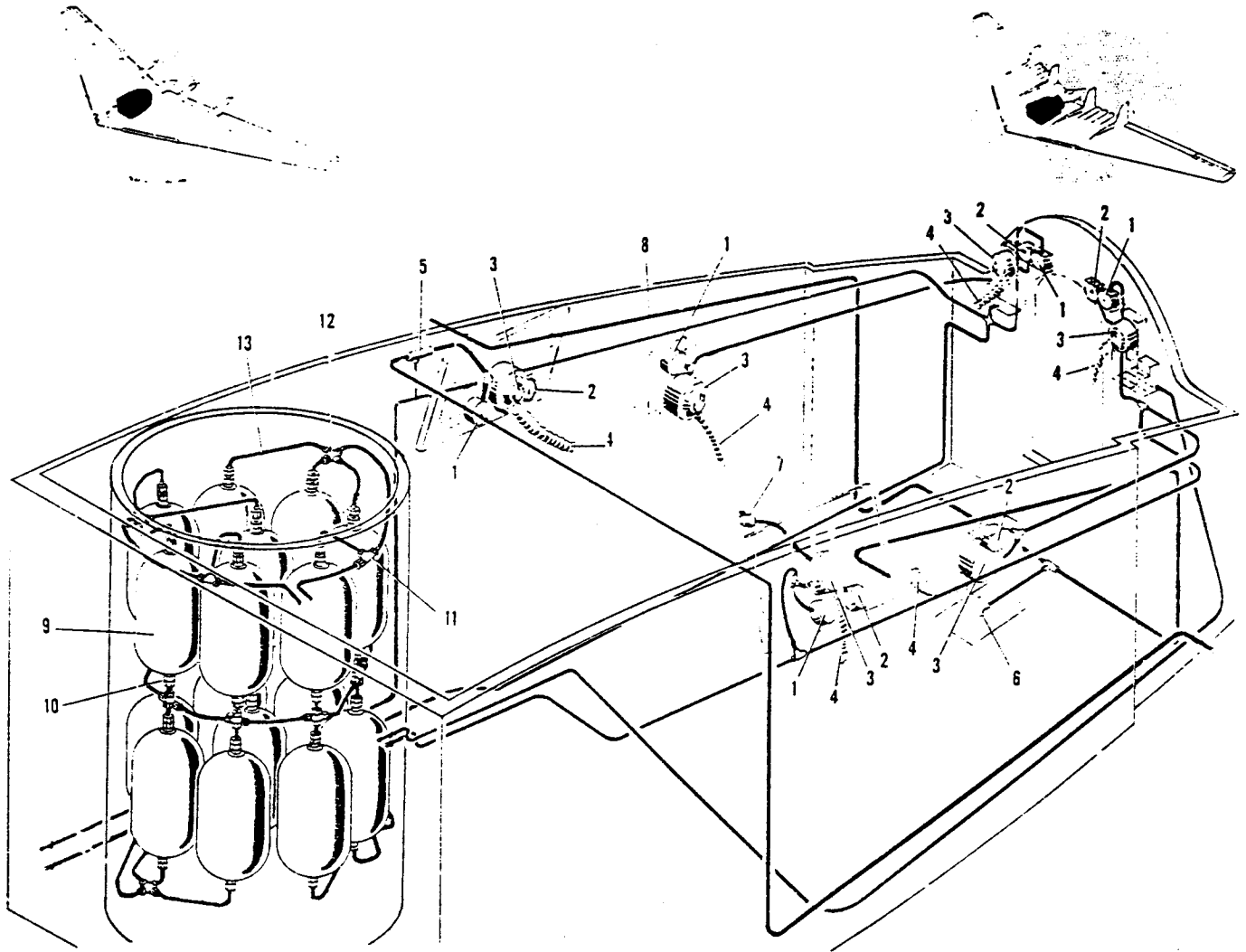


FIGURE 65—CREW NACELLE CENTER SECTION OXYGEN

FIGURE & INDEX NUMBER	PART NUMBER	NOMENCLATURE							UNITS PER ASSEM	USAGE CODE
		1	2	3	4	5	6	7		
		Crew Nacelle Center Section Oxygen								
		Oxygen Equipment Installation—Crew nacelle center section (<i>For next assembly see page 121</i>)							NP	ALL
65 - 1	555500	Oxygen Equipment Installation—Crew nacelle center section (<i>For next assembly see page 121</i>)							4	ALL
2	AN6021-1A	Gage—Panel mounting low pressure oxygen (GFP) (AER 46-1400)							6	ALL
3	AN6029-1	Indicator—Oxygen flow (GFP) (AER 46-1600)							6	ALL
4	No Number	Regulator—Type A1+ (Spec. 40465) (GFP) (AER 46-2360)							6	ALL
5	AN6003-6	Tube Assembly—Oxygen (GFP) (AER 46-2700)							6	ALL
6	AN6033-1	Valve—Low pressure oxygen check (GFP) (AER 46-2765)							4	ALL
7	AN6024-2	Valve—Low pressure oxygen filler (GFP) (AER 46-2900)							1	ALL
8	AN6041-1	Recharger Assembly—Portable oxygen (GFP) (AER 46-1850)							2	ALL
	553499	Line Assembly—Crew nacelle center section oxygen							1	ALL
	AN827-5D	Cross—Flared tube							1	ALL
	AN917-1D	Tee—Internal pipe thread							1	ALL
	AN826-5D	Tee—Flared tube pipe thread on run							2	ALL
	AN825-5D	Tee—Flared tube pipe thread on side							1	ALL
	AN824-5D	Tee—Flared tube pipe							10	ALL
	AN834-5D	Tee—Flared tube bulkhead and universal							3	ALL
	556977	Oxygen Equipment Installation—Crew nacelle turret well							NP	DE
9	No Number	Cylinder—Oxygen type G1 (GFP)							16	DE
10	AN6036-1	Valve—Low pressure oxygen check (style G) (GFP)							16	DE
11	AN6033-1	Valve—Low pressure oxygen check (style D) (GFP)							4	DE
12	AN6034-1	Valve—Low pressure oxygen check (style E) (GFP)							4	DE
13	557121	Line Assembly—Crew nacelle turret well oxygen							AR	DE
	AN824-5D	Tee—Flared tube pipe							1	DE
	AN827-5D	Cross—Flared tube							7	DE
	AN816-5-4D	Nipple—Flared tube and pipe thread							86	DE

BODY GROUP

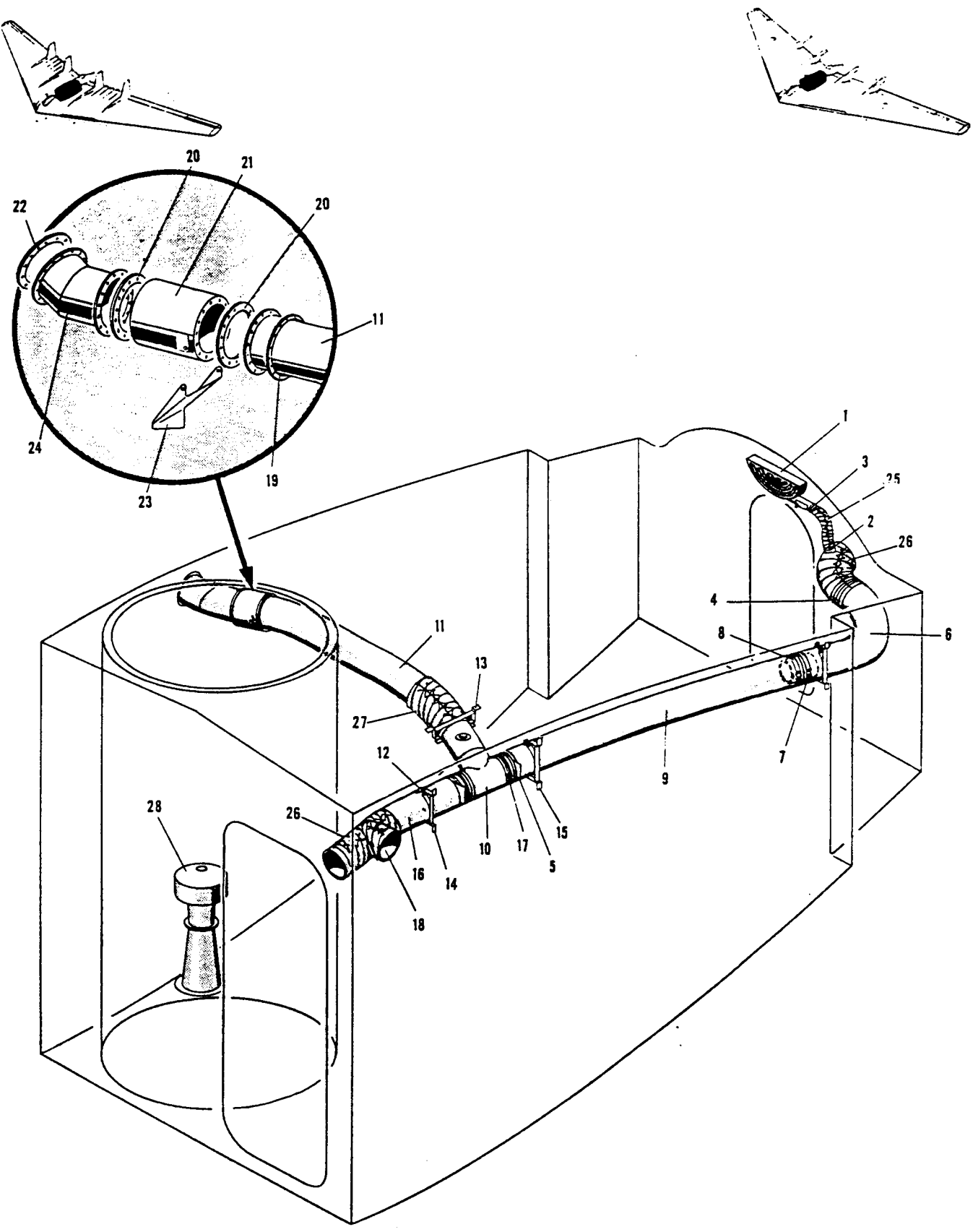


FIGURE 66—HEATING AND VENTILATING AND CABIN PRESSURE REGULATOR

BODY GROUP
HEATING AND VENTILATING AND CABIN PRESSURE REGULATOR

FIGURE & INDEX NUMBER	PART NUMBER	1	2	3	4	5	6	7	NOMENCLATURE	UNITS PER ASSEM	USAGE CODE
		Crew Nacelle Center Section Heating and Ventilating and Cabin Pressure Regulator									
	552081	Duct Installation—Crew nacelle center section heating and ventilating (For next assembly see page 121)							NP	ALL	
	AYLF2199								Thermostat (BCC)	2	DE
	AN515-4R5								Screw—Round head machine coarse thread	8	DE
	AN935-4L								Washer—Medium spring lock	8	DE
66 - 1	552654								Diffuser Assembly—Crew nacelle center section sta 367 heating and ventilating	1	ALL
	552654-14								Diffuser Assembly—Crew nacelle center section sta 367 heating and ventilating	1	ALL
	552654-10								Handle Assembly—Crew nacelle center section sta 367 heating and ventilating	1	ALL
	119201								Valve—Defroster control	1	ALL
	C10127								Outlet—Half round aero fuse (Tuttle & Bailey, Inc., New Britain, Conn.)	1	ALL
2	1829-11								Tube (ACR)	2	ALL
3	3625D200W								Clamp (MAR)	1	ALL
4	552620								Elbow—Rear spar bulkhead heating and ventilating duct	2	ALL
5	452340-4								Clamp—Crew nacelle center section heating and ventilating duct	1	ALL
6	452433								Duct—Crew nacelle center section sta 352 flexible heating and ventilating	6	ALL
7	452340-2								Clamp—Crew nacelle center section heating and ventilating duct	14	ALL
8	3625D4125W								Clamp (MAR)	1	ALL
9	452082								Duct—Crew nacelle center section heating and ventilating	1	ALL
10	452242								Duct—Heating and ventilating "T"	1	ALL
11	452622								Duct—Crew nacelle center section sta 250.7 flexible	6	ALL
12	252375								Cap—Crew nacelle center section heating and ventilating support	3	ALL
13	452376-6								Support Assembly—Crew nacelle center section heating and ventilating duct	1	ALL
14	452376-4								Support Assembly—Crew nacelle center section heating and ventilating duct	2	ALL
15	452376-2								Support Assembly—Crew nacelle center section heating and ventilating duct	34	ALL
	AN530-8R10								Screw—Round head sheet metal	34	ALL
	AN960A8								Washer—Plain	1	ALL
16	452531								Duct—Crew nacelle center section sta 250.7 heating and ventilating	8	ALL
17	152728								Sleeve—Heating and ventilating duct joining	1	ALL
18	452245								Duct—Wing sta 44 wall heating and ventilating	1	ALL
19	153272								Ring—Heating and ventilating duct backing	2	ALL
20	456529								Gasket—Crew nacelle center section heating and ventilating valve	1	X
21	90208								Valve—Shut-off (AIR)	1	DE
	No Number								Valve—Shut-off (See Northrop YB-49 EO on drawing 552081)	44	ALL
	AN503-8-8								Screw—Drilled fillister head machine coarse	44	ALL
	AN960D8								Washer—Plain	2	ALL
22	456528								Gasket—Crew nacelle center section heating and ventilating valve	11	ALL
	AN530-10R12								Screw—Round head sheet metal	11	ALL
	AN960D10								Washer—Plain	1	ALL
23	556507								Bracket—Heating and ventilating shut-off valve	4	ALL
	AN520-10R10								Screw—Round head machine fine thread	8	ALL
	AN960D10								Washer—Plain	4	ALL
	AN365-1032								Nut—Self locking	1	ALL
24	556506								Duct Assembly—Heating and ventilating shut-off valve	1	ALL
25	L219AA150-60								Blanket—(TMH)	2	ALL
26	L219AA300-130								Blanket—(TMH)	1	ALL
27	L219AA300-160								Blanket—(TMH)	1	ALL
	553795								Regulator and Adapter Installation—Cabin pressure (For next assembly see page 121)	NP	C
	1E663-6								Regulator—Cabin pressure (AIR)	1	C
	553518								Adapter Assembly—Cabin pressure regulator	1	C
	253797								Gasket—Cabin pressure regulator	1	C
	253796								Gasket—Cabin pressure adapter	12	C
	AN3-6A								Bolt—Aircraft 10-32	14	C
	AN960D10								Washer—Plain	14	C
	AN365-1032								Nut—Self locking	1	C
	254175								Bracket—Cabin pressure adapter	2	C
	AN3-4A								Bolt—Aircraft 10-32	NP	D-R
	558316								Regulator and Adapter Installation—Cabin pressure (For next assembly see page 121)	1	D
	51930-2-5-746								Regulator—(ACEC)	1	E
	51930-2-5-745								Regulator—(ACEC)	1	F-K
28	51930-2-8-745								Regulator—(ACEC)	1	M-R
	51930-2-8-746								Regulator—(ACEC)	1	M-R

BODY GROUP

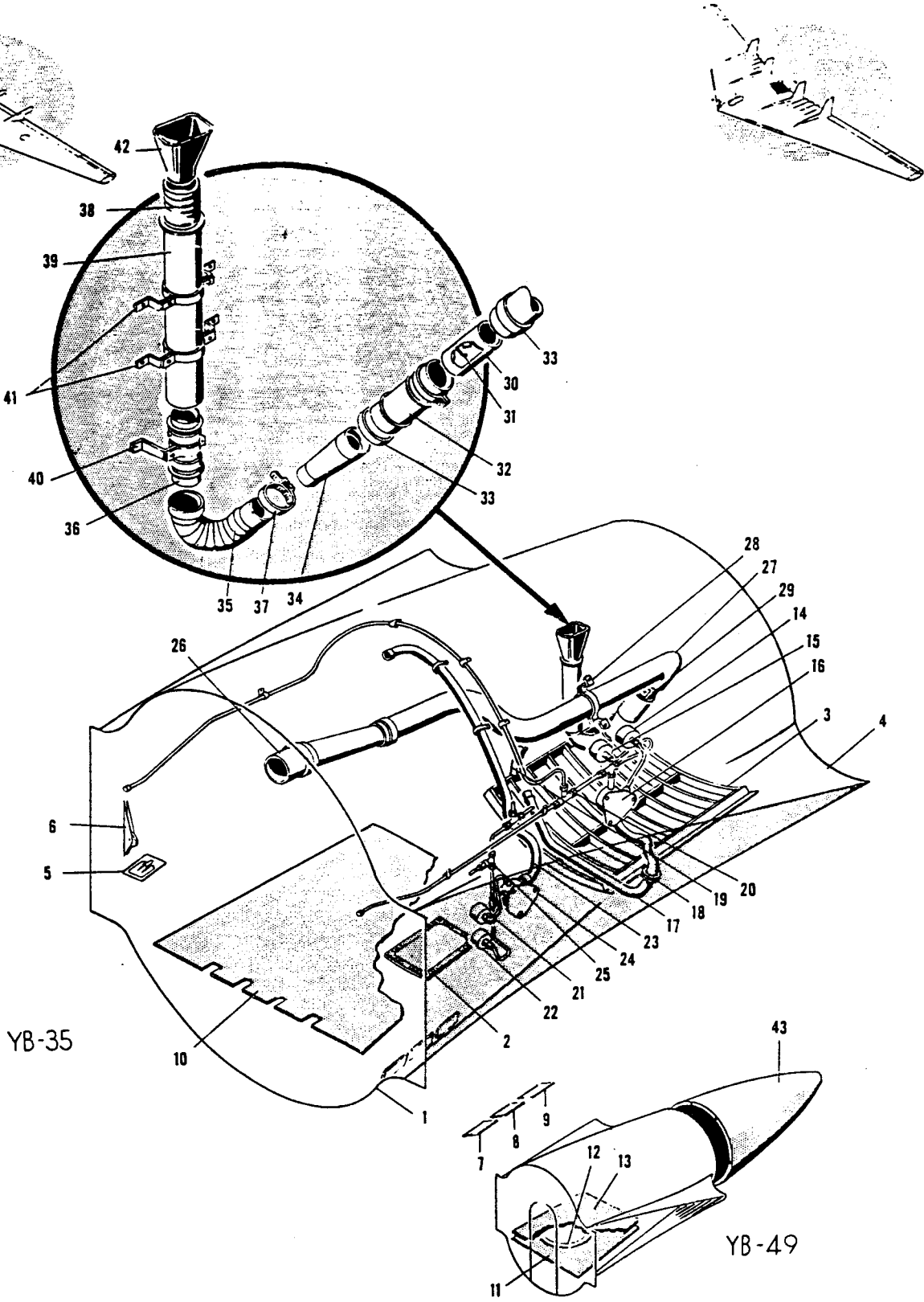


FIGURE 67—CREW NACELLE AFT SECTION

RESTRICTED

BODY GROUP
CREW NACELLE AFT SECTION

FIGURE & INDEX NUMBER	PART NUMBER	1	2	3	4	5	6	7	NOMENCLATURE	UNITS PER ASSEM	USAGE CODE
	575105								Aft Section Installation—Crew nacelle (For next assembly see page 96)	NP	ALL
	554532								Aft Section Assembly—Crew nacelle	1	ALL
	551149								Electrical Installation—Crew nacelle aft section (For detail breakdown see page 132)	NP	ALL
	551150								Electrical Installation—Crew nacelle aft section armament (For detail breakdown see page 132)	NP	C
	560530								Mechanism Installation—Crew nacelle rear section escape hatch (For detail breakdown see page 133)	NP	ALL
	551160								Electrical Installation—Tail turret (For detail breakdown see page 251)	NP	C
67 - 1	575103								Structure Assembly—Crew nacelle aft section	1	ALL
	575108								Structure Assembly—Crew nacelle sta 367 to 443 upper aft section	1	ALL
	575109								Structure Assembly—Crew nacelle sta 367-443 lower aft section	1	ALL
	559672								Fiberglass Installation—Marker beacon antenna	NP	DE
2	559672-2								Fiberglass—Laminated	1	DE
	575110								Structure Assembly—Crew nacelle sta 443 to 475 aft section	1	ALL
	575201								Door Installation—Crew nacelle sta 433 to 475 ammunition	NP	ALL
3	57201-10								Door Assembly—Crew nacelle sta 443 to 475 ammunition	1	ALL
4	575197								Fairing Assembly—Wing to crew nacelle stub LH	1	ALL
	575198								Fairing Assembly—Wing to crew nacelle stub RH	1	ALL
	560802								Door Installation—Crew nacelle aft section emergency release	NP	X
5	560802-20								Door Assembly—Crew nacelle aft section emergency release	1	X
6	AN210-1A								Pulley—Control	1	X
	560460								Window Installation—Crew nacelle station 367, 407.25	NP	X
	560460-22								Glass—Crew nacelle window	1	X
	560460-24								Glass—Crew nacelle window	1	X
	560460-26								Glass—Crew nacelle window	1	X
	560799								Floor Installation—Lower aft sighting station	NP	X
10	560799-2								Floor Assembly—Lower aft sighting station	1	X
	560799-500								Floor Installation—Lower aft sighting station	NP	DE
11	560799-6								Floor Assembly—Lower aft sighting station	1	DE
12	561041								Pan Installation—Lower sighting station	NP	DE
	556657								Floor Installation—Crew nacelle station 367 to 407.25	NP	DE
13	556657-2								Floor Assembly—Crew nacelle station 367 to 407.25	1	DE
	555159								Oxygen Equipment Installation—Crew nacelle aft section	NP	X
14	No Number								Indicator—Oxygen flow (Spec. AN-1-12) (GFP) (AER 45-1600)	1	X
15	No Number								Gage—Oxygen pressure (Spec. AN-1-13) (GFP) (AER 46-1400)	1	X
	AN530-6R10								Screw—Round head sheet metal	8	X
16	40465A								Regulator—Type A-14 (AER 46-2360)	1	X
17	555169-2								Tube Assembly—(Make from AN6003-4 less AN6002-18 (GFP) (AER 46-2650)	1	X
18	155723								Grommet—Oxygen tube	1	X
19	AN6003-6								Tube Assembly—(GFP) (AER 46-2700)	1	X
	555170								Line Assembly—Crew nacelle aft section oxygen	AR	X
20	AN6033-1								Valve—Low pressure oxygen check (Style D) (GFP) (AER 46-2765)	1	X
	560499								Oxygen Equipment Installation—Crew nacelle aft section lower sighting station	NP	C
21	AN6029-1								Indicator—Oxygen flow (GFP) (AER 46-1600)	1	C
22	AN6021-1A								Gage—Oxygen pressure (GFP) (AER 46-1400)	1	C
23	560499-2								Tube Assembly—(Make from AN6003-6A less AN6003-1B) (GFP) (AER 46-2700)	1	C
24	40465A								Regulator—Type A-14 (GFP) (AER 46-2360)	1	C
	560590								Line Assembly—Crew nacelle aft section lower sighting station oxygen	AR	C
25	AN6033-1								Valve—Low pressure oxygen check (Styled) (GFP) (AER 46-2765)	1	C
	556328								Duct Installation—Aft crew nacelle sta 367-443 heating and ventilating	NP	ALL
26	456336								Duct—Crew nacelle sta 367 reducer	1	ALL
27	3201080								Duct—(ARW)	1	ALL
28	456458								Bracket Assembly—Crew nacelle aft cabin heating ventilating duct support	3	ALL
	456459								Bracket Assembly—Crew nacelle aft cabin 3.125 diameter heating and ventilating support	2	ALL
29	456357								Valve Assembly—Crew nacelle sta 443 defrosting	1	ALL
30	256144								Valve—Heating and ventilating 3.00 diameter	1	ALL
31	256369								Handle—Heating and ventilating crew nacelle sta 443 valve	1	ALL
32	3201070								Duct—Heating and ventilating (ARW)	1	ALL
33	A3122-48-59								Clamp—(TIN)	3	ALL
34	456335								Duct—Crew nacelle sta 443 reducer	1	ALL
35	3201060								Duct—Heating and ventilating (ARW)	1	ALL
36	256337								Sleeve—Crew nacelle sta 443	1	ALL
37	A3122-32-59								Clamp—(TIN)	3	ALL
38	1829-2x20								Duct—Heating and ventilating (ACR) (20" relaxed length 40" extended)	1	ALL
39	456333								Sheath—Crew nacelle sta 443 defrosting duct	1	ALL
40	456461								Bracket Assembly—Crew nacelle aft cabin sta 443-2.00 heating and ventilating duct support	1	ALL
41	456460								Bracket Assembly—Crew nacelle aft cabin sta 443 heating and ventilating duct support	2	ALL
42	CP200								Nozzle—Defrosting (Calplasti Co. Los Angeles)	1	ALL
	451719-500								Fairing Installation—Crew nacelle tail	NP	DE
43	45719-26								Fairing Assembly—Crew nacelle tail	1	DE

BODY GROUP

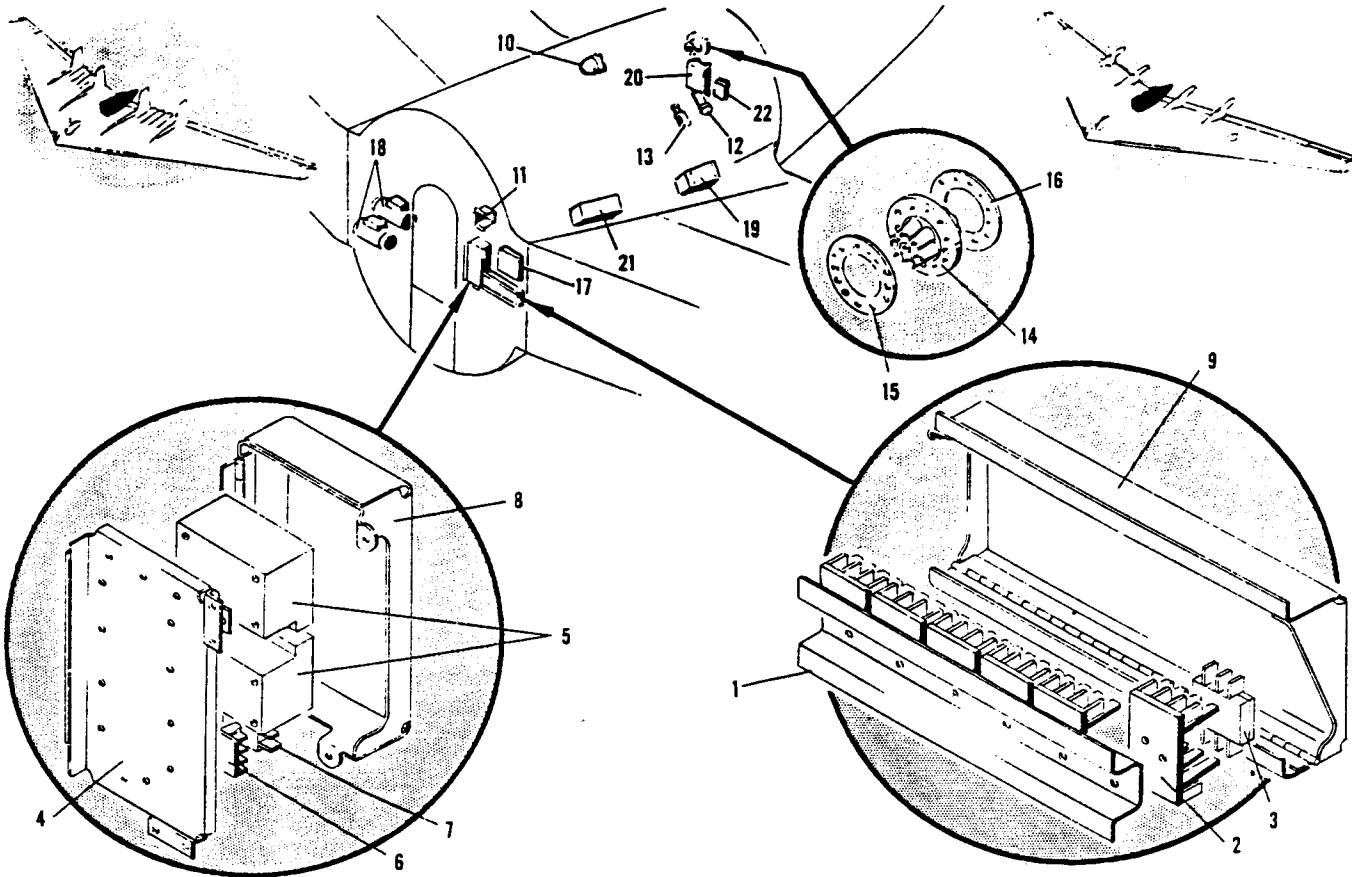


FIGURE 68—CREW NACELLE AFT SECTION ELECTRICAL AND ARMAMENT ELECTRICAL

CREW NACELLE AFT SECTION ELECTRICAL AND ARMAMENT ELECTRICAL

FIGURE & INDEX NUMBER	PART NUMBER	1	2	3	4	5	6	7	NOMENCLATURE	UNITS PER ASSEM	USAGE CODE
									Crew Nacelle Aft Section Electrical and Armament Electrical		
	551149								Electrical Installation—Crew nacelle aft section (For detail breakdown see page 131)	NP	ALL
	555392								Panel Assembly—A.C. sectionalizing sta 367 complete	1	ALL
68 - 1	455393								Panel Assembly—A.C. sectionalizing sta 367 complete	1	ALL
2	F342								Base—Limiter (BE)	6	ALL
3	F1L40								Limiter—(BE)	18	ALL
	555490								Panel Assembly—Flap relay complete	1	ALL
4	555491								Panel Assembly—Flap relay	1	ALL
5	9565H8								Relay—Type 650 (CUT)	2	ALL
6	F3H1								Base—Limiter (BE)	1	ALL
7	F1L30								Limiter—(BE)	3	ALL
8	555492								Cover Assembly—Flap relay panel	1	ALL
9	555685								Cover Assembly—A.C. sectionalizing panel crew nacelle sta 367	1	ALL
10	No Number								Bell—Alarm (Spec. 50291B) (Gray Bar)	1	ALL
	F3H1								Base—Limiter—(BE)	1	ALL
	F1L30								Limiter—(BE)	3	ALL
11	559005								Panel Installation—Aft cabin light circuit breaker	NP	ALL
	AN3160-10								Circuit Breaker—Single pole non trip free	2	ALL
	560276								Lamp Installation—C-4A and C-8 aft sighting station	NP	ALL
12	No Number								Lamp Assembly—Type C-8 (Spec. 32451) (GMC)	1	ALL
13	No Number								Lamp Assembly—Type C-4A (Spec. 94-32294C) (LG)	1	ALL
14	BDS1354B								Plug—Pressurized (TOM)	1	ALL
15	255064								Gasket—Large pressurized electrical plug	1	ALL
16	255066								Shield—Large pressurized electrical plug	1	ALL
	666-8								Clip—Harness (AP)	3	ALL
	551150								Electrical Installation—Crew nacelle aft section armament (For next assembly see page 131)	NP	C
17	456149-500								Panel Assembly—Forward armament D.C. limiter	1	C
	F3H2								Base—Limiter (BE)	3	C
	F1L60								Limiter—(BE)	9	C
18	SAM41NJ5								Amplidyne—(GE dwg. K8167518) (GFP)	2	C
19	T9071322G1								Box—Tail control (GFP)	1	C
20	T9160226G1								Box—Tail booster control (GFP)	1	C
21	T9014031G1								Box—Lower system control (GFP)	1	C
22	AN3022-2								Switch—3-hole mounting single pole toggle	2	C
	49-1356								Guard—Switch (CUT)	1	C
	666-1								Clip—Harness (AP)	5	C
	666-10								Clip—Harness (AP)	2	C

BODY GROUP

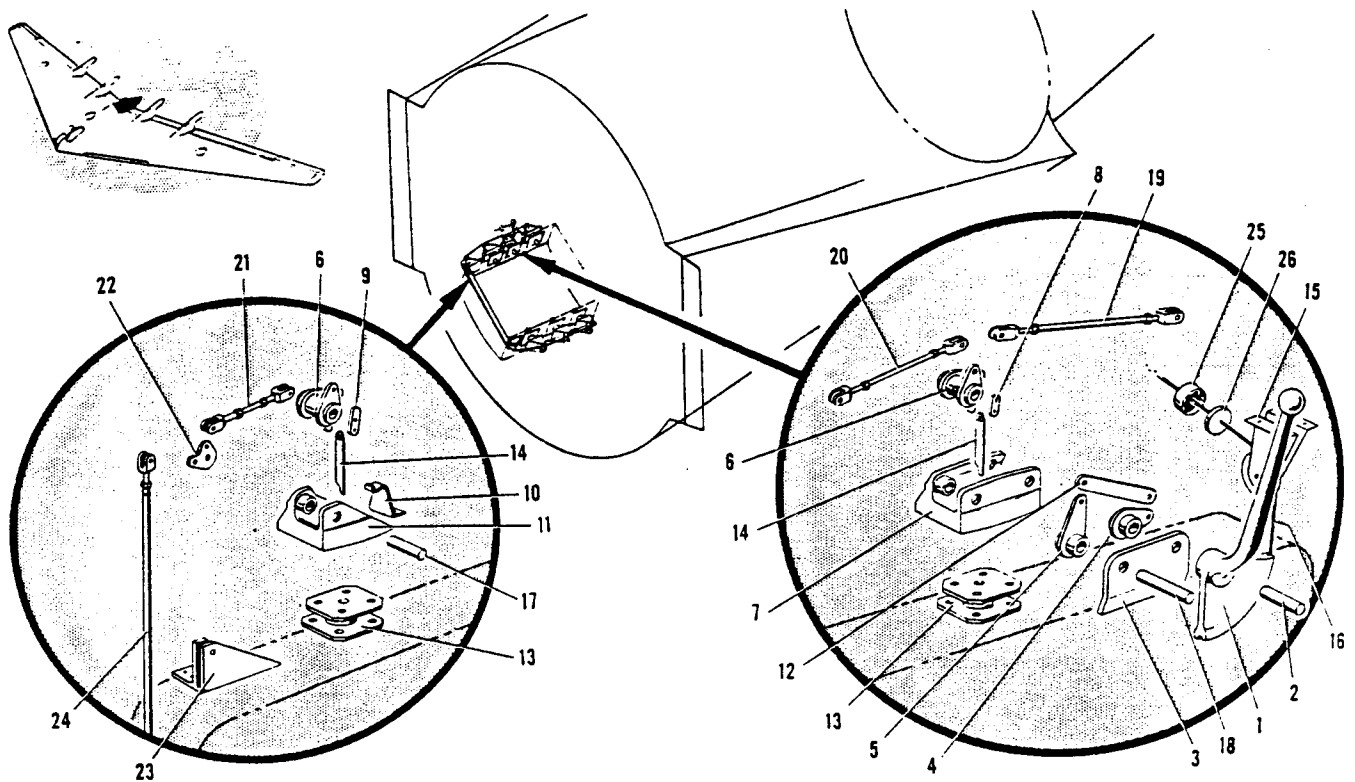


FIGURE 69—CREW NACELLE REAR ESCAPE HATCH MECHANISM

CREW NACELLE REAR ESCAPE HATCH MECHANISM

FIGURE & INDEX NUMBER	PART NUMBER	1	2	3	4	5	6	7	NOMENCLATURE	UNITS PER ASSEM	USAGE CODE
	560530								Mechanism Installation—Crew nacelle rear section escape hatch operating (For next assembly see page 131)	NP	CHMQR
69 - 1	460598								Handle—Crew nacelle rear section escape hatch operating lever	1	CHMQR
2	161600								Shaft—Crew nacelle rear section escape hatch handle	1	CHMQR
3	260603								Support—Crew nacelle rear section escape hatch	1	CHMQR
4	260601								Lever Assembly—Crew nacelle rear section escape hatch handle	1	CHMQR
5	260602								Drive Assembly—Crew nacelle rear section escape hatch dog	1	CHMQR
6	460604								Arm Assembly—Crew nacelle rear section escape hatch	6	CHMQR
7	460606								Support—Crew nacelle rear section escape hatch	1	CHMQR
8	160605								Link—Crew nacelle rear section escape hatch dog drive	10	CHMQR
9	161888								Link—Crew nacelle rear section escape hatch dog drive	1	CHMQR
10	161887								Spring—Crew nacelle rear section escape hatch operating mechanism safety	1	CHMQR
11	460709								Support—Crew nacelle rear section escape hatch link	5	CHMQR
12	160599								Link—Crew nacelle rear section escape hatch handle lever	1	CHMQR
13	260608								Bearing—Crew nacelle rear section escape hatch dog	6	CHMQR
14	180864-1								Dog—Crew nacelle hatches	6	CHMQR
15	460610								Pulley Assembly—Crew nacelle rear section escape hatch pulley	1	CHMQR
16	460609								Cable Assembly—Crew nacelle rear section escape hatch	1	CHMQR
17	160607-2								Shaft—Crew nacelle rear section escape hatch drive	5	CHMQR
18	160607-4								Shaft—Crew nacelle rear section escape hatch drive	1	CHMQR
19	82R101-738								Rod Assembly—Control threaded ends	1	CHMQR
20	NAS94-512								Rod Assembly—Control threaded ends	1	CHMQR
21	NAS94-275								Rod—Control 1/4 solid steel	1	CHMQR
22	160707								Link—Crew nacelle rear section escape hatch	2	CHMQR
23	260708								Support—Crew nacelle rear section escape hatch link corner LH	1	CHMQR
	260708-1								Support—Crew nacelle rear section escape hatch link corner RH	1	CHMQR
24	260842								Rod Assembly—Crew nacelle rear side escape hatch	1	CHMQR
	NAS94-475								Rod—Control 1/4 solid steel	1	CHMQR
	NAS94-725								Rod—Control 1/4 solid steel	1	CHMQR
	NAS94-625								Rod—Control 1/4 solid steel	1	CHMQR
	AN486-1								Clevis—Rod end adjusting	8	CHMQR
	AN486-2								Clevis—Rod end adjusting	6	CHMQR
	AN24-13								Bolt—Clevis (1/4-28)	4	CHMQR
	AN24-14								Bolt—Clevis (1/4-28)	4	CHMQR
	AN24-10								Bolt—Clevis (1/4-28)	4	CHMQR
	AN320-4								Nut—Aircraft shear	2	CHMQR
	AN316-4R								Nut—Aircraft check	10	CHMQR
	AN960C416								Washer—Plain	14	CHMQR
									Washer—Plain	10	CHMQR
25	1-21109								Container—Air pressure seal (BO)	1	CHMQR
26	1-21113								Cap—Air pressure seal (BO)	1	CHMQR
	1-21114								Packing—Air pressure seal (BO)	1	CHMQR

BODY GROUP

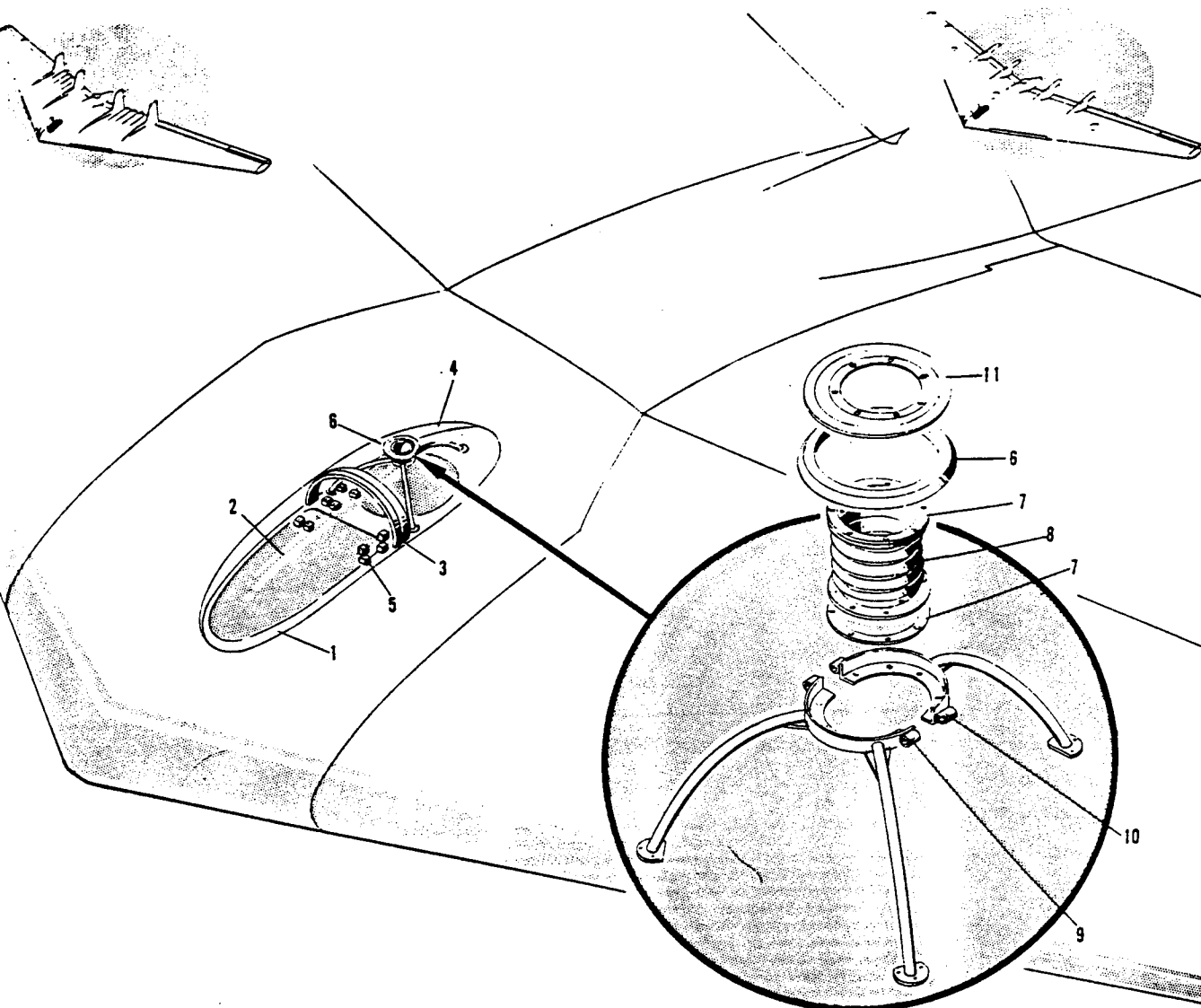


FIGURE 70—PILOT'S ENCLOSURE

PILOT'S ENCLOSURE

FIGURE & INDEX NUMBER	PART NUMBER	NOMENCLATURE	UNITS PER ASSEM	USAGE CODE
		1 2 3 4 5 6 7		
	579014	Enclosure Installation—Pilot's (For next assembly see page 96)		
70 - 1	579014-600	Enclosure Assembly—Pilot's	1	ALL
	579014-601	Glass Assembly—Pilot's enclosure	1	ALL
2	579014-643	Enclosure—Forward glass	1	ALL
3	579014-642	Band—Glass	1	ALL
4	579014-644	Enclosure—Aft glass	1	ALL
5	579014-637	Block—Glass	10	ALL
6	579014-638	Collar—Glass	1	C
7	459539	Retainer—Enclosure to periscope seal	2	C
8	459500	Seal Assembly—Periscope to enclosure	1	C
	555557	Support Installation—Forward gunners periscope	NP	C-F
9	555557-2	Support Assembly—Forward gunners periscope	1	C-F
10	555557-18	Support Assembly—Rear gunners periscope	1	C-F
11	459501	Adapter Assembly—Forward enclosure to periscope seal	1	C

BODY GROUP

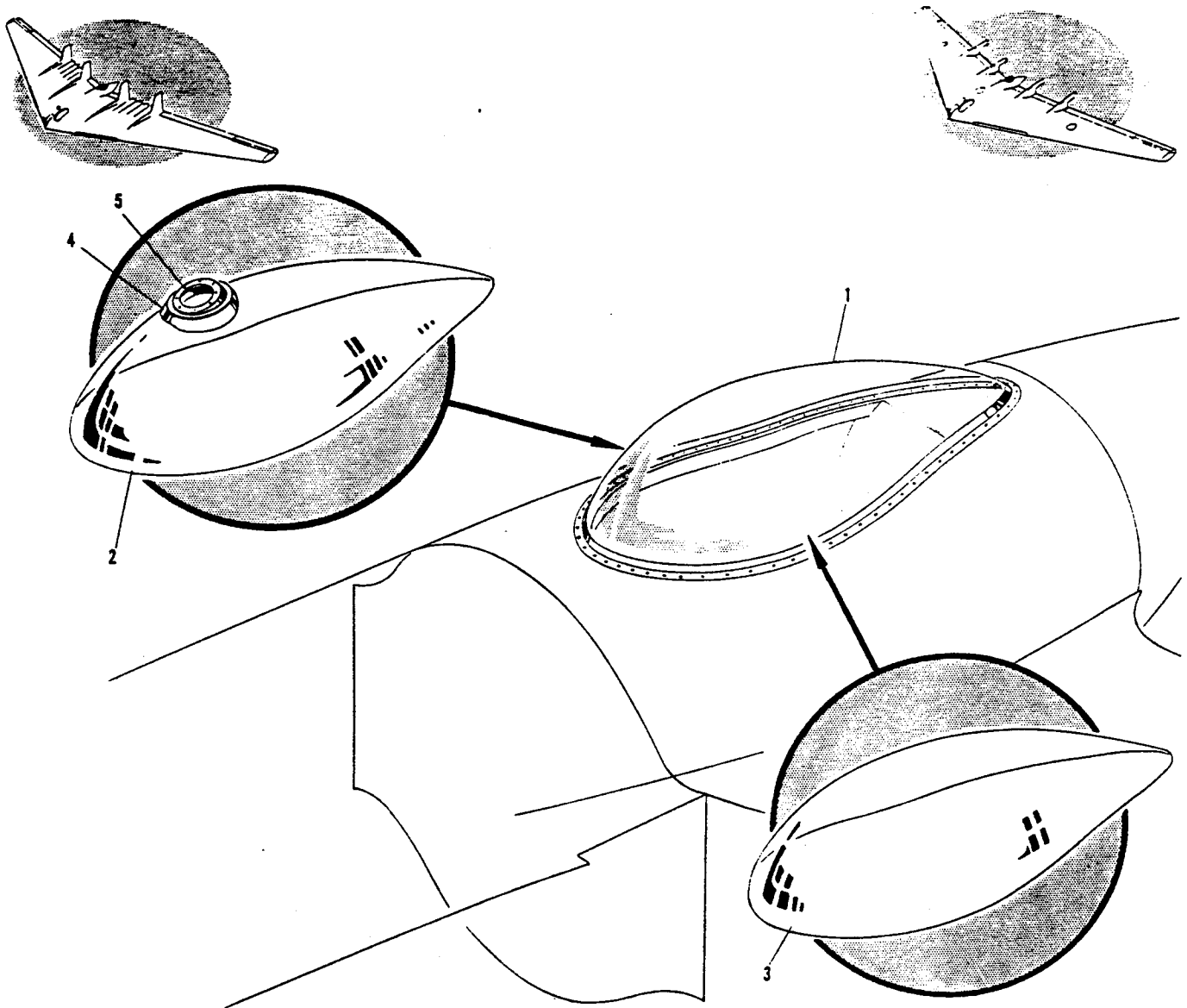


FIGURE 71—REAR UPPER GUNNER'S ENCLOSURE

REAR UPPER GUNNER'S ENCLOSURE		NOMENCLATURE							UNITS PER ASSEM	USAGE CODE
FIGURE & INDEX NUMBER	PART NUMBER	1	2	3	4	5	6	7		
	579015	Enclosure Installation—Rear upper gunner (For next assembly see page 96)							NP	C
	579015-500	Enclosure Installation—Rear upper gunner (For next assembly see page 96)							NP	DE
	579015-2	Enclosure Assembly—Rear upper gunner							1	C
71 - 1	579015-34	Enclosure Assembly—Rear upper gunner							1	D-R
2	579015-40	Enclosure—Glass							1	C
3	579015-4	Enclosure—Glass							1	D-R
4	579015-6	Fairing—Glass							1	C
5	459499	Adapter Assembly—Rear enclosure to periscope seal							1	C

BODY GROUP

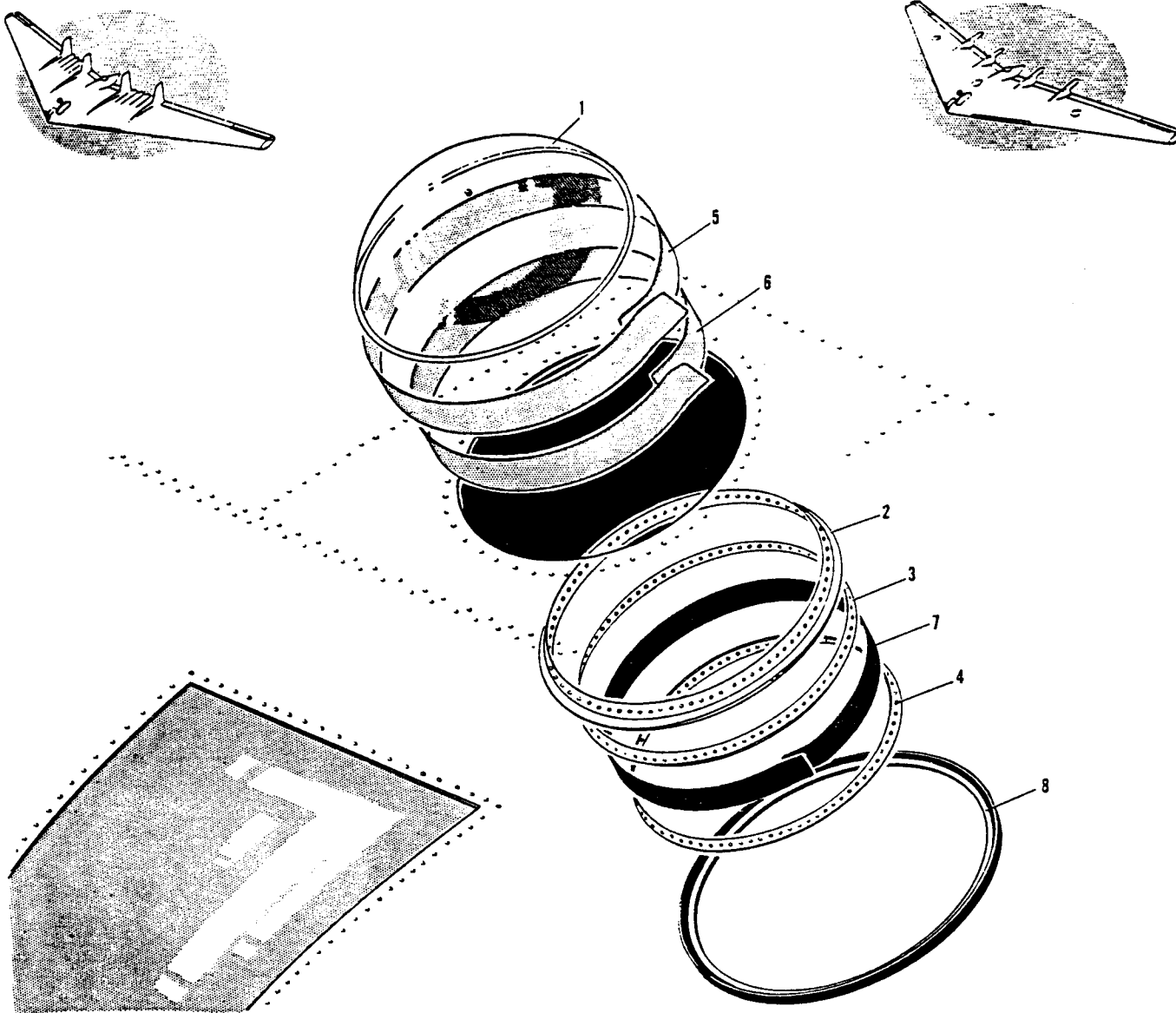


FIGURE 72—ASTRADOME

ASTRADOME

FIGURE & INDEX NUMBER	PART NUMBER	1	2	3	4	5	6	7	NOMENCLATURE	UNITS PER ASSEM	USAGE CODE
	279013								Astradome Installation—(For next assembly see page 96)	NP	ALL
	560693								Astradome Assembly—Crew nacelle	1	ALL
72 - 1	560682								Astradome—Crew nacelle	1	ALL
2	460679								Ring—Crew nacelle astradome	1	ALL
3	460692								Retainer—Crew nacelle astradome	2	ALL
4	460727								Retainer—Crew nacelle astradome	2	ALL
5	560693-2								Web—Astradome	1	ALL
6	560693-4								Web—Astradome	1	ALL
7	560693-6								Seal—Astradome	1	ALL
8	280977								Retainer Assembly—Astradome	1	ALL

BODY GROUP

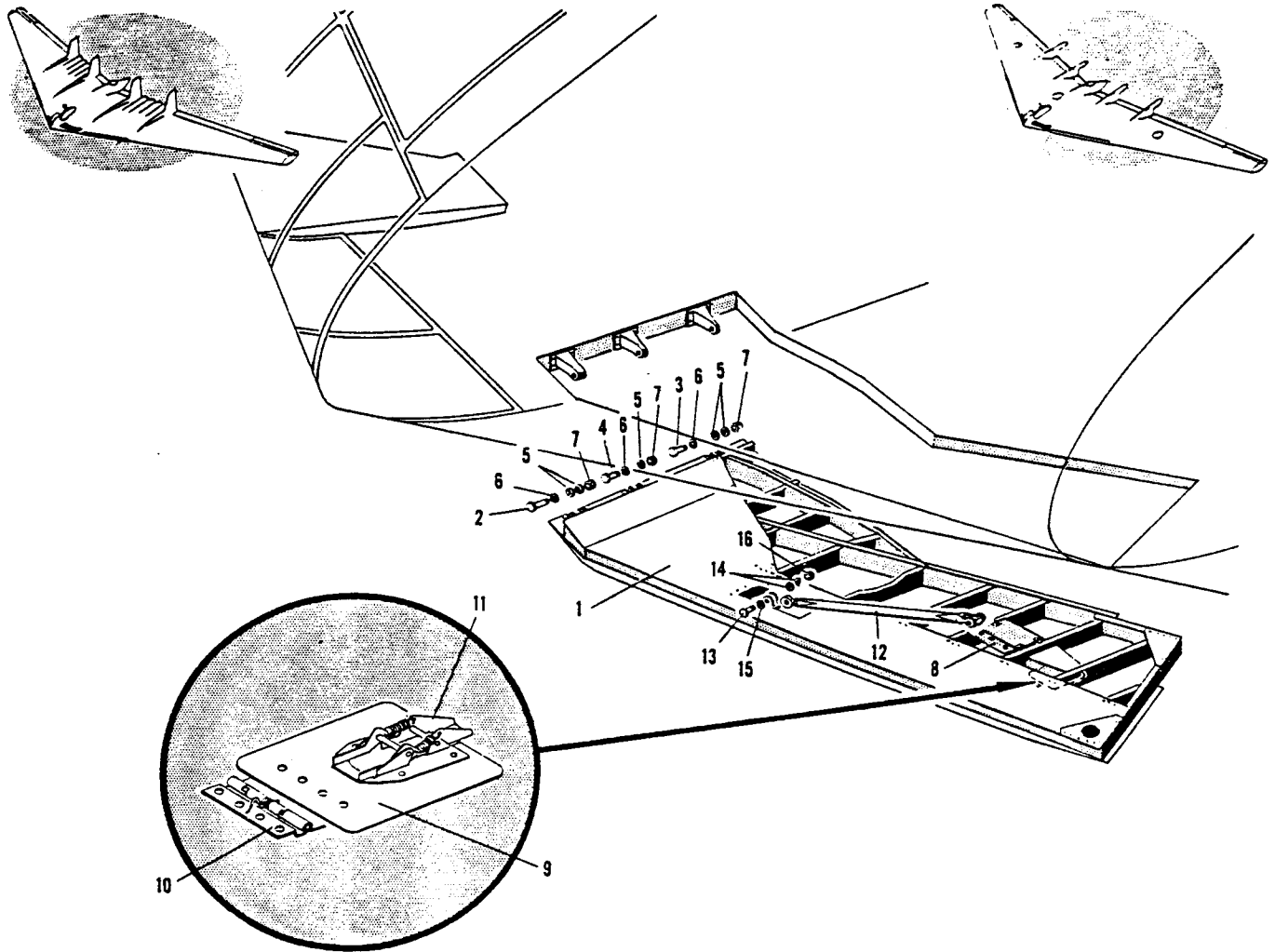


FIGURE 73—NOSE WHEEL SHOCK STRUT DOOR

		NOSE WHEEL SHOCK STRUT DOOR							UNITS PER ASSEM	USAGE CODE
FIGURE & INDEX NUMBER	PART NUMBER	1	2	3	4	5	6	7		
	581267	Door Installation—Nose wheel shock strut (For next assembly see page 96)							NP	ALL
73 - 1	581267-10	Door Assembly—Nose wheel shock strut							1	ALL
	Attaching Parts									
2	AN6-20A	Bolt—Aircraft (3/8-24)							1	ALL
3	AN6-14A	Bolt—Aircraft (3/8-24)							1	ALL
4	AN6-15A	Bolt—Aircraft (3/8-24)							1	ALL
5	AN960D616	Washer—Plain							5	ALL
6	AN960A616L	Washer—Plain							3	ALL
7	AN365-624	Nut—Self locking							3	ALL
8	459271	Bag Assembly—Nose landing gear locking bolt stowage							1	ALL
9	581267-605	Door—Nose wheel shock strut							1	ALL
10	H6081D1.8-032	Hinge Assembly—(HWL)							1	ALL
11	H4600-032-064	Latch Assembly—(HWL)							1	ALL
12	481406	Rod Assembly—Nose wheel strut door actuating							1	ALL
	Attaching Parts									
13	AN6-17A	Bolt—Aircraft (3/8-24)							1	ALL
14	AN960D616	Washer—Plain							2	ALL
15	AN960A616L	Washer—Plain							1	ALL
16	AN365-624	Nut—Self locking							1	ALL

BODY GROUP

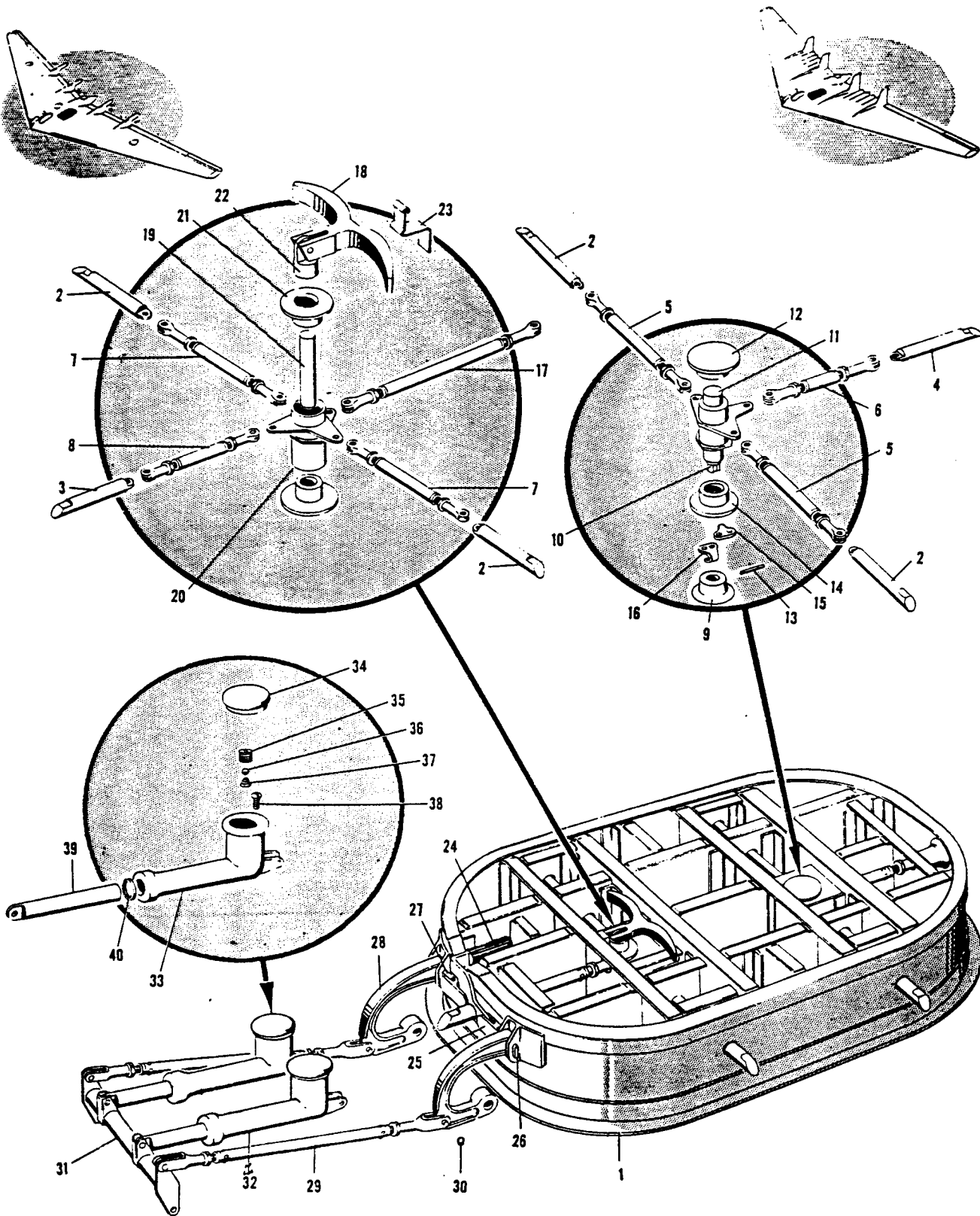


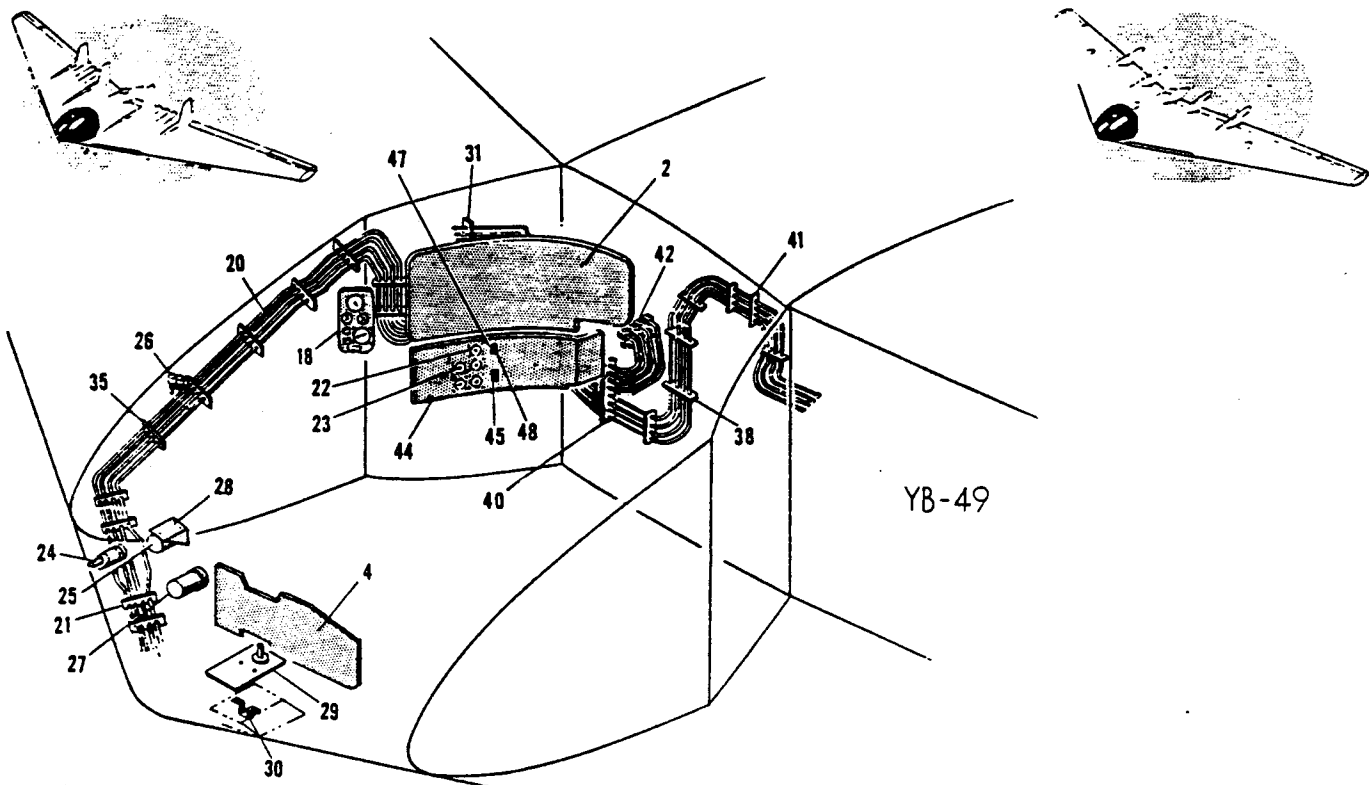
FIGURE 74—CREW NACELLE MAIN ENTRANCE DOOR

RESTRICTED

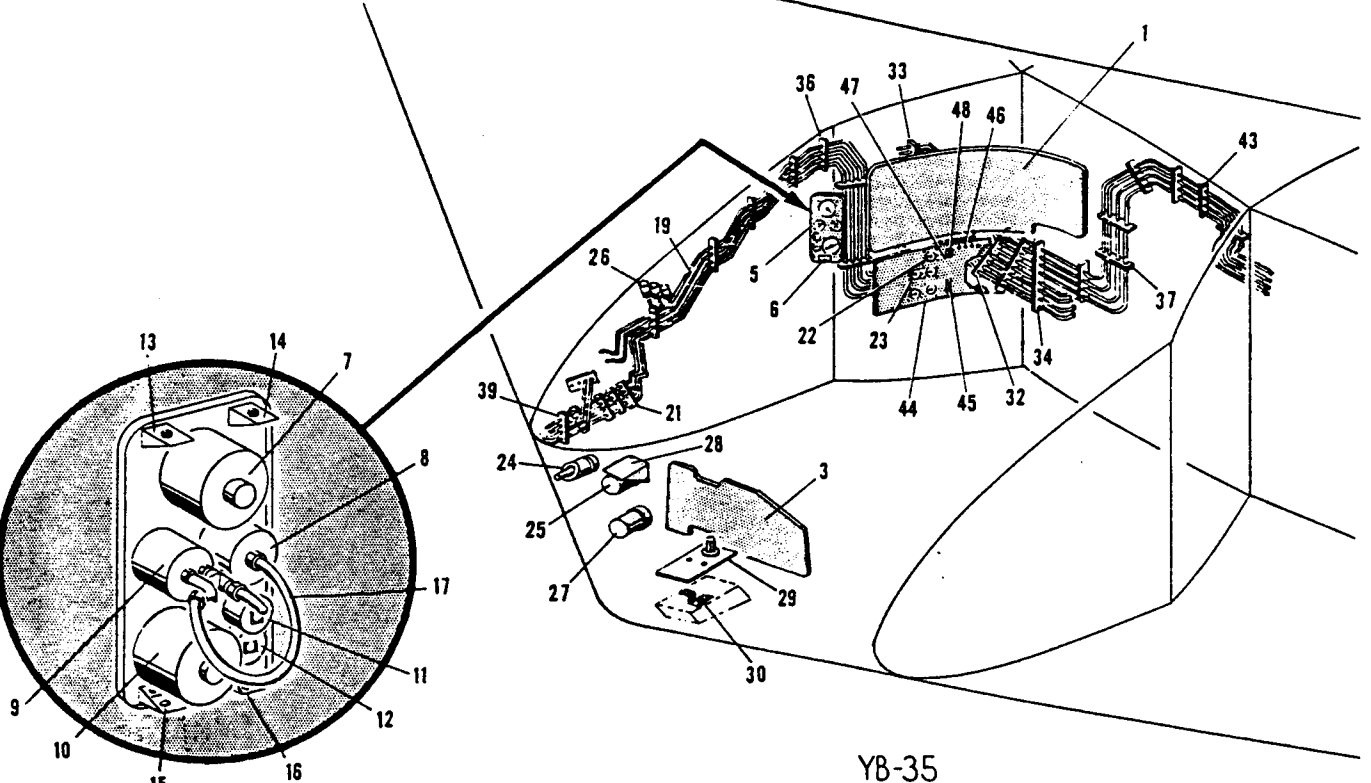
BODY GROUP
CREW NACELLE MAIN ENTRANCE DOOR

FIGURE & INDEX NUMBER	PART NUMBER	NOMENCLATURE							UNITS PER ASSEM	USAGE CODE
		1	2	3	4	5	6	7		
	575113	Door Installation—Crew nacelle main entrance (For next assembly see page 96)							NP	ALL
	575113-10	Door Assembly—Crew nacelle main entrance							1	ALL
74 - 1	575365	Frame Assembly—Crew nacelle main entrance door							1	ALL
	475364	Floor Assembly—Crew nacelle main entrance door							1	ALL
2	180864-1	Dog—Hatches crew nacelle							4	ALL
3	180864-2	Dog—Hatches crew nacelle							1	ALL
4	180864-3	Dog—Hatches crew nacelle							1	ALL
5	NAS116-10-3.063	Rod Assembly—Control riveted tube 1/2 outside diameter aluminum alloy, 1/4 adjustable clevis ends							2	ALL
6	NAS116-10-1.875	Rod Assembly—Control riveted tube 1/2 outside diameter aluminum alloy 1/4 adjustable clevis ends							1	ALL
7	NAS116-10-3.594	Rod Assembly—Control riveted tube 1/2 outside diameter aluminum alloy 1/4 adjustable clevis ends							2	ALL
8	NAS116-10-2.375	Rod Assembly—Control riveted tube 1/2 outside diameter aluminum alloy 1/4 adjustable clevis ends							1	ALL
9	275348	Handle Assembly—Crew nacelle main entrance door external							1	ALL
10	256186	Shaft—Crew nacelle main entrance door internal							1	ALL
11	275342	Shaft Assembly—Crew nacelle main entrance door aft external							2	ALL
	AN6227-17	Packing—"O" ring hydraulic							1	ALL
12	175338	Bearing—Crew nacelle main entrance door external shaft upper aft							1	ALL
13	575113-601	Pin—Crew nacelle main entrance door							1	ALL
14	175340	Bearing—Crew nacelle main entrance door external shaft lower aft							1	ALL
15	181296-1	Stop—Crew nacelle main entrance door handle							1	ALL
16	181296-2	Stop—Crew nacelle main entrance door handle							1	ALL
17	NAS116-10-8.188	Rod Assembly—Control riveted tube 1/2 outside diameter aluminum alloy 1/4 adjustable clevis ends							1	ALL
18	275355	Handle—Crew nacelle main entrance door internal							1	ALL
19	175360	Shaft—Crew nacelle main entrance door forward spider internal							1	ALL
20	275343	Shaft Assembly—Crew nacelle main entrance door forward external							1	ALL
	Attaching Parts									
	NAS221-10	Screw—Brazier head Phillips recess 10-32							12	ALL
	AN960D10	Washer—Plain							12	ALL
	AN960D10L	Washer—Plain							12	ALL
	AN364-1032	Nut—Self locking thin							12	ALL
21	175339	Bearing—Crew nacelle main entrance door external shaft upper forward							1	ALL
22	175336	Adapter—Crew nacelle main entrance door inner shaft to handle							1	ALL
23	175488	Spring—Main entrance door internal handle retaining							1	ALL
24	275363	Handle Assembly—Crew nacelle main entrance door emergency release							1	ALL
25	181269	Link—Crew nacelle main entrance door release mechanism							2	ALL
26	181271-1	Key—Crew nacelle main entrance door hinge							1	ALL
27	181271-2	Key—Crew nacelle main entrance door hinge							1	ALL
28	459007	Hinge—Crew nacelle main entrance door							2	ALL
29	NAS111-9-8.8	Rod Assembly—Control riveted tube 3/8 outside diameter aluminum alloy 1/4 adjustable clevis ends							2	ALL
30	NAS51-18	Ring—External retainer							2	ALL
31	460714	Tube Assembly—Crew nacelle main entrance door snubber actuating torque							1	ALL
32	414052	Cylinder Assembly—Pilot's door snubber							2	ALL
33	414040	Housing—Pilot's door snubber cylinder							1	ALL
34	114044	Cap—Door snubber cylinder							1	ALL
35	114041	Seat—Door snubber cylinder valve							1	ALL
36	COMM	Ball—.1875 diameter							1	ALL
37	114042	Spring—Door snubber cylinder valve							1	ALL
38	116224	Set—Door snubber cylinder							1	ALL
39	214038	Rod—Door snubber cylinder piston							1	ALL
40	AN6227-12	Packing—"O" ring hydraulic							1	ALL

BODY GROUP



YB-49



YB-35

FIGURE 75—CREW NACELLE INSTRUMENTS

RESTRICTED

BODY GROUP
CREW NACELLE INSTRUMENTS

FIGURE & INDEX NUMBER	PART NUMBER	NOMENCLATURE							UNITS PER ASSEM	USAGE CODE
		1	2	3	4	5	6	7		
	551097-500	Instrument Installation—Crew nacelle (For next assembly see page 96)							NP	X
	556840	Instrument Installation—Crew nacelle (For next assembly see page 96)							NP	DE
75 - 1	552125	Panel Installation—Flight engineer's instrument (For detail breakdown see page 143)							NP	X
2	556599	Panel Installation—Flight engineer's instrument (For detail breakdown see page 143)							NP	DE
	552123	Panel Installation—Pilot's and co-pilot's instrument (For detail breakdown see page 144)							NP	ALL
3	551052	Panel Assembly—Pilot's and co-pilot's instrument complete							REF	X
4	556598	Panel Assembly—Pilot's and co-pilot's instrument complete							REF	DE
	552124	Panel Installation—Navigator's instrument							NP	X
5	550199	Panel Assembly—Navigator's instrument complete							1	X
	550198	Panel Assembly—Navigator's instrument							1	X
6	0153316-16	Plate—Radio call (GFP)							1	X
7	AN5752-1	Indicator—Gyro flux gate complete master (GFP)							1	X
8	671K03	Altimeter—(AER60-600) (GFP)							1	X
9	739BU03	Indicator—Airspeed (AER 60-4900) (GFP)							1	X
10	S46G 2938	Indicator—Radio compass (GFP)							1	T
	H41D7020	Indicator—Radio compass (GFP)							1	U
11	AN5790-6	Indicator—Thermometer (GFP)							1	X
12	AN5743-1A	Clock—1-7/8 inch dial (GFP)							1	X
13	450190-8	Bracket Assembly—Instrument panel mounting							1	X
14	450190-10	Bracket Assembly—Instrument panel mounting							1	X
15	450190-18	Bracket Assembly—Instrument panel mounting							1	X
16	450190-20	Bracket Assembly—Instrument panel mounting							1	X
17	AN856A4A	Hose Assembly—Low pressure swivel							3	X
18	550199	Panel Assembly—Navigator's instrument complete							1	DE
	550198	Panel Assembly—Navigator's instrument							1	DE
	0153316-16	Plate—Radio call (GFP)							1	DE
	AN5752-1	Indicator—Gyro flux gate complete master (GFP)							1	DE
	671K03	Altimeter—(AER 60-600) (GFP)							1	DE
	739BU03	Indicator—Airspeed (AER 60-4900) (GFP)							1	DE
	S46G 2938	Indicator—Radio compass (GFP)							1	DE
	AN5790-6	Indicator—Thermometer (GFP)							1	DE
	AN5743-1A	Clock—1-7/8 inch dial (GFP)							1	DE
	450190-8	Bracket Assembly—Instrument panel mounting							1	DE
	450190-10	Bracket Assembly—Instrument panel mounting							1	DE
	450190-18	Bracket Assembly—Instrument panel mounting							1	DE
	450190-20	Bracket Assembly—Instrument panel mounting							1	DE
	AN856A4A	Hose Assembly—Low pressure swivel							2	DE
	AN855A4A	Hose Assembly—Low pressure flared tube swivel							1	DE
19	552269	Line Assembly—Crew nacelle instruments (For detail breakdown of pitot static system see page 295)							1	DE
20	556965	Line Assembly—Crew nacelle instruments (For detail breakdown of pitot static system see page 295)							NP	DE
21	454940-18	Support Assembly—Crew nacelle lower leading edge beam instrument lines							4	ALL
22	AN5771-7A	Gage—Single 1-7/8 dial pressure							1	ALL
23	AW1-7-8-17DA	Gage—Pressure (UG)							4	ALL
	553817	Thermometer Installation—Bombardiers direct reading							NP	ALL
24	1592	Thermometer—Type C-13B (AER 61-9150) (GFP)							1	ALL
25	No Number	Indicator—True air speed type G-1 (AER 60-4955) (GFP)							1	ALL
26	AN5525-1	Bulb—Thermometer (GFP)							3	ALL
27	AN5733-2	Compass—Pilot's (GFP)							1	ALL
28	557186	Bracket Assembly—Bombardier's air speed indicator							1	ALL
29	456120	Cover—Airspeed indicator temperature bulb box							1	ALL
30	256121	Support—Airspeed indicator temperature bulb box							1	ALL
	456122	Seal—Airspeed indicator temperature bulb box cover							1	ALL
31	456966	Support Assembly—Flight engineer's instrument panel lines							1	DE
32	453593	Support Assembly—Flight engineer's instrument lines							1	X
33	453027	Support Assembly—Flight engineer's instrument panel							1	X
34	453561	Support Assembly—Crew nacelle instrument lines							2	X
35	256967	Support Assembly—Crew nacelle instrument lines							7	DE
36	454491	Support Assembly—Crew nacelle instrument lines							13	X
37	253560	Support Assembly—Crew nacelle front spar instrument lines							4	X
38	457119	Support Assembly—Crew nacelle front spar instrument lines							4	DE
39	256414	Support Assembly—Crew nacelle instrument lines							1	X
40	457118	Support Assembly—Flight engineer's instrument lines RH							3	DE
41	457123	Support Assembly—Crew nacelle front spar LH instrument lines							3	DE
42	260022	Vent Assembly—Fuel pressure gage							8	DE
43	456469	Support Assembly—Crew nacelle front spar LH instrument lines							3	X
	552573	Structure Installation—Flight engineer's structure lower (For next assembly see page 97)							NP	ALL
44	553042	Panel Assembly—Flight engineer's lower instrument							1	ALL
45	AN3023-3	Switch—Three hole mounting double pole toggle							1	ALL
46	44A18454-8	Lamp Assembly							4	X
	AN3121-313	Lamp—T3 1/4 bulb single contact miniature bayonet base							4	X
47	AN3022-2	Switch—Three hole mounting single pole toggle							1	ALL
48	AN3028-3	Guard—Toggle switch and switch breaker							1	ALL

BODY GROUP

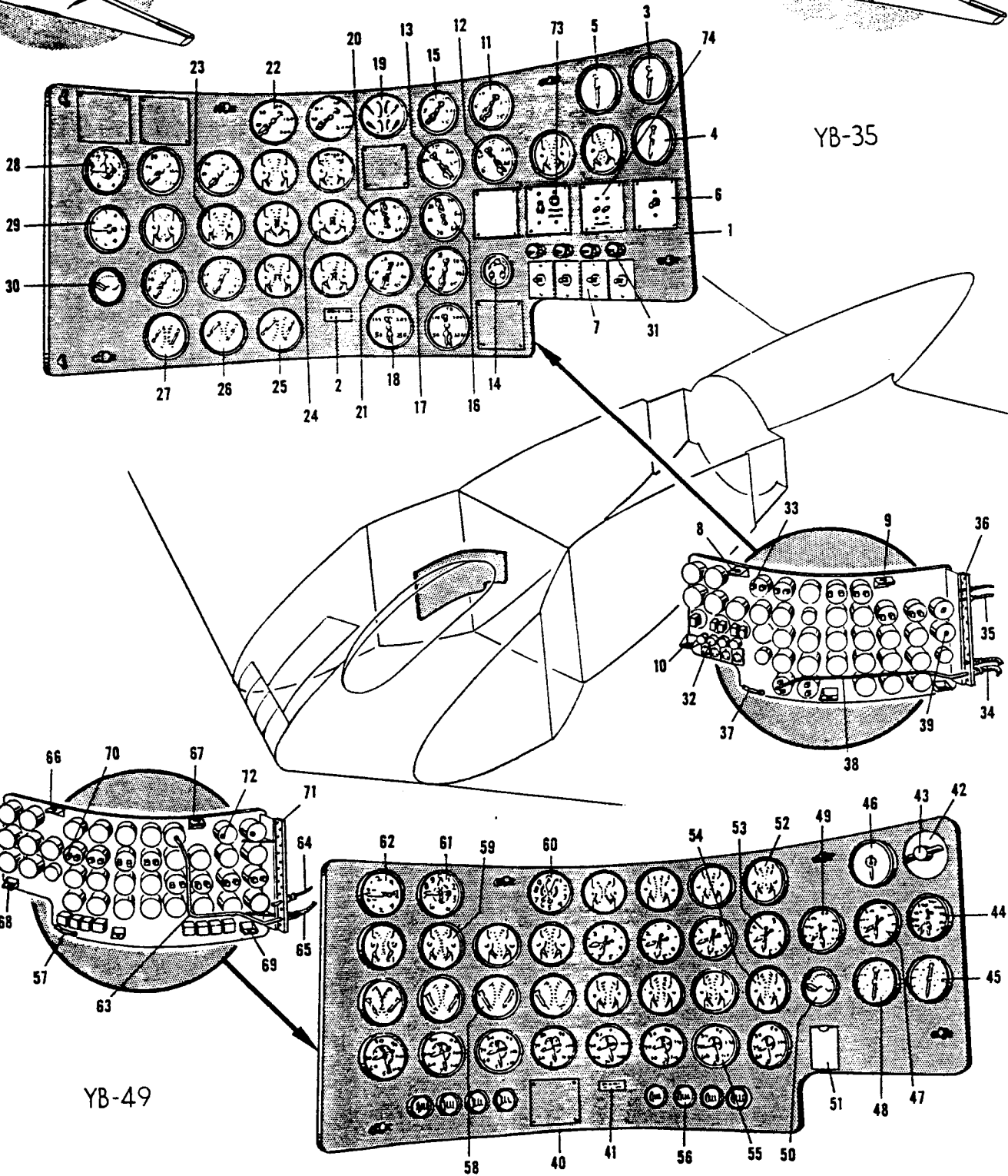
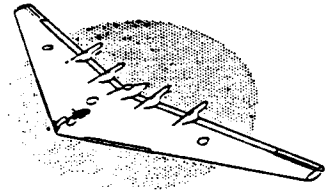
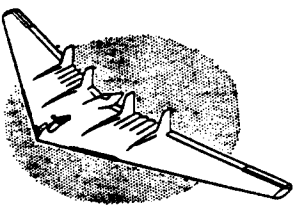


FIGURE 76—FLIGHT ENGINEER'S INSTRUMENT PANEL

BODY GROUP
FLIGHT ENGINEERS INSTRUMENT PANEL

FIGURE & INDEX NUMBER	PART NUMBER	NOMENCLATURE	UNITS PER ASSEM	USAGE CODE
		1 2 3 4 5 6 7		
	552125	Panel Installation—Flight engineer's instrument (For next assembly see page 141)	NP	X
76 - 1	551057	Panel Assembly—Flight engineer's instrument complete	1	X
	551058	Panel Assembly—Flight engineer's instrument	1	X
2	0153316-16	Plate—Radio call (GFP)	1	X
3	8DJ2LBL	Indicator—Fuel level (GE)	1	X
4	8DJ2LBN	Indicator—Fuel level (GE)	1	X
5	8DJ2LBM	Indicator—Fuel level (GE)	1	X
6	AN3023-1	Switch—3 hole mounting double pole toggle	4	X
7	66411	Switch—Hamilton standard propeller (GFP)	4	X
6	59363-1	Indicator—Hamilton standard propeller pitch (GFE)	4	X
7	61609-1	Switch—Hamilton standard propeller (GFE)	4	X
8	450186-12	Bracket Assembly—Instrument panel mounting	1	X
9	450186-14	Bracket Assembly—Instrument panel mounting	1	X
10	450186-24	Bracket Assembly—Instrument panel mounting	2	X
	450186-28	Bracket Assembly—Instrument panel mounting	1	X
11	AN5772-1-12	Gage—Fuel pressure (GFP)	1	X
12	6007-63A-28B	Indicator—Fuel flow (GFP)	1	C
13	6007-63A-27B	Indicator—Fuel flow (GFP)	1	X
14	AN5532-1	Indicator—Engine synchroscope (GFP)	1	X
15	AN5772-1-34	Gage—Fuel pressure (GFP)	1	X
16	AN5770-2A12	Gage—Manifold pressure (GFP)	1	X
17	AN5530-2A12	Indicator—Electric tachometer (GFP)	1	X
18	6962-197	Meter—Torque (GFP)	2	X
19	8DJ20ACR	Indicator—Oil level (GE)	1	X
20	AN5770-2A34	Gage—Manifold pressure (GFP)	1	X
21	AN5530-2A34	Indicator—Electric tachometer (GFP)	1	X
22	AN5772-2A	Gage—Oil pressure (GFP)	4	X
23	AN5795-6	Indicator—Thermometer (GFP)	6	X
24	AN5536-2	Indicator—Thermocouple (GFP)	2	X
25	459883	Indicator—Plenum chamber air exit door position	1	X
	8DJ29ABE	Indicator—Plenum chamber air exit door position (GE)	1	X
	AN5785-1	Transmitter—Plenum chamber air exit door position	2	X
26	459884-2	Indicator—Engine No. 1 and No. 2 air exit door position	1	X
	8KJ29ABD	Indicator—Engine No. 1 and No. 2 air exit door position (GE)	1	X
	AN5785-1	Transmitter—Engine No. 1 and No. 2 air exit door position	2	X
27	459884-4	Indicator—Engine No. 3 and No. 4 air exit door position	1	X
	8DJ29ABC	Indicator—Engine No. 3 and No. 4 air exit door position (GE)	1	X
	AN5785-1	Transmitter—Engine No. 3 and No. 4 air exit door position	2	X
	AN5761-1	Altimeter—Barometric index pressure (GFP)	1	X
	AN5825-3	Indicator—Rate of climb (GFP)	1	X
	AN5790-6	Indicator—Thermometer (GFP)	4	X
31	44A18454-4	Lamp Assembly	4	X
32	AN3121-313	Lamp—T-3-1/4 bulb single contact miniature bayonet base	4	X
33	AN5765-3	Valve—Bleed check (GFP)	16	X
34	AN855A4A	Hose Assembly—Low pressure flared tube swivel	10	X
35	AN855A2A	Hose Assembly—Low pressure flared tube swivel	16	X
36	450327	Support Assembly—Flight engineer's instrument panel lines	1	X
37	153274	Support Assembly—Flight engineer's instrument panel service	1	X
38	552966	Line Assembly—Flight engineer's instrument panel	NP	X
39	156705	Fitting—Instrument dust	2	X
40	556599	Panel Assembly—Flight engineer's instrument complete (For next assembly see page 141)	1	DE
	561793	Panel Assembly—Flight engineer's instrument	1	DE
41	0153316-16	Plate—Radio call (GFP)	1	DE
42	1331L	Switch—Fuel level selector (MAL)	1	DE
43	365	Knob—Selector switch (MAL)	1	DE
44	8DJ2LBT	Indicator—Fuel level—tank 7 and 8 (GE)	1	DE
45	8DJ2LBL	Indicator—Fuel level—tank 2 and 3 (GE)	1	DE
46	8DJ1LBA	Indicator—Fuel level—bomb bay tanks (GE)	1	DE
47	8DJ2LBR	Indicator—Fuel level—tank 6 and 9 (GE)	1	DE
48	8DJ2LBM	Indicator—Fuel level—tank 1 and 4 (GE)	1	DE
49	8DJ2LBS	Indicator—Fuel level—tank 5 and 10 (GE)	1	DE
48	8DJ2LBM	Indicator—Fuel level—tank 1 and 4 (GE)	1	DE
49	8DJ2LBS	Indicator—Fuel level—tank 5 and 10 (GE)	1	DE
50	AN5790-6	Indicator—Free air temperature (GFP)	1	DE
51	R121X	Holder Assembly—Correction (BKH)	4	DE
52	76AT3BC	Indicator—Bearing temperature type B-2 (GFP)	4	DE
53	1588	Indicator—Fuel pressure type C-17 (GFP)	4	DE
54	No Number	Indicator—Exhaust temperature type B-1A (GFP)	4	DE
55	C70BP-1	Indicator—Tachometer type E-21A (AER 61-8815) (GFP)	8	DE
56	AY62801-3	Indicator—Fuel flow type D-1 (Veeder-Root)	8	DE
57	153274	Support—Flight engineer's instrument panel service	1	DE
58	6755-306	Indicator—Pressure type O-2 (AER 61-2340) (GFP)	4	DE
59	AN5795-6	Indicator—Thermometer (GFP)	4	DE
60	AN5760-2A	Altimeter—Pressure (GFP)	1	DE
61	AN5761-1	Altimeter—Barometric index pressure (GFP)	1	DE
62	AN5825T5	Indicator—Rate of climb (GFP)	1	DE
63	557590	Line Assembly—Flight engineer's instrument panel	NP	DE
64	AN855A2A	Hose Assembly—Low pressure flared tube swivel	16	DE
65	AN855A4A	Hose Assembly—Low pressure flared tube swivel	9	DE
66	450186-12	Bracket Assembly—Instrument panel mounting	1	DE
67	450186-14	Bracket Assembly—Instrument panel mounting	1	DE
68	450186-24	Bracket Assembly—Instrument panel mounting	2	DE
69	450186-28	Bracket Assembly—Instrument panel mounting	16	DE
70	AN5765-3	Valve—Bleeder check (GFP)	1	DE
71	456966	Support Assembly—Flight engineer's instrument panel lines	2	DE
72	156705	Fitting—Instrument dust	1	X
73	AN3216-1	Switch	1	X
	AN3166-1	Actuator	1	X
74	AN3160-10	Circuit Breaker	3	X

BODY GROUP

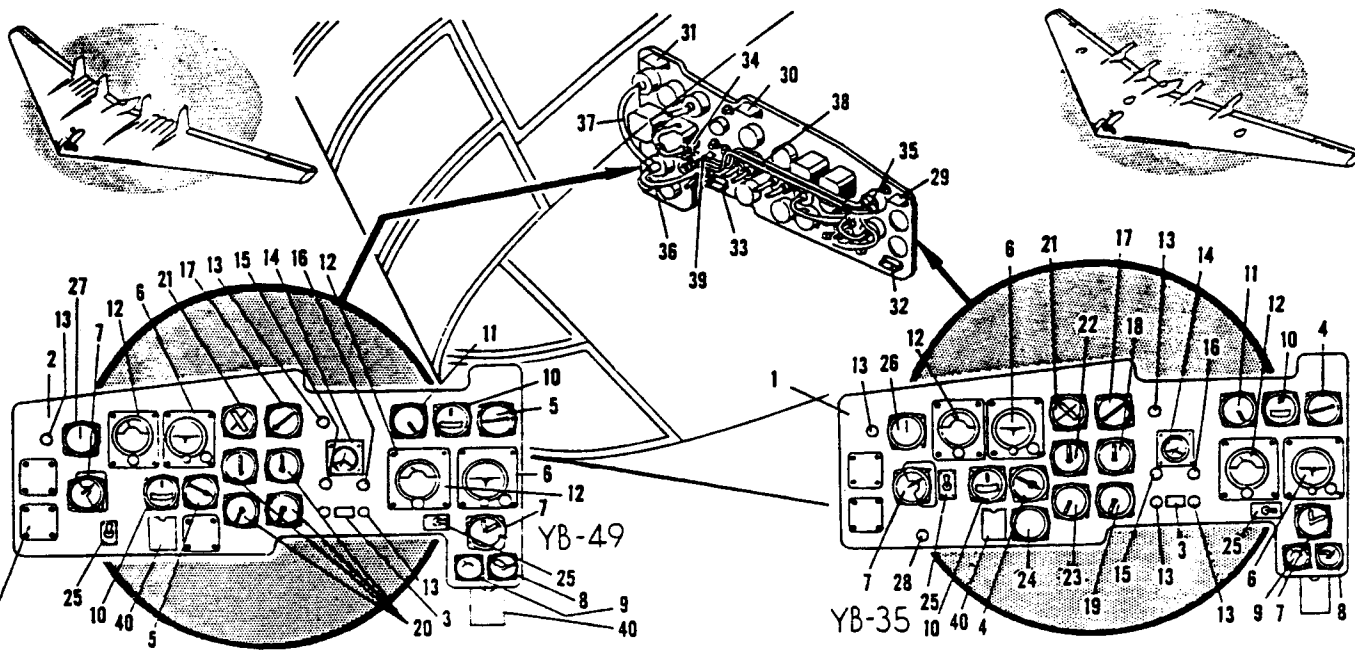


FIGURE 77—PILOT'S AND CO-PILOT'S INSTRUMENT PANEL

PILOT'S and CO-PILOT'S INSTRUMENT PANEL

FIGURE & INDEX NUMBER	PART NUMBER	NOMENCLATURE	UNITS PER ASSEM	USAGE CODE
		1 2 3 4 5 6 7		
	552123	Panel Installation—Pilot's and co-pilot's instrument (For next assembly see page 141)	NP	ALL
77 - 1	551052	Panel Assembly—Pilot's and co-pilot's instrument complete	1	X
2	556598	Panel Assembly—Pilot's and co-pilot's instrument complete	1	DE
	551054	Panel Assembly—Pilot's and co-pilot's instrument	1	ALL
3	0153316-16	Plate—Radio call (GFP)	1	ALL
4	AN5825-3	Indicator—Rate of climb (AER 60-6800) (GFP)	2	X
5	AN5825T5	Indicator—Rate of climb (AER 60-6900) (GFP)	2	DE
6	8KB2AC1	Indicator—Flight type E-1 (AER 60-5900) (GFP)	2	ALL
7	AN5760-2A	Altimeter—Pressure (AER 60-600) (GFP)	2	ALL
8	8DJ11PFC	Indicator—Flap position (GE)	1	ALL
9	AN5790-6	Indicator—Thermometer (AER 61-8902) (GFP)	1	ALL
10	AN5819-3	Indicator—Turn and bank type C-1 (AER 60-5500) (GFP)	2	ALL
11	739BU03	Indicator—Airspeed type F-1A (AER 60-4900) (GFP)	1	ALL
12	8KCIAC1	Indicator—Directional gyro type C-1 (AER 60-6100) (GFP)	2	ALL
13	44A18454-4	Lamp Assembly	4	ALL
	AN3121-313	Lamp—T3-1/4 bulb single contact miniature bayonet base	6	ALL
14	AN5743-1	Clock—1-7/8 inch dial	1	ALL
15	44A18454-3	Lamp Assembly	1	ALL
16	44A18454-2	Lamp Assembly	1	ALL
17	H41D7019	Indicator—Radio compass (GFP) (Type I-81) (AER 60-1451)	1	T
	XH45D24627	Indicator—Radio compass	1	U
18	AN5770-2A34	Gage—Manifold pressure (GFP)	1	X
19	AN5530-2A34	Indicator—Electric tachometer (GFP)	1	X
20	No Number	Indicator—Dual tachometer type E-22 (GFP)	4	DE
21	AN5730-2A	Indicator—Remote compass (GFP) (AER 60-1451)	1	ALL
22	AN5770-2A12	Gage—Manifold pressure (GFP)	1	X
23	AN5530-2A12	Indicator—Electric tachometer (GFP)	1	X
24	H43G8688	Indicator—Localizer (Type I-101) (GFP)	1	ALL
25	AN5831-1	Valve—Static pressure selector (GFP)	2	ALL
26	1426-37A-A6	Indicator—Airspeed type F-2 (AER 60-4925) (GFP)	1	X
27	No Number	Indicator—Airspeed type F-4 (GFP)	1	DE
28	44A18454-6	Lamp Assembly	1	U
	AN3121-313	Lamp—T3-1/4 bulb single contact miniature bayonet base	1	U
29	450186-8	Bracket Assembly—Instrument panel mounting	1	ALL
30	450186-12	Bracket Assembly—Instrument panel mounting	1	ALL
31	450186-14	Bracket Assembly—Instrument panel mounting	1	ALL
32	450186-22	Bracket Assembly—Instrument panel mounting	1	ALL
33	450186-26	Bracket Assembly—Instrument panel mounting	1	ALL
34	552093-2	Line Assembly—Pilot's and Co-pilot's instrument panel	1	X
35	AN6270-4-14	Hose Assembly—Detachable swivel fitting low pressure	5	ALL
36	AN855A+A	Hose Assembly—Low pressure flared tube swivel	11	ALL
37	AN856A+A	Hose Assembly—Low pressure flared tube swivel	11	ALL
	AN816-4D	Nipple—Flared tube and pipe thread	1	DE
	AN825-4D	Tee—Flared tube pipe thread on side	4	ALL
	AN826-4D	Tee—Flared tube pipe thread on run	4	ALL
	AN823-4D	Elbow—Flared tube pipe thread 45°	4	ALL
38	553038	Line Assembly—Pilot's instruments to manifold	NP	ALL
39	252270	Support—Pilot's and co-pilot's instrument lines bulkhead fitting	1	ALL
40	R121X	Holder Assembly—Correction card (BKH)	2	ALL

144 ↓
4/-1D165/APA-44 TIME TO GO dual indicator - WESTON ELECTRIC

BODY GROUP

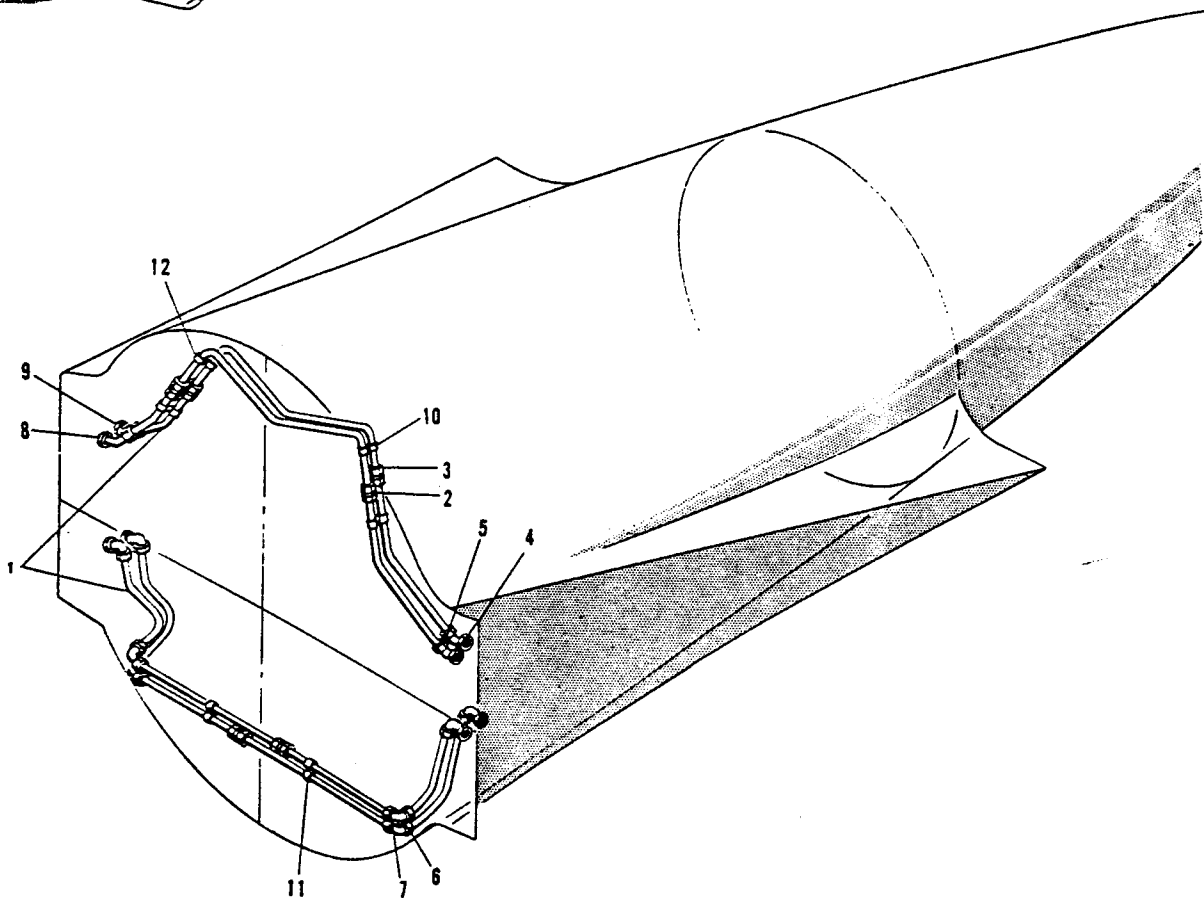
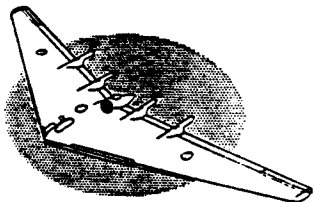
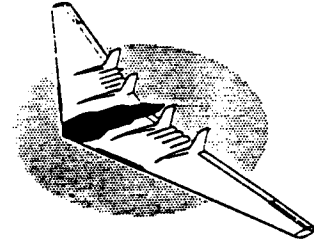
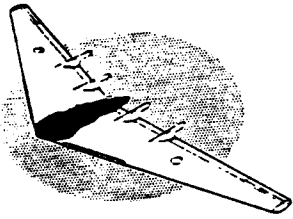


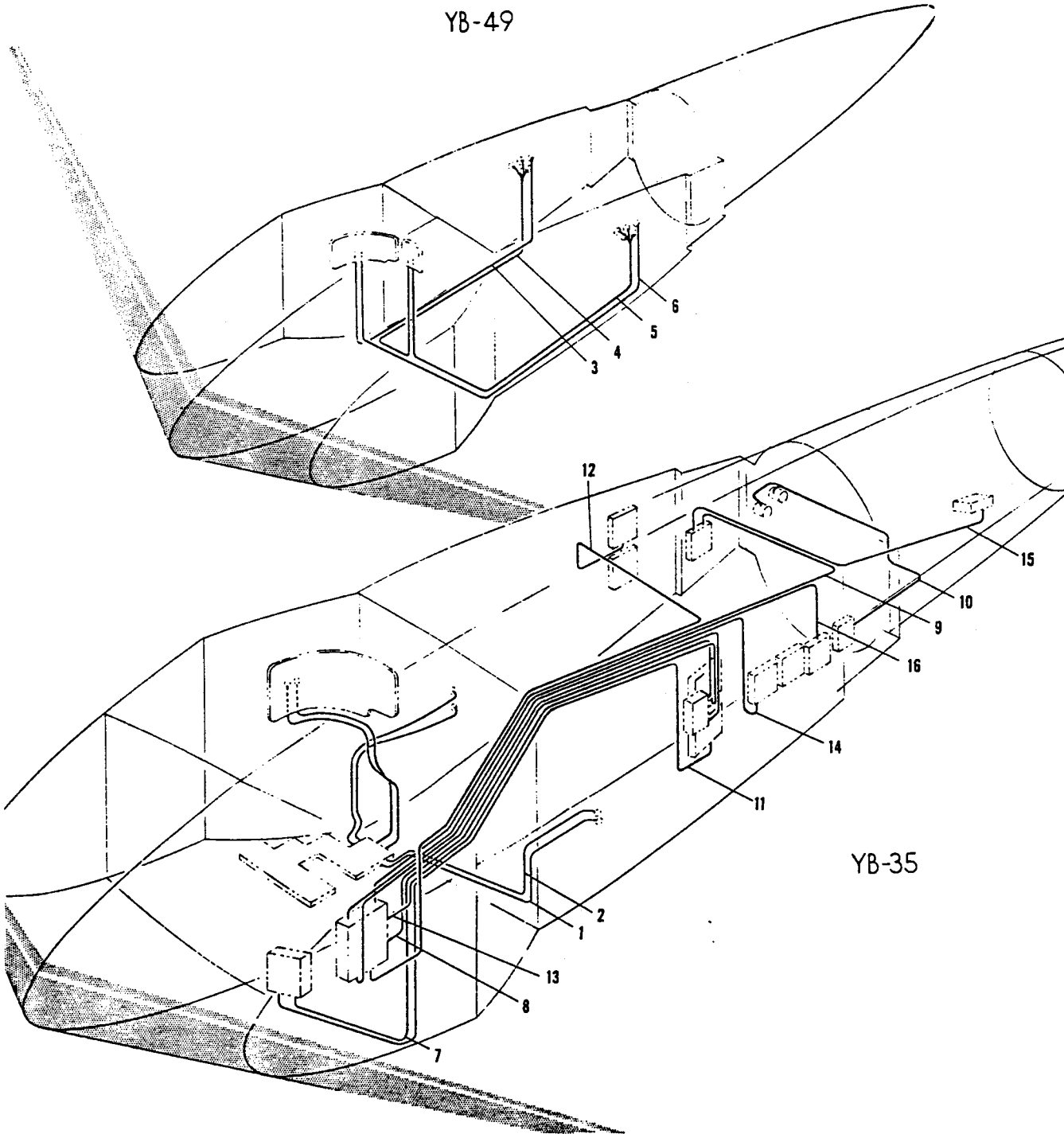
FIGURE 78—CREW NACELLE AFT SECTION HYDRAULICS

CREW NACELLE AFT SECTION HYDRAULICS		NOMENCLATURE							UNITS PER ASSEM	USAGE CODE
FIGURE & INDEX NUMBER	PART NUMBER	1	2	3	4	5	6	7		
	551154	Hydraulic Installation—Crew nacelle aft section (For next assembly see page 96)							NP	X
	553306	Lines Installation—Rear spar crew nacelle bulkhead hydraulic							NP	X
78 - 1	550845	Lines Assembly—Rear spar crew nacelle bulkhead hydraulic							NP	X
2	AN815-10D	Union—Flared tube							3	X
3	AN815-10	Union—Flared tube							3	X
4	AN837-10	Elbow—Flared tube bulkhead and universal 45°							2	X
5	AN837-10D	Elbow—Flared tube bulkhead and universal 45°							2	X
6	AN833-10	Elbow—Flared tube bulkhead and universal 90°							2	X
7	AN833-10D	Elbow—Flared tube bulkhead and universal 90°							2	X
8	AN924-10D	Nut—Flared tube universal							6	X
9	AN924-10	Nut—Flared tube universal							6	X
10	755-10-2-6	Clip—(AP)							4	X
11	755-10-2-6	Clip—(AP)							4	X
12	784-2-10	Clip—(AP)							4	X

BODY GROUP



YB-49



YB-35

FIGURE 79—CREW NACELLE ELECTRICAL AND ARMAMENT ELECTRICAL

RESTRICTED

BODY GROUP
CREW NACELLE ELECTRICAL AND ARMAMENT ELECTRICAL

FIGURE & INDEX NUMBER	PART NUMBER	NOMENCLATURE							UNITS PER ASSEM	USAGE CODE
		1	2	3	4	5	6	7		
		Crew Nacelle Electrical and Armament Electrical								
	551138	Electrical Installation—Crew nacelle (For next assembly see page 96)							NP	ALL
79 - 1	L509-25	Lead Assembly—Thermocouple (LEN)							2	X
2	L509-17	Lead Assembly—Thermocouple (LEN)							2	X
3	L545-30B	Lead Assembly—Thermocouple (LEN)							1	DE
4	L541-25	Lead Assembly—Thermocouple (LEN)							1	DE
5	L541-30	Lead Assembly—Thermocouple (LEN)							1	DE
6	L545-30	Lead Assembly—Thermocouple (LEN)							1	DE
	666-8	Clip—Harness (AP)							5	ALL
	666-6	Clip—Harness (AP)							7	ALL
	45C202-2	Clip—Electrical cable small							18	ALL
	45C201-2	Clip—Electrical cable small							20	ALL
	45C201-3	Clip—Electrical cable small							2	ALL
	551139	Electrical Installation—Crew nacelle armament (For next assembly see page 96)							NP	C
7	452193	Connector Assembly—Nose junction box to center amplidyne junction box							1	C
8	452195	Connector Assembly—Upper junction box to center amplidyne junction box							1	C
	454064	Cable Assembly—Center turret limiters to center turret AC power							2	C
	456071	Cable Assembly—Crew nacelle sta 367 AC section panel to tail amplidyne junction box							1	C
	456652	Cable Assembly—Left hand pressure plug "G" to upper junction box							1	C
	456653	Cable Assembly—Nose junction box to turret stowed indicator light & RH pressure plug "G"							1	C
	456813	Cable Assembly—Tail amplidyne junction box to tail amplidyne							1	C
9	456814	Connector Assembly—Upper junction box to tail junction box							1	C
	556821	Cable Assembly—Crew nacelle sta 189 terminal strip to tail & lower junction boxes & computers							1	C
10	456832	Connector Assembly—Tail amplidyne junction box to tail amplidyne							1	C
11	456902	Connector Assembly—Lower center amplifier to nose junction box							1	C
	456904	Cable Assembly—Upper junction box to RH pressure plug "G" No. 1							1	C
12	456906	Connector Assembly—Upper right servo amplifier to upper junction box							1	C
13	456909	Connector Assembly—Upper center servo amplifier to upper junction box							1	C
14	456911	Connector Assembly—Upper left servo amplifier to upper junction box							1	C
	456913	Cable Assembly—Upper junction box to LH pressure plug "G" No. 2							1	C
15	456915	Connector Assembly—Tail control box to tail junction box							1	C
16	456929	Connector Assembly—Junction boxes to capacitor box							1	C
	456933	Cable Assembly—Right hand pressure plug "G" to upper junction box No. 2							1	C
	456937	Cable Assembly—Nose junction box to turret pressure plug "Q"							1	C
	456945	Cable Assembly—Upper junction box to turret pressure plug "Q"							1	C
	459245	Cable Assembly—Lower junction box "B" to lower control box							1	C
	459246	Cable Assembly—Pressure plug "N" to tail amplidyne control boxes							1	C
	459247	Cable Assembly—Lower junction box "A" and upper junction box to 120 volt AC limiter							1	C
	459550	Cable Assembly—Lower sight to lower junction box "A" and interphone jackbox							1	C
	459551	Cable Assembly—Tail sight to tail junction box to interphone jackbox & transformer							1	C
	459243	Cable Assembly—Engine DC limiters to aft crew nacelle DC limiters panel							3	C
	460047	Cable Assembly—Engineer's DC panel to forward center cabin DC limiters							1	C
		Attaching Parts							15	C
	666-10	Clip—Harness (AP)							2	C
	666-4	Clip—Harness (AP)							15	C
	666-6	Clip—Harness (AP)							1	C
	651-8	Clip—Harness (AP)							3	C
	45C202-3	Clip—Electrical cable small							11	C
	45C202-4	Clip—Electrical cable small							11	C

LANDING GEAR GROUP

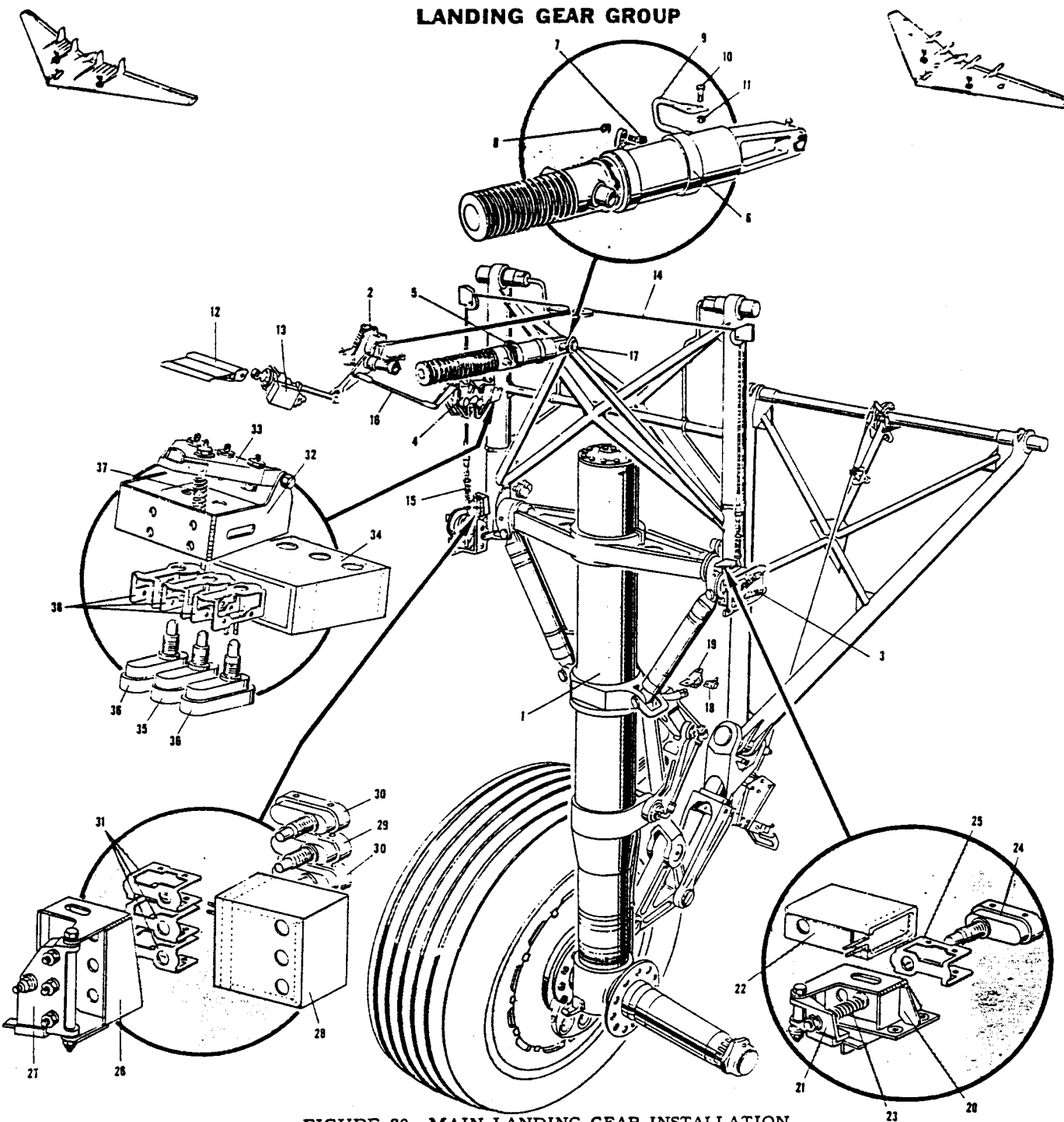


FIGURE 80—MAIN LANDING GEAR INSTALLATION

MAIN LANDING GEAR INSTALLATION

FIGURE & INDEX NUMBER	PART NUMBER	NOMENCLATURE	UNITS PER ASSEM	USAGE CODE
		1 2 3 4 5 6 7		
	551004	Gear Installation—Main landing, LH (For next assembly see page 13)	NP	ALL
	551004-1	Gear Installation—Main landing, RH (For next assembly see page 13)	NP	ALL
80 - 1	551005	• Gear Assembly—Main landing (For detail breakdown see page 151)	1	ALL
2	554649	• Mechanism Installation—Main landing gear lock control (for detail breakdown see page 159)	NP	ALL
3	551412	• Lock Assembly—Main landing gear down, LH (For detail breakdown see page 159)	1	ALL
	551412-1	• Lock Assembly—Main landing gear down, RH (For detail breakdown see page 159)	1	ALL
4	551009	• Lock Assembly—Main landing gear up (For detail breakdown see page 159)	1	ALL
5	552528	• Unit Assembly—Main landing gear actuating	1	ALL
6	A7610	• Actuator—Main landing gear (DE)	1	ALL
7	152530	• Pivot—Main landing gear actuator unit emergency control attaching	1	ALL
8	AN310-3	• Nut—Aircraft castle	1	ALL

LANDING GEAR GROUP
MAIN LANDING GEAR INSTALLATION

FIGURE & INDEX NUMBER	PART NUMBER	1	2	3	4	5	6	7	NOMENCLATURE	UNITS PER ASSEM	USAGE CODE
80 - 9	452736	Bracket Assembly—Main landing gear actuator unit emergency control mounting	1	ALL
10	AN3-7A	Bolt—Aircraft 10-32	4	ALL
11	AN365-1032	Nut—Self-locking	4	ALL
12	454693	Bracket—Main landing gear lock controls actuator	1	ALL
13	D400AH	Actuator—(LA)	1	ALL
14	10C514-11000	Cable Assembly—Main landing gear mechanism	1	ALL
	AN155-46S	Barrel—Turnbuckle	2	ALL
	AN161-46LS	Fork—Turnbuckle	2	ALL
	AN4-13	Bolt—Aircraft 1/4-28	1	ALL
	AN310-4	Nut—Aircraft castle	1	ALL
	AN25-13	Bolt—Clevix 5/16-24	2	ALL
	AN310-5	Nut—Aircraft castle	2	ALL
15	255129	Spring Assembly—Main landing gear down lock cable tension	2	ALL
	AN23-13	Bolt—Clevix 10-32	2	ALL
	AN310-3	Nut—Aircraft castle	1	ALL
16	82R101-1140	Rod Assembly—Control threaded ends	2	ALL
	AN316-4R	Nut—Aircraft check	2	ALL
	AN24-13	Bolt—Clevix 1/4-28	2	ALL
	AN310-4	Nut—Aircraft castle	2	ALL
	AN486-1	Clevix—Rod end adjusting	1	ALL
17	255179	Pin—Main landing gear retracting unit connections	1	ALL
	AN7502-24	Nut—Wheel bearing retaining	1	ALL
	10W090-152-C200	Washer—Special	1	ALL
	457006	Switch and Bracket Installation—Main landing gear retraction delay	NP	ALL
18	YZE7RNTN2	Micro switch—(MCS)	1	ALL
	AN515-6R24	Screw—Round head machine	1	ALL
	AN365-632	Nut—Self-locking	1	ALL
19	457007	Bracket Assembly—Main landing gear retraction delay switch	1	ALL
	50B113-10	Bolt—Adjusting	3	ALL
	AN315-3R	Nut—Aircraft plain	1	ALL
	453590	Switch and Bracket Assembly—Main landing gear outboard down lock limit LH	1	ALL
	453590-1	Switch and Bracket Assembly—Main landing gear outboard down lock limit RH	1	ALL
20	253588	Bracket Assembly—Main landing gear outboard lock down limit LH	1	ALL
	253588-1	Bracket Assembly—Main landing gear outboard lock down limit RH	1	ALL
21	253589	Lever Assembly—Main landing gear outboard lock down limit switch actuator LH	1	ALL
	253589-1	Lever Assembly—Main landing gear outboard lock down limit switch actuator RH	1	ALL
22	259471	Cover Assembly—Single micro switch and actuator	1	ALL
23	114	Spring—(CSC)	1	ALL
24	BZ3YT	Switch—Micro (MCS)	1	ALL
25	MC2711	Actuator Bracket—(MCS)	1	ALL
	AN3DD21A	Bolt—Aircraft 10-32	1	ALL
	AN3DD16A	Bolt—Aircraft 10-32	1	ALL
	50B103-10	Bolt—Adjusting	2	ALL
	AN365-1032	Nut—Self-locking	1	ALL
	AN315-3R	Nut—Self-locking	1	ALL
	453591	Switch and Bracket Assembly—Main landing gear inboard down lock limit LH	1	ALL
	453591-1	Switch and Bracket Assembly—Main landing gear inboard down lock limit RH	1	ALL
26	453592	Bracket Assembly—Main landing gear inboard down lock limit switch support LH	1	ALL
	453592-1	Bracket Assembly—Main landing gear inboard down lock limit switch support RH	1	ALL
27	253587	Lever Assembly—Main landing gear inboard down lock limit switch actuator LH	1	ALL
	253587-1	Lever Assembly—Main landing gear inboard down lock limit switch actuator RH	1	ALL
28	459868	Cover Assembly—Main landing gear inboard down lock limit switch	1	ALL
29	BZ3YT	Switch—Micro (MCS)	2	ALL
30	BZR31	Switch—Micro (MCS)	3	ALL
31	MC2711	Actuator Bracket	1	ALL
	114	Spring—(CSC)	1	ALL
	AN3DD40A	Bolt—Aircraft 10-32	1	ALL
	AN3DD21A	Bolt—Aircraft 10-32	3	ALL
	50B103-10	Bolt—Adjusting	2	ALL
	AN365-1032	Nut—Self locking	3	ALL
	AN315-3R	Nut—Aircraft plain	1	ALL
	454657	Switch and Bracket Assembly—Main landing gear uplock limit	1	ALL
32	454659	Bracket Assembly—Main landing gear uplock limit switch support	1	ALL
33	254658	Lever Assembly—Main landing gear uplock limit switch actuating	1	ALL
34	459868	Cover Assembly—Main landing gear uplock limit switch	2	ALL
35	BZR31	Switch—Micro (MCS)	1	ALL
36	WZR31	Switch—Micro (MCS)	1	ALL
37	114	Spring—(CSC)	3	ALL
38	MC2711	Actuator—Bracket	1	ALL
	AN3DD40A	Bolt—Aircraft 10-32	1	ALL
	AN3DD23A	Bolt—Aircraft 10-32	3	ALL
	50B103-11	Bolt—Adjusting	2	ALL
	AN365-1032	Nut—Self-locking	3	ALL
	AN315-3R	Nut—Aircraft plain	NP	X
	460484	Switch and Bracket Installation—Exhaust shroud cooling control	2	X
	MC2711	Actuator Bracket—(MCS)	2	X
	AN3210-1	Switch—Low travel limit	2	X

RESTRICTED
AN 01-15EAA-4
LANDING GEAR GROUP

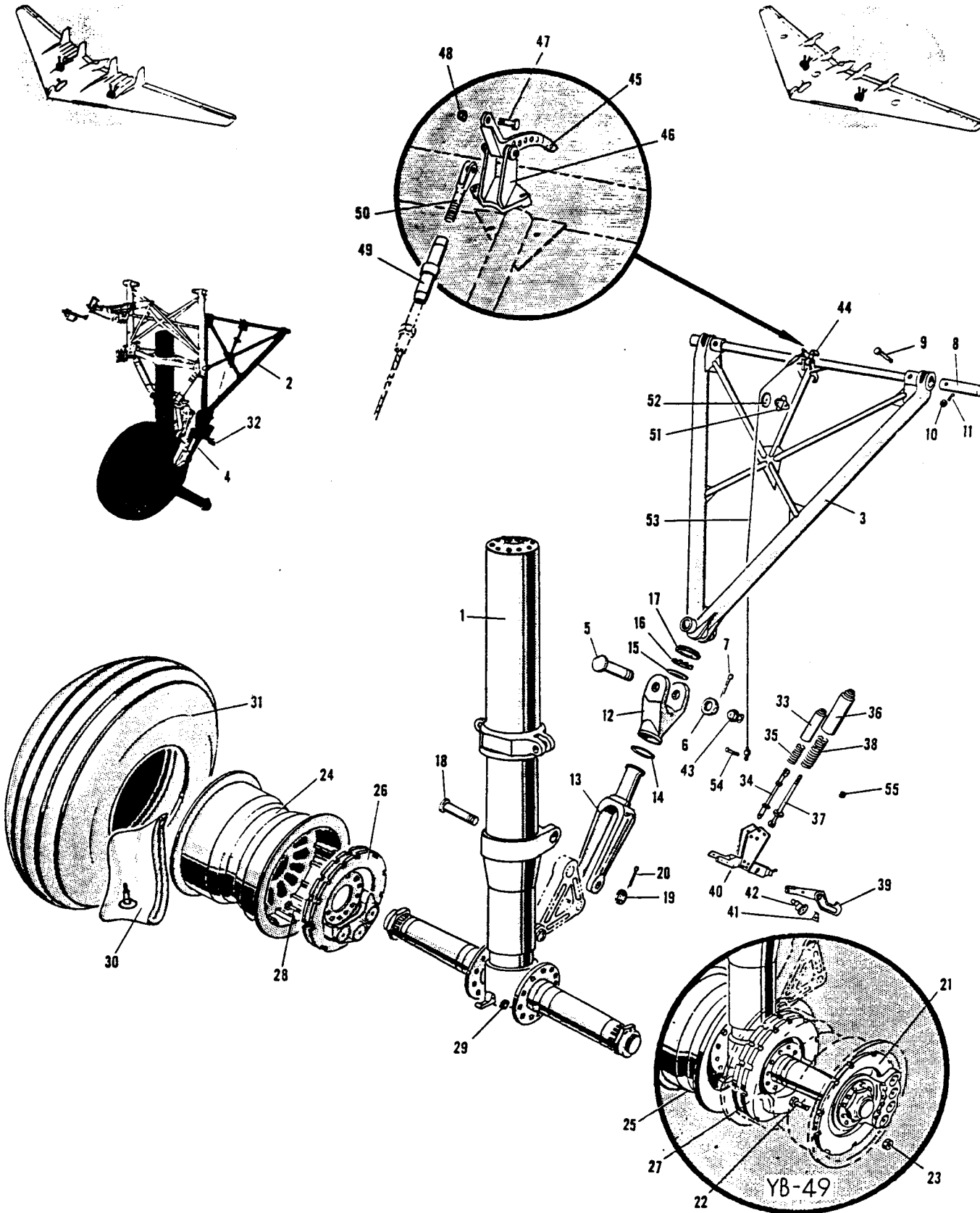


FIGURE 81—MAIN LANDING GEAR ASSEMBLY

RESTRICTED

LANDING GEAR GROUP
MAIN LANDING GEAR ASSEMBLY

FIGURE & INDEX NUMBER	PART NUMBER	1	2	3	4	5	6	7	NOMENCLATURE	UNITS PER ASSEM	USAGE CODE
81 - 1	551005	Gear Assembly—Main landing (For next assembly see page 148)							1	ALL	
	69329	Gear Assembly—Brake lines and main landing (BX) (For detail breakdown see page 152)							1	ALL	
	69278	Upper Truss Assembly—Down lock and brake lines (BX) (For detail breakdown see page 157)							1	ALL	
		(For detail breakdown see page 157)							1	ALL	
2	68922	Drag Brace Assembly—Main landing gear (BX)							1	ALL	
3	69206	Truss Assembly—Drag brace (BX)							1	ALL	
4	69205	Fitting Assembly—Yoke (BX)							1	ALL	
		Attaching Parts									
5	69194	Bolt—Special yoke upper end (BX)							1	ALL	
6	69193	Nut—Special (2x7/16x16) (BX)							1	ALL	
7	901262K1	Pin—Cotter (BX)							1	ALL	
8	69192	Pin—Drag brace truss (BX)							2	ALL	
9	AN6-34	Bolt—Aircraft 3/8x24							2	ALL	
10	AN310-6	Nut—Aircraft castle							2	ALL	
11	AN380-3-3	Pin—Cotter							2	ALL	
12	69204	Yoke—Drag brace upper (BX)							1	ALL	
13	69202	Yoke—Drag brace lower (BX)							1	ALL	
14	69200	Washer—Drag brace (BX)							1	ALL	
15	69155	Washer—Drag brace (BX)							1	ALL	
16	69153	Ring—Lock (BX)							1	ALL	
17	69154	Nut—Special (2x7/8x16) (BX)							1	ALL	
18	69196	Bolt—Special yoke lower end (BX)							1	ALL	
19	69195	Nut—Special (1x3/4x16) (BX)							1	ALL	
20	AN380-4-10	Pin—Cotter							1	ALL	
21	530874	Brake Assembly—Outboard (GFP)							2	DE	
		Attaching Parts									
22	AN6-17	Bolt—Aircraft (1/2x20)							48	DE	
23	AN310-8	Nut—Aircraft castle							48	DE	
24	9540133	Wheel Assembly—(GFP)							2	X	
25	540083	Wheel Assembly—(GFP)							2	DE	
26	9540188	Brake Assembly—Inboard (GFP)							2	X	
27	9540102	Brake Assembly—Inboard (GFP)							2	DE	
		Attaching Parts									
28	AN12-21	Bolt—Aircraft (3/4x16)							48	ALL	
29	AN310-12	Nut—Aircraft castle							48	ALL	
30	No Number	Tube—65° smooth contour—spec AN-1-14 (GFP) (AER 14-7427)							2	ALL	
31	No Number	Casing—65° smooth contour—spec AN-C-55 (GFP) (AER 41-7426)							2	ALL	
32	596113	Lock Installation—Main landing gear door center							NP	ALL	
		Attaching Parts									
	AN5-22A	Bolt—Aircraft (5-16 24)							4	ALL	
	AN365-524	Nut—Self locking							4	ALL	
	AN960D516	Washer—Plain							4	ALL	
	596113-2	Lock Assembly—Main landing gear door center							1	ALL	
33	153756	Tube—Main landing gear drive center lock closing spring guide							1	ALL	
34	252818	Rod Assembly—Main landing gear drive center hook operator							1	ALL	
35	152819	Spring—Main landing gear drive center hook cable tension							1	ALL	
36	152817	Tube—Main landing gear drive center hook operator spring guide							1	ALL	
37	252823	Rod Assembly—Main landing gear drive center hook push							1	ALL	
38	152820	Spring—Main landing gear drive center hook push							1	ALL	
39	496131	Hook Assembly—Main landing gear drive center lock mechanism							1	ALL	
40	496401	Support Assembly—Main landing gear drive center lock hook							1	ALL	
41	196243	Adjuster Assembly—Landing gear drive lock							1	ALL	
42	296298	Pinion—Main landing gear drive center lock eccentric							1	ALL	
43	596113-4	Pulley Assembly—Main landing gear door center							1	ALL	
44	454215	Bracket Installation—Main landing gear drive center hook operating arm							NP	ALL	
45	254224	Arm Assembly—Main landing gear drive center hook operating							1	ALL	
46	454227	Bracket—Main landing gear drive center hook operating arm							1	ALL	
47	AN23-10	Bolt—Clevis 10-32							1	ALL	
48	AN310-3	Nut—Aircraft castle							1	ALL	
49	AN155-83	Barrel—Turnbuckle							1	ALL	
50	AN161-8RS	Fork—Turnbuckle							1	ALL	
51	254225	Bracket Assembly—Main landing gear drive center lock control pulley							1	ALL	
52	AN210-1A	Pulley—Main landing gear drive center lock control							1	ALL	
	AN3-10	Bolt—Aircraft 10-32							1	ALL	
	AN310-3	Nut—Aircraft castle							1	ALL	
53	254226	Cable Assembly—Main landing gear drive center lock lower							1	ALL	
54	AN23-10	Bolt—Clevis 10-32							1	ALL	
55	AN310-3	Nut—Aircraft castle							1	ALL	
	552174	Markings Installation—Main landing gear LH							NP	ALL	
	55217-1	Markings Installation—Main landing gear RH							NP	ALL	

RESTRICTED
AN 01-15EAA-4
LANDING GEAR GROUP

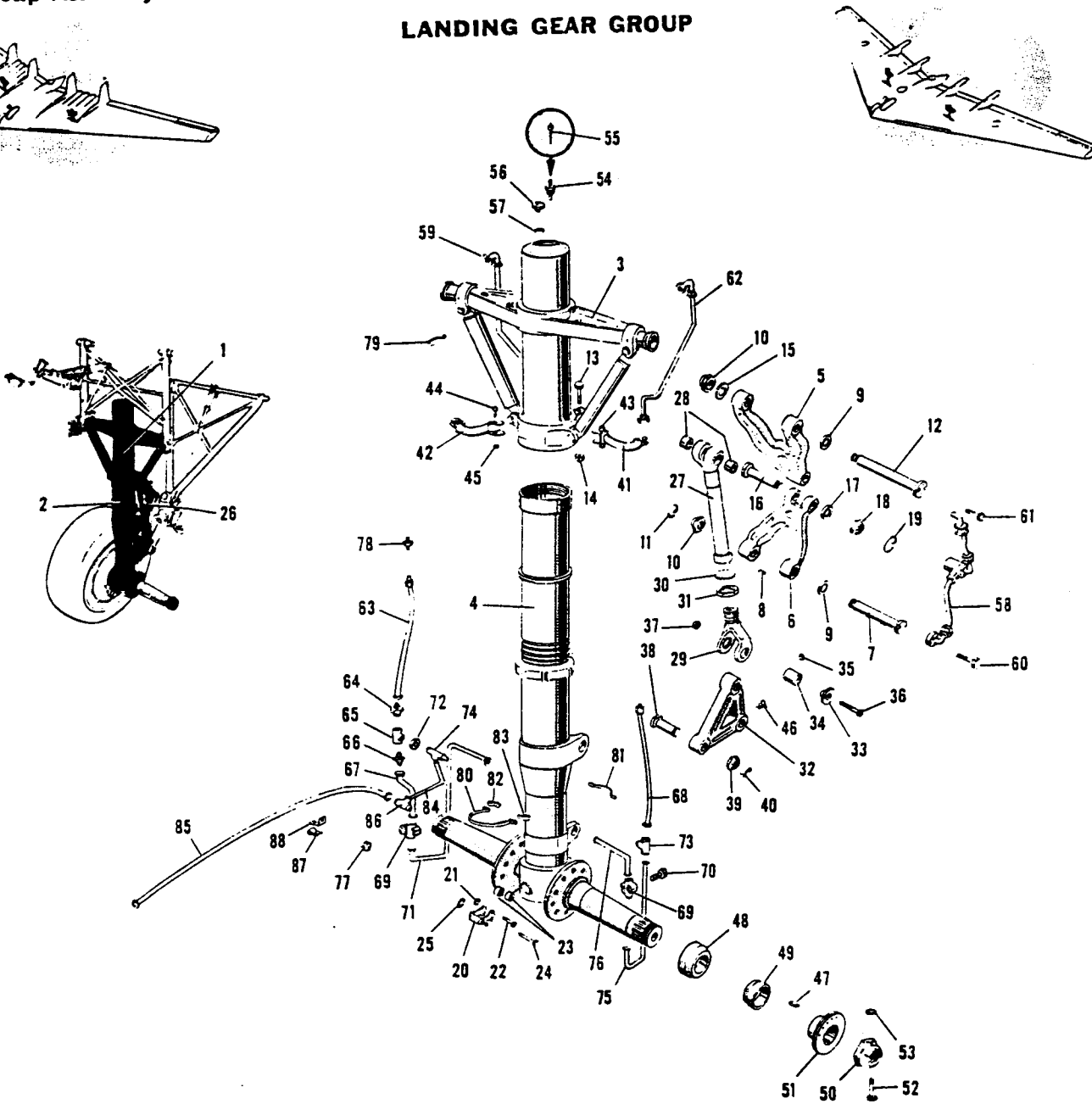


FIGURE 82—BRAKE LINES AND MAIN LANDING GEAR

BRAKE LINES AND MAIN LANDING GEAR

FIGURE & INDEX NUMBER	PART NUMBER	1	2	3	4	5	6	7	NOMENCLATURE	UNITS PER ASSEM	USAGE CODE
82 - 1	69329								Gear Assembly—Brake lines and main landing (PDI) (For next assembly see page 151)	1	ALL
2	69191								Shock Strut Assembly—Pneudraulic (PDI)	1	ALL
3	69148								Trunnion Assembly—Outer cylinder (PDI) (For detail breakdown see page 155)	1	ALL
4	69190								Cylinder and Packing Assembly—Inner (PDI) (For detail breakdown see page 155)	1	ALL
5	69109								Torque Arm Assembly—Male (PDI)	1	ALL
6	69104								Torque Arm Assembly—Female (PDI)	1	ALL
									Attaching Parts		
7	69078								Bolt—Lower torque arm (PDI)	1	ALL
8	69077								Key—Torque arm (PDI)	8	ALL
9	69076								Washer—Bronze thrust (PDI)	2	ALL
10	69075								Nut—Special (PDI)	2	ALL
11	66930								Ring—Lock (PDI)	1	ALL
12	69074								Bolt—Upper torque arm (PDI)	1	ALL
13	AN6-43								Bolt—Aircraft (3/8 x 24)	1	ALL
14	AN310-6								Nut—Aircraft castle	1	ALL
15	69073								Washer—Torque (PDI)	2	ALL
16	69072								Pin—Torque arm knee (PDI)	1	ALL
17	69071								Washer—Bronze thrust (PDI)	2	ALL

RESTRICTED

LANDING GEAR GROUP
BRAKE LINES AND MAIN LANDING GEAR

FIGURE & INDEX NUMBER	PART NUMBER	NOMENCLATURE							UNITS PER ASSEM	USAGE CODE
		1	2	3	4	5	6	7		
82 - 18	69070	1	ALL
19	69069	1	ALL
20	69068	1	ALL
21	NAS51-31	1	ALL
22	69065	2	ALL
23	69064	1	ALL
24	69063	1	ALL
25	NAS51-75	1	ALL
26	69100	1	ALL
27	69099	2	ALL
28	69094	1	ALL
29	69093	1	ALL
30	69091	1	ALL
31	69090	1	ALL
32	69089	1	ALL
		Attaching Parts								
33	69083	2	ALL
34	69082	1	ALL
35	69081	1	ALL
36	AN5-42	1	ALL
37	AN310-5	1	ALL
38	69080	1	ALL
39	69070	1	ALL
40	901244K1	1	ALL
41	69060	1	ALL
42	69061	1	ALL
		Attaching Parts								
43	NAS148-84	1	ALL
44	NAS148-81	1	ALL
45	AN365-820	2	ALL
46	AN286-1	10	ALL
47	69330	2	ALL
48	69051	2	ALL
49	69050	2	ALL
50	111S18	2	ALL
51	69315	2	ALL
52	AN3-60	2	ALL
53	AN310-3	1	ALL
54	53047	1	ALL
55	AN809-1	1	ALL
56	AN909-16	1	ALL
57	AN901-12C	1	ALL
58	69331	1	ALL
59	69332	6	ALL
60	AN73A11	4	ALL
61	AN74A5	1	ALL
62	69343	1	ALL
63	69334	1	ALL
64	AN919-14D	1	ALL
65	AN926-6D	2	ALL
66	AN815-6D	1	ALL
67	69340	1	ALL
68	69347	2	ALL
69	AN6217-6	2	ALL
70	AN775-6	1	ALL
71	69105	1	ALL
72	AN924-6D	1	ALL
73	AN824-6D	1	ALL
74	AN804D6	1	ALL
75	69628	1	ALL
76	69619	1	ALL
		Attaching Parts								
77	AN820-6	3	ALL
78	AN815-10D	2	ALL
79	69353	4	ALL
80	69365	1	ALL
81	69364	1	ALL
82	AN742-12C	3	ALL
83	AN742-8C	4	ALL
84	69621	1	DE
85	69254	2	DE
		Attaching Parts								
86	AN824-16D	1	DE
87	AN742-15C	2	DE
88	69625	2	DE

RESTRICTED
AN 01-15EAA-4
LANDING GEAR GROUP

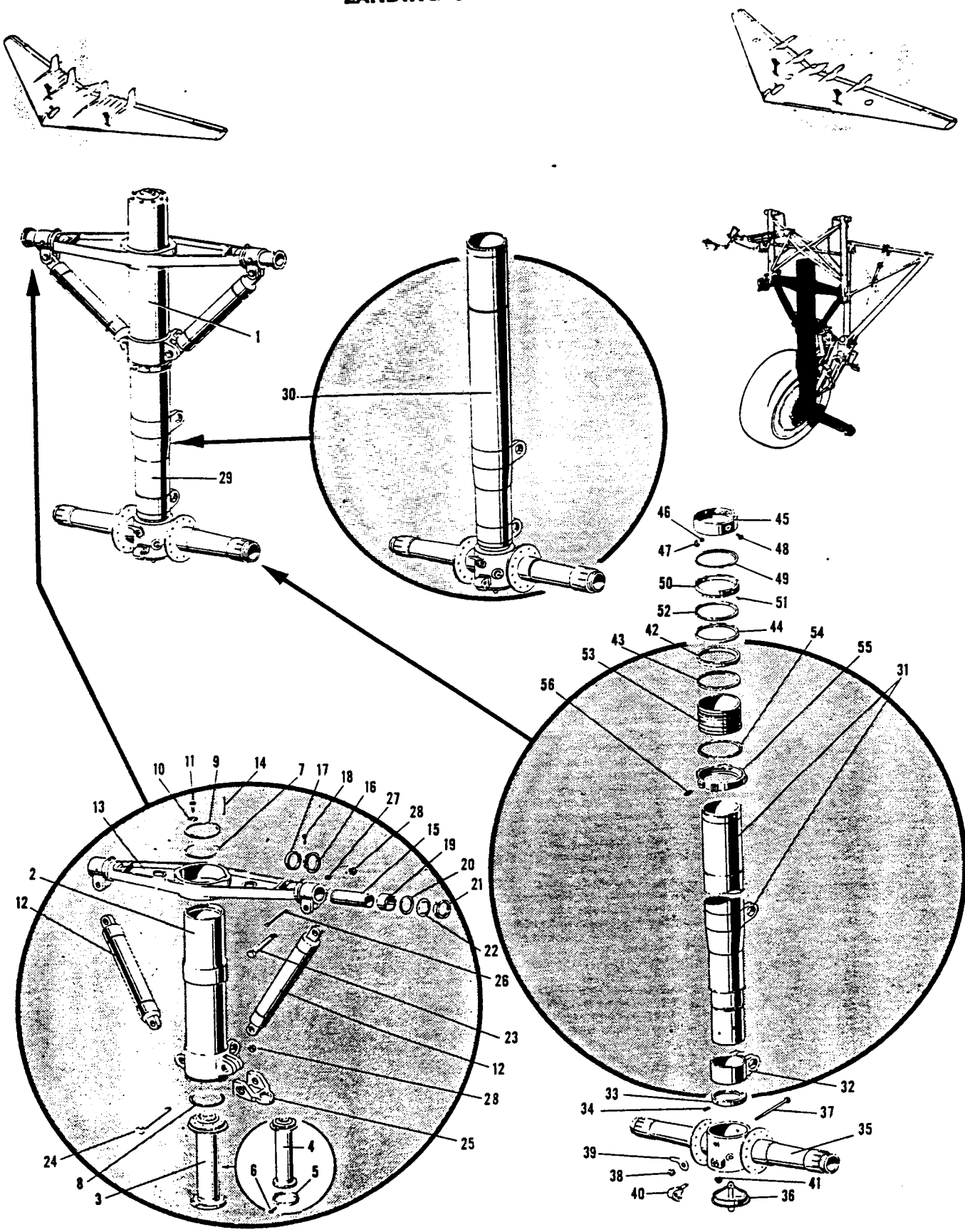


FIGURE 83—TRUNNION AND CYLINDER ASSEMBLIES

RESTRICTED

LANDING GEAR GROUP
TRUNNION AND CYLINDER ASSEMBLIES

FIGURE & INDEX NUMBER	PART NUMBER	NOMENCLATURE							UNITS PER ASSEM	USAGE CODE
		1	2	3	4	5	6	7		
		Trunnion and Cylinder Assemblies.....								
83 - 1	69148	Trunnion Assembly—Outer cylinder (BX) (For next assembly see page 152).....							1	ALL
2	69147	Cylinder—Outer (BX).....							1	ALL
3	69145	Piston Assembly—Piston tube (BX).....							1	ALL
4	69144	Diaphragm Assembly—Piston tube and (BX).....							1	ALL
5	69137	Piston—(BX).....							1	ALL
6	69136	Screw—Headless dog point (BX).....							2	ALL
7	AN6230-52	Gasket—"O" ring hydraulics.....							1	ALL
8	AN6227-75	Packing—"O" ring hydraulics.....							1	ALL
9	69134	Ring—Seal compressing (BX).....							1	ALL
10	69133	Link—Ring compressing (BX).....							12	ALL
11	AN75-7	Bolt—Drilled head 5/16.....							12	ALL
12	69128	Strut Assembly—Side brace (BX).....							2	ALL
13	69166	Trunnion Assembly—End fittings and (BX).....							1	ALL
		Attaching Parts.....								
14	69161	Key—Trunnion (BX).....							2	ALL
15	69160	Pin—Trunnion (BX).....							2	ALL
16	69159	Ring—Split (BX).....							2	ALL
17	69158	Spacer—(BX).....							2	ALL
18	69157	Pin—Clevis special (BX).....							4	ALL
19	69156	Bushings—(BX).....							2	ALL
20	69155	Washer—(BX).....							2	ALL
21	69154	Nut—Special (BX).....							2	ALL
22	69153	Ring—Lock (BX).....							3	ALL
23	69152	Bolt—Special (BX).....							1	ALL
24	69151	Bolt—Special (BX).....							1	ALL
25	69150	Lug—Tow (BX).....							1	ALL
26	AN7-55	Bolt—Aircraft 7/16 x 20.....							2	ALL
27	AN310-7	Nut—Aircraft castle.....							4	ALL
28	AN7502-23	Nut—Wheel bearing retaining.....							4	ALL
29	69190	Cylinder and Packing Assembly—Inner (BX) (For next assembly see page 152).....							1	ALL
30	69189	Cylinder and Axles Assembly—Inner (BX).....							1	ALL
31	69188	Cylinder and Diaphragm Assembly—Inner (BX).....							1	ALL
32	69176	Collar—Articulating link (BX).....							1	ALL
33	69174	Nut—Collar retaining (BX).....							1	ALL
34	69136	Screw—Lock (BX).....							2	ALL
35	69172	Axle—Socket and (BX).....							1	ALL
36	69169	Pad—Jack (BX).....							1	ALL
37	69168	Bolt—(BX).....							2	ALL
38	AN310-6	Nut—Aircraft castle.....							2	ALL
39	69167	Clip—Brake line (BX).....							1	ALL
40	69123	Lug—Uplock (BX).....							1	ALL
41	69121	Washer—Special (BX).....							1	ALL
42	AN6225-70	Packing—"V" ring hydraulic.....							4	ALL
43	AN6228-70	Adapter—"V" ring female hydraulic packing.....							1	ALL
44	AN6229-70	Adapter—"V" ring male hydraulic packing.....							1	ALL
45	69120	Bearing—Upper (BX).....							1	ALL
46	907145	Ball—Snubber (BX).....							8	ALL
47	67665	Pin—Snubber (BX).....							8	ALL
48	69119	Screw—Lock (BX).....							2	ALL
49	69118	Ring—Split (BX).....							1	ALL
50	69117	Tube—Spacer (BX).....							1	ALL
51	69116	Screw—Lock (BX).....							2	ALL
52	69115	Washer—Packing (BX).....							1	ALL
53	69112	Bearing—Lower (BX).....							1	ALL
54	AN6231-65	Wiper—Packing gland ring.....							1	ALL
55	69111	Nut—Bearing (BX).....							1	ALL
56	69045	Screw—Lock (BX).....							1	ALL

RESTRICTED
AN 01-15EAA-4
LANDING GEAR GROUP

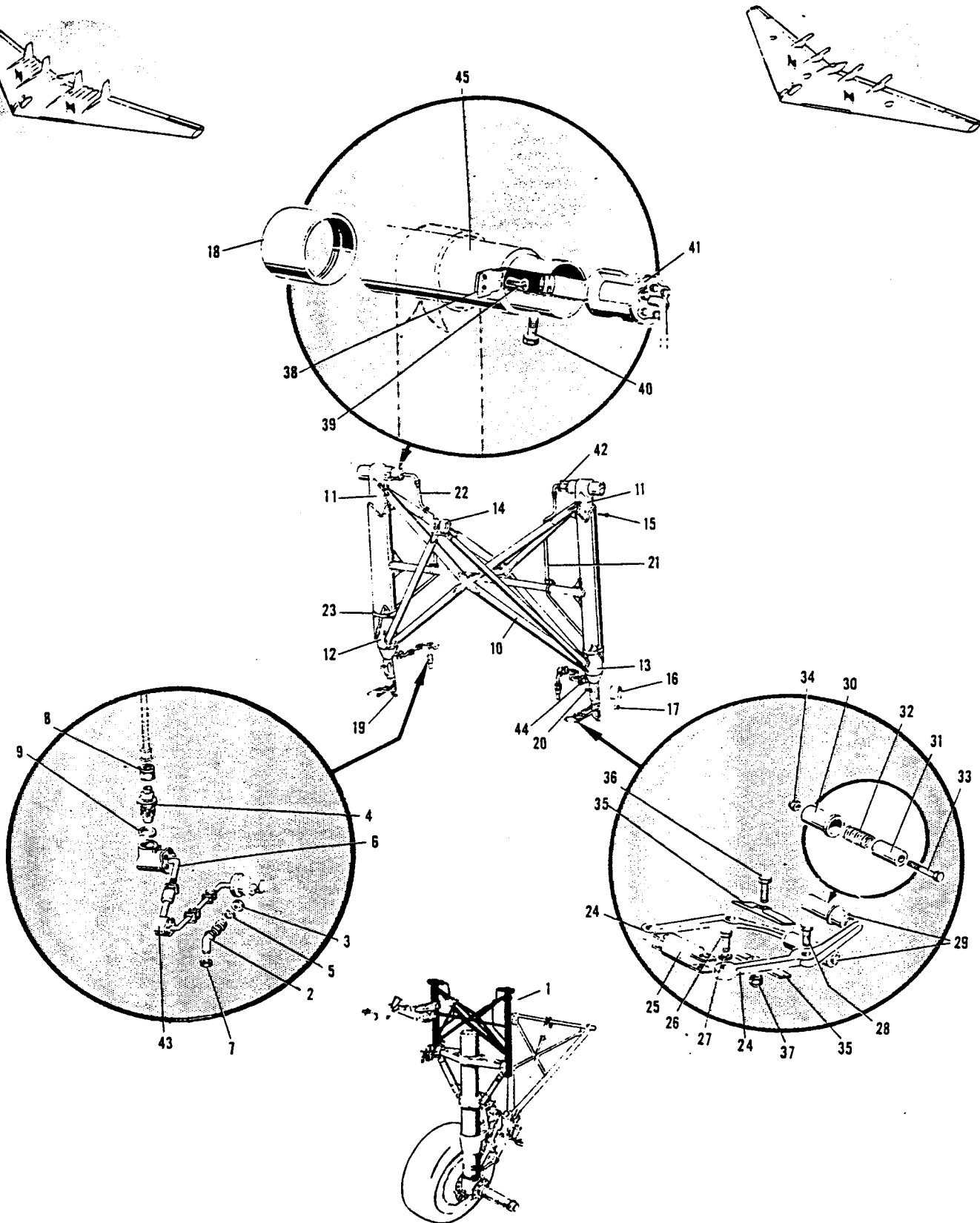


FIGURE 84—UPPER TRUSS ASSEMBLY
RESTRICTED

LANDING GEAR GROUP
UPPER TRUSS ASSEMBLY

FIGURE & INDEX NUMBER	PART NUMBER	NOMENCLATURE							UNITS PER ASSEM	USAGE CODE
		1	2	3	4	5	6	7		
84 - 1	69278	Upper Truss Assembly—Down lock and brake lines (BX) (For next assembly see page 151).....							1	ALL
	155703	Upper Truss Assembly—Bushings and (BX).....							1	ALL
		Attaching Parts								
2	AN833-10	Elbow—Flared tube bulkhead and universal 90°.....							1	ALL
3	AN924-10	Nut—Flared tube universal.....							1	ALL
4	AN815-10	Union—Flared tube.....							1	ALL
5	AN902-10	Gasket—Flared tube universal fitting.....							2	ALL
6	AN833-6	Elbow—Flared tube bulkhead and universal 90°.....							1	ALL
7	AN924-6	Nut—Flared tube.....							1	ALL
8	AN815-6	Union—Flared tube.....							1	ALL
9	AN902-6	Gasket—Flared tube universal fitting.....							2	ALL
10	69279	Truss Assembly—Upper (BX).....							1	ALL
11	69421	Fitting—Upper truss upper end (BX).....							2	ALL
12	69424	Fitting—Upper truss lower end LH (BX).....							1	ALL
13	69425	Fitting—Upper truss lower end RH (BX).....							1	ALL
14	69426	Fitting—Retracting cylinder (BX).....							1	ALL
15	AN535-14-8	Screw—Round head drive.....							13	ALL
16	69937	Bushing—(BX).....							2	ALL
17	69936	Bushing—(BX).....							2	ALL
18	69938	Bushing—(BX).....							4	ALL
19	53885	Lubricator—(BX).....							2	ALL
20	66891	Lubricator—(BX).....							4	ALL
21	69292	Upper Truss Assembly—Tube and fitting (5/8 tube) (BX).....							1	ALL
22	69296	Upper Truss Assembly—Tube and fittings (3/8 tube) (BX).....							1	ALL
		Attaching Parts								
23	69302	Clip—(BX).....							2	ALL
	AN742-36	Clip—Loop type.....							2	ALL
	AN742-32	Clip—Loop type.....							2	ALL
	AN742-12C	Clip—Loop type.....							3	ALL
	AN742-8C	Clip—Loop type.....							3	ALL
24	69305	Link—Down lock (BX).....							4	ALL
25	69306	Sleeve—Down lock (BX).....							4	ALL
26	69307	Pin—Down lock special (BX).....							4	ALL
27	69308	Ring—Snap (BX).....							4	ALL
28	69310	Pin—Down lock centering (BX).....							4	ALL
29	69309	Cups Assembly—Outer and inner with spring (BX).....							4	ALL
30	69311	Cup—Down lock outer (BX).....							1	ALL
31	69312	Cup—Down lock inner (BX).....							1	ALL
32	69313	Spring—Down lock (BX).....							1	ALL
33	AN3-25	Bolt—Aircraft 1032.....							1	ALL
34	AN310-3	Nut—Aircraft castle.....							1	ALL
35	69318	Stop—Down lock (BX).....							4	ALL
36	AN3-15	Bolt—Aircraft 1032.....							2	ALL
37	AN365-1032	Nut—Self locking.....							2	ALL
38	69321	Plate—Pin retainer (BX).....							2	ALL
39	AN510-10-10	Screw—82° flat head fine thread.....							8	ALL
40	AN76A5	Bolt—Drilled head 3.....							2	ALL
41	69280	Joint—Swivel pin (BX).....							1	ALL
42	69281	Joint—Swivel pin (BX).....							1	ALL
43	69282	Joint—Swivel pin (BX).....							1	ALL
44	69283	Joint—Swivel pin (BX).....							1	ALL
45	69284	Pin—Upper truss (BX).....							2	ALL
		Attaching Parts								
	AN3-4A	Bolt—Aircraft 1032.....							2	ALL
	AN73A7	Bolt—Drilled head #10.....							4	ALL
	AN365-1032	Nut—Self locking.....							2	ALL

LANDING GEAR GROUP

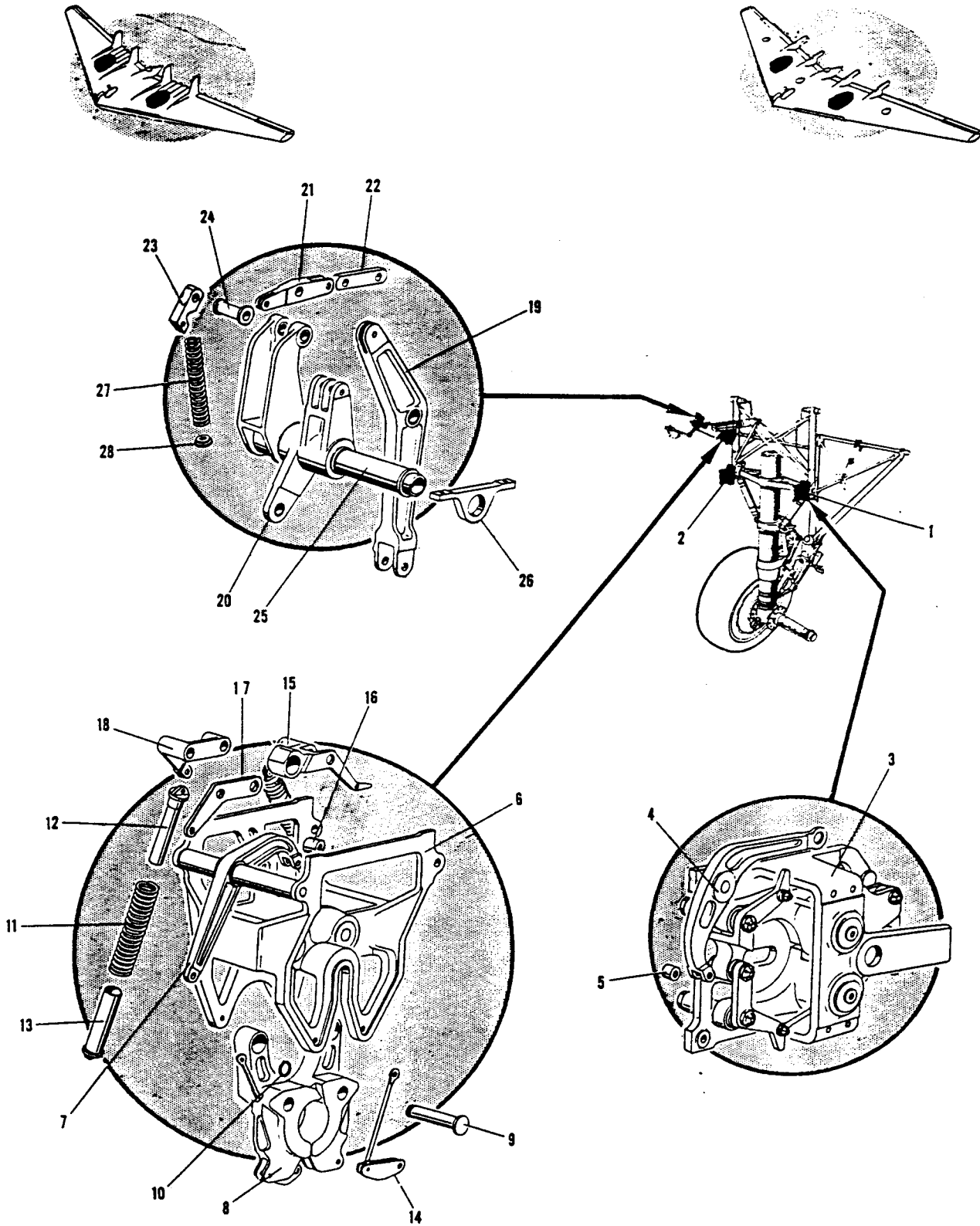


FIGURE 85—MAIN LANDING GEAR LOCKS AND LOCK CONTROL MECHANISM

LANDING GEAR GROUP
MAIN LANDING GEAR LOCKS AND LOCK CONTROL MECHANISM

FIGURE & INDEX NUMBER	PART NUMBER	1	2	3	4	5	6	7	NOMENCLATURE	UNITS PER ASSEM	USAGE CODE	
		Main Landing Gear Locks & Lock Control Mechanism										
85 - 1	551412								Lock Assembly—Main landing gear down LH (For next assembly see page 148)	1	ALL	
2	551412-1								Lock Assembly—Main landing gear down RH (For next assembly see page 148)	1	ALL	
3	551382								Support—Main landing gear down lock hook	2	ALL	
4	452058								Crank Assembly—Main landing gear down lock release	2	ALL	
5	153362								Roller Assembly—Main landing gear down lock release crank	2	ALL	
	AN23-16								Bolt—Clevis 10-32	2	ALL	
	AN320-3								Nut—Aircraft shear	1	ALL	
	153014								Bolt—Main landing gear down lock release attaching	1	ALL	
	AN320-7								Nut—Aircraft shear	2	ALL	
	451950								Hook Assembly—Main landing gear locks	4	ALL	
	152061								Pin—Main landing gear locks hook pivot	4	ALL	
	NAS51-56								Ring—Snap	4	ALL	
	152064								Spring—Main landing gear actuating lock	4	ALL	
	252066								Trigger Assembly—Main landing gear locks	4	ALL	
	152062								Retainer—Main landing gear lock actuating spring male	4	ALL	
	454142								Link—Main landing gear locks forked toggle	4	ALL	
	152063								Retainer—Main landing gear lock actuating spring female	1	ALL	
	551009								Lock Assembly—Main landing gear up (For next assembly see page 148)	1	ALL	
6	551917								Support Assembly—Main landing gear uplock hook	1	ALL	
7	454145								Crank Assembly—Main landing gear up lock release	1	ALL	
	AN8DD74								Bolt—Aircraft 1 2x20	1	ALL	
	AN310-8D								Nut—Aircraft castle	1	ALL	
8	451950								Hook Assembly—Main landing gear locks	2	ALL	
	AN23-23								Bolt—Clevis 10-32	2	ALL	
9	152061								Pin—Main landing gear locks hook pivot	2	ALL	
10	NAS51-56								Ring—Snap	2	ALL	
11	152064								Spring—Main landing gear locks actuating	2	ALL	
12	152062								Retainer—Main landing gear locks actuating spring male	2	ALL	
13	152063								Retainer—Main landing gear locks actuating spring female	2	ALL	
	AN4-13								Bolt—Aircraft 1 4x28	2	ALL	
	AN310-4								Nut—Aircraft castle	2	ALL	
14	252066								Trigger Assembly—Main landing gear lock emergency actuator	2	ALL	
	AN23-16								Bolt—Clevis 10-32	2	ALL	
	AN320-3								Nut—Aircraft shear	1	ALL	
15	454142								Link—Main landing gear locks forked toggle	1	ALL	
16	154022								Roller Assembly—Main landing gear up lock release crank	1	ALL	
17	153848								Link—Main landing gear uplock long toggle	1	ALL	
18	454143								Link—Main landing gear uplock short toggle	1	ALL	
	Attaching Parts											
	AN23-11								Bolt—Clevis 10-32	2	ALL	
	AN320-3								Nut—Aircraft shear	5	ALL	
	AN6-33								Bolt—Aircraft 3/8x24	1	ALL	
	AN310-6								Nut—Aircraft castle	3	ALL	
	AN6-24								Bolt—Aircraft 3/8x24	1	ALL	
	AN23-10								Bolt—Cevis 10-32	2	ALL	
	554649								Mechanism Installation—Main landing gear lock control (For next assembly see page 148)	NP	ALL	
19	454614								Beam Assembly—Main landing gear lock control walking	1	ALL	
20	454616								Crank Assembly—Main landing gear lock controls	1	ALL	
21	254651								Link—Main landing gear lock control operating	1	ALL	
22	154652								Link—Main landing gear lock control idler	1	ALL	
23	154655								Follower—Main landing gear lock control cable	1	ALL	
24	254676								Shaft—Main landing gear lock control emergency operator	1	ALL	
25	254654								Tube—Main landing gear lock control pivot	1	ALL	
26	254615								Support—Main landing gear lock control pivot	1	ALL	
27	154675								Spring—Main landing gear lock control mechanism	1	ALL	
28	154653								Seat—Main landing gear lock control spring	1	ALL	
	Attaching Parts											
	AN3-7								Bolt—Aircraft 10-32	2	ALL	
	AN3-10A								Bolt—Aircraft 10-32	4	ALL	
	AN4-14								Bolt—Aircraft 1 4x28	1	ALL	
	AN42-31								Bolt—Eye 10-32	3	ALL	
	AN310-3								Nut—Aircraft castle	1	ALL	
	AN310-4								Nut—Aircraft castle	2	ALL	
	AN320-4								Nut—Aircraft shear	1	ALL	
	AN364-1032								Nut—Self-locking thin	4	ALL	
	AN365-1032								Nut—Self-locking			

RESTRICTED
AN 01-15EAA-4

LANDING GEAR GROUP

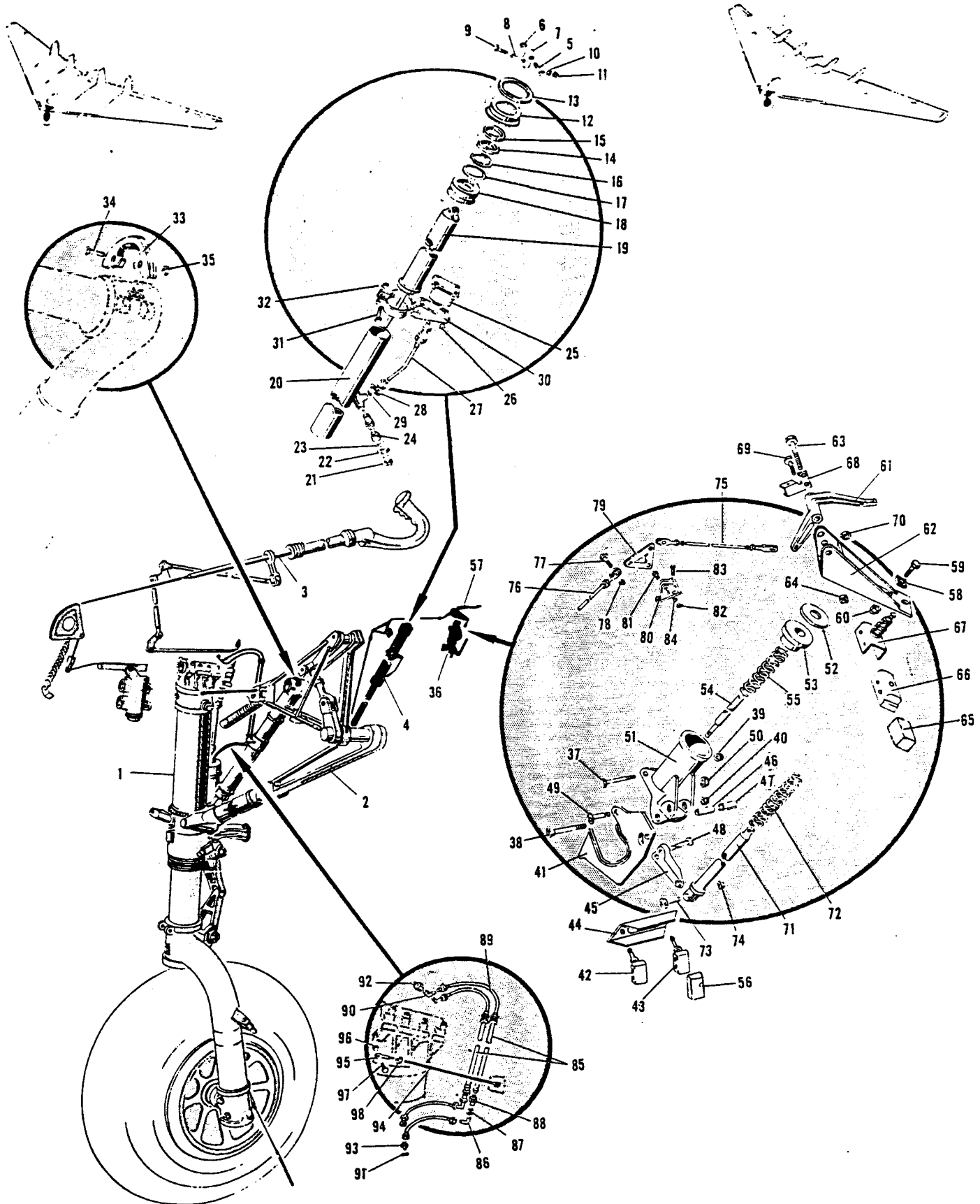


FIGURE 86—NOSE LANDING GEAR INSTALLATION

RESTRICTED

LANDING GEAR GROUP
NOSE LANDING GEAR INSTALLATION

FIGURE & INDEX NUMBER	PART NUMBER	NOMENCLATURE							UNITS PER ASSEM	USAGE CODE
		1	3	4	5	6	7			
	551010	Gear Installation—Nose landing (For next assembly see page 13)							NP	ALL
1	551011	Gear Assembly—Nose landing (For detail breakdown see page 163)							1	ALL
2	551010-2	Retracting Mechanism Assembly—Nose landing gear (For detail breakdown see page 167)							1	ALL
3	553232	Control Installation—Nose wheel steering and hand brake (For detail breakdown see page 169)							NP	ALL
86 - 4	551015	Cylinder Assembly—Nose landing gear bungee & gage							1	ALL
		Attaching Parts								
5	AN24-25	Bolt—Clevis 1/4-28							2	ALL
6	AN320-4	Nut—Aircraft shear							2	ALL
	558597	Cylinder Assembly—Nose landing bungee							1	ALL
7	258608	Joint Assembly—Bungee cylinder universal							2	ALL
		Attaching Parts								
8	258611	Spacer—Bungee cylinder joint bolt							2	ALL
9	AN4-14	Bolt—Aircraft 1/4-28							2	ALL
10	AN960-416	Washer—Plain							2	ALL
11	AN310-4	Nut—Aircraft castle							2	ALL
12	458613	Nut—Bungee cylinder rod bushing retainer							1	ALL
13	258641	Ring—Bungee cylinder end lock							1	ALL
14	AN6232-1	Felt—Strip packing gland							1	ALL
15	AN6231-17	Wiper—Packing gland ring							1	ALL
16	AN6227B27	Packing—"O" ring hydraulic							1	ALL
17	AN6230-2	Gasket—"O" ring hydraulic							1	ALL
18	458612	Bushing—Bungee cylinder piston rod							1	ALL
19	458603	Rod Assembly—Bungee cylinder piston							1	ALL
20	458598	Barrel Assembly—Nose landing gear bungee cylinder							1	ALL
21	AN813-1	Cap—High pressure air valve							1	ALL
22	AN812-1	Body—High pressure air valve							1	ALL
23	AN901-5A	Gasket—Metal tube connecting seal							1	ALL
24	AN809-1	Core—High pressure air valve							1	ALL
25	AN5771-4	Gage—Pressure							1	ALL
26	AN365-632	Nut—Self-locking							4	ALL
27	551015-2	Line Assembly—Nose landing gear bungee							1	ALL
28	AN815-4D	Union—Flared tube							2	ALL
29	AN6227-7	Packing—"O" ring hydraulic							2	ALL
30	452669	Bracket—Nose landing gear bungee pressure gage							1	ALL
31	AN3-5A	Bolt—Aircraft 10-32							1	ALL
32	AN365-1032	Nut—Self-locking							1	ALL
	455294	Quadrant Installation—Landing gear doors timing							NP	ALL
33	455294-4	Quadrant—Landing gear doors timing							1	ALL
34	AN3-7A	Bolt—Aircraft 10-32							2	ALL
35	AN365-1032	Nut—Self-locking							2	ALL
36	551016	Lock Assembly—Nose landing gear up							1	ALL
		Attaching Parts								
37	AN5-31A	Bolt—Aircraft 5-16-24							1	ALL
38	NAS148-57	Bolt—Internal wrenching steel							1	ALL
39	AN365-524	Nut—Self-locking							1	ALL
40	AN365-820	Nut—Self-locking							1	ALL
41	452330	Hook Assembly—Nose landing gear uplock							1	ALL
42	BZ3YT	Switch—Micro (MCS)							1	ALL
43	WZ-R31	Switch—Micro (MCS)							1	ALL
44	MC7711	Bracket—Actuator (MCS)							2	ALL
45	252535	Lever—Nose landing gear uplock emergency opening							1	ALL
		Attaching Parts								
46	152533	Pin—Nose landing gear uplock hook pivot							1	ALL
47	NAS51-43	Ring—Retainer							2	ALL
48	AN24-16	Bolt—Clevis 1/4-28							2	ALL
49	AN24-14	Bolt—Clevis 1/4-28							1	ALL
50	AN320-4	Nut—Aircraft shear							3	ALL
51	452331	Body—Nose landing gear uplock							1	ALL
52	NAS50-175	Ring—Retainer							1	ALL
53	152871	Bearing Assembly—Nose landing gear uplock push rod							1	ALL
54	252332	Rod Assembly—Nose landing gear uplock push							1	ALL
55	152329	Spring—Nose landing gear uplock							1	ALL
56	259471	Cover Assembly—Single micro switch actuator							1	ALL
57	452534	Crank and Bracket Assembly—Nose landing gear uplock actuating bell							1	ALL
		Attaching Parts								
58	152667	Filler—Nose landing gear uplock bracket bolt							4	ALL
59	AN4-12A	Bolt—Aircraft 1/4-28							4	ALL
60	AN365-428	Nut—Self-locking							4	ALL

LANDING GEAR GROUP
NOSE LANDING GEAR INSTALLATION

FIGURE & INDEX NUMBER	PART NUMBER	NOMENCLATURE							UNITS PER ASSEM	USAGE CODE
		1	2	3	4	5	6	7		
86 - 61	452326	1	ALL
62	452324	1	ALL
63	AN3-37	1	ALL
64	AN310-3	1	ALL
65	259471	1	ALL
66	YZR31	1	ALL
67	MC2711	1	ALL
		Attaching Parts								
68	255292	1	ALL
69	AN3-5	1	ALL
70	AN365-1032	1	ALL
71	252538	1	ALL
72	301	2	ALL
73	AN23-10	2	ALL
74	AN320-3	1	ALL
75	NAS98-1-15-22	1	ALL
76	NAS98-1-25-96	4	ALL
77	AN24-13	4	ALL
78	AN320-4	1	ALL
79	452543	1	ALL
80	452542	1	ALL
		Attaching Parts								
81	AN24-29	1	ALL
82	AN320-4	3	ALL
83	AN3-10A	3	ALL
84	AN364-1032	2	ALL
85	AN863-6-34	2	ALL
86	AN833-6	2	ALL
87	AN832-6	4	ALL
88	AN924-6	AR	ALL
89	556166	2	ALL
90	AN837-6	2	ALL
91	AN902-12	2	ALL
92	AN924-6	2	ALL
93	AN919-12	1	ALL
94	82R102-11.85	2	ALL
		Attaching Parts								
95	AN486-1	2	ALL
96	AN316-4R	2	ALL
97	AN4-10A	2	ALL
98	AN364-428	NP	ALL
	556583	1	ALL
	556583-8	8	ALL
	AN3-5A		

LANDING GEAR GROUP
NOSE LANDING GEAR ASSEMBLY

FIGURE & INDEX NUMBER	PART NUMBER	NOMENCLATURE							UNITS PER ASSEM	USAGE CODE
		1	2	3	4	5	6	7		
	551011	Gear Assembly—Nose landing (For next assembly see page 161)							1	ALL
87 - 1	68921	Strut Assembly—Pneudraulic nose wheel shock (BX)							1	ALL
2	68925	Cylinder Assembly—Upper end fitting and outer (BX)							1	ALL
	68926	Piston Tube Assembly—Outer cylinder and (BX)							1	ALL
	68928	Cylinder Assembly—Fitting and outer (BX)							1	ALL
3	68929	Fittings Assembly—Drag brace and door arm (BX)							1	ALL
4	68934	Cylinder—Outer (BX)							1	ALL
5	68936	Fitting—Shimmy damper (BX)							1	ALL
6	68938	Tube Assembly—Piston (BX)							1	ALL
7	68944	Fitting Assembly—Upper end (BX)							1	ALL
8	68947	Fitting—Upper end (BX)							1	ALL
9	68949	Cap—Upper end fitting (BX)							3	ALL
10	NAS152-51	Bolt—3/4-16x3-1/8 (BX)							4	ALL
11	68951	Nut—Special (BX)							4	ALL
12	NAS146-44	Bolt—3/4-24-2-1/16 (BX)							4	ALL
13	68953	Nut—Special (BX)							1	ALL
14	NAS152-56	Bolt—3/4-15x3-1/2							1	ALL
15	68958	Piston—(BX)							1	ALL
16	68959	Orifice—(BX)							1	ALL
17	AN502-416-8	Screw—Drilled fillister head machine (fine)							4	ALL
18	68956	Bushing—Upper end fitting (BX)							3	ALL
19	54043	Pin—(BX)							2	ALL
20	68957	Bushing—Side brace (BX)							2	ALL
21	54213	Pin—Shear (BX)							1	ALL
22	68955	Bolt—Special (BX)							1	ALL
23	AN310-6	Nut—Aircraft castle							1	ALL
24	68960	Drag Brace Assembly—Bushings and (BX)							1	ALL
		Attaching Parts								
25	68973	Pin—Drag brace special (BX)							1	ALL
26	AN23-32A	Bolt—Clevis 10-32							1	ALL
27	AN365-1032	Nut—Elastic stop							1	ALL
	68961	Cap Assembly—Drag brace (BX)							1	ALL
28	68963	Brace Assembly—Drag (BX)							1	ALL
29	68969	Cap—Drag brace upper end fitting (BX)							4	ALL
30	68970	Bolt—5/8-81x2-15/16 (BX)							4	ALL
31	68971	Nut—Special (BX)							4	ALL
32	68972	Bushing—Drag brace upper end (BX)							1	ALL
33	67953	Plug—Cork (BX)							2	ALL
34	54043	Pin—(BX)							1	ALL
35	68975	Torque Fitting Assembly—Bushings and (BX)							1	ALL
36	68980	Washer—Tongued (BX)							1	ALL
37	68981	Washer—Lock (BX)							1	ALL
38	68982	Nut—Torque fitting (BX)							1	ALL
	68983	Inner Cylinder Assembly—Packing and (BX)							1	ALL
	68984	Inner Cylinder Assembly—Fork and axle (BX)							1	ALL
		Attaching Parts								
39	69009	Retainer—Bearing (BX)							1	ALL
40	110S22	Washer—Axle (BX)							1	ALL
41	111516	Nut—Axle (BX)							1	ALL
42	AN3-44A	Bolt—Aircraft 10-32							1	ALL
43	AN365-1032	Nut—Self locking							1	ALL
44	68985	Diaphragm Assembly—Inner cylinder and (BX)							1	ALL
45	68995	Fork Assembly—Uplatch fitting (BX)							1	ALL
46	69005	Axle (BX)							4	ALL
47	67258	Pin—Shear (BX)							4	ALL
47	67258	Pin—Axle socket shear (BX)							2	ALL
48	AN6-76	Bolt—Aircraft (3/8-24)							2	ALL
49	AN310-6	Nut—Aircraft castle							1	ALL
50	69006	Point—Jack (BX)							1	ALL
51	67258	Pin—Shear (BX)							1	ALL
52	AN6-80	Bolt—Aircraft 3/8-24							1	ALL
53	AN310-6	Nut—Aircraft castle							1	ALL
54	69012	Bearing—Upper (BX)							8	ALL
55	907145	Ball—Snubber (BX)							8	ALL
56	67665	Pin—Ball retaining (BX)							2	ALL
57	69013	Screw—Lock (BX)							1	ALL
58	69016	Cam—Upper (BX)							1	ALL
59	69015	Key—(BX)							2	ALL
60	53158	Screw—Lock (BX)							1	ALL
61	69014	Nut—Upper cam lock (BX)							1	ALL
62	69017	Cam Assembly—Key and lower (BX)							1	ALL
63	AN6229-60	Adapter—Male packing							4	ALL
64	AN6225-60	Packing—"V" ring hydraulic							1	ALL
65	AN6228-60	Adapter—"V" ring female hydraulic packing							1	ALL

RESTRICTED
AN 01-15EAA-4

LANDING GEAR GROUP

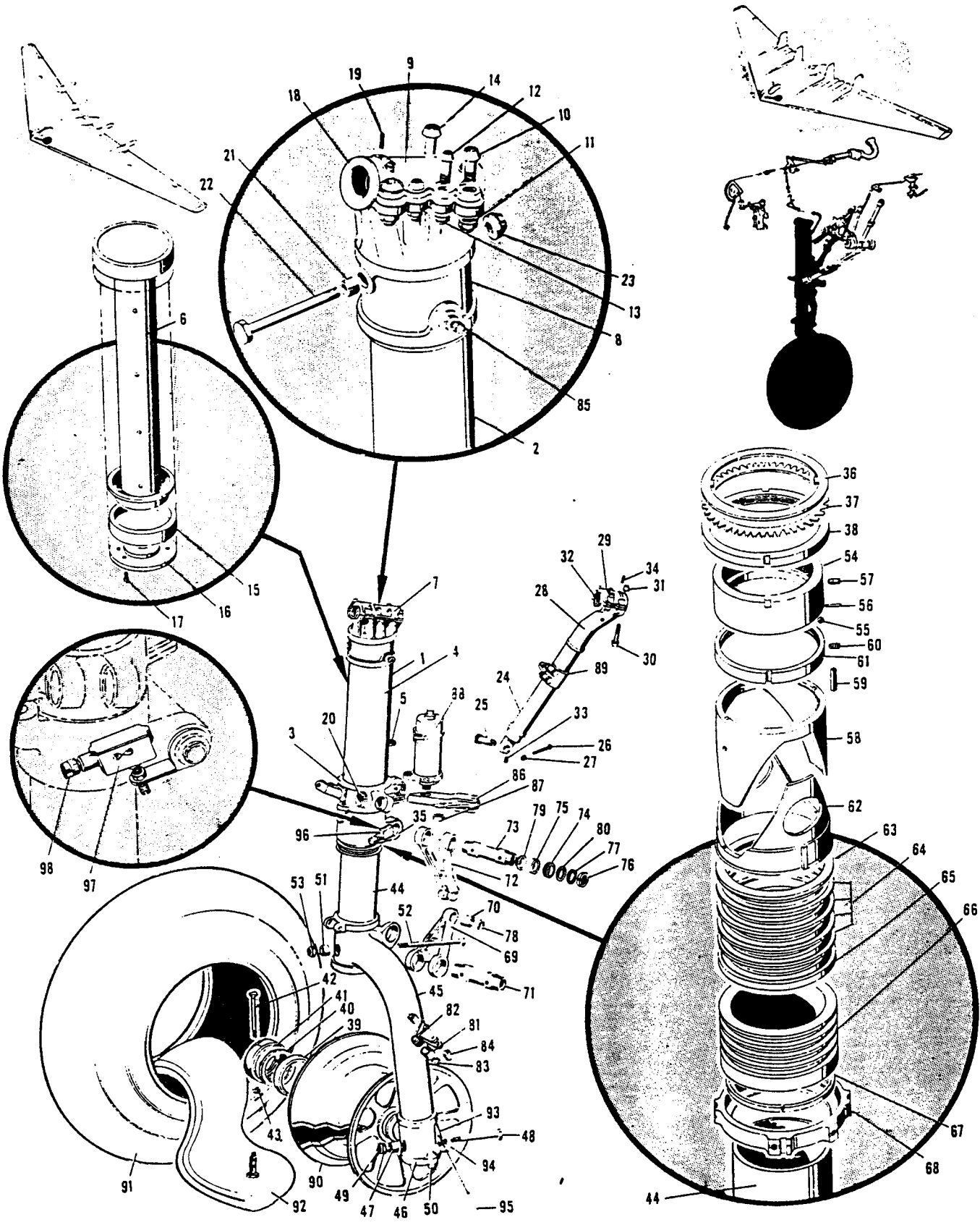


FIGURE 87—NOSE LANDING GEAR ASSEMBLY

RESTRICTED

LANDING GEAR GROUP
NOSE LANDING GEAR ASSEMBLY

FIGURE & INDEX NUMBER	PART NUMBER	1	2	3	4	5	6	7	NOMENCLATURE	UNITS PER ASSEM	USAGE CODE	
87 - 66	69022	Bearing—Lower (BX)	1	ALL	
67	AN6231-55	Wiper—Packing gland	1	ALL	
68	69023	Nut—Bearing (BX)	1	ALL	
	69024	Arm Assembly—Pins and male torque (BX)	1	ALL	
69	69026	Arm—Male torque (BX)	1	ALL	
70	66076	Bushing—Torque arm knee (BX)	1	ALL	
71	69030	Pin—Torque arm (BX)	1	ALL	
	69027	Arm Assembly—Pins and female torque arm (BX)	1	ALL	
72	69029	Arm—Female torque (BX)	1	ALL	
73	69030	Pin—Torque arm (BX)	1	ALL	
74	1035101	Cone and Rollers—Torque arm bearing (BX)	4	ALL	
75	103S102	Cup—Torque arm bearing (BX)	4	ALL	
76	69036	Nut—Torque arm pin (BX)	8	ALL	
77	69037	Washer—Lock (BX)	5	ALL	
78	69038	Washer—Torque arm knee (BX)	2	ALL	
79	69034	Cover—Inner dust (BX)	4	ALL	
80	69035	Cover—Outer dust (BX)	4	ALL	
81	69039	Sleeve—Uplatch roller (BX)	1	ALL	
82	RBC7	Bearing—Uplatch roller (RBC)	2	ALL	
83	69040	Washer—Uplatch (BX)	4	ALL	
84	69041	Actuator—Limit switch (BX)	2	ALL	
85	53047	Plug Assembly—Filler (BX)	1	ALL	
86	251949	Link Assembly—Nose landing gear shimmy damper (BX)	1	ALL	
87	RBC14	Bearing—Needle (RBC)	2	ALL	
	S101301-14-250	Bolt—Shear	2	ALL	
	AN320-14	Nut—Aircraft shear	2	ALL	
88	A12198	Steer Unit Assembly—(HD)	1	ALL	
	Attaching Parts											
	AN28-28	Bolt—Clevis 1/2-20	1	ALL	
	AN27-16	Bolt—Clevis 7/16-20	1	ALL	
	259282	Bolt—Nose landing gear shimmy damper mounting	1	ALL	
	AN320-8	Nut—Aircraft shear	1	ALL	
	AN320-7	Nut—Aircraft shear	1	ALL	
	AN364-1614	Nut—Self-locking thin	1	ALL	
89	455677	Clamp Assembly—Nose gear steering nose support	1	ALL	
	AN13-13A	Bolt—Aircraft 10-32	4	ALL	
	AN365-1032	Nut—Self locking	4	ALL	
90	H3-252M	Wheel Assembly—Nose (GFP) (AER 41-8800)	1	ALL	
91	No Number	Casing—56 SC 16 ply (Spec AN-C-55) (GFP) (AER41-7252)	1	ALL	
92	No Number	Tube—56 SC type 1 class 1 style S (Spec AN-I-14) (GFP) (AER41-7253)	1	ALL	
93	255830	Bracket Assembly—Static ground wire	1	ALL	
94	110156	Nut—Static ground wire	1	ALL	
95	255829	Wire Assembly—Static ground	1	ALL	
	556661	Switch Installation—Nose landing gear anti steering LH	NP	ALL	
	556661-1	Switch Installation—Nose landing gear anti steering RH	NP	ALL	
96	456808	Actuator Assembly—Nose strut anti steering switch	1	ALL	
97	WZE7RNTN1	Switch—Micro (MCS)	1	ALL	
98	AN3057-6	Adapter—Electrical accessory	1	ALL	

LANDING GEAR GROUP

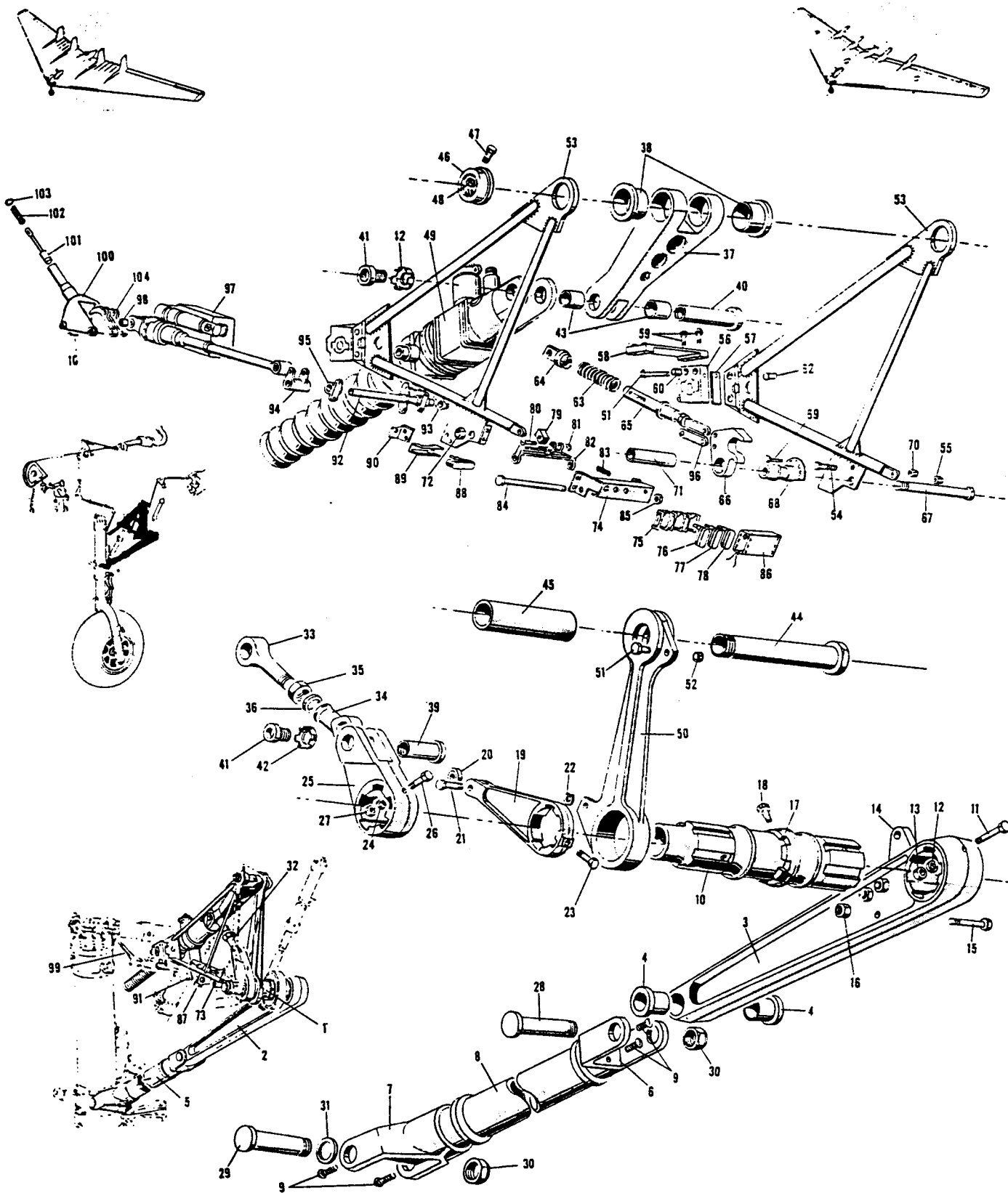


FIGURE 88—NOSE LANDING GEAR RETRACTING MECHANISM

RESTRICTED

LANDING GEAR GROUP
NOSE LANDING GEAR RETRACTING MECHANISM

FIGURE & INDEX NUMBER	PART NUMBER	NOMENCLATURE	UNITS PER ASSEM	USAGE CODE
		1 2 3 4 5 6 7		
	551010-2	Retracting Mechanism—Nose landing gear (For next assembly see page 161)	1	ALL
88 - 1	68923	Brace and Jack Shaft Assembly—Side (PDI)	1	ALL
2	69234	Brace Assembly—Upper side and bushings (PDI)	1	ALL
3	69233	Brace—Upper side (PDI)	1	ALL
4	69231	Bushing—Shoulder (PDI)	2	ALL
5	69230	Tube Assembly—Fittings and side brace (PDI)	1	ALL
6	69228	Fitting—Side brace tube upper end (PDI)	1	ALL
7	69226	Fitting—Side brace tube lower end (PDI)	1	ALL
8	69224	Tube—Side brace (PDI)	4	ALL
9	253S96K1	Screw—Drive (PDI)	1	ALL
10	69223	Shaft—Jack (PDI)	1	ALL
11	AN4-16	Bolt—Aircraft 1/4-28	1	ALL
12	69221	Washer—Special (PDI)	1	ALL
13	AN365-428	Nut—Self locking	1	ALL
14	69220	Fitting—Bungee (PDI)	1	ALL
15	AN5-30	Bolt—Aircraft 5/16-24	1	ALL
16	AN365-524	Nut—Self locking	1	ALL
17	69218	Nut—Jack shaft (PDI)	1	ALL
18	69217	Screw—Lock (1/4-28) (PDI)	1	ALL
19	69216	Arm—Down lock (PDI)	1	ALL
20	RBC8	Bearing—(RBC)	1	ALL
21	69213	Pin—Down lock special (PDI)	1	ALL
22	69212	Ring—Snap (PDI)	1	ALL
23	AN4-15	Bolt—Aircraft (1/4-28)	1	ALL
24	69208	Washer (PDI)	1	ALL
25	69210	Arm—Torque (PDI)	1	ALL
26	AN4-16	Bolt—Aircraft 1/4-28	1	ALL
27	AN365-428	Nut—Self locking	1	ALL
28	69255	Bolt—Special 1-3/4x5-7/16 (PDI)	1	ALL
29	69196	Bolt—Special 1-3/4x8-3/16 (PDI)	2	ALL
30	69195	Nut—Special 1-3/4-16 (PDI)	1	ALL
31	69207	Washer (PDI)	1	ALL
32	451944	Link—Nose landing gear retracting system lower toggle	1	ALL
33	251946	End Assembly—Nose landing gear retracting system lower toggle link male	1	ALL
34	251945	End Assembly—Nose landing gear retracting system lower toggle link female	1	ALL
35	151948	Nut—Nose landing gear retracting system lower toggle link	1	ALL
36	151947	Washer—Nose landing gear retracting system lower toggle link	2	ALL
37	551906	Link—Nose landing gear retracting system upper toggle	2	ALL
38	151925	Bushing—Nose landing gear retracting system upper toggle link	2	ALL
		Attaching Parts		
39	251989	Pin—Nose landing gear retracting system lower toggle	1	ALL
40	251988	Pin—Nose landing gear retracting system center toggle	2	ALL
41	151987	Nut—Nose landing gear retracting system lower and center toggle pin	2	ALL
42	151941	Washer—Nose landing gear retracting system lock	2	ALL
43	152002	Spacer—Nose landing gear retracting system center toggle pin	1	ALL
44	251990	Pin—Nose landing gear retracting system upper toggle	1	ALL
45	151932	Spacer—Nose landing gear retracting system upper toggle link	1	ALL
46	151986	Nut—Nose landing gear retracting system upper toggle pin	1	ALL
47	AN3-7A	Bolt—Aircraft 10-32	1	ALL
48	AN364-1032	Nut—Self locking thin	1	ALL
49	A7609	Actuator—Nose gear locking (DE)	1	ALL
50	551934	Strut Assembly—Nose landing gear retracting system truss	2	ALL
	251936	Bushing—Nose landing gear retracting system truss	1	ALL
51	AN8-16A	Bolt—Aircraft 1 2-20	1	ALL
52	AN364-820	Nut—Self locking thin	2	ALL
53	552011	Truss Assembly—Nose landing gear retracting system	2	ALL
54	AN8-16A	Bolt—Aircraft 1 2-20	2	ALL
55	AN364-820	Nut—Self locking thin	2	ALL
56	252013	Block—Nose landing gear retracting unit trunnion support	2	ALL
57	152377	Shim—Nose landing gear retracting unit trunnion support	1	ALL
58	252012	Plate—Nose landing gear retracting system truss tie	1	ALL
		Attaching Parts		
59	AN74-13	Bolt—Drilled head (1/4)	4	ALL
60	152014	Nut—Nose landing gear retracting system small plug	4	ALL
61	AN77-36	Bolt—Drilled head (7/16)	4	ALL
62	117803	Nut—Oleo attaching bracket plug	4	ALL
63	152329	Spring—Nose landing gear uplock and down lock	1	ALL
64	152363	Seat—Nose landing gear down lock spring	1	ALL
65	252364	Rod Assembly—Nose landing gear down lock push	1	ALL
		Attaching Parts		
	AN24-13	Bolt—Clevis 1 4-28	1	ALL
	AN5-64A	Bolt—Aircraft 5 16-24	1	ALL
	AN320-4	Nut—Aircraft shear	1	ALL
	AN365-524	Nut—Self locking	1	ALL
66	452367	Hook Assembly—Nose landing gear down lock	1	ALL
67	251943	Pin—Nose landing gear down lock support	1	ALL
68	251942	Eccentric—Nose landing gear down lock adjusting	1	ALL
69	AN4-6A	Bolt—Aircraft 1 4-28	1	ALL
70	AN364-428	Nut—Self locking thin	1	ALL
71	NAS43-14-264	Spacer—Screw and bolt	1	ALL

LANDING GEAR GROUP
NOSE LANDING GEAR RETRACTING MECHANISM

FIGURE & INDEX NUMBER	PART NUMBER	NOMENCLATURE	UNITS PER ASSEM	USAGE CODE
88 - 72	AN320-14	Nut—Aircraft shear	1	ALL
73	452323	Switch and Actuator Assembly—Nose landing gear down lock limit	1	ALL
74	456863	Bracket Assembly—Down lock limit switch	3	ALL
75	MC2711	Bracket—Actuator (MCS)	1	ALL
76	YZ-R31	Switch—Micro (MCS)	1	ALL
77	BZ-R31	Switch—Micro (MCS)	1	ALL
78	BZ3YT	Switch—Micro (MCS)	1	ALL
79	252218	Link—Nose landing gear down lock switch timing	1	ALL
80	AN23-27	Bolt—Clevis 10-32	1	ALL
81	AN320-3	Nut—Aircraft shear	1	ALL
82	252219	Lever Assembly—Nose landing gear down lock limit switch actuator	1	ALL
83	152328	Spring—Nose landing gear down lock limit switch timing link	1	ALL
84	AN3DD57	Bolt—Aircraft 10-32	1	ALL
85	AN310D3	Nut—Aircraft castle	1	ALL
86	459868	Cover Assembly—Nose landing gear down lock limit switch	1	ALL
87	252510	Switch and Clip Assembly—Nose landing gear down lock limit	1	ALL
88	YZ-R31	Switch—Micro (MCS)	1	ALL
89	MC2711	Bracket—Actuator (MCS)	1	ALL
90	152362	Clip Assembly—Down lock limit switch	1	ALL
91	452365	Shaft Assembly—Nose landing gear down lock operating	1	ALL
	Attaching Parts		2	ALL
	AN24-13	Bolt—Clevis 1/4-28	2	ALL
	AN320-4	Nut—Aircraft shear	2	ALL
	AN3-16A	Bolt—Aircraft 10-32	1	ALL
92	252371	Shaft Assembly—Nose landing gear down lock operating welded	1	ALL
93	252369	Arm Assembly—Nose landing gear locks operating	1	ALL
94	252368	Arm Assembly—Nose landing gear up lock operating	1	ALL
95	260212	Bearing Assembly—Nose landing gear down lock operating shaft	1	ALL
96	152366	Link—Nose landing gear down lock operating	1	ALL
97	D400AH1	Actuator (LA)	2	ALL
98	162544	Spacer—Nose and main landing gear locks actuator	1	ALL
99	452438	Housing Assembly—Nose landing gear locks system emergency release	2	ALL
	Attaching Parts		2	ALL
	AN4-24A	Bolt—Aircraft 1/4-28	2	ALL
	AN364-428	Nut—Self locking thin	1	ALL
100	452541	Housing—Nose landing gear locks system emergency release	1	ALL
101	252439	Plunger—Locks system emergency release housing	1	ALL
102	152440	Spring—Locks system emergency release housing	1	ALL
103	NAS50-68	Ring—Internal retainer	1	ALL
104	452441	Support—Nose landing gear lock system actuator	1	ALL
105	152545	Spacer—Nose landing gear lock system actuator support	1	ALL

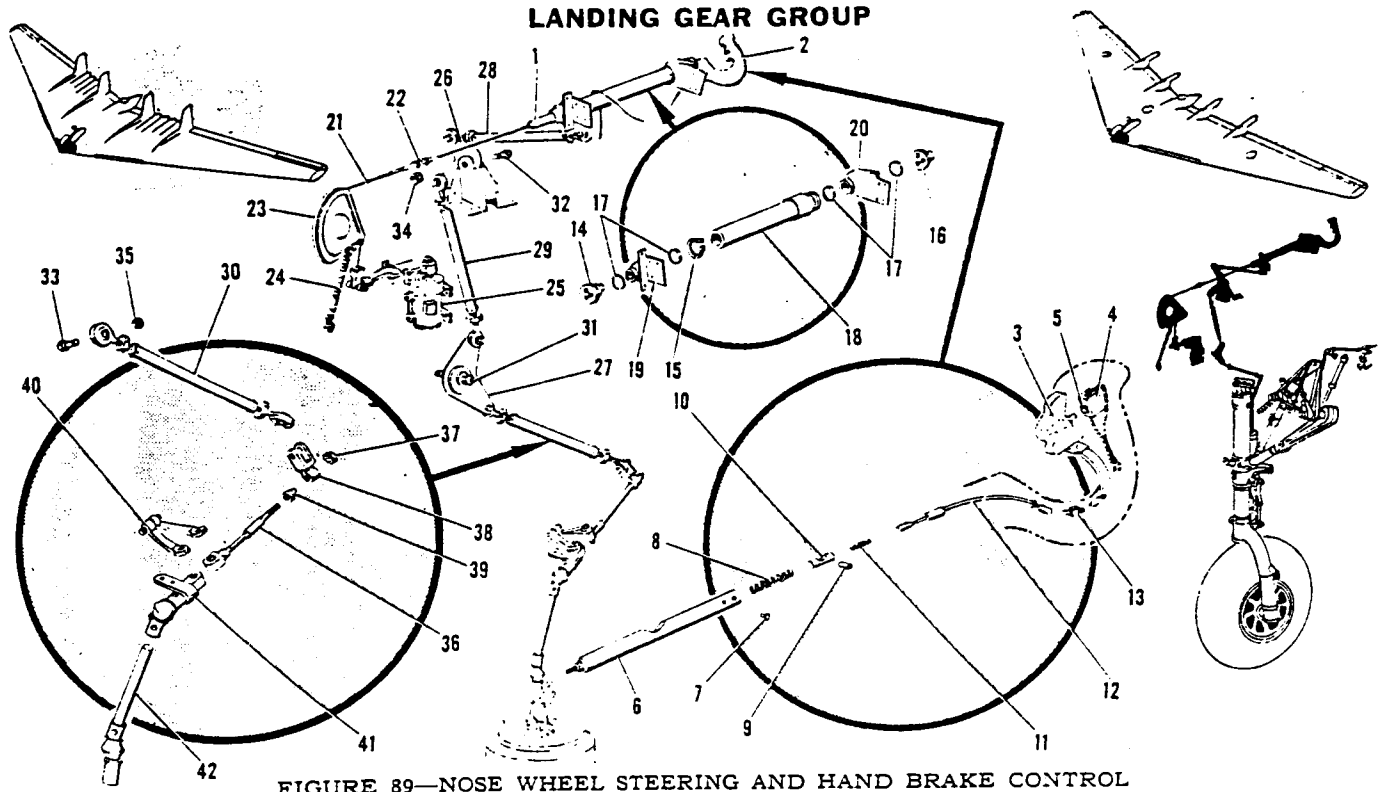


FIGURE 89—NOSE WHEEL STEERING AND HAND BRAKE CONTROL

NOSE WHEEL STEERING AND HAND BRAKE CONTROL

FIGURE & INDEX NUMBER	PART NUMBER	NOMENCLATURE						UNITS PER ASSEM	USAGE CODE
		1	2	3	4	5	6		
		Control Installation—Nose wheel steering and hand brake (For next assembly see page 161)						NP	ALL
89 - 1	553232	Handle Assembly—Handbrake and steering mechanism						1	ALL
2	453203	Handle—Handbrake and steering mechanism						1	ALL
3	553209	Lever Assembly—Handbrake and steering mechanism control handle						1	ALL
4	453375	Switch Assembly—Handbrake and steering mechanism handle						1	ALL
5	CR1070C103B3	Switchette (GE)						1	ALL
6	453206	Tube Assembly—Handbrake and steering mechanism						1	ALL
7	153355	Stud—Handbrake & steering mechanism handle						1	ALL
8	153204	Spring—Handbrake & steering mechanism brake lock						1	ALL
9	153537	Pin—Handbrake & steering mechanism brake lock						1	ALL
10	158215	Guide—Handbrake & steering mechanism brake lock pin						1	ALL
11	158216	Spring—Handbrake & steering mechanism brake lock small						1	ALL
12	253213	Cable—Handbrake & steering mechanism brake lock release						1	ALL
13	153205	Screw—Handbrake and steering mechanism cable adjusting						1	ALL
	553217	Support Installation—Handbrake and steering tube						NP	ALL
14	253222	Housing Assembly—Handbrake and steering tube support						1	ALL
15	NAS51-106	Ring—Retainer						1	ALL
16	253225	Housing Assembly—Handbrake and steering tube support						4	ALL
17	153354	Washer—Handbrake and steering tube housing						1	ALL
18	253220	Sleeve—Handbrake and steering tube lock						1	ALL
19	453219	Bracket Assembly—Handbrake and steering support						1	ALL
20	453221	Bracket Assembly—Handbrake and steering support						1	ALL
21	153383	Cable Assembly—Handbrake and steering mechanism						1	ALL
22	AN155-16S	Barrel—Turnbuckle						1	ALL
23	453385	Quadrant—Handbrake and steering mechanism brake cable						1	ALL
24	96	Spring (CSC)						1	ALL
25	405432	Brake Valve (BX) (SEE TO AN03-30-47)						1	ALL
26	253392	Crank Assembly—Handbrake and steering mechanism upper bell						1	ALL
27	253393	Crank Assembly—Handbrake and steering mechanism lower bell						1	ALL
28	NAS118-2519	Rod Assembly—Control riveted tube						1	ALL
29	NAS113-9.53	Rod Assembly—Control riveted tube						1	ALL
30	NAS113-9.13	Rod Assembly—Control riveted tube						1	ALL
		Attaching Parts							
31	153382	Bolt—Lower bell crank support						1	ALL
32	AN5-13A	Bolt—Aircraft (5 16x24)						4	ALL
33	AN3-10A	Bolt—Aircraft 10-32						1	ALL
34	AN364-524	Nut—Self locking thin						1	ALL
35	AN365-1032	Nut—Self locking						5	ALL
36	253388	Shaft—Handbrake and steering mechanism upper torque						1	ALL
37	AN364-428	Nut—Self locking thin						2	ALL
38	253389	Arm—Handbrake & steering mechanism upper torque shaft						1	ALL
39	459978	Gland—Handbrake & steering mechanism upper torque						1	ALL
40	253387	Link Assembly—Handbrake and steering mechanism upper to lower torque shaft						2	ALL
41	253464	Shaft Assembly—Handbrake and steering mechanism lower torque						1	ALL
42	253391	Tube Assembly—Handbrake and steering mechanism lower torque						1	ALL

RESTRICTED
AN 01-15EAA-4
POWER PLANT GROUP

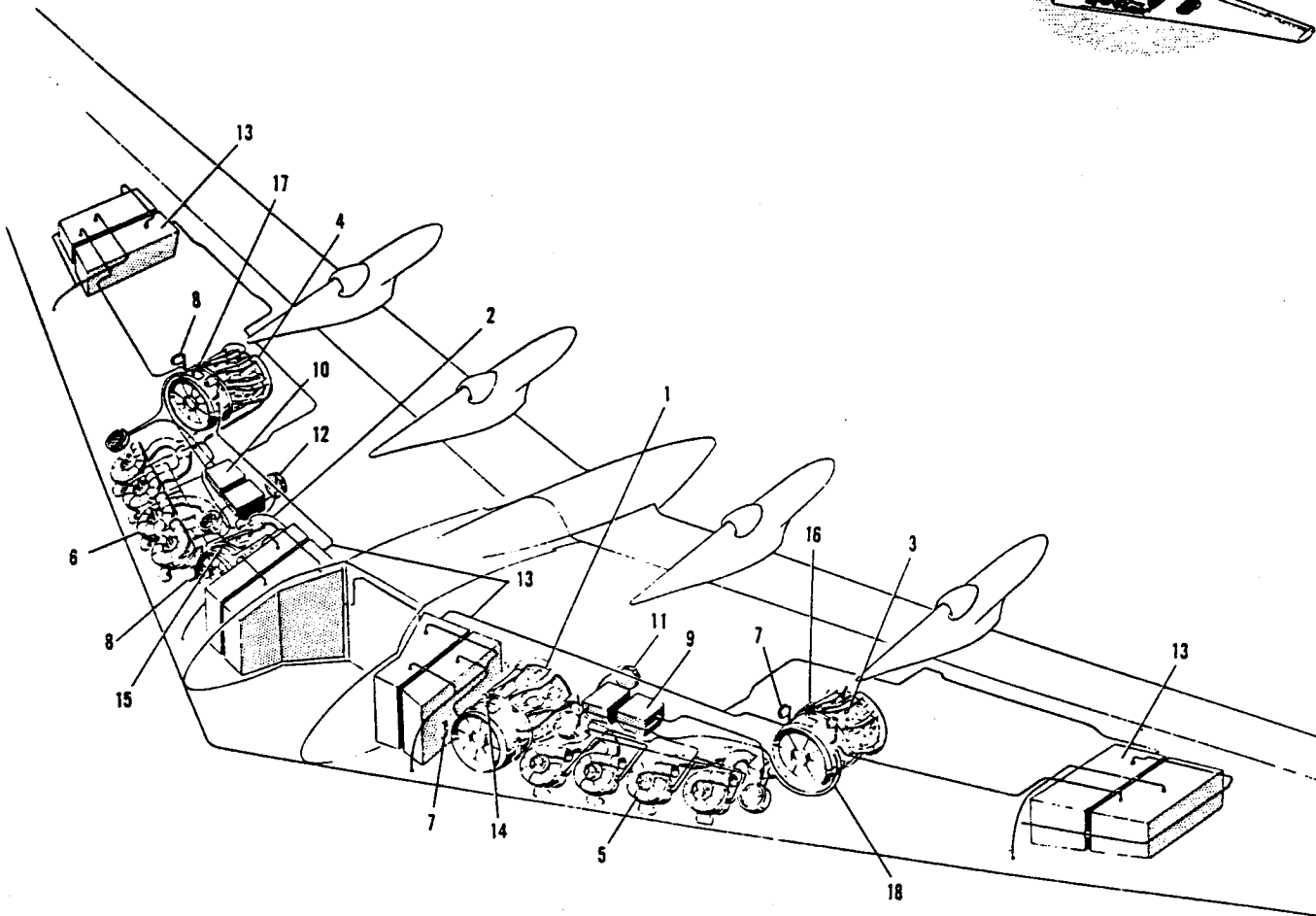
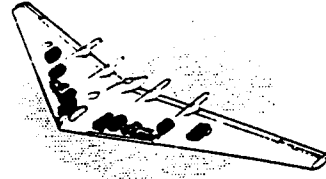


FIGURE 90—YB-35 POWER PLANT COMPLETE

YB-35 POWER PLANT COMPLETE

FIGURE & INDEX NUMBER	PART NUMBER	NOMENCLATURE							UNITS PER ASSEM	USAGE CODE
		1	2	3	4	5	6	7		
		1	2	3	4	5	6	7		
	590500								NP	X
90 - 1	590501								NP	X
2	590502								NP	X
3	591301								NP	X
4	591302								NP	X
5	557933								NP	X
6	557933-1								NP	X
7	591000-10								NP	X
8	591000-20								NP	X
9	590006-10								NP	X
10	590006-20								NP	X
11	559010								NP	X
12	559044								NP	X
13	593000								NP	X
14	551095								NP	X
15	551095-1								NP	X
16	551096								NP	X
17	551096-1								NP	X
18	556266								NP	X

POWER PLANT GROUP
YB-35 INBOARD ENGINES

FIGURE & INDEX NUMBER	PART NUMBER	NOMENCLATURE	UNITS PER ASSEM	USAGE CODE		
					1	2
	590501	Engine Installation—Inboard LH (For next assembly see page 170) ((YB-35)	NP	X		
	590502	Engine Installation—Inboard RH (For next assembly see page 170) (YB-35)	NP	X		
	590701	Mounts Installation—Inboard engine LH	NP	X		
	590702	Mounts Installation—Inboard engine RH	NP	X		
91 - 1	590749	Support Assembly—Inboard inboard engine drive end mount LH	1	X		
	590750	Support Assembly—Inboard inboard engine drive end mount RH	1	X		
2	590751	Support Assembly—Outboard inboard engine drive end mount LH	1	X		
	590752	Support Assembly—Outboard inboard engine drive end mount RH	1	X		
3	290757	Brace Assembly—Inboard engine drive end mount	1	X		
4	177284	Bolt Assembly—Inboard engine drive end mount brace inboard	1	X		
5	190718	Bolt Assembly—Inboard engine drive end mount side inboard	1	X		
6	190747	Spring—Engine mount ring retaining	2	X		
7	190746	Nut—Engine mount ring floating	2	X		
8	291509	Bracket—Engine mount ring	2	X		
9	191507	Fitting—Engine mount ring	2	X		
10	490731	Bracket—Hine fitting inboard engine drive end mount	4	X		
11	290734	Fitting—Upper inboard engine drive end mount hinge	2	X		
12	290728	Fitting—Lower inboard engine drive end mount hinge	2	X		
13	590501-10	Engine Assembly—Inboard LH	1	X		
	590502-10	Engine Assembly—Inboard RH	1	X		
		Attaching Parts				
14	191504	Bolt—Engine mount ring	2	X		
15	177198	Bolt—Engine mount ring	1	X		
16	556164-2	Ring Assembly—Engine mount inboard	1	X		
17	590710	Collar Assembly—Engine drive end mount	1	X		
	291509	Bracket—Engine ring mount	2	X		
	190746	Nut—Engine ring mount floating	2	X		
	190747	Spring—Engine ring mount retaining	2	X		
18	R4360-47	Engine—(Pratt & Whitney) (GFP)	1	X		
19	96734	Mount—Spoke (PW)	7	X		
20	1548-2A	Starter—Engine (GFP) (Type K1)	1	X		
21	110443	Fan—Engine (35° blade angle) (GFP)	1	X		
	558873	Control Installation—Engine fan speed	NP	W		
	560568	Control Installation—Engine fan speed	NP	U		
22	6912-4	Actuator—(WR)	1	W		
	452015-4	Actuator—Geneva loc (PDI)	1	U		
	590967	Beam Installation—Engine hoisting forward	NP	X		
23	490968	Beam Assembly—Engine hoisting forward attaching	1	X		
24	290969	Fitting—Hoist attaching female	2	X		
25	190903	Fitting—Hoist attaching male	2	X		
26	290977	Bolt—Engine lifting forward lug	1	X		
27	290978	Rod—Engine hoisting forward beam	1	X		
28	556364	Seal—Engine hoisting forward rod	1	X		
29	556280-4	Shroud Installation—Engine cooling air LH	NP	X		
	556280-8	Shroud Installation—Engine cooling air RH	NP	X		
	556280-26	Skirt Assembly—Engine cooling air shroud lower	1	X		
	556280-28	Skirt Assembly—Engine cooling air shroud upper	1	X		
	556280-42	Ring Assembly—Engine cooling air	1	X		
	556280-58	Panel Assembly—Engine cooling air	1	X		
	556280-62	Panel Assembly—Engine cooling air	1	X		
	556280-68	Panel Assembly—Engine cooling air	1	X		
	556280-86	Panel Assembly—Engine cooling air LH	1	X		
	556280-87	Panel Assembly—Engine cooling air RH	1	X		
	556280-100	Panel Assembly—Engine cooling air	2	X		
	556280-142	Panel Assembly—Engine cooling air LH	2	X		
	556280-143	Panel Assembly—Engine cooling air RH	1	X		
	556280-150	Panel Assembly—Engine cooling air LH	1	X		
	556280-151	Panel Assembly—Engine cooling air RH	1	X		
	556280-152	Panel Assembly—Engine cooling air LH	1	X		
	556280-162	Panel Assembly—Engine cooling air RH	1	X		
	556280-154	Panel Assembly—Engine cooling air LH	1	X		
	556280-160	Panel Assembly—Engine cooling air RH	1	X		
	556280-238	Panel Assembly—Engine cooling air LH	1	X		
	556280-227	Panel Assembly—Engine cooling air RH	1	X		
	559102	Duct Installation—Header shroud cooling air	NP	X		
30	3201230-2	Duct Assembly—Air header shroud cooling (ARW)	6	X		
31	3201230-4	Duct Assembly—Air header shroud cooling (ARW)	7	X		
32	459104	Scoop—Header shroud cooling air	14	X		
33	259106	Retainer—Header shroud cooling air duct	7	X		
34	459105	Adapter Assembly—Shroud cooling air	1	CF		
35	556326	Adapter Assembly—Inboard engine cooling duct	1	G HU		
	559403	Adapter Assembly—Inboard engine cooling duct	NP	X		
	591117	Plate Installation—Carburetor air intake elbow	1	X		
36	491905	Plate Assembly—Carburetor air intake elbow	NP	X		
	584575	Electrical Installation—Demountable engine No. 2 LH	NP	X		
	584576	Electrical Installation—Demountable engine No. 3 RH	NP	X		
	552252	Connector Assembly—Engine No. 2 pull box LH	1	X		
	552253	Connector Assembly—Engine No. 3 pull box RH	1	X		
37	452250	Box Assembly—Engine pull	2	X		
38	V9029185	Adapter—(GE)	1	X		
39	CR2992A104A5	Element—Thermosensitive (GE)	1	X		
40	CR2992A104A7	Element—Thermosensitive (GE)	1	X		
41	452315	Connector Assembly—Engine No. 2 starter LH	1	X		
	452316	Connector Assembly—Engine No. 3 starter RH	1	X		
42	452319	Connector Assembly—Engine No. 2 ignition LH	1	X		
	452320	Connector Assembly—Engine No. 3 ignition RH	1	X		
	L507-17	Lead—Thermocouple	1	X		

POWER PLANT GROUP

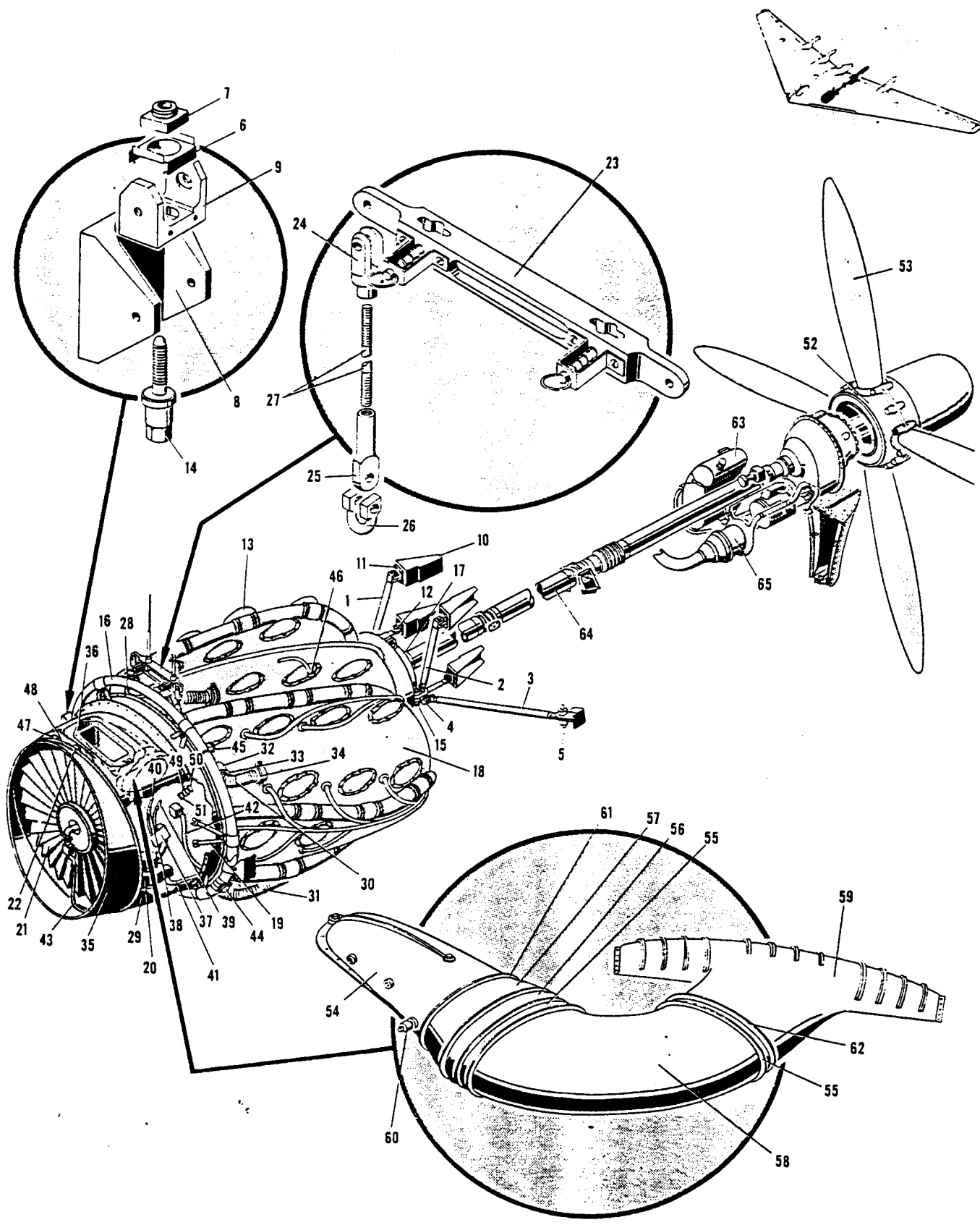


FIGURE 91—YB-35 INBOARD ENGINES

RESTRICTED

POWER PLANT GROUP
YB-35 INBOARD ENGINES

FIGURE & INDEX NUMBER	PART NUMBER	NOMENCLATURE							UNITS PER ASSEM	USAGE CODE
		1	2	3	4	5	6	7		
91 - 43	452598	1	X
	452599	1	X
44	459006	1	X
45	258669	4	X
46	AN5541-1	1	X
47	AN4102-1	1	X
48	AN4059-1	1	X
49	R222G	1	X
50	AN900-10	1	X
51	261088	1	X
52	HSP24F60-344	1	CFGH
	HSP24F60-342	1	JKU
53	6840A-0	4	X
	591101	NP	X
	591102	NP	X
54	591152	1	X
55	K6931-1	2	X
56	K6931-2	1	X
57	591157	1	X
58	591131	1	X
	591132	1	X
59	556075	1	X
	556075-1	1	X
	557638	1	X
	557638-1	1	X
60	46B188	1	X
61	491158	1	X
62	491136	6	X
63	561031	NP	X
		NP	X
64	591201	NP	X
	591202	NP	X
65	558715	NP	X

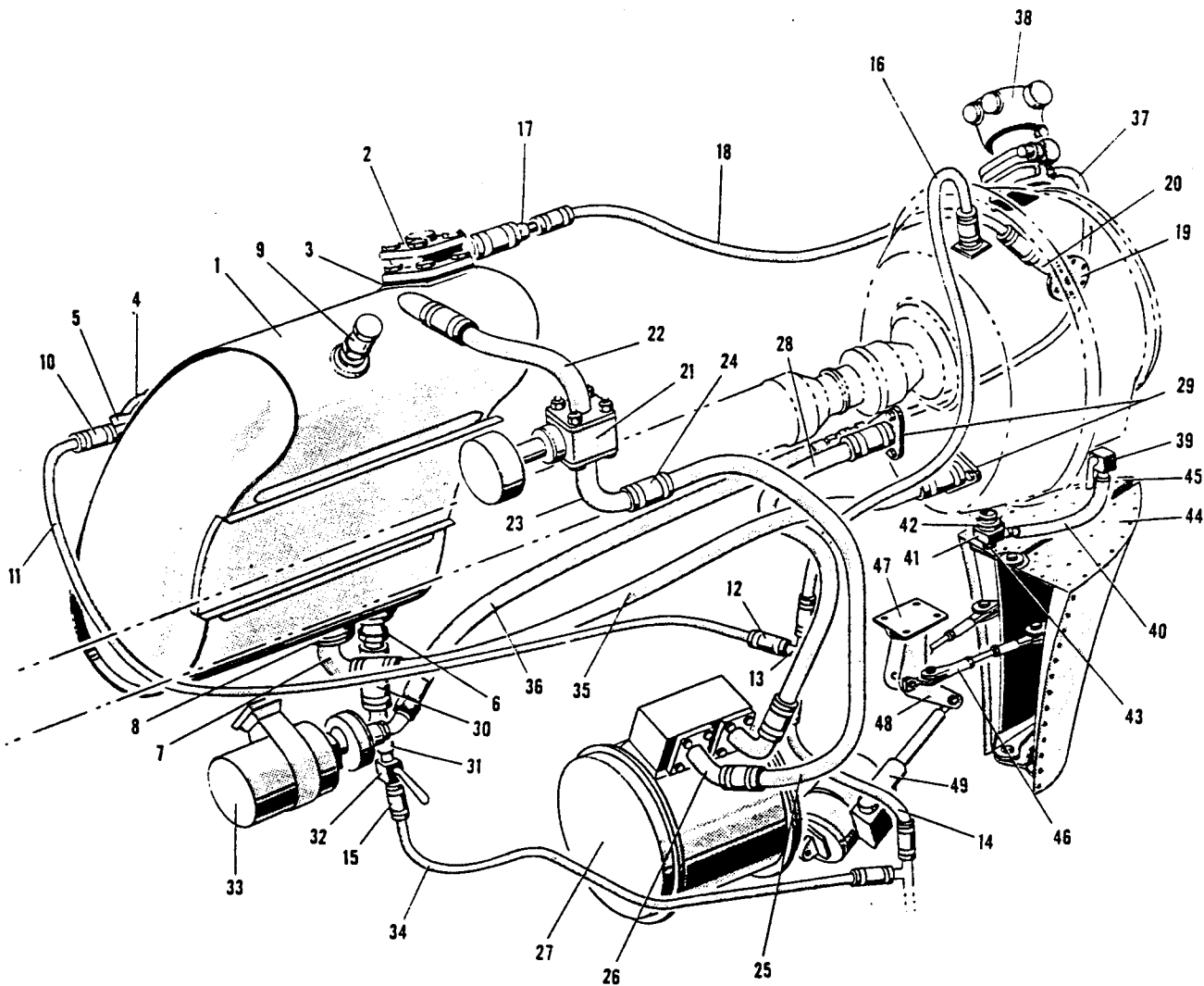
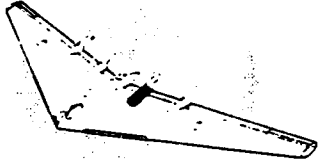


FIGURE 92—YB-35 INBOARD PROPELLER FEATHERING AND GEAR BOX OIL SYSTEM

POWER PLANT GROUP
YB-35 INBOARD PROPELLER FEATHERING AND GEAR BOX OIL SYSTEM

FIGURE & INDEX NUMBER	PART NUMBER	NOMENCLATURE							UNITS PER ASSEM	USAGE CODE
		1	2	3	4	5	6	7		
	561031	System Installation—Inboard propeller feathering and gear box oil (For next assembly see page 171)							NP	X
	560901	Tank Assembly—Single rotation gear box complete oil							1	X
		Attaching Parts								
	561018	Support Assembly—Gear box oil tank							1	X
	AN150-16S	Turnbuckle							4	X
	AN23-10	Bolt—Clevis 10-32							8	X
	AN365-1032	Nut—Self locking							8	X
92 - 1	560848	Tank Assembly—Single rotation gear box complete oil							1	X
2	SA4535	Valve—Oil (STANDARD AIRCRAFT PRODUCTS, DAYTON, OHIO)							1	X
3	SA4534	Gasket—(STANDARD AIRCRAFT PRODUCTS, DAYTON, OHIO)							1	X
4	42B3581	Cap and Adapter Assembly							1	X
5	460957	Scupper Assembly—Gear box oil tank							1	X
6	AN840-17	Adapter—Hose to pipe thread							1	X
7	461014	Tube Assembly—Single rotation gear box oil tank							1	X
8	259567	Gasket—Gear box oil tank outlet							1	X
9	52SLFG1-2D	Valve—Check (PA)							1	X
10	561031-2	Hose—Gear box oil system							1	X
	AN748-26	Clamp—Hose							1	X
11	561086-36	Tube—Propeller feathering oil							1	X
12	561031-10	Hose—Gear box oil system							1	X
13	261081	Tee Assembly—Gear box vent drain							1	X
14	561086-24	Tube—Propeller feathering oil							1	X
15	561031-6	Hose—Gear box oil system							8	X
16	561086-20	Tube—Gear box and propeller feathering oil							1	X
17	261080	Reducer—Gear box oil tank vent							1	X
18	561086-32	Tube—Gear box and propeller feathering oil							1	X
19	261046	Fitting—Gear box vent							1	X
20	AN842-8	Elbow—Pipe thread hose 90°							1	X
21	12082-3	Thermostat Assembly—(AIR)							1	X
22	561233	Fitting Assembly—Oil thermostat							1	X
23	288870	Fitting Assembly—Propeller housing oil system elbow							2	X
	10G108	Gasket—Flange							4	X
	AN742-18C	Clamp—Hose							1	X
24	561031-8	Hose—Gear box oil system							8	X
	AN748-46	Clamp—Hose							16	X
25	561086-12	Tube—Gear box and propeller feathering oil							1	X
26	289015	Fitting Assembly—Gear box oil system							1	X
27	18279	Cooler Assembly—Oil (AIR)							1	X
28	561086-4	Tube—Gear box and propeller feathering oil							2	X
29	289017	Fitting Assembly—Gear box oil system							2	X
	10G115	Gasket—Flange							2	X
30	561031-4	Hose—Gear box oil system							1	X
31	461161	Tee—Propeller feathering oil drain							1	X
32	W7000-12D	Valve Assembly—(WTR)							1	X
	AN748-30	Clamp—Hose							16	X
33	71710	Pump Assembly—Propeller feathering (GFP)							1	X
	AN76A5	Bolt—Drilled head							4	X
	AN960D616	Washer—Plain							4	X
	AN912-7	Bushing—Reducer							1	X
	AN823-10	Elbow—Flared tube pipe thread 45°							1	X
34	561086-28	Tube—Gear box and propeller feathering oil							1	X
	AN792-10D	Fitting Assembly—Hose swivel detachable							2	X
35	561086-8	Tube—Gear box and propeller feathering oil							1	X
36	561031-14	Hose—Gear box oil system							1	X
	AN832-10	Union—Flared tube							1	X
	AN924-10	Nut—Flared tube							1	X
37	561086-16	Tube—Gear box and propeller feathering oil							1	X
38	5X18BSU	Governor—Propeller (GFP)							1	X
39	W6100-1-8D	Valve Assembly—(WTR)							1	X
40	561031-12	Hose—Gear box oil system							1	X
	AN748-22	Clamp—Hose							2	X
	261084	Clip—Gear box drain hose							1	X
	750-10-2-8	Clip—(AP)							1	X
	AN840-4	Adapter—Hose to pipe thread							2	X
41	261085	Fitting—Gear box drain connection							1	X
42	256229	Fitting—Gear box drain box							1	X
43	AN3H11A	Bolt—Aircraft 10-32							1	X
	561022	Flap Installation—Inboard gear box oil cooler air							NP	X
44	561022-14	Flap Assembly—Inboard gear box oil cooler air LH							1	X
45	561022-15	Flap Assembly—Inboard gear box oil cooler air RH							1	X
46	561029	Bracket—Gear box oil flap LH							1	X
	561029-1	Bracket—Gear box oil flap RH							1	X
	591231	Actuator Installation—Inboard gear box oil cooler air flap							NP	X
47	591231-10	Fitting—Inboard gear box oil cooler air flap actuator							1	X
48	591231-20	Lever—Inboard gear box oil cooler air flap actuator							1	X
49	25603	Actuator Assembly—Air flap (AIR)							1	X

POWER PLANT GROUP

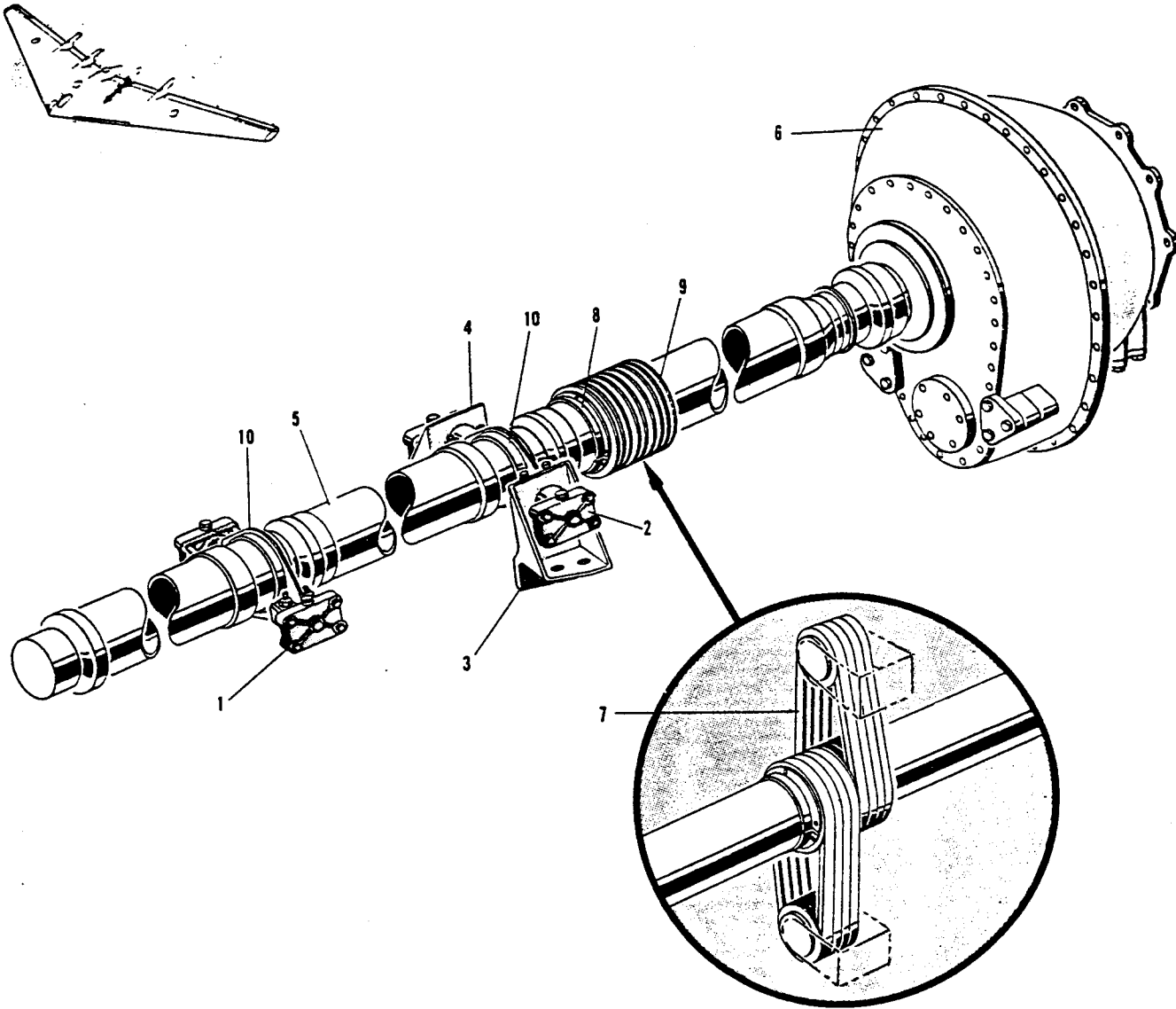


FIGURE 93—YB-35 INBOARD PROPELLER SHAFT

YB-35 INBOARD PROPELLER SHAFT

FIGURE & INDEX NUMBER	PART NUMBER	NOMENCLATURE	UNITS PER ASSEM	USAGE CODE
		1 2 3 4 5 6 7		
	591201	Propeller Shaft Installation—Inboard LH (For next assembly see page 171)	NP	X
	591202	Propeller Shaft Installation—Inboard RH (For next assembly see page 171)	NP	X
93 - 1	461047	Case Assembly—Propeller shaft bearing support forward inboard	2	X
2	461049	Case Assembly—Propeller shaft bearing support aft inboard	2	X
3	491211	Support—Inboard propeller shaft bearing mount outboard LH	1	X
	491212	Support—Inboard propeller shaft bearing mount outboard RH	1	X
4	491215	Support—Inboard propeller shaft bearing mount inboard LH	1	X
	491216	Support—Inboard propeller shaft bearing mount inboard RH	1	X
5	R85380	Shaft—Propeller (PW) (GFP)	1	X
6	No Number	Gear Box—Single rotational (GFP)	8	X
7	B38	Belt—Vee (GD)	2	X
8	451857	Ring Assembly—Hydraulic pump drive friction	1	X
9	451852	Pulley—Hydraulic pump drive friction	1	X
10	492003	Collar—Bearing mount propeller shaft	2	X

POWER PLANT GROUP

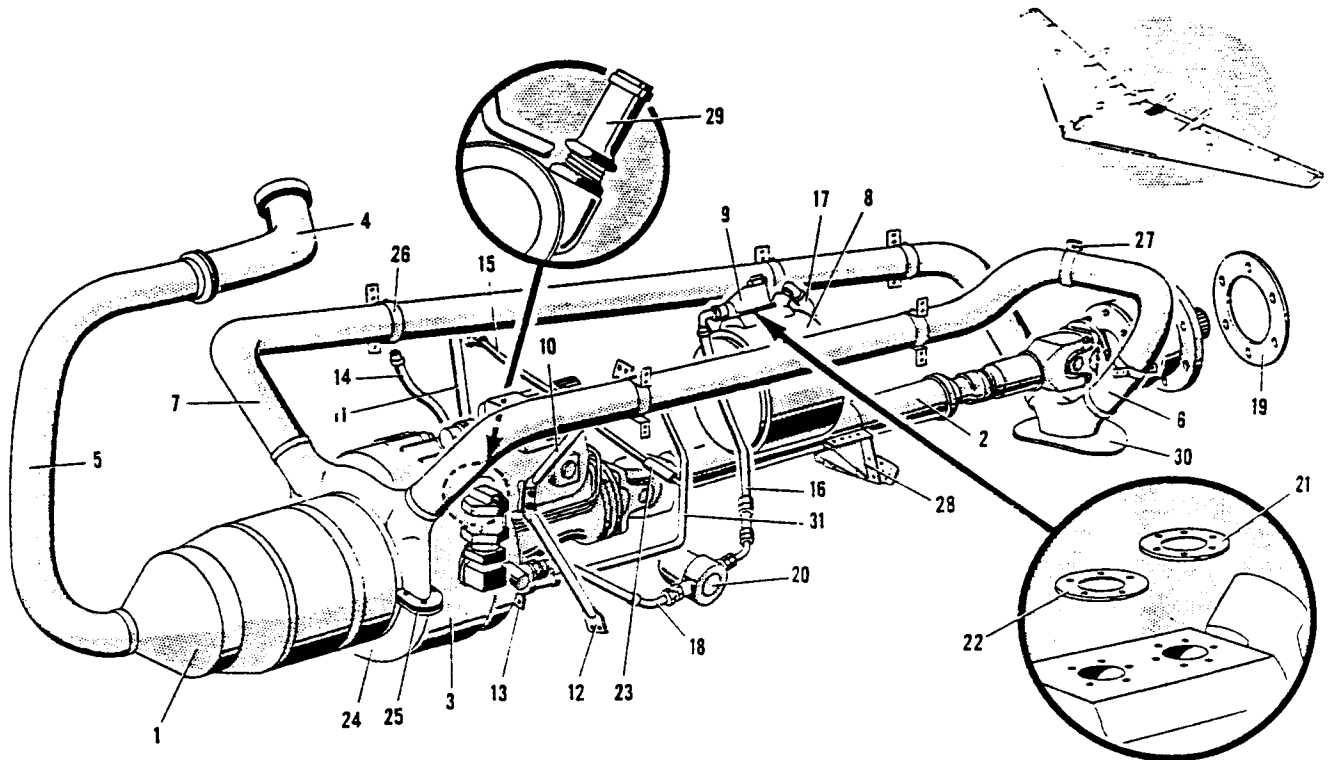


FIGURE 94—YB-35 INBOARD ALTERNATOR

YB-35 INBOARD ALTERNATOR

FIGURE & INDEX NUMBER	PART NUMBER	1	2	3	4	5	6	7	NOMENCLATURE	UNITS PER ASSEM	USAGE CODE
	558715								Alternator Installation—Inboard (For next assembly see page 171)	NP	X
94 - 1	7B8478								Alternator—(Spec. 32509) (GFP)	1	X
2	SK38003								Shaft and Joint Assembly—(GFP)	1	X
3	9172369								Unit—Constant speed drive (GFP)	1	X
4	P222-12-1100								Duct—(USR)	1	X
5	P222-12-4000								Duct—(USR)	1	X
6	P222-10-6800								Duct—(USR)	1	X
7	P222-10-6400								Duct—(USR)	1	X
8	B36346								Cooler—Oil (CLF)	1	X
9	U3305DV6								Valve—Oil cooler (UA)	1	X
10	461860								Support Assembly—Inboard alternator upper LH	1	X
11	461860-1								Support Assembly—Inboard alternator upper RH	1	X
12	461859								Support Assembly—Inboard alternator lower LH	1	X
13	461859-1								Support Assembly—Inboard alternator lower RH	1	X
14	558715-30								Hose	1	X
15	558715-14								Line Assembly—Inboard alternator	1	X
16	558715-26								Tube Assembly—Inboard alternator	2	X
17	558715-22								Hose	1	X
18	460127								Elbow Assembly—Alternator oil system inboard	1	X
19	461414								Gasket—Propeller gear box generator drive cover plate	1	X
20	AN6234-4								Filter—Oil	1	X
21	258759								Gasket—Alternator drive oil cooler cover	1	X
22	258890								Gasket—Alternator drive oil cooler outlet	1	X
23	558715-28								Hose	1	X
24	291259								Ring Assembly—Generator hot air collector	4	X
25	191260								Gasket—Generator hot air collector ring	6	X
26	491261								Support Assembly—Generator hot air duct bulkhead	1	X
27	291262								Support Assembly—Rib 299 generator hot air duct	1	X
28	560662								Guard Assembly—Alternator shaft	1	X
29	261858								Fitting—Alternator drive oil filler	1	X
30	491256								Outlet Assembly—Inboard generator air cooling	1	X
31	560157								Oil Line Assembly—Alternator installation inboard	1	X

RESTRICTED
AN 01-15EAA-4
POWER PLANT GROUP

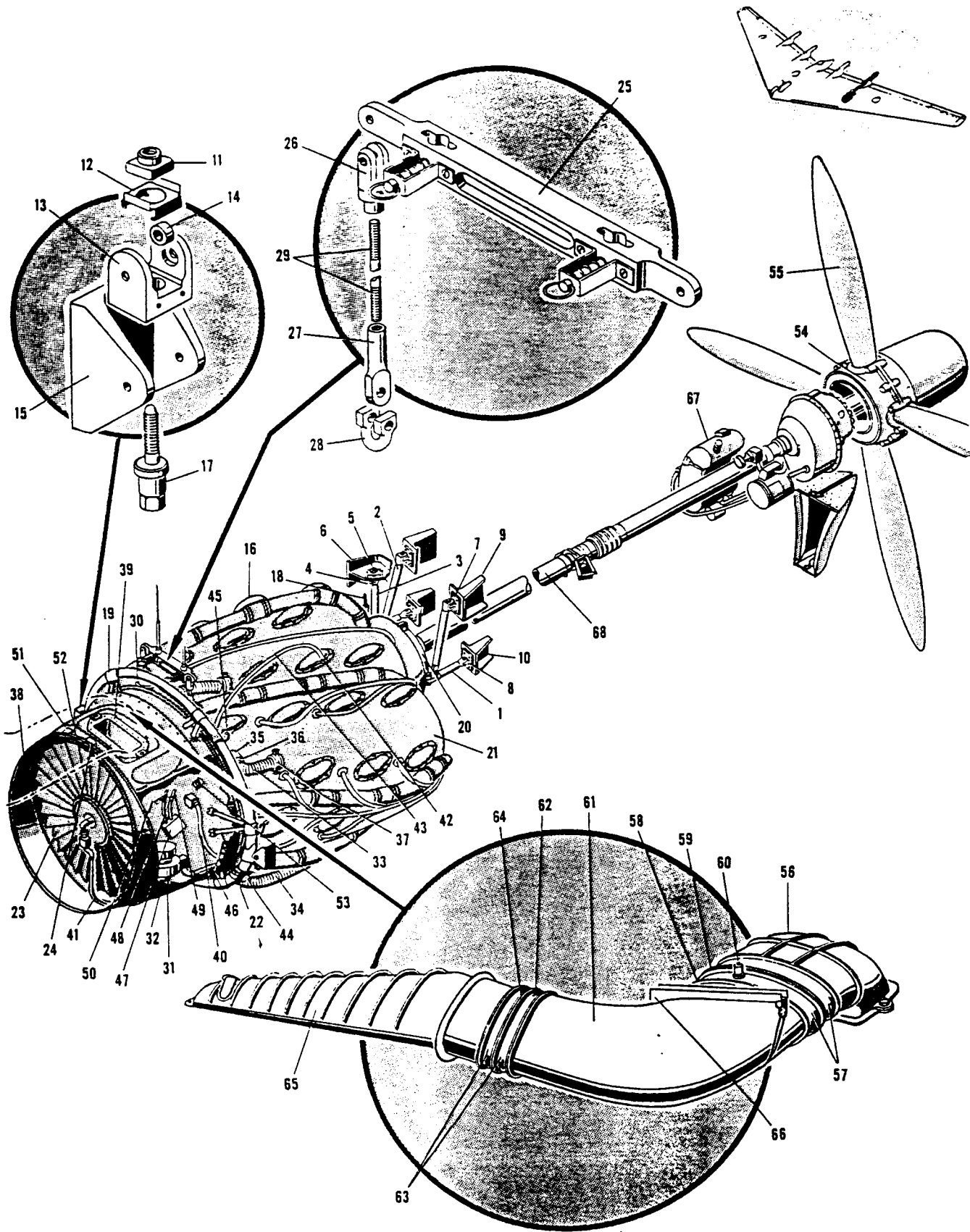


FIGURE 95—YB-35 OUBOARD ENGINES

RESTRICTED

POWER PLANT GROUP
YB-35 OUTBOARD ENGINES

FIGURE & INDEX NUMBER	PART NUMBER	NOMENCLATURE							UNITS PER ASSEM	USAGE CODE
		1	2	3	4	5	6	7		
	591301	Engine Installation—Outboard LH (For next assembly see page 170)							NP	X
	591302	Engine Installation—Outboard RH (For next assembly see page 170)							NP	X
	591501	Mounts Installation—Outboard engine LH							NP	X
	591502	Mounts Installation—Outboard engine RH							NP	X
95 - 1	491513	Support Assembly—Outboard outboard engine drive end mount LH							1	X
	491514	Support Assembly—Outboard outboard engine drive end mount RH							1	X
2	591525	Support Assembly—Inboard outboard engine drive end mount LH							1	X
	591526	Support Assembly—Inboard outboard engine drive end mount RH							1	X
3	291528	Brace Assembly—Outboard engine drive end mount							1	X
	190718	Bolt Assembly—Side brake							1	X
4	190717	Nut—Engine mount ring floating							2	X
	591533	Bracket—Side brake assembly outboard engine mount LH							1	X
6	591534	Bracket—Side brake assembly outboard engine mount RH							1	X
	291503	Fitting—Upper outboard engine drive end mount hinge							2	X
7	291511	Fitting—Lower outboard engine drive end mount hinge							2	X
	491531	Bracket—Upper outboard engine drive end mount hinge							2	X
8	491532	Bracket—Lower outboard engine drive end mount							2	X
	460569	Fitting—Aft engine outboard							2	X
10	190746	Nut—Engine ring mount floating							2	X
	190747	Spring—Engine ring mount retaining							2	X
11	191507	Fitting—Engine ring mount swing							2	X
	191510	Bushing—Engine ring mount bracket							4	X
12	291509	Bracket—Engine ring mount							2	X
	591301-10	Engine Assembly—Outboard LH							1	X
13	591302-10	Engine Assembly—Outboard RH							1	X
	Attaching Parts									
14	191504	Bolt—Engine mount ring							2	X
	177198	Bolt—Engine mount ring							1	X
15	556164-4	Ring Assembly—Engine mount outboard LH							1	X
	556164-24	Ring Assembly—Engine mount outboard RH							1	X
16	590710	Collar Assembly—Engine drive end mount							1	X
	R4360-45	Engine—Outboard (PW) (GFP)							1	X
17	96734	Mount—Spoke (PW)							7	X
	110443	Fan—Engine (35° blade angle) (GFP)							1	X
18	558873	Control Installation—Engine fan speed							NP	W
	560568	Control Installation—Engine fan speed							NP	U
19	6912-4	Actuator—(WR)							1	W
	452015-4	Actuator—Geneva loc (PDI)							1	U
20	590967	Beam Installation—Engine hoisting forward							NP	X
	490968	Beam Assembly—Engine hoisting forward attaching							1	X
21	290969	Fitting—Hoist attaching female							2	X
	190903	Fitting—Hoist attaching male							2	X
22	290977	Bolt—Engine lifting forward lug							1	X
	290978	Rod—Engine lifting forward beam							1	X
23	556364	Seal—Engine lifting forward rod							1	X
	1548-2A	Starter—Engine (GFP) (Type K1)							1	X
24	556280-2	Shroud Installation—Engine cooling air LH							NP	X
	556280-6	Shroud Installation—Engine cooling air RH							NP	X
25	556280-26	Skirt Assembly—Engine cooling air lower							1	X
	556280-28	Skirt Assembly—Engine cooling air upper							1	X
26	556280-32	Support Assembly—Engine cooling air							6	X
	556280-42	Ring Assembly—Engine cooling air							1	X
27	556280-58	Panel Assembly—Engine cooling air							1	X
	556280-62	Panel Assembly—Engine cooling air							1	X
28	556280-68	Panel Assembly—Engine cooling air LH							1	X
	556280-70	Panel Assembly—Engine cooling air RH							1	X
29	556280-71	Panel Assembly—Engine cooling air LH							1	X
	556280-86	Panel Assembly—Engine cooling air RH							1	X
30	556280-87	Panel Assembly—Engine cooling air RH							1	X
	556280-98	Panel Assembly—Engine cooling air RH							1	X
31	556280-100	Panel Assembly—Engine cooling air							1	X
	556280-150	Panel Assembly—Engine cooling air							1	X
32	556280-160	Panel Assembly—Engine cooling air RH							1	X
	556280-161	Panel Assembly—Engine cooling air LH							1	X
33	559102	Duct Installation—Header shroud cooling air							NP	X
	3201230-2	Duct Assembly—Header shroud cooling air (ARW)							6	X
34	3201230-4	Duct Assembly—Header shroud cooling air (ARW)							1	X
	459104	Scoop—Header shroud cooling air							7	X
35	259106	Retainer—Header shroud cooling air duct							14	X
	459105	Adapter—Header shroud cooling air duct							7	X
36	555628	Adapter Assembly—Outboard engine cooling duct LH							1	X
	555628-1	Adapter Assembly—Outboard engine cooling duct RH							1	X
37	591117	Plate Installation—Carburetor air intake elbow							NP	X
	491905	Plate Assembly—Carburetor air intake elbow							1	X
38	584577	Electrical Installation—Demountable engine No. 1							NP	X
	584578	Electrical Installation—Demountable engine No. 4							1	X
39	AN3064-6	Connector—Conduit box							1	X
	AN3066-6	Nut—Lock conduit coupling							1	X
40	452318	Connector Assembly—Engine No. 1 ignition LH							1	X
	452321	Connector Assembly—Engine No. 4 ignition RH							1	X
41	452597	Connector Assembly—Engine No. 1 fan tachometer LH							1	X
	452600	Connector Assembly—Engine No. 4 fan tachometer RH							1	X
42	AN5541-1	Thermocouple							1	X
	L507-7	Lead—Thermocouple							1	X
43	459006	Bracket Assembly—Magneto ground receptacle							1	X
	258669	Bond Assembly—Engine							4	X
44	452314	Connector Assembly—Engine No. 1 starter LH							1	X

Section II
Group Assembly Parts List

RESTRICTED
AN 01-15EAA-4

POWER PLANT GROUP
YB-35 OUTBOARD ENGINES

FIGURE & INDEX NUMBER	PART NUMBER	NOMENCLATURE							UNITS PER ASSEM	USAGE CODE
		1	2	3	4	5	6	7		
	452317	.	.	.	Connector Assembly—Engine No. 4 starter RH				1	X
	552251	.	.	.	Connector Assembly—Engine No. 1 pull box LH				1	X
	552254	.	.	.	Connector Assembly—Engine No. 4 pull box RH				1	X
95 - 47	522250	.	.	.	Box Assembly—Engine pull				2	X
48	V9029185	.	.	.	Adapter—(GE)				1	X
49	CR2992A104A5	.	.	.	Element—Thermosensitive (GE)				1	X
50	CR2992A104A7	.	.	.	Element—Thermosensitive (GE)				1	X
51	AN4102-1	.	.	.	Pump—700 G.P.H. power driven fuel (Type G-10) (GFP)				1	X
52	AN4059-1	.	.	.	Gasket—Fuel pump mounting pad				1	X
53	R222G	.	.	.	Detector—Fire (RVE)				1	X
	AN900-10	.	.	.	Gasket—Copper asbestos annular				1	X
	251088	.	.	.	Adapter—Blower throat fire detector				1	CFGH
54	24F60-344	.	.	.	Propeller—Hamilton standard (GFP)				1	JKU
	24F60-342	.	.	.	Propeller—Hamilton standard (GFP)				4	X
55	5840A-0	.	.	.	Blade—Hamilton standard propeller (GFP)				NP	X
	591901	.	.	.	Induction System Installation—Outboard engine LH				NP	X
	591902	.	.	.	Induction System Installation—Outboard engine RH				1	X
56	291914	.	.	.	Elbow Assembly—Outboard air intake				2	X
57	K6931-2	.	.	.	Connection—(USR)				5	X
58	491136	.	.	.	Reinforcement—Carburetor air intake duct				1	X
59	258484	.	.	.	Reinforcement—Carburetor air intake duct				NP	X
	557639	.	.	.	Thermostat Installation—Carburetor air outboard				1	X
60	46B188	.	.	.	Thermostat assembly—(VCH)				1	X
61	591921	.	.	.	Duct Assembly—Carburetor air intake outboard engine LH				1	X
	591922	.	.	.	Duct Assembly—Carburetor air intake outboard engine RH				5	X
62	458475	.	.	.	Ring—Carburetor air intake outboard engine				2	X
63	K5931-3	.	.	.	Connection—(USR)				1	X
64	591933	.	.	.	Reinforcement Assembly—Carburetor air intake flexible connecting LH				1	X
	591934	.	.	.	Reinforcement Assembly—Carburetor air intake flexible connecting RH				1	X
65	556077	.	.	.	Header Assembly—Plenum chamber outboard LH				1	X
	556077-1	.	.	.	Header Assembly—Plenum chamber outboard RH				1	X
66	591945	.	.	.	Support Assembly—Outboard carburetor air duct LH				1	X
	591946	.	.	.	Support Assembly—Outboard carburetor air duct RH					
67	560902	.	.	.	System Installation—Outboard propeller feathering and gear box oil (For detail breakdown see page 183)				NP	X
68	592001	.	.	.	Propeller Shaft Installation—Outboard LH (For detail breakdown see page 181)				NP	X
	592002	.	.	.	Propeller Shaft Installation—Outboard RH (For detail breakdown see page 181)				NP	X

POWER PLANT GROUP

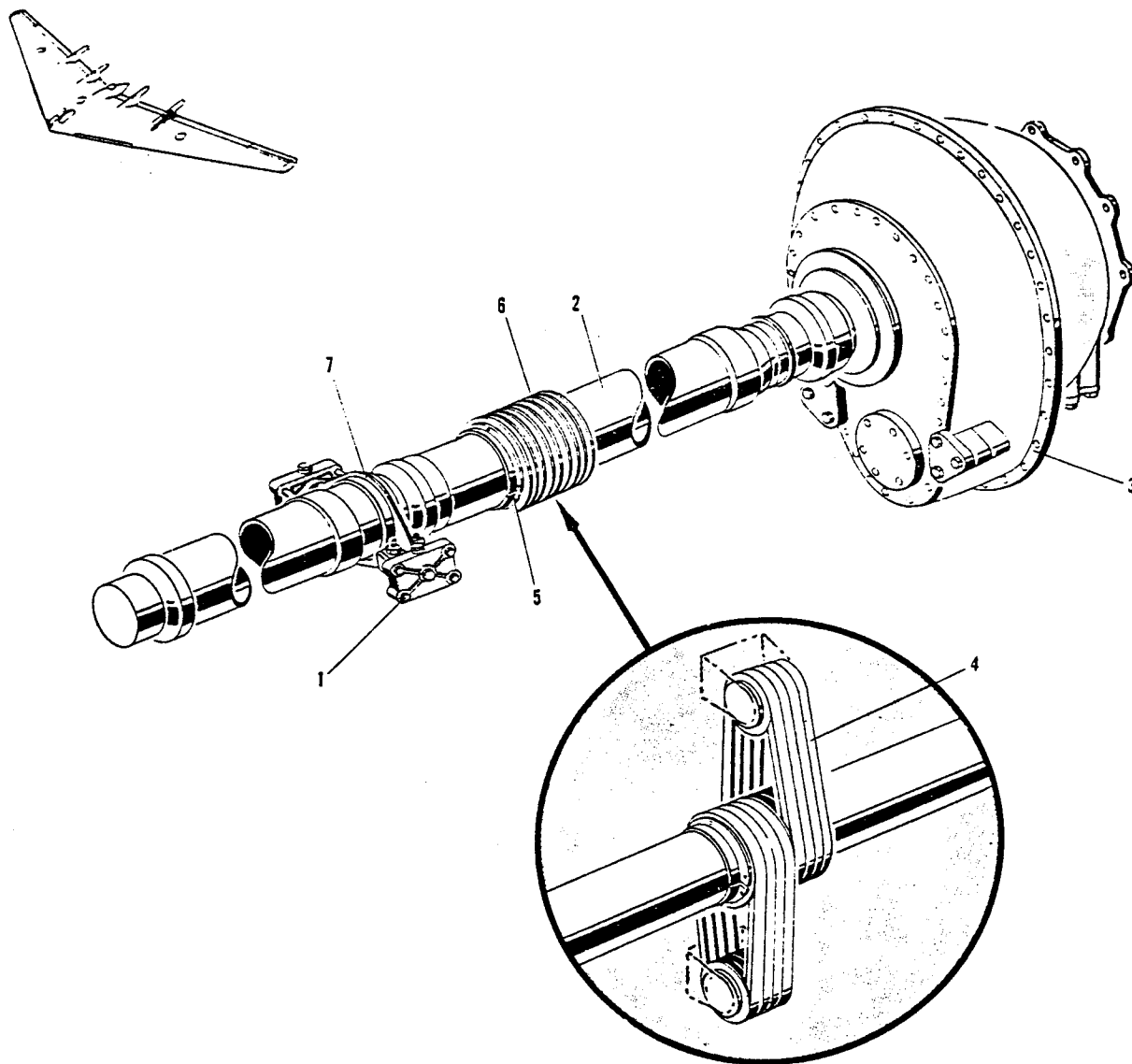


FIGURE 96—YB-35 OUTBOARD PROPELLER SHAFT

YB-35 OUTBOARD PROPELLER SHAFT		NOMENCLATURE							UNITS PER ASSEM	USAGE CODE
FIGURE & INDEX NUMBER	PART NUMBER	1	2	3	4	5	6	7		
	592001	Propeller Shaft Installation—Outboard LH (For next assembly see page 179)							NP	X
	592002	Propeller Shaft Installation—Outboard RH (For next assembly see page 179)							NP	X
96 - 1	461048	. Case Assembly—Propeller shaft bearing support outboard							2	X
2	R85380	. Shaft—Propeller (PW) (GFP)							1	X
3	No Number	. Gear Box—Single rotational (GFP)							1	X
4	B38	. Belt—Vee (GD)							8	X
5	451857	. Ring Assembly—Hydraulic pump drive friction							2	X
6	451852	. Pulley—Hydraulic pump drive friction							1	X
7	492003	. Collar—Bearing mount propeller shaft							2	X

RESTRICTED
AN 01-15EAA-4
POWER PLANT GROUP

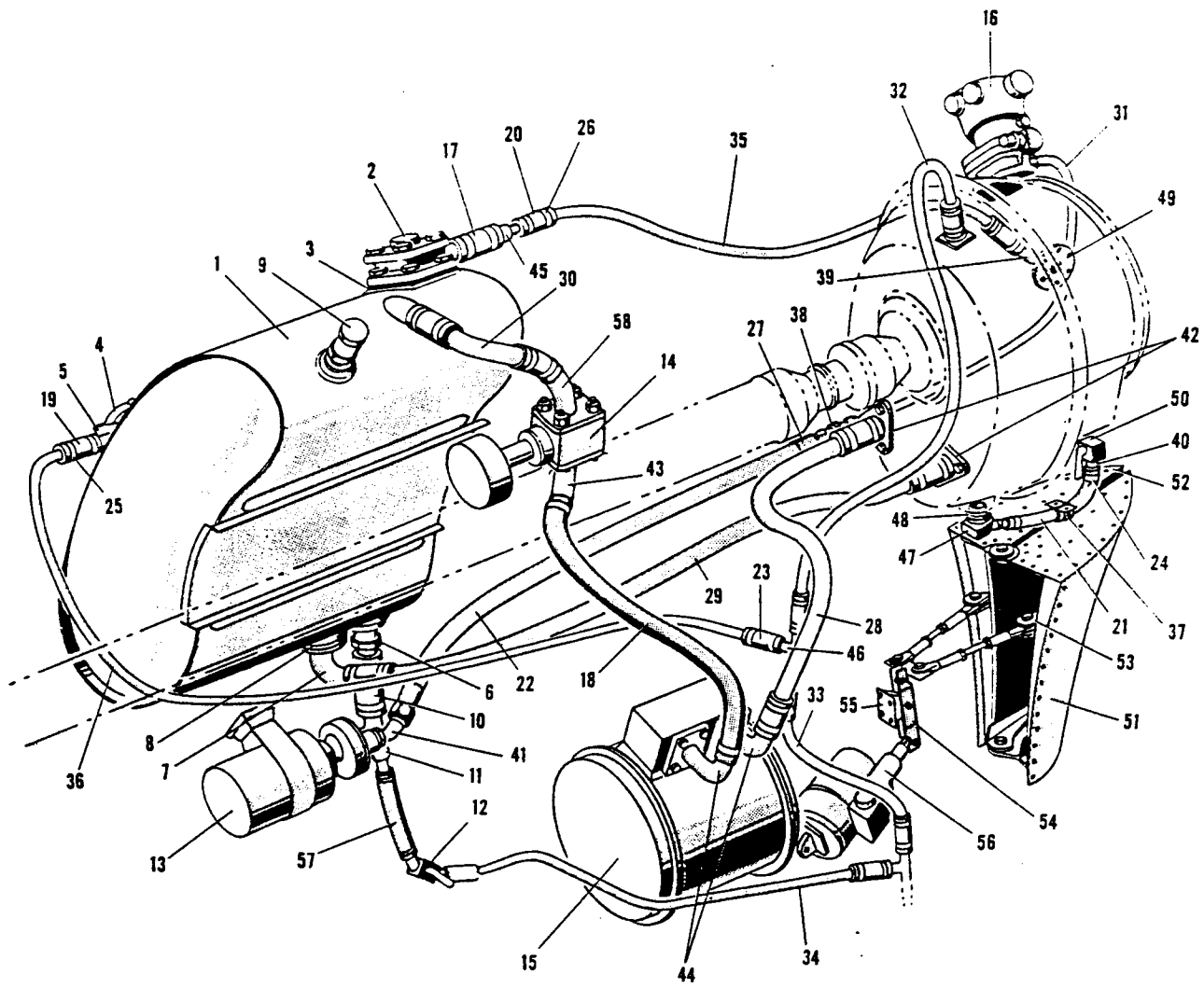
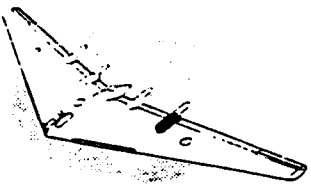


FIGURE 97—OUTBOARD PROPELLER FEATHERING AND GEAR BOX OIL SYSTEM

RESTRICTED

POWER PLANT GROUP
YB-35 OUTBOARD PROPELLER FEATHERING AND GEAR BOX OIL SYSTEM

FIGURE 4
INDEX
NUMBER

PART NUMBER	NOMENCLATURE	UNITS PER ASSEM	USAGE CODE			
				1	2	3
560902	System Installation—Outboard propeller feathering and gear box oil (For next assembly see page 179)	NP	X			
560901	Tank Assembly—Single rotation gear box complete oil	1	X			
561018	Support Assembly—Gear box oil tank	1	X			
AN150-16S	Turnbuckle	4	X			
AN23-10	Bolt—Clevis 10-32	8	X			
AN365-1032	Nut—Self locking	8	X			
97 - 1	Tank Assembly—Single rotation gear box	1	X			
2	Valve—Oil (STANDARD AIRCRAFT PRODUCTS, DAYTON, OHIO)	1	X			
3	Gasket—Oil valve (STANDARD AIRCRAFT PRODUCTS, DAYTON, OHIO)	1	X			
4	Cap and Adapter Assembly	1	X			
5	Scupper Assembly—Gear box oil tank	1	X			
6	Adapter—Hose to pipe thread	1	X			
7	Tube Assembly—Single rotation gear box oil tank	1	X			
8	Gasket—Gear box oil tank outlet	1	X			
9	Valve—Check (PA)	1	X			
10	Hose—Gear box oil system	16	X			
11	Clamp—Hose	1	X			
12	Tee—Propeller feathering oil drain	1	X			
13	Valve—Drain (WTR)	1	X			
14	Pump Assembly—Propeller feathering oil (GFP)	4	X			
15	Bolt—Drilled head	4	X			
16	Washer—Plain	1	X			
17	Thermostat Assembly—(AIR)	1	X			
18	Cooler Assembly—Oil (AIR)	1	X			
19	Governor—Propeller (GFP)	6	X			
20	Hose—Gear box and propeller feathering oil	1	X			
21	Hose—Gear box and propeller feathering oil	1	X			
22	Hose—Gear box and propeller feathering oil	8	X			
23	Hose—Gear box and propeller feathering oil	1	X			
24	Hose—Gear box and propeller feathering oil	1	X			
25	Hose—Gear box and propeller feathering oil	1	X			
26	Hose—Gear box and propeller feathering oil	1	X			
27	Hose—Gear box and propeller feathering oil	1	X			
28	Hose—Gear box and propeller feathering oil	1	X			
29	Hose—Gear box and propeller feathering oil	1	X			
30	Hose—Gear box and propeller feathering oil	1	X			
31	Hose—Gear box and propeller feathering oil	1	X			
32	Hose—Gear box and propeller feathering oil	1	X			
33	Hose—Gear box and propeller feathering oil	1	X			
34	Hose—Gear box and propeller feathering oil	1	X			
35	Hose—Gear box and propeller feathering oil	1	X			
36	Hose—Gear box and propeller feathering oil	1	X			
37	Clip—Loop type tube (AP)	2	X			
10G115	Gasket—Flange	4	X			
10G108	Gasket—Flange	1	X			
AN931-8-13	Grommet—Elastic	1	X			
AN900-3	Gasket—Copper asbestos annular	2	X			
AN900-16	Gasket—Copper asbestos annular	1	X			
AN924-10	Nut—Flared tube universal	1	X			
AN832-10	Union—Flared tube	1	X			
AN842-8	Elbow—Pipe thread hose 90°	2	X			
AN840-4	Adapter—Hose to pipe thread	1	X			
AN931-8-20	Grommet—Elastic	1	X			
AN931-12-17	Grommet—Elastic	1	X			
AN912-7	Bushing—Reducer	2	X			
289017	Fitting Assembly—Gear box oil system	2	X			
289015	Fitting Assembly—Gear box oil system	2	X			
288870	Fitting Assembly—Propeller housing oil system elbow	1	X			
261080	Reducer—Gear box oil tank vent	1	X			
261081	Tee Assembly—Gear box vent drain	1	X			
261085	Fitting—Gear box drain connection	1	X			
256229	Fitting—Gear box drain box	1	X			
261046	Fitting—Gear box vent	1	X			
261084	Clip—Gear box drain hose	1	X			
50	Valve—Drain (WTR)	NP	X			
51	Flap Installation—Outboard gear box cooler air	1	X			
52	Flap Assembly—Outboard gear box cooler air LH	1	X			
53	Flap Assembly—Outboard gear box cooler air RH	1	X			
261029	Bracket—Gear box air flap LH	1	X			
261029-1	Bracket—Gear box air flap RH	1	X			
54	Actuator Installation—Outboard gear box oil cooler flap	NP	X			
55	Fitting Assembly—Outboard gear box oil cooler flap	1	X			
56	Lever Assembly—Outboard gear box oil cooler flap	1	X			
57	Actuator—Flap (AIR)	1	X			
58	Tube—Gear box and propeller feathering oil	1	X			
561233	Fitting Assembly—Inboard oil thermostat					

RESTRICTED
AN 01-15EAA-4
POWER PLANT GROUP

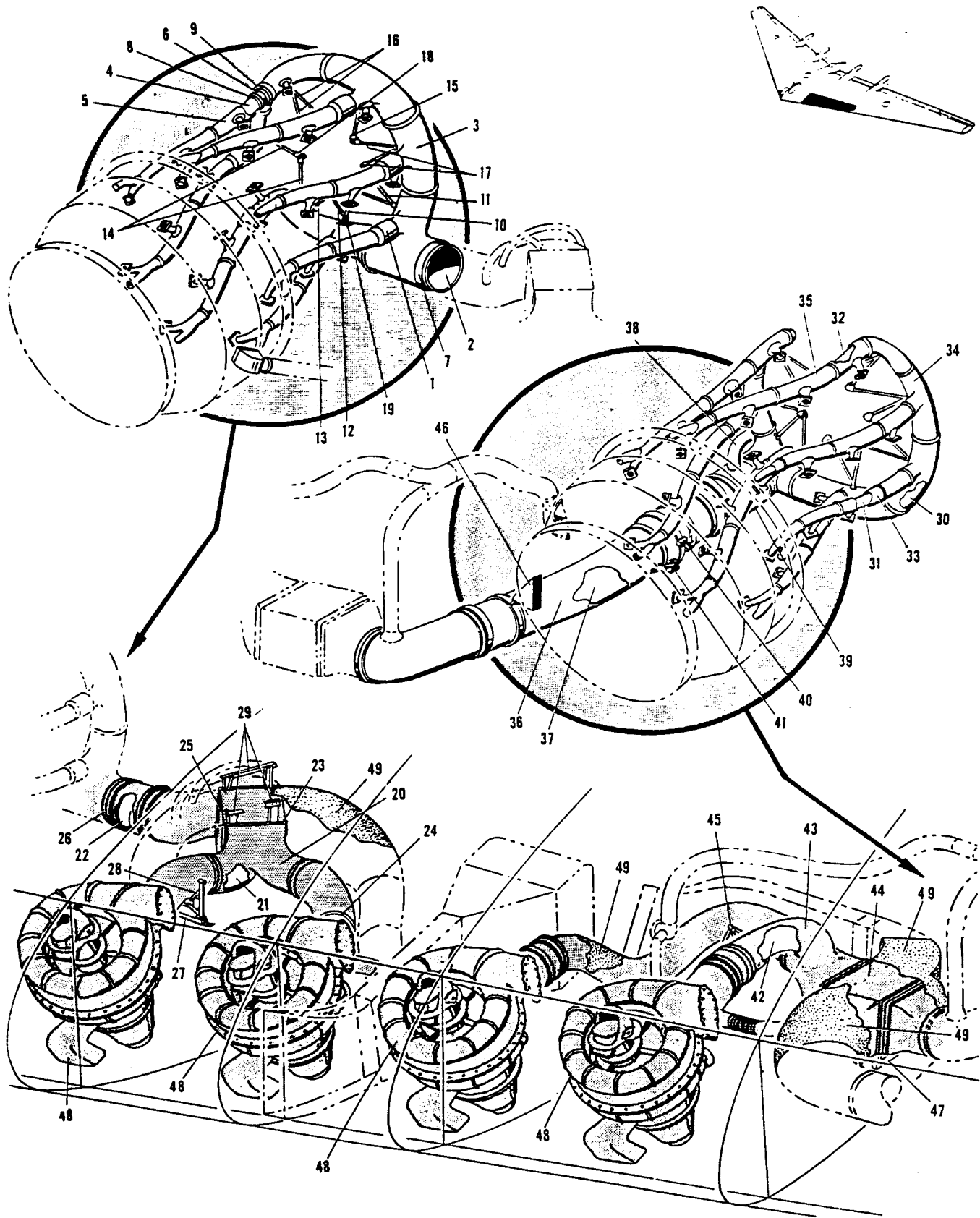


FIGURE 98—YB-35 EXHAUST SYSTEM

RESTRICTED

POWER PLANT GROUP
YB-35 EXHAUST SYSTEM

FIGURE & INDEX NUMBER	PART NUMBER	NOMENCLATURE							UNITS PER ASSEM	USAGE CODE
		1	2	3	4	5	6	7		
	557933	Exhaust System Installation—Complete LH (For next assembly see page 170)							NP	X
	557933-1	Exhaust System Installation—Complete RH (For next assembly see page 170)							NP	X
	590801	Exhaust System Installation—Inboard engine LH							NP	X
	590802	Exhaust System Installation—Inboard engine RH							NP	X
	590801-10	Exhaust Assembly—Inboard engine dropable LH							1	X
	51408	Exhaust Assembly—Inboard engine dropable RH							1	X
	590802-10	Exhaust System Installation—Inboard engine LH (RYA)							NP	X
	51408	Exhaust System Installation—Inboard engine RH (RYA)							NP	X
	51549	Collar Assembly—Shroud connector (RYA)							7	X
98 - 1	51408-2	Collector Ring Assembly—Inboard exchanger LH (RYA)							1	X
2	51063	Collector Ring Assembly—Inboard exchanger RH (RYA)							1	X
	51630	Shroud Assembly—Inboard collector LH (RYA)							1	X
3	51064	Shroud Assembly—Inboard collector RH (RYA)							1	X
	51631	Header Assembly—Inboard (RYA)							7	X
4	51065	Shroud Assembly—Inboard header (RYA)							7	X
5	51066	Collar—Flanged (RYA)							7	X
6	21795-23	Clamp—Adjustable toggle (MAR)							1	X
7	41369-12.063	Clamp Assembly—Packing (RYA)							7	X
8	21036-3-12	Clamp Assembly—Half (RYA)							4	X
9	11016-3-12	Support Assembly—Inboard collector LH (RYA)							1	X
10	21849	Support Assembly—Inboard collector RH (RYA)							1	X
	21857	Support Assembly—Inboard collector LH (RYA)							2	X
11	21850	Support Assembly—Inboard collector No. 3 upper RH (RYA)							1	X
	21858	Support Assembly—Inboard collector LH (RYA)							1	X
12	21851	Support Assembly—Inboard collector RH (RYA)							1	X
	21859	Support Assembly—Inboard collector (RYA)							2	X
13	21852	Support Assembly—Inboard collector (RYA)							2	X
14	21853	Support Assembly—Inboard collector (RYA)							2	X
15	21854	Support Assembly—Inboard collector (RYA)							2	X
16	21855	Support Assembly—Inboard collector (RYA)							2	X
17	21856	Support Assembly—Inboard collector No. 3 lower RH (RYA)							1	X
	21860	Extension—Collector support 3 8-24 stud (RYA)							7	X
18	11832-22	Bracket Assembly—Inboard collector (RYA)							7	X
19	11395	Exhaust Assembly—Inboard engine fixed LH							1	X
	590801-20	Exhaust Assembly—Inboard engine fixed RH							1	X
	590802-20	Exhaust System Installation—Inboard plenum chamber exchanger LH (RYA)							NP	X
	51551	Exhaust System Installation—Inboard plenum chamber exchanger RH (RYA)							NP	X
	51551-1	Shroud Assembly—Inboard plenum chamber LH (RYA)							1	X
20	51433	Shroud Assembly—Inboard plenum chamber RH (RYA)							1	X
	51433-1	Exhaust System—Inboard plenum chamber LH (RYA)							1	X
21	51595	Exhaust System—Inboard plenum chamber RH (RYA)							1	X
	51595-1	Joint Assembly—Exhaust system (RYA)							1	X
22	31362	Support—Heat exchanger inlet and outlet shroud (RYA)							4	X
23	21649	Support—Turbo inlet shroud (RYA)							4	X
24	21723	Exchanger—Inboard engine exhaust heat							1	X
	590801-601	Exchanger—Heat (SW)							1	X
25	EX68077AA	Seal Installation—Wing sta 188.50 exhaust shroud LH							NP	X
	558911	Seal Installation—Wing sta 188.50 exhaust shroud RH							NP	X
	558911-1	Seal Assembly—Wing sta 188.50 exhaust shroud							2	X
26	558911-10	Support Installation—Inboard exhaust pipe LH							NP	X
	590823	Support Installation—Inboard exhaust pipe RH							NP	X
	590824	Support Assembly—Inboard exhaust pipe LH							1	X
27	590823-20	Support Assembly—Inboard exhaust pipe RH							1	X
	590824-20	Seal Assembly—Inboard exhaust pipe							2	X
	590823-10	Support Assembly—Inboard heat exchanger LH							1	X
28	556044	Support Assembly—Inboard heat exchanger RH							1	X
29	556044-1	Exhaust System Installation—Outboard engine LH							NP	X
	591601	Exhaust System Installation—Outboard engine RH							NP	X
	591602	Exhaust Assembly—Outboard engine dropable LH							1	X
	591601-10	Exhaust Assembly—Outboard engine dropable RH							1	X
	591602-10	Exhaust System Installation—Outboard engine LH (RYA)							NP	X
	51422	Exhaust System Installation—Outboard engine RH (RYA)							NP	X
	51550	Collector Assembly—Outboard engine exhaust LH (RYA)							1	X
30	51094	Collector Assembly—Outboard engine exhaust RH (RYA)							1	X
	51490	Header Assembly—Outboard engine exhaust (RYA)							8	X
31	51026	Header Assembly—Outboard engine exhaust (RYA)							5	X
32	51055	Header Assembly—Outboard engine exhaust RH (RYA)							1	X
	51489	Shroud Assembly—Outboard engine exhaust (RYA)							8	X
33	51076	Shroud Assembly—Outboard engine exhaust LH (RYA)							1	X
34	51091	Shroud Assembly—Outboard engine exhaust RH (RYA)							1	X
	51575	Shroud Assembly—Outboard engine exhaust (RYA)							5	X
35	51092	Shroud Assembly—Outboard engine exhaust RH (RYA)							1	X
	51622	Shroud Assembly—Outboard tail pipe LH (RYA)							1	X
36	51093	Shroud Assembly—Outboard tail pipe RH (RYA)							1	X
	51093-1	Pipe Assembly—Outboard tail LH (RYA)							1	X
37	51014	Pipe Assembly—Outboard tail RH (RYA)							1	X
	51014-1	Duct Assembly—Hot air LH (RYA)							1	X
38	51703	Duct Assembly—Hot air RH (RYA)							1	X
	51703-1	Clamp Assembly—Outboard tail pipe shroud duct (RYA)							2	X
39	31178-3	Support Assembly—Tail pipe upper							2	X
40	291616	Support Assembly—Tail pipe lower LH							1	X
41	291617	Support Assembly—Tail pipe lower RH							1	X
	291618	Exhaust Assembly—Outboard engine fixed LH							1	X
	591601-20	Exhaust Assembly—Outboard engine fixed RH							1	X
	591602-20									

Section II
Group Assembly Parts List

RESTRICTED
AN 01-15EAA-4

POWER PLANT GROUP
YB-35 EXHAUST SYSTEM

FIGURE & INDEX NUMBER	PART NUMBER	NOMENCLATURE							UNITS PER ASSEM	USAGE CODE
		1	2	3	4	5	6	7		
	51552	NP	X
	51552-1	NP	X
98 - 42	51535	1	X
	51535-1	1	X
43	51558	1	X
	51558-1	1	X
	591601-601	1	X
44	EX68077AA	NP	X
	558442	NP	X
	558442-1	1	X
45	558442-4	1	X
	558442-5	1	X
46	591623	NP	X
	591624	NP	X
47	591627	NP	X
	591628	NP	X
48	592101	NP	X
	592101	NP	X
49	558225	NP	X
	558225-1	NP	X

RESTRICTED

POWER PLANT GROUP
YB-35 PLENUM CHAMBER

FIGURE & INDEX NUMBER	PART NUMBER	NOMENCLATURE	UNITS PER ASSEM	USAGE CODE
		1 2 3 4 5 6 7		
	592101	Plenum Chamber Installation—Left hand (For next assembly see page 185)	NP	X
	592102	Plenum Chamber Installation—Right hand (For next assembly see page 185)	NP	X
	591703	Shroud Installation and Assembly—Flight hook LH	NP	X
	591704	Shroud Installation and Assembly—Flight hook RH	NP	X
	591703-40	Shroud Installation—Flight hood turbo No. 1 and No. 8 LH	NP	X
	591704-40	Shroud Installation—Flight hood turbo No. 1 and No. 8 RH	NP	X
	591703-50	Shroud Installation—Flight hood turbo No. 2 and No. 7 LH	NP	X
	591704-50	Shroud Installation—Flight hood turbo No. 2 and No. 7 RH	NP	X
	591703-60	Shroud Installation—Flight hood turbo No. 3 and No. 6 LH	NP	X
	591704-60	Shroud Installation—Flight hood turbo No. 3 and No. 6 RH	NP	X
	591703-70	Shroud Installation—Flight hood turbo No. 4 and No. 5 LH	NP	X
	591704-70	Shroud Installation—Flight hood turbo No. 4 and No. 5 RH	NP	X
99 - 1	591703-80	Shroud Assembly—Flight hood LH	1	X
	591704-80	Shroud Assembly—Flight hood RH	1	X
	491705	Ring Assembly—Flight hood supercharger	2	X
2	491705	Ring Assembly—Flight hood supercharger	2	X
3	592201	Turbo Installation—Plenum chamber LH (For detail breakdown see page 190)	NP	X
	592202	Turbo Installation—Plenum chamber RH (For detail breakdown see page 190)	NP	X
	592209	Ducts Installation—Inboard turbo ground cooling LH	NP	X
	592210	Ducts Installation—Inboard turbo ground cooling RH	NP	X
	492243	Duct Assembly—3-way inboard turbo ground cooling LH	1	X
4	K7137-20	Duct—(USR)	1	X
	577359	Duct Installation—Inboard tail pipe cooling LH	NP	X
	577360	Duct Installation—Inboard tail pipe cooling RH	NP	X
	S65929B	Duct—(CME)	1	X
5	S65929B	Duct—(CME)	1	X
6	S65937B	Duct—(CME)	1	X
7	3625S2-000W	Clamp—(MAR)	4	X
	559460	Duct Assembly—No. 4 turbo ground cooling	1	X
	492286	Duct Assembly—No. 5 turbo ground cooling	1	X
	3201480	Duct—No. 5 turbo (ARW)	1	X
	3201530	Duct—(ARW)	1	X
8	3201620-1	Duct—(ARW) LH	1	X
	3201570	Duct—(ARW) RH	1	X
	3201590	Duct—(ARW) RH	1	X
9	492218	Elbow Assembly—Turbo shroud cooling duct	1	X
10	259426-2	Coupling—Turbo cooling air flexible LH	1	X
	259426-4	Coupling—Turbo cooling air flexible LH	2	X
	259426-6	Coupling—Turbo cooling air flexible LH	1	X
	459489	Tube Assembly—Turbo cooling cap inlet LH	1	X
	459489-1	Tube Assembly—Turbo cooling cap inlet RH	1	X
	557145-2	Valve Assembly—Inboard engine ground cooling duct LH	1	X
	557145-4	Valve Assembly—Inboard engine ground cooling duct RH	1	X
11	28028	Actuator—(AIR)	1	X
	257358	Pin—Inboard engine cooling valve actuator	2	X
12	557146-38	Housing Assembly—Inboard engine valve actuator LH	1	X
	557146-48	Housing Assembly—Inboard engine valve actuator RH	1	X
	257149	Link Assembly—Inboard engine valve actuator lower	1	X
	257150	Link Assembly—Inboard engine valve actuator upper	1	X
	257391	Fork Assembly—Inboard engine valve actuator lower	1	X
13	561136	Elbow Assembly—Inboard shroud overboard air duct	1	X
	561137	Duct Assembly—Inboard shroud overboard air	3	X
	3625D2-125W	Clamp—(MAR)	2	X
	3625D3-875W	Clamp—(MAR)	2	X
	3625S5-125W	Clamp—(MAR)	1	X
	3625D4-375W	Clamp—(MAR)	5	X
	3625D5-625W	Clamp—(MAR)	4	X
	3625D6-125W	Clamp—(MAR)	1	X
	20245	Clamp Assembly—(MAR)	4	X
	R2S1032	Nut—(BOT)	NP	X
	592207	Ducts Installation—Outboard turbo ground cooling LH	NP	X
	592212	Ducts Installation—Outboard turbo ground cooling RH	1	X
14	492217	Elbow Assembly—Turbo No. 1 outboard ground cooling LH	1	X
	492289	Elbow Assembly—Turbo No. 8 outboard ground cooling RH	1	X
15	492218	Elbow Assembly—Turbo shroud cooling duct	1	X
16	592200	Adapter Assembly—Rib sta 281.5 turbo No. 2 ground cooling LH	1	X
	592285	Adapter Assembly—Rib sta 281.5 turbo No. 7 ground cooling RH	1	X
17	560156	Connector Assembly—Turbo shroud cooling duct LH	2	X
	459489	Tube Assembly—Turbo cooling cap inlet LH	1	X
	459489-1	Tube Assembly—Turbo cooling cap inlet RH	1	X
	292248	Tube Assembly—Turbo cooling cap inlet RH	1	X
18	3201610	Duct—(ARW) LH	1	X
	3201610-2	Duct—(ARW) LH	1	X
	3201650	Duct—(ARW) LH	1	X
	3201520	Duct—(ARW) LH	2	X
19	S62897B	Duct—(CME)	1	X
	492290	Duct Assembly—Turbo No. 8 ground cooling RH	1	X
	3201580	Duct—(ARW)	1	X
20	561152	Elbow Assembly—Outboard shroud overboard air duct	1	X
	3201600	Duct—(ARW) RH	1	X
	3201560	Duct—(ARW) RH	3	X
	3625SS5-000W	Clamp—(MAR)	2	X
	3625D4-250W	Clamp—(MAR)	2	X
	3625D5-500W	Clamp—(MAR)	2	X
	3625D2-000W	Clamp—(MAR)	1	X
	3625D3-750W	Clamp—(MAR)	4	X
	R2S1032	Nut—(BOT)	1	X
21	561135	Duct Assembly—Outboard shroud overboard LH	1	X
	561135-1	Duct Assembly—Outboard shroud overboard RH	1	X
22	556623	Intercooler Installation LH (For detail breakdown see page 191)	NP	X
	556623-1	Intercooler Installation RH (For detail breakdown see page 191)	NP	X

POWER PLANT GROUP

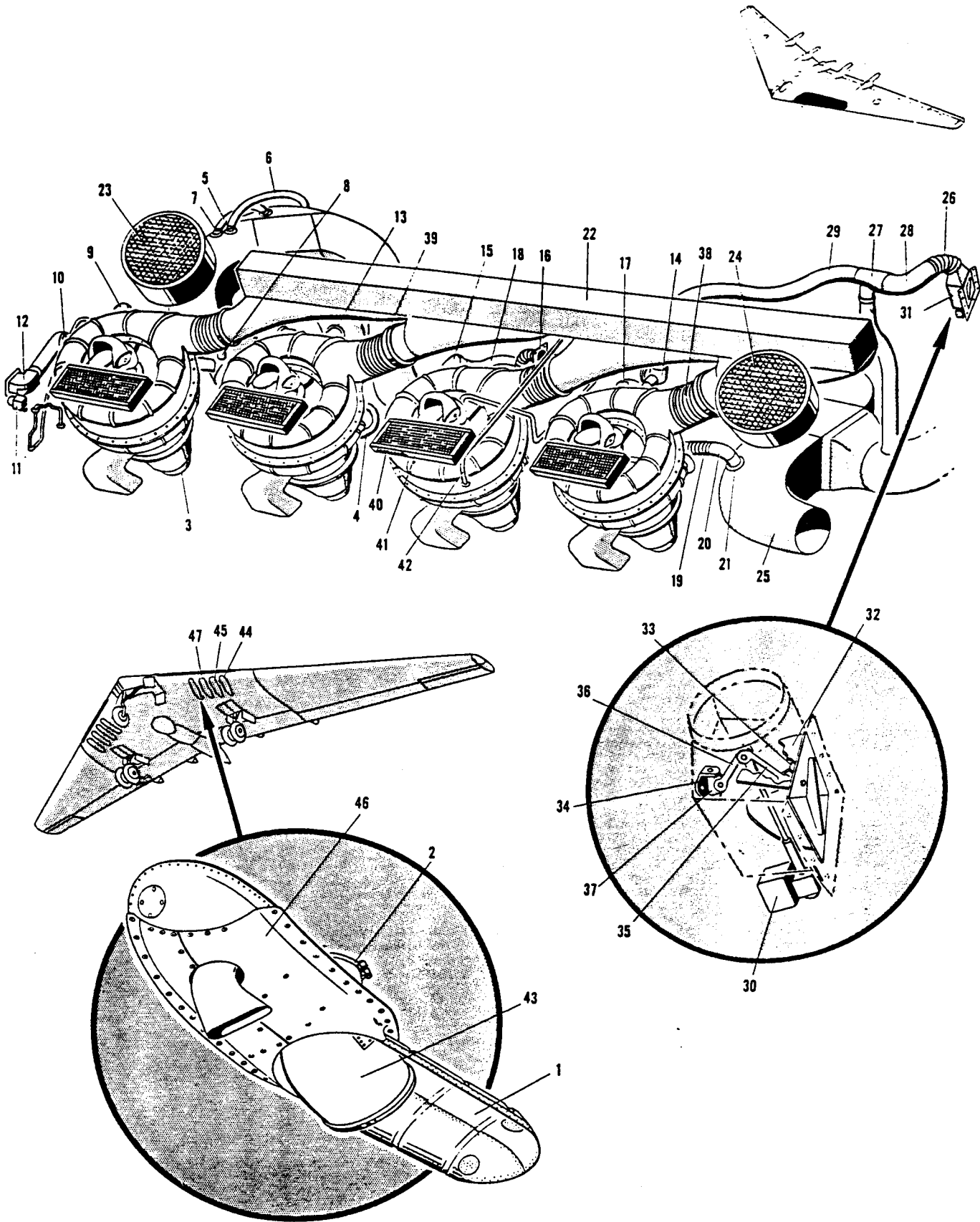


FIGURE 99—YB-35 PLENUM CHAMBER

RESTRICTED

POWER PLANT GROUP
YB-35 PLENUM CHAMBER

FIGURE & INDEX NUMBER	PART NUMBER	NOMENCLATURE							UNITS PER ASSEM	USAGE CODE
		1	2	3	4	5	6	7		
99 - 23	592301	Oil Cooler Installation—Inboard LH (For detail breakdown see page 192)							NP	X
	592302	Oil Cooler Installation—Inboard RH (For detail breakdown see page 192)							NP	X
24	592303	Oil Cooler Installation—Outboard LH (For detail breakdown see page 192)							NP	X
	592304	Oil Cooler Installation—Outboard RH (For detail breakdown see page 192)							NP	X
25	592501	De-icing System Installation—Left hand (For detail breakdown see page 193)							NP	X
	592502	De-icing System Installation—Right hand (For detail breakdown see page 193)							NP	X
	592113	Duct Installation—Outboard ground cooling LH							NP	X
	592114	Duct Installation—Outboard ground cooling RH							NP	X
26	259426-10	Coupling—Turbo cooling air flex						2	X	
	259426-8	Coupling—Turbo cooling air flex						2	X	
27	558987	Duct Assembly—Outboard ground cooling tee LH						1	X	
	558987-1	Duct Assembly—Outboard ground cooling tee RH						1	X	
28	558988	Duct Assembly—Outboard ground cooling elbow LH						1	X	
	558988-1	Duct Assembly—Outboard ground cooling elbow RH						1	X	
29	48077	Duct—(USR)						2	X	
	557132	Valve Assembly—Outboard ground cooling duct LH						1	X	
30	557247	Valve Assembly—Outboard ground cooling duct RH						1	X	
	27091	Actuator—(AIR)						2	X	
31	557133	Housing Assembly—Outboard ground cooling LH						1	X	
	557248	Housing Assembly—Outboard ground cooling RH						1	X	
32	557134	Flap Assembly—Outboard ground cooling duct LH						1	X	
	557500	Flap Assembly—Outboard ground cooling duct RH						1	X	
33	457135	Bracket—Outboard ground cooling to engine shroud valve flap						2	X	
	457139	Bracket—Outboard ground cooling to engine shroud valve housing LH						1	X	
34	457148	Bracket—Outboard ground cooling duct to engine shroud valve housing RH						1	X	
	457140	Bracket—Outboard ground cooling duct to engine valve LH						1	X	
35	457832	Bracket—Outboard ground cooling duct to engine valve RH						1	X	
	257136	Link Assembly—Outboard ground cooling duct valve operating mechanism offset LH						1	X	
36	257137	Link Assembly—Outboard ground cooling duct valve operating mechanism short LH						1	X	
	257151	Link Assembly—Outboard ground cooling duct valve operating mechanism short RH						1	X	
37	257152	Link Assembly—Outboard ground cooling duct valve operating mechanism long RH						1	X	
	257138	Swivel—Outboard ground cooling duct to engine valve operating mechanism						2	X	
38	558933	Duct Assembly—Turbo to intercooler inboard LH						1	X	
	558931	Duct Assembly—Turbo to intercooler inboard RH						1	X	
39	558932	Duct Assembly—Turbo to intercooler outboard LH						1	X	
	558930	Duct Assembly—Turbo to intercooler outboard RH						1	X	
40	6593R	Joint—Expansion (FS)						2	X	
	559351	Connection Assembly—Turbo air discharge supercharger flexible						6	X	
41	491942	Valve Assembly—Turbo to intercooler duct						4	X	
	592117	Filter Installation—Wing sta 222.063 at leading edge spar air LH						NP	X	
42	592118	Filter Installation—Wing sta 222.063 at leading edge spar air RH						NP	X	
	592119	Filter Installation—Wing sta 222.063 to 258.717 at leading edge spar air LH						NP	X	
43	592120	Filter Installation—Wing sta 222.063 to 258.717 at leading edge spar air RH						NP	X	
	592121	Filter Installation—Wing sta 258.717 to 293.812 at leading edge spar air LH						NP	X	
44	592122	Filter Installation—Wing sta 258.717 to 293.812 at leading edge spar air RH						NP	X	
	592123	Filter Installation—Wing sta 293.812 to 328.25 at leading edge spar air LH						NP	X	
45	592124	Filter Installation—Wing sta 293.812 to 328.25 at leading edge spar air RH						NP	X	
	56-1467-1	Filter—Air (AFS) LH						4	X	
46	56-1467-2	Filter—Air (AFS) RH						4	X	
	56-1467-3	Filter—Air (AFS) LH						4	X	
47	56-1467-4	Filter—Air (AFS) RH						4	X	
	590089	Piping Installation—Turbo pre-heat valve sensing LH						NP	X	
48	590090	Piping Installation—Turbo pre-heat valve sensing RH						NP	X	
	590089-10	Piping Assembly—Turbo pre-heat valve sensing LH						1	X	
49	590090-20	Piping Assembly—Turbo pre-heat valve sensing RH						1	X	
	591625	Hood Installation—Flight LH						NP	X	
50	591626	Hood Installation—Flight RH						NP	X	
	591625-10	Hood Assembly—Flight LH						4	X	
51	591626-10	Hood Assembly—Flight RH						4	X	
	591635-80	Fairing Installation—Wing sta 308 flight hood LH						NP	X	
52	591636-80	Fairing Installation—Wing sta 308 flight hood RH						NP	X	
	591637	Fairing Installation—Wing sta 273.171 flight hood LH						NP	X	
53	591638	Fairing Installation—Wing sta 273.171 flight hood RH						NP	X	
	591639	Fairing Installation—Wing sta 203.513 flight hood LH						NP	X	
54	591640	Fairing Installation—Wing sta 203.513 flight hood RH						NP	X	
	591641	Fairing Installation—Wing sta 238.342 flight hood LH						NP	X	
55	591642	Fairing Installation—Wing sta 238.342 flight hood RH						NP	X	
	555436	Baffle Installation—Plenum chamber sta 188.5 to 222.063 upper forward LH						NP	X	
56	555436-1	Baffle Installation—Plenum chamber sta 188.5 to 222.063 upper forward RH						NP	X	
	555933	Baffle Installation—Plenum chamber sta 188.5 to 222.063 upper aft LH						NP	X	
57	555933-1	Baffle Installation—Plenum chamber sta 188.5 to 222.063 upper aft RH						NP	X	
	592131	Baffle Installation—Rib sta 188.5 to 215.5 lower LH						NP	X	
58	592132	Baffle Installation—Rib sta 188.5 to 215.5 lower RH						NP	X	
	555437	Baffle Installation—Plenum chamber sta 215.5 to 258.717 upper forward LH						NP	X	
59	555437-1	Baffle Installation—Plenum chamber sta 215.5 to 258.717 upper forward RH						NP	X	
	592129	Baffle Installation—Rib sta 215.5 to 246.592 lower LH						NP	X	
60	592130	Baffle Installation—Rib sta 215.5 to 246.592 lower RH						NP	X	
	555438	Baffle Installation—Plenum chamber sta 246.492 to 293.813 upper LH						NP	X	
61	555438-1	Baffle Installation—Plenum chamber sta 246.492 to 293.813 upper RH						NP	X	
	592127	Baffle Installation—Rib sta 246.492 to 281.5 lower LH						NP	X	
62	592128	Baffle Installation—Rib sta 246.492 to 281.5 lower RH						NP	X	
	555439	Baffle Installation—Plenum chamber sta 281.5 to 338 upper LH						NP	X	
63	555439-1	Baffle Installation—Plenum chamber sta 281.5 to 338 upper RH						NP	X	
	592125	Baffle Installation—Rib sta 281.5 to 338 lower LH						NP	X	
64	592126	Baffle Installation—Rib sta 281.5 to 338 lower RH						NP	X	
	592051	Baffle Installation—Filter LH						NP	X	
65	592052	Baffle Installation—Filter RH						NP	X	
	556123	Baffle Installation—Inboard oil cooler to intercooler LH						NP	X	
66	556123-1	Baffle Installation—Inboard oil cooler to intercooler RH						NP	X	

POWER PLANT GROUP

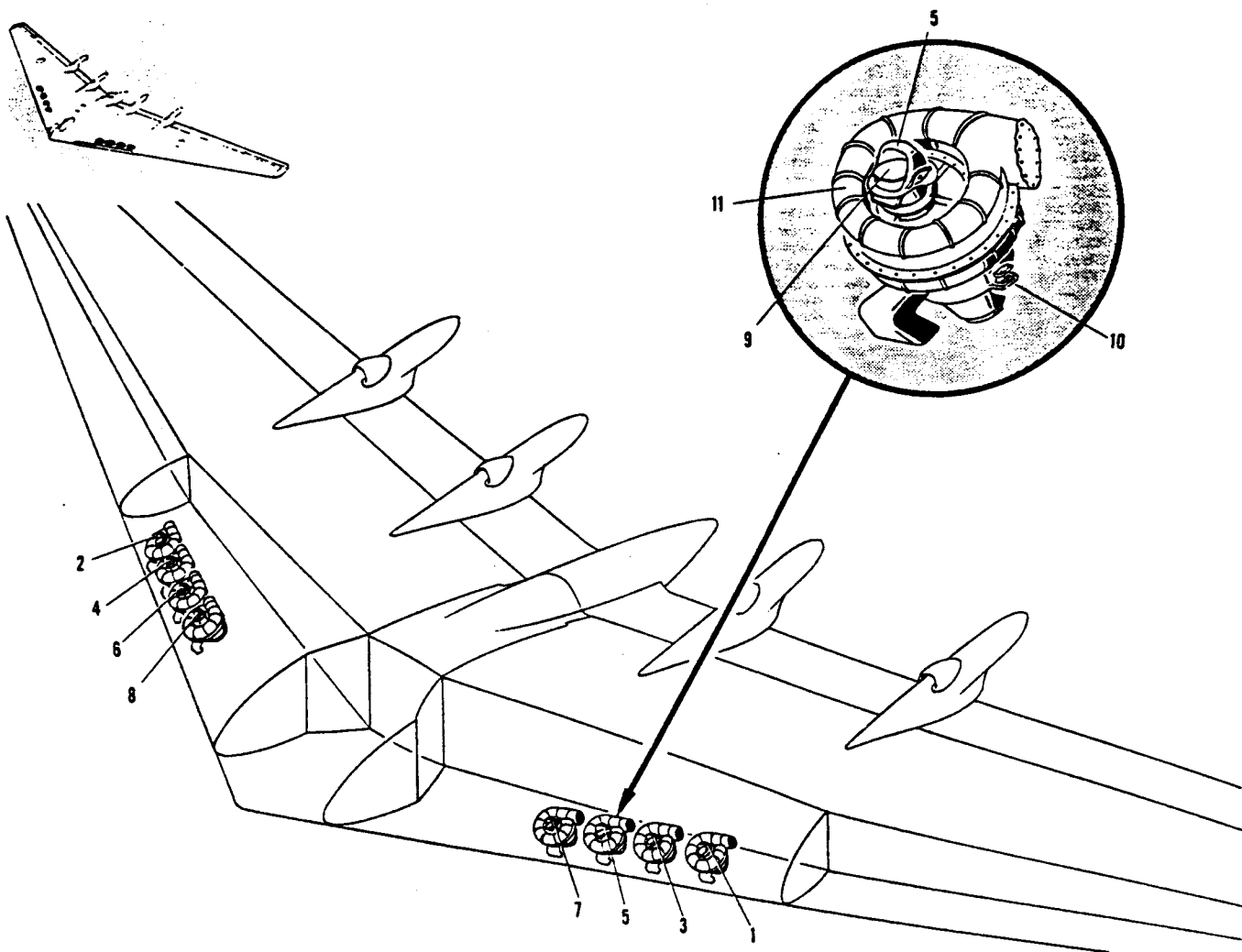


FIGURE 100—YB-35 PLENUM CHAMBER TURBO

YB-35 PLENUM CHAMBER TURBO

FIGURE & INDEX NUMBER	PART NUMBER	1	2	3	4	5	6	7	NOMENCLATURE	UNITS PER ASSEM	USAGE CODE
	592201								Turbo Installation—Plenum chamber LH (For next assembly see page 187)	NP	X
	592202								Turbo Installation—Plenum chamber RH (For next assembly see page 187)	NP	X
	592269								Scoop Installation—Turbo air intake turbo No. 1 LH	1	X
100 - 1	592269-10								Scoop Assembly—Turbo air intake turbo No. 1 LH	1	X
	192231								Valve—Turbo air intake	NP	X
	592270								Scoop Installation—Turbo air intake turbo No. 8 RH	1	X
2	592270-10								Scoop Assembly—Turbo air intake turbo No. 8 RH	1	X
	192231								Valve—Turbo air intake	NP	X
	592271								Scoop Installation—Turbo air intake turbo No. 2 LH	1	X
3	592271-10								Scoop Assembly—Turbo air intake turbo No. 2 LH	1	X
	152231								Valve—Turbo air intake	NP	X
	592272								Scoop Installation—Turbo air intake turbo No. 7 RH	1	X
4	592272-10								Scoop Assembly—Turbo air intake turbo No. 7 RH	1	X
	192231								Valve—Turbo air intake	NP	X
	592273								Scoop Installation—Turbo air intake turbo No. 3 LH	1	X
5	592273-10								Scoop Assembly—Turbo air intake turbo No. 3 LH	1	X
	192231								Valve—Turbo air intake	NP	X
	592274								Scoop Installation—Turbo air intake turbo No. 6 RH	1	X
6	592274-10								Scoop Assembly—Turbo air intake turbo No. 6 RH	1	X
	192231								Valve—Turbo air intake	NP	X
	592275								Scoop Installation—Turbo air intake turbo No. 4 LH	1	X
7	592275-10								Scoop Assembly—Turbo air intake turbo No. 4 LH	1	X
	192231								Valve—Turbo air intake	NP	X
	592276								Scoop Installation—Turbo air intake turbo No. 5 RH	1	X
8	592276-10								Scoop Assembly—Turbo air intake turbo No. 5 RH	1	X
9	192231								Valve—Turbo air intake	1	X
10	196753								Plug—Turbo mount fitting	8	X
11	P8464378								Turbo—Type BH-1 (GFP)	8	X

POWER PLANT GROUP

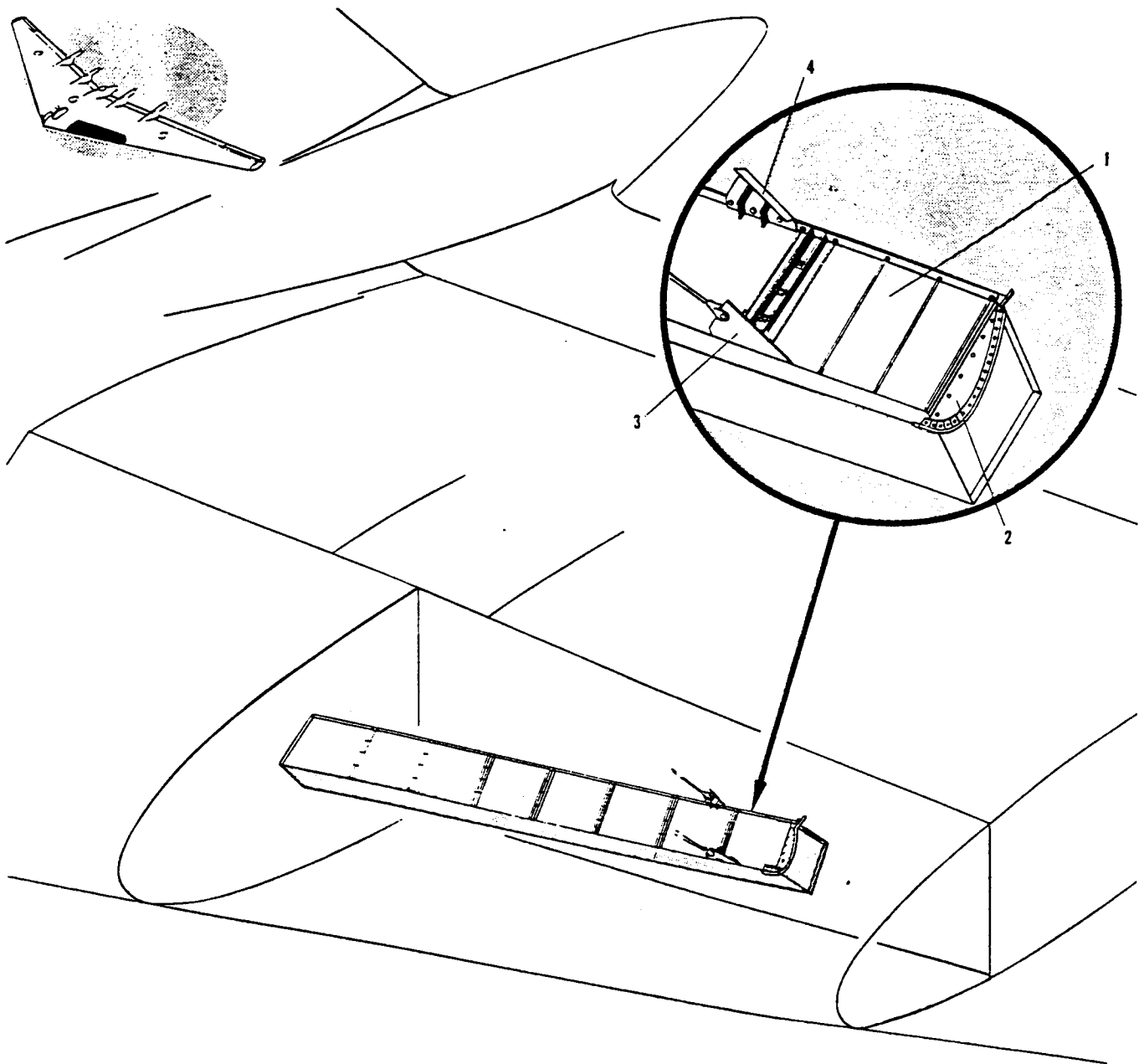


FIGURE 101—YB-35 INTERCOOLER

YB-35 INTERCOOLER		NOMENCLATURE							UNITS PER ASSEM	USAGE CODE
FIGURE & INDEX NUMBER	PART NUMBER	1	2	3	4	5	6	7		
	556623	Intercooler Installation—Left hand (For next assembly see page 187)							NP	X
	556623-1	Intercooler Installation—Right hand (For next assembly see page 187)							NP	X
101 - 1	19474	• Intercooler Assembly—(AIR)							4	X
2	556556	• Seal Installation—Intercooler LH							NP	X
	556556-1	• Seal Installation—Intercooler RH							NP	X
3	257169	• Support Assembly—Intercooler lower forward LH							1	X
	257169-1	• Support Assembly—Intercooler lower forward RH							1	X
4	257170	• Support Assembly—Intercooler lower aft LH							1	X
	257170-1	• Support Assembly—Intercooler lower aft RH							1	X

POWER PLANT GROUP

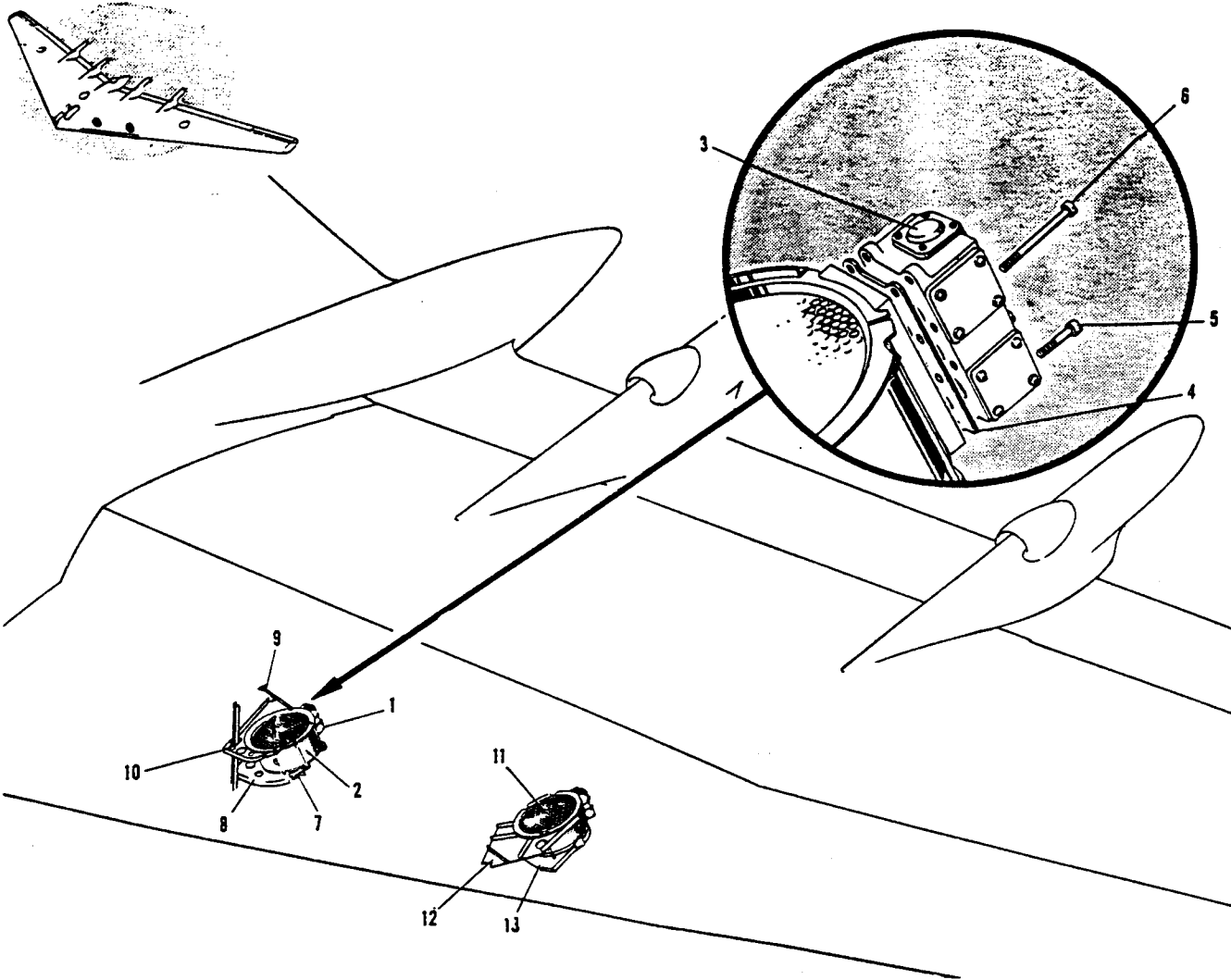


FIGURE 102—YB-35 INBOARD AND OUTBOARD OIL COOLERS

YB-35 INBOARD AND OUTBOARD OIL COOLERS

FIGURE & INDEX NUMBER	PART NUMBER	NOMENCLATURE	UNITS PER ASSEM	USAGE CODE
		1 2 3 4 5 6 7		
		YB-35 Inboard and Outboard Oil Coolers		
	592301	Oil Cooler Installation—Inboard LH (For next assembly see page 187)	NP	X
	592302	Oil Cooler Installation—Inboard RH (For next assembly see page 187)	NP	X
102 - 1	18695	Cooler Assembly—Engine oil (AIR)	1	X
2	18521	Cooler—Oil (AIR)	2	X
3	17589-2	Valve—(AIR)	2	X
4	16844	Gasket—(AIR)	8	X
5	2A5754-16	Screw—(AIR)	8	X
6	2A5754-49	Screw—(AIR)	NP	X
7	592161	Support Installation—Inboard oil cooler lower LH	NP	X
	592162	Support Installation—Inboard oil cooler lower RH	1	X
8	592161-40	Support Assembly—Inboard oil cooler lower LH	1	X
	592162-40	Support Assembly—Inboard oil cooler lower RH	2	X
9	492352-10	Rod Assembly—Inboard oil cooler support	2	X
	492352-20	Rod Assembly—Inboard oil cooler support	REF	X
10	592153	Support Installation—Inboard oil cooler upper LH	NP	X
	592154	Support Installation—Inboard oil cooler upper RH	NP	X
	592303	Oil Cooler Installation—Outboard LH	NP	X
	592304	Oil Cooler Installation—Outboard RH	1	X
11	18695	Cooler Assembly—Engine oil (AIR)	NP	X
	592355	Support Installation—Outboard oil cooler upper LH	NP	X
	592356	Support Installation—Outboard oil cooler upper RH	1	X
12	592355-30	Support Assembly—Outboard oil cooler upper LH	1	X
	592356-30	Support Assembly—Outboard oil cooler upper RH	NP	X
13	592357	Support Installation—Outboard oil cooler lower LH	NP	X
	592358	Support Installation—Outboard oil cooler lower RH		

POWER PLANT GROUP

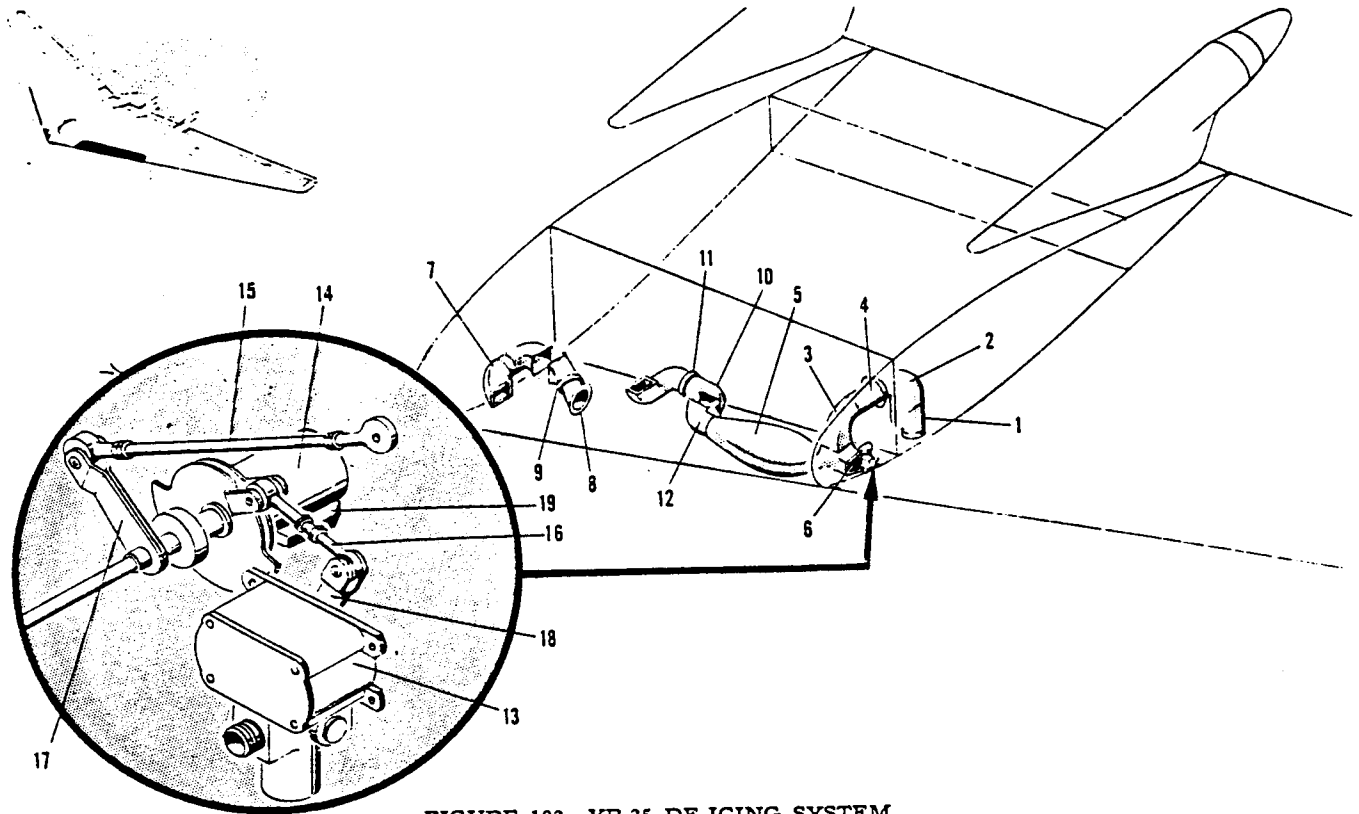


FIGURE 103—YB-35 DE-ICING SYSTEM

YB-35 DE-ICING SYSTEM

FIGURE & INDEX NUMBER	PART NUMBER	NOMENCLATURE	UNITS PER ASSEM							USAGE CODE	
			1	2	3	4	5	6	7		
103 - 1	592501	De-Icing System Installation—Left hand (For next assembly see page 187)								NP	X
	592502	De-Icing System Installation—Right hand (For next assembly see page 187)								NP	X
	592505	Duct Installation—Sta 400 wing de-icer waste LH								NP	X
	592506	Duct Installation—Sta 400 wing de-icer waste RH								1	X
	592507	Duct Assembly—Outboard wing de-icer upper LH								1	X
	592508	Duct Assembly—Outboard wing de-icer upper RH								2	X
	6871R	Duct—(FS)								1	X
	592593	Duct Assembly—Sta 400 wing de-icer waste aft LH								1	X
	592594	Duct Assembly—Sta 400 wing de-icer waste aft RH								1	X
	592595	Duct Assembly—Sta 400 wing de-icer waste forward LH								1	X
	592596	Duct Assembly—Sta 400 wing de-icer waste forward RH								2	X
	6525R	Bellows—(FS)								NP	X
	592509	Duct Installation—Sta 338 to 400 wing de-icing LH								NP	X
	592510	Duct Installation—Sta 338 to 400 wing de-icing RH								1	X
	592523	Valve Assembly—Wing sta 400 de-icing duct LH								1	X
	592524	Valve Assembly—Wing sta 400 de-icing duct RH								NP	X
	592527	Ducts Installation—De-icing system LH								NP	X
	592528	Ducts Installation—De-icing system RH								1	X
	592529	Duct Assembly—Wing sta 215.5 de-icing system LH								1	X
592530	Duct Assembly—Wing sta 215.5 de-icing system RH								1	X	
592531	Duct Assembly—Wing sta 246.592 de-icing system LH								1	X	
592532	Duct Assembly—Wing sta 246.592 de-icing system RH								2	X	
557155	Coupling Assembly—De-icing system hot air flex duct								1	X	
592533	Duct Assembly—Wing sta 281.5 de-icing system LH								1	X	
592534	Duct Assembly—Wing sta 281.5 de-icing system RH								2	X	
3201190	Coupling—(ARW)								1	X	
592535	Duct Assembly—Wing sta 338 de-icing system LH								1	X	
592536	Duct Assembly—Wing sta 338 de-icing system RH								NP	X	
592575	Motor Installation—Wing sta 400 de-icing duct LH								NP	X	
592576	Motor Installation—Wing sta 400 de-icing duct RH								NP	X	
452224-4	Actuator Assembly—Geneva Loc 3 position 45° (PDI)								1	X	
560763-50	Actuator Assembly—Overheat protection spring loaded LH								1	X	
560763-40	Actuator Assembly—Overheat protection spring loaded RH								1	X	
461155-4	Rod Assembly—Anti-icing control LH								1	X	
461155-2	Rod Assembly—Anti-icing control RH								1	X	
461155-6	Rod Assembly—Anti-icing control LH								1	X	
461155-8	Rod Assembly—Anti-icing control RH								1	X	
261147	Lever—Heating and ventilating anti-icing valve actuating								1	X	
260690	Arm—Wing sta 400 anti-icing valve actuating								1	X	
AN3216-1	Switch—Micro								1	X	
HN-RNN12	Housing—Micro switch (MCS)								1	X	

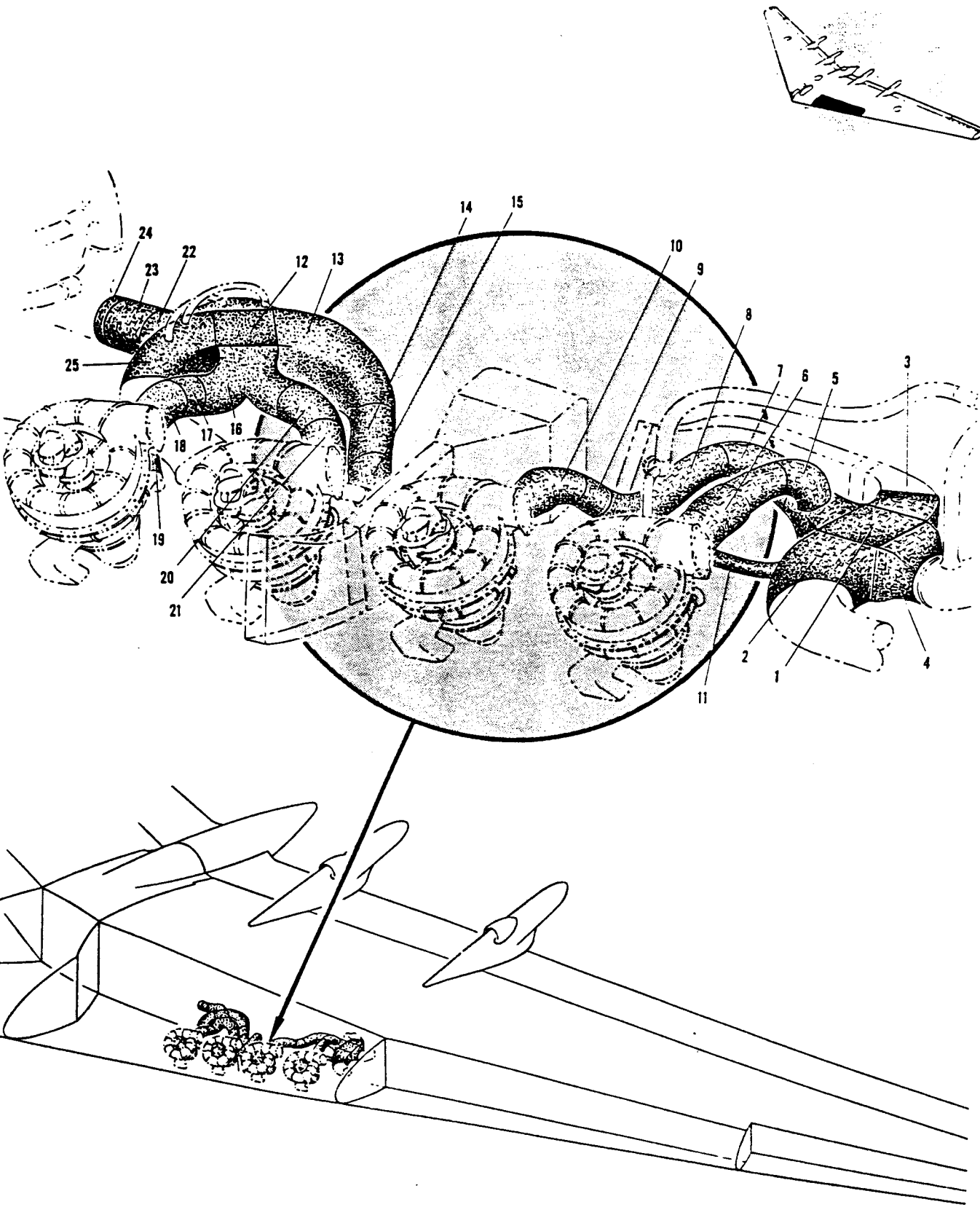


FIGURE 104—YB-35 PLENUM CHAMBER EXHAUST SYSTEM INSULATING BLANKET

POWER PLANT GROUP
YB-35 PLENUM CHAMBER EXHAUST SYSTEM INSULATING BLANKET

FIGURE & INDEX NUMBER	PART NUMBER	NOMENCLATURE							UNITS PER ASSEM	USAGE CODE
		1	2	3	4	5	6	7		
	558225	Blanket Installation—Plenum chamber exhaust system insulating LH (For next assembly see page 185).....							NP	X
	558225-1	Blanket Installation—Plenum chamber exhaust system insulating RH (For next assembly see page 185).....							NP	X
104 - 1	35933-6	.	*	Blanket—Insulating LH	.	.	.	2	X	
	35933-36	.	.	Blanket—Insulating RH	.	.	.	1	X	
2	35933-7	.	*	Blanket—Insulating LH	.	.	.	1	X	
	35933-37	.	.	Blanket—Insulating RH	.	.	.	1	X	
3	35933-8	.	*	Blanket—Insulating LH	.	.	.	1	X	
	35933-38	.	.	Blanket—Insulating RH	.	.	.	1	X	
4	35933-9	.	*	Blanket—Insulating LH	.	.	.	1	X	
	35933-39	.	.	Blanket—Insulating RH	.	.	.	1	X	
5	35933-10	.	*	Blanket—Insulating LH	.	.	.	1	X	
	35933-40	.	.	Blanket—Insulating RH	.	.	.	1	X	
6	35933-11	.	*	Blanket—Insulating LH	.	.	.	1	X	
	35933-41	.	.	Blanket—Insulating RH	.	.	.	1	X	
7	35933-12	.	*	Blanket—Insulating LH	.	.	.	1	X	
	35933-42	.	.	Blanket—Insulating RH	.	.	.	1	X	
8	35933-13	.	*	Blanket—Insulating LH	.	.	.	1	X	
	35933-43	.	.	Blanket—Insulating RH	.	.	.	1	X	
9	35933-14	.	*	Blanket—Insulating LH	.	.	.	1	X	
	35933-44	.	.	Blanket—Insulating RH	.	.	.	1	X	
10	35933-15	.	*	Blanket—Insulating LH	.	.	.	1	X	
	35933-45	.	.	Blanket—Insulating RH	.	.	.	1	X	
11	35933-16	.	*	Blanket—Insulating LH	.	.	.	1	X	
	35933-46	.	.	Blanket—Insulating RH	.	.	.	1	X	
12	35932-6	.	*	Blanket—Insulating LH	.	.	.	2	X	
	35932-36	.	.	Blanket—Insulating RH	.	.	.	2	X	
13	35932-7	.	*	Blanket—Insulating LH	.	.	.	1	X	
	35932-37	.	.	Blanket—Insulating RH	.	.	.	1	X	
14	35932-8	.	*	Blanket—Insulating LH	.	.	.	1	X	
	35932-38	.	.	Blanket—Insulating RH	.	.	.	1	X	
15	35932-9	.	*	Blanket—Insulating LH	.	.	.	1	X	
	35932-39	.	.	Blanket—Insulating RH	.	.	.	1	X	
16	35932-10	.	*	Blanket—Insulating LH	.	.	.	1	X	
	35932-40	.	.	Blanket—Insulating RH	.	.	.	1	X	
17	35932-11	.	*	Blanket—Insulating LH	.	.	.	1	X	
	35932-41	.	.	Blanket—Insulating RH	.	.	.	1	X	
18	35932-12	.	*	Blanket—Insulating LH	.	.	.	1	X	
	35932-42	.	.	Blanket—Insulating RH	.	.	.	1	X	
19	35932-13	.	*	Blanket—Insulating LH	.	.	.	1	X	
	35932-43	.	.	Blanket—Insulating RH	.	.	.	1	X	
20	35932-14	.	*	Blanket—Insulating LH	.	.	.	1	X	
	35932-44	.	.	Blanket—Insulating RH	.	.	.	1	X	
21	35932-15	.	*	Blanket—Insulating LH	.	.	.	1	X	
	35932-45	.	.	Blanket—Insulating RH	.	.	.	1	X	
22	35932-16	.	*	Blanket—Insulating LH	.	.	.	1	X	
	35932-46	.	.	Blanket—Insulating RH	.	.	.	1	X	
23	35932-17	.	*	Blanket—Insulating LH	.	.	.	1	X	
	35932-47	.	.	Blanket—Insulating RH	.	.	.	1	X	
24	35932-18	.	*	Blanket—Insulating LH	.	.	.	1	X	
	35932-48	.	.	Blanket—Insulating RH	.	.	.	1	X	
25	35932-19	.	*	Blanket—Insulating LH	.	.	.	1	X	
	35932-49	.	.	Blanket—Insulating RH	.	.	.	1	X	

*(H. I. Thompson Company, Los Angeles, California.)

RESTRICTED
AN 01-15EAA-4
POWER PLANT GROUP

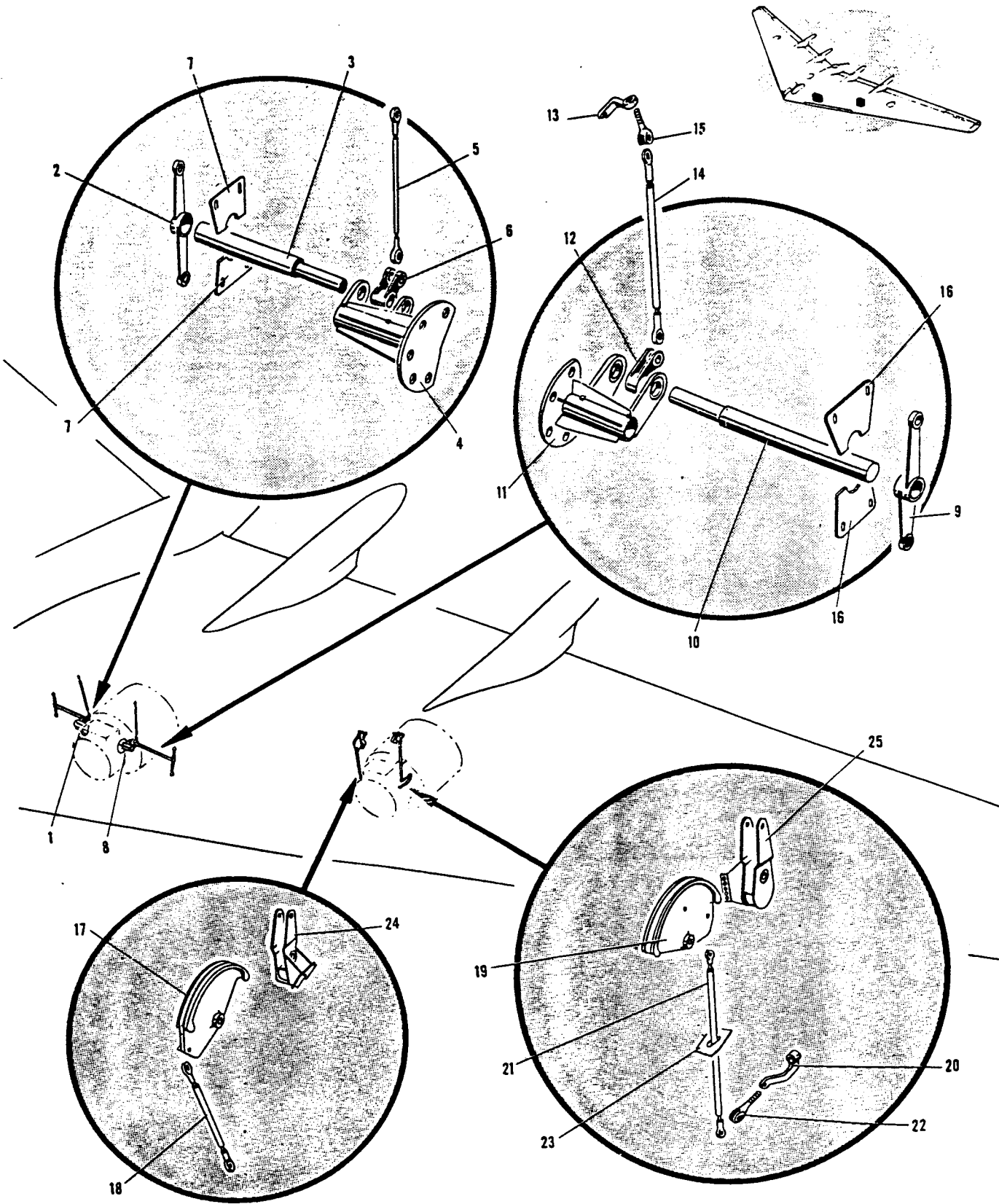


FIGURE 105—YB-35 POWER PLANT CONTROLS

RESTRICTED

POWER PLANT GROUP
YB-35 POWER PLANT CONTROLS

FIGURE & INDEX NUMBER	PART NUMBER	1	2	3	4	5	6	7	NOMENCLATURE	UNITS PER ASSEM	USAGE CODE
	591000-10								Controls Installation—Power plant LH (For next assembly see page 170)	NP	X
	591000-20								Controls Installation—Power plant RH (For next assembly see page 170)	NP	X
	555351-2								Mechanism Installation—Inboard engine mixture control LH	NP	X
	555351-4								Mechanism Installation—Inboard engine mixture control RH	NP	X
105 - 1	555351-8								Mechanism Assembly—Inboard engine mixture control LH	1	X
	555351-6								Mechanism Assembly—Inboard engine mixture control RH	1	X
2	455357								Crank Assembly—Inboard engine control short shaft bell LH	1	X
	455355								Crank Assembly—Inboard engine control long shaft bell RH	1	X
3	455354								Shaft Assembly—Inboard engine control short LH	1	X
	455359								Shaft Assembly—Inboard engine control long RH	1	X
4	555353								Support Assembly—Inboard engine control shaft	1	X
5	255360								Rod Assembly—Inboard engine mixture control	1	X
6	455356								Arm Assembly—Inboard engine mixture control	1	X
7	255777								Fairlead—Inboard engine control torque tube	2	X
	555352-2								Mechanism Installation—Inboard engine throttle control LH	NP	X
	555352-4								Mechanism Installation—Inboard engine throttle control RH	NP	X
8	555352-6								Mechanism Assembly—Inboard engine throttle control LH	1	X
	555352-8								Mechanism Assembly—Inboard engine throttle control RH	1	X
9	455355								Crank Assembly—Inboard engine control long shaft bell LH	1	X
	455357								Crank Assembly—Inboard engine control short shaft bell RH	1	X
10	455359								Shaft Assembly—Inboard engine control long LH	1	X
	455354								Shaft Assembly—Inboard engine control short RH	1	X
11	555353-1								Support Assembly—Inboard engine control shaft	1	X
12	455358								Arm Assembly—Inboard engine throttle control	1	X
13	255072								Lever Assembly—Carburetor throttle control	1	X
14	255361								Rod Assembly—Inboard engine throttle control	1	X
15	255083								End—Carburetor throttle control rod	1	X
16	255777								Fairlead—Inboard engine control torque tube	2	X
	555114-2								Mechanism Installation—Outboard engine mixture control LH	NP	X
	555114-4								Mechanism Installation—Outboard engine mixture control RH	NP	X
17	455113-10								Quadrant Assembly—Outboard engine throttle and mixture control LH	1	X
	455113-11								Quadrant Assembly—Outboard engine throttle and mixture control RH	1	X
18	455564-2								Rod Assembly—Outboard engine throttle and mixture control LH	1	X
	455564-4								Rod Assembly—Outboard engine throttle and mixture control RH	1	X
	155966								Fairlead—Outboard engine throttle and mixture control push rod	1	X
	555116-2								Mechanism Installation—Outboard engine throttle control LH	NP	X
	555116-4								Mechanism Installation—Outboard engine throttle control RH	NP	X
19	455113-12								Quadrant Assembly—Outboard engine throttle and mixture control LH	1	X
	455113-14								Quadrant Assembly—Outboard engine throttle and mixture control RH	1	X
20	455442								Lever Assembly—Outboard engine throttle control carburetor LH	1	X
	255072								Lever Assembly—Carburetor throttle control RH	1	X
21	455564-6								Rod Assembly—Outboard engine throttle and mixture control LH	1	X
	455564-8								Rod Assembly—Outboard engine throttle and mixture control RH	1	X
22	255083								End—Carburetor throttle control rod	1	X
23	155967								Fairlead—Outboard engine throttle control push rod	1	X
	155966								Fairlead—Outboard engine throttle and mixture control push rod	1	X
	555157-2								Bracket Installation—Outboard engine throttle and mixture control LH	NP	X
	555157-4								Bracket Installation—Outboard engine throttle and mixture control RH	NP	X
24	555157-38								Bracket Assembly—Outboard engine throttle and mixture control LH	1	X
	555157-39								Bracket Assembly—Outboard engine throttle and mixture control RH	1	X
25	555157-40								Bracket Assembly—Outboard engine throttle and mixture control LH	1	X
	555157-41								Bracket Assembly—Outboard engine throttle and mixture control RH	1	X

RESTRICTED
AN 01-15EAA-4
POWER PLANT GROUP

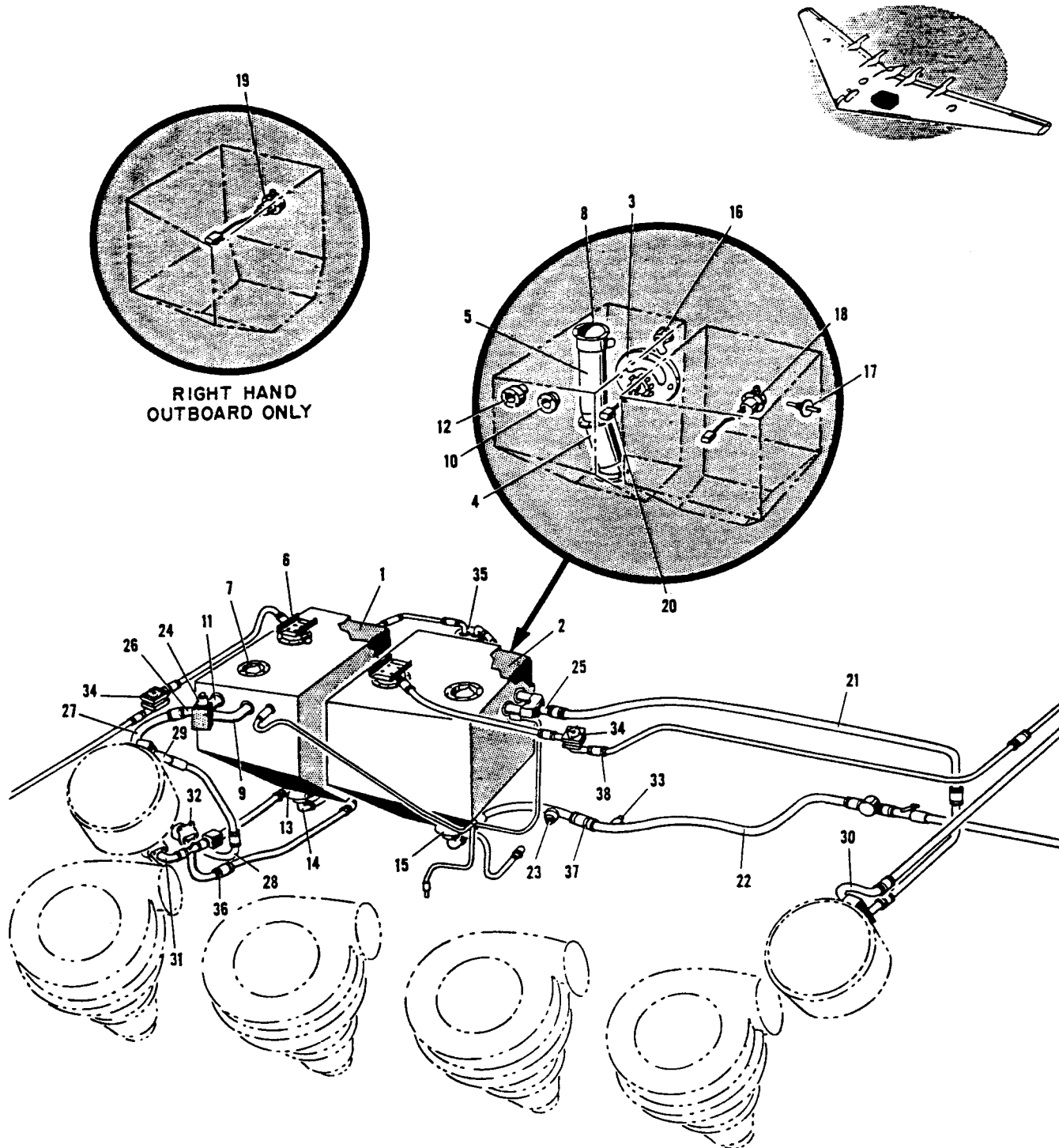


FIGURE 106—YB-35 POWER PLANT OIL SYSTEM

RESTRICTED

POWER PLANT GROUP
YB-35 POWER PLANT OIL SYSTEM

FIGURE & INDEX NUMBER	PART NUMBER	NOMENCLATURE	UNITS PER ASSEM	USAGE CODE
		1 2 3 4 5 6 7		
	590006-10	Oil System Installation—Power plant LH (For next assembly see page 170)	NP	X
	590006-20	Oil System Installation—Power plant RH (For next assembly see page 170)	NP	X
	592703	Tank Installation—Inboard engine oil system LH	NP	X
	592704	Tank Installation—Inboard engine oil system RH	NP	X
	592701	Tank Installation—Outboard engine oil system LH	NP	X
	592702	Tank Installation—Outboard engine oil system RH	NP	X
106 - 1	592727	Cell—Inboard oil tank mareng LH	1	X
	592728	Cell—Inboard oil tank mareng RH	1	X
2	592735	Cell—Outboard oil tank mareng LH	1	X
	592736	Cell—Outboard oil tank mareng RH	1	X
3	592734	Door—Inboard oil tank mareng	2	X
4	592685	Hopper Assembly—Oil tank lower	2	X
	592671	Shell Assembly—Oil tank lower	3	X
	477407	Valve Assembly—Oil tank lower check	3	X
	477368	Collar—Oil tank lower hopper	3	X
	492907	Valve Assembly—Oil tank lower hopper	2	X
5	492663	Shell Assembly—Upper hopper inboard tank oil system LH	1	X
	492664	Shell Assembly—Upper hopper inboard tank oil system RH	1	X
6	592978	Cover Assembly—Oil tank hopper LH	1	X
	592979	Cover Assembly—Oil tank hopper RH	1	X
7	492615	Scupper Assembly—Oil tank filler	2	X
8	492975	Inlet Assembly—Oil tank hopper	2	X
9	458747	Fitting Assembly—Tank inlet outside LH	1	X
	458747-1	Fitting Assembly—Tank inlet outside RH	1	X
10	458750	Fitting Assembly—Tank inlet inside	2	X
11	558745	Support Assembly—Diverter valve LH	1	X
	558745-1	Support Assembly—Diverter valve RH	1	X
12	292604	Fitting—Oil return line tank	2	X
13	259372	Fitting Assembly—Oil outlet	2	X
14	258637	Fitting—Oil tank sump drain line	2	X
15	592611	Fitting—Oil tank sump	2	X
16	292910	Fitting—Oil tank transfer line elbow	2	X
17	292620	Fitting—Scupper drain outboard oil tank	2	X
	192655	Washer—Oil and fuel tank seal	2	X
18	8TJ17AFD	Transmitter—Outboard oil level (GE)	1	X
19	8TJ17AFE	Transmitter—Outboard oil level (GE)	1	X
	QS100M16	Clamp—(ASP)	4	X
20	8TJ17AFF	Transmitter—Inboard oil level (GE)	2	X
	590007-10	Piping Installation—Center wing oil system LH	NP	X
	590007-20	Piping Installation—Center wing oil system RH	NP	X
21	589010	Piping—Engine oil system (left and right)	AR	X
22	457712	Tube Assembly—Oil drain valve LH	1	X
	457712-1	Tube Assembly—Oil drain valve RH	1	X
	558744	Valve Installation—Oil diverter inboard LH	NP	X
	558744-1	Valve Installation—Oil diverter inboard RH	NP	X
	558819	Valve Installation—Oil diverter outboard LH	NP	X
	558819-1	Valve Installation—Oil diverter outboard RH	NP	X
23	11608-4	Thermostat Assembly—(AIR)	2	X
24	12027-2	Valve Assembly—(AIR)	2	X
25	258891	Fitting Assembly—Straight bolt	6	X
26	258748	Fitting Assembly—Valve inlet outside LH	1	X
	258746	Fitting Assembly—Oil cooler outlet RH	1	X
27	461728	Fitting Assembly—Inboard oil cooler connection LH	1	X
	461735	Fitting Assembly—Inboard oil valve to cooler LH	1	X
	461734	Fitting Assembly—Inboard oil cooler connection RH	1	X
	461733	Fitting Assembly—Inboard oil valve to cooler RH	1	X
28	559805	Fitting Assembly—Wing sta 188.5 out LH	1	X
	559805-1	Fitting Assembly—Wing sta 188.5 out RH	1	X
29	459812	Fitting Assembly—Inboard oil cooler inlet LH	1	X
	459812-1	Fitting Assembly—Inboard oil cooler inlet RH	1	X
	489033	Fitting Assembly—Outboard oil cooler RH	1	X
30	459988	Fitting Assembly—Outboard oil cooler inlet LH	1	X
	459975	Fitting Assembly—Outboard oil cooler inlet RH	1	X
	459974	Fitting Assembly—Outboard oil cooler outlet RH	2	X
31	258579	Fitting Assembly—Oil system	4	X
32	TQDP470	Coupling Assembly—Disconnect (TP)	8	X
33	K1440B	Valve—Oil drain (KOE)	4	X
34	SA4540	Valve Assembly—(STANDARD AIRCRAFT PRODUCTS)	4	X
35	S1145A	Pump—Oil transfer (PET)	2	X
36	QS100M24	Clamp—(ASP)	30	X
37	QS100M32	Clamp—(ASP)	42	X
38	QS100M16	Clamp—(ASP)	56	X

POWER PLANT GROUP

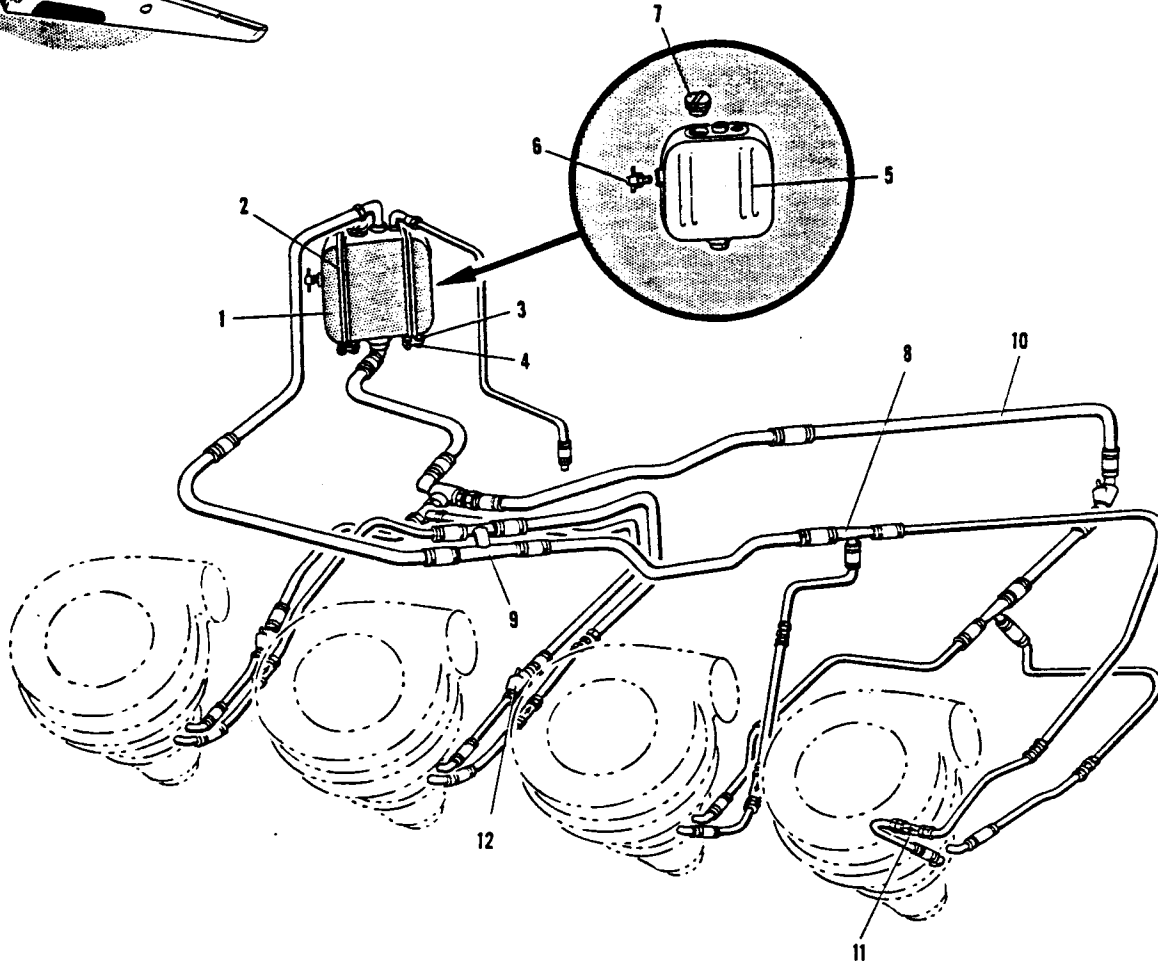
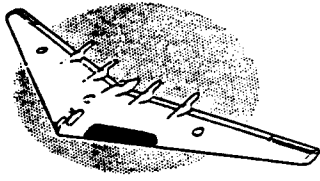


FIGURE 107—YB-35 POWER PLANT TURBO OIL SYSTEM

YB-35 POWER PLANT TURBO OIL SYSTEM

FIGURE & INDEX NUMBER	PART NUMBER	1	2	3	4	5	6	7	NOMENCLATURE	UNITS PER ASSEM	USAGE CODE	
107 - 1	559010								Piping Installation—Turbo oil system LH (For next assembly see page 170)	NP	X	
	559044								Piping Installation—Turbo oil system RH (For next assembly see page 170)	NP	X	
	556741								Tank Installation—Turbo oil LH	NP	X	
	556741-1								Tank Installation—Turbo oil RH	NP	X	
	556859								Tank Assembly—Complete turbo oil	1	X	
		Attaching Parts										
	2	41188								Strap Assembly—(MAR)	2	X
	3	AN3-3A								Bolt—Aircraft 10-32	4	X
	4	AN365-1032								Nut—Self locking	4	X
	5	556744								Tank Assembly—Turbo oil	1	X
	6	CCA1500								Draincock—(CUM)	1	X
	7	42B3581								Cap and Adapter Assembly	2	X
8	259141								Adapter Assembly—Turbo oil system	1	X	
9	459142								Manifold Assembly—Turbo oil system return line	1	X	
10	559140								Lines Assembly—Turbo oil system	4	X	
11	AN6207-10								Valve—Check (GFP)	4	X	
12	7HVE2B1								Valve—Anti-lead (GE)	1	X	
	260122								Support—Turbo anti-leak valve	1	X	
	260125								Support—Turbo anti-leak valve	1	X	

POWER PLANT GROUP

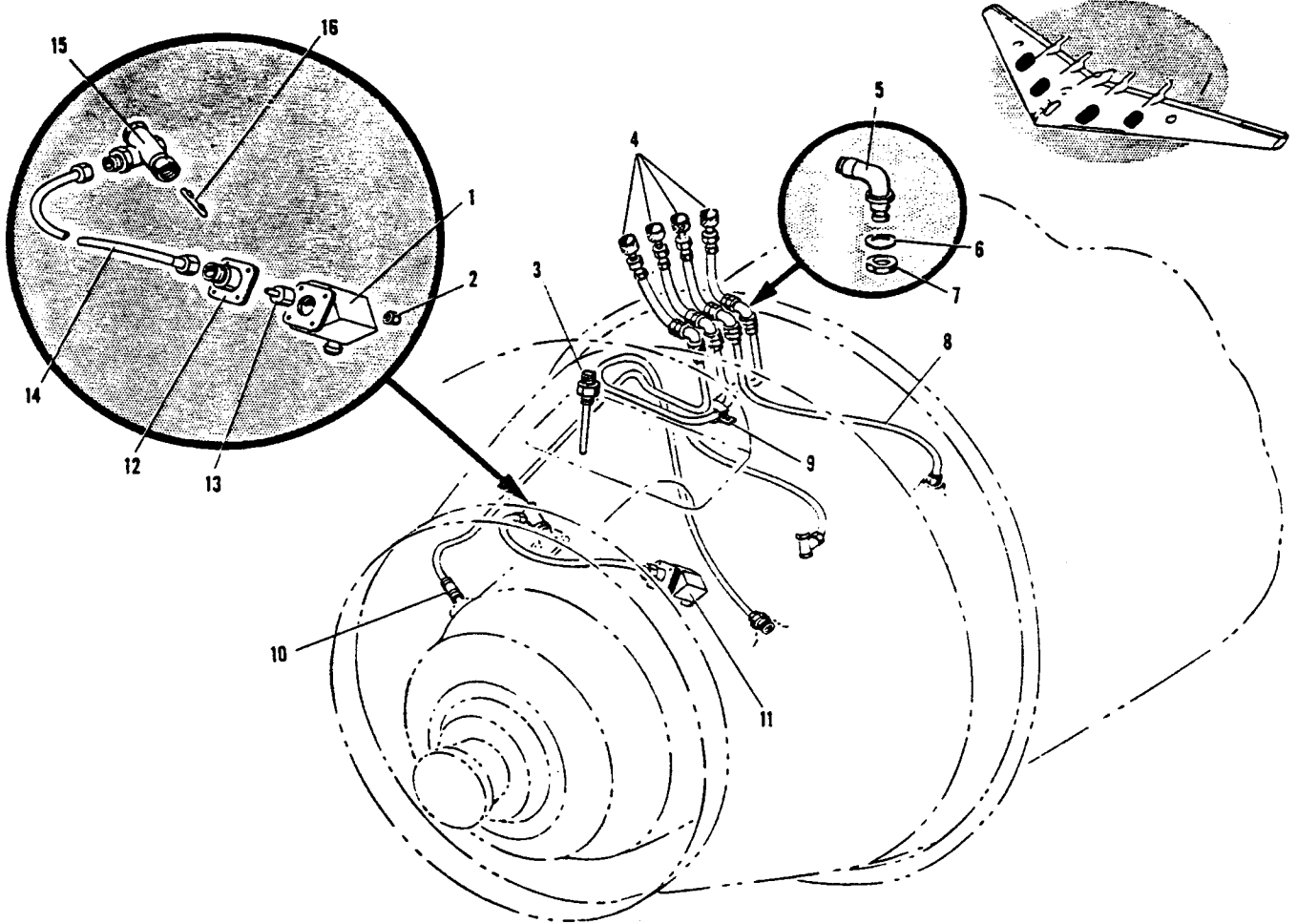


FIGURE 108—YB-35 POWER PLANT INSTRUMENTS

YB-35 POWER PLANT INSTRUMENTS

FIGURE & INDEX NUMBER	PART NUMBER	1	2	3	4	5	6	7	NOMENCLATURE	UNITS PER ASSEM	USAGE CODE
		Outboard and Inboard Power Plant Instruments									
	551096								Instrument Installation—Outboard power plant LH (For next assembly see page 170)	NP	X
	551096-1								Instrument Installation—Outboard power plant RH (For next assembly see page 170)	NP	X
	551095								Instrument Installation—Inboard power plant LH (For next assembly see page 170)	NP	X
	551095-1								Instrument Installation—Inboard power plant RH (For next assembly see page 170)	NP	X
108 - 1	66345								Generator—(GFP)	1	X
2	AN310-4								Nut—Aircraft castle	4	X
3	AN5525-2								Bulb—Thermometer (GFP) (AER 61-8901)	2	X
4	254360-2								Hose Assembly—Power plant instrument line	4	X
5	AN833-4D								Elbow—Flared tube bulkhead and universal 90°	4	X
6	AN960D716								Washer—Plain	4	X
7	AN924-4D								Nut—Flared tube universal	4	X
8	554211								Line Assembly—Outboard power plant instrument LH	AR	X
	554784								Line Assembly—Outboard power plant instrument RH	AR	X
	554212								Line Assembly—Inboard power plant instrument LH	AR	X
	554785								Line Assembly—Inboard power plant instrument RH	AR	X
9	98-3								Chip Cushion—(AP)	1	X
10	AN878-4-15								Hose—Oil and coolant synthetic	1	X
11	560983-4								Mechanism Installation—Engine tachometer generator outboard	NP	X
	560983-2								Mechanism Installation—Engine tachometer generator outboard	NP	X
12	261429								Adapter Assembly—Tachometer generator drive shaft	2	X
13	261430								Coupling—Tachometer generator drive shaft adapter	1	X
14	LA1489								Shaft—Flexible (WD)	1	X
15	9030								Adapter—(F. W. Stewart, Chicago, Ill.)	1	X
16	336								Key Drive—(F. W. Stewart, Chicago, Ill.)	1	X

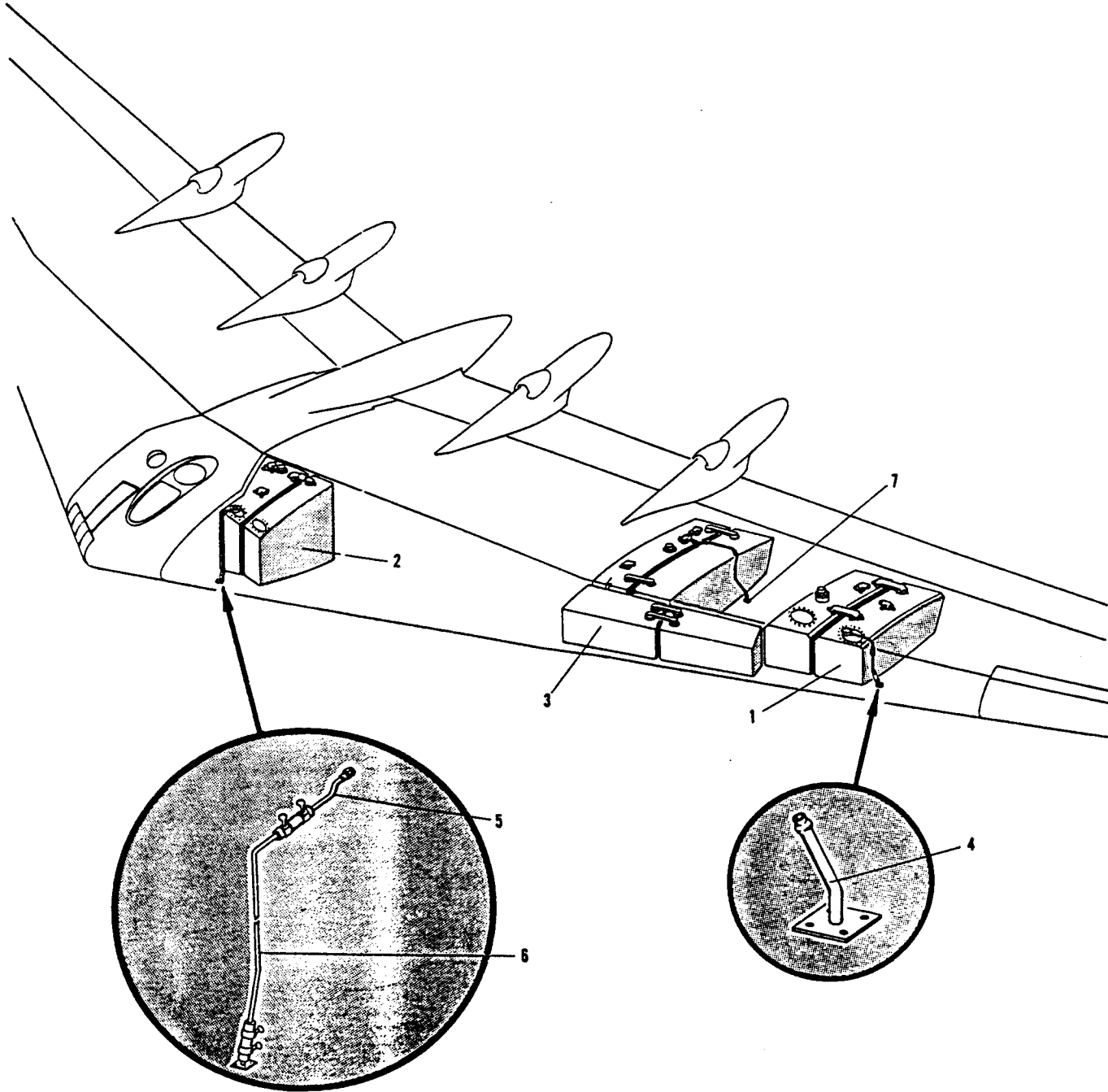
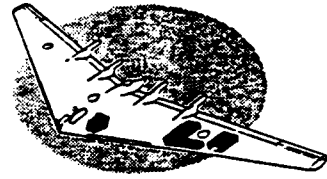


FIGURE 109—YB-35 FUEL SYSTEM

RESTRICTED

POWER PLANT GROUP
YB-35 FUEL SYSTEM

FIGURE & INDEX NUMBER	PART NUMBER	NOMENCLATURE							UNITS PER ASSEM	USAGE CODE
		1	2	3	4	5	6	7		
109 - 1	593000	Installation—Fuel system (For next assembly see page 170).....							NP	X
	593001	Tank Installation—Main outboard outer wing LH (For detail breakdown see page 204).....							NP	CF
2	593002	Tank Installation—Main outboard outer wing RH (For detail breakdown see page 204).....							NP	CF
	593005	Tank Installation—Main inboard center wing LH (For detail breakdown see page 205).....							NP	CF
3	593006	Tank Installation—Main inboard center wing RH (For detail breakdown see page 205).....							NP	CF
	560352	Tank Installation—No. 5 and No. 6 outboard auxiliary fuel LH (For detail breakdown see page 207).....							NP	G-R
	560352-1	Tank Installation—No. 5 and No. 6 outboard auxiliary fuel RH (For detail breakdown see page 207).....							NP	G-R
	588850-30	Piping Installation—Outer wing fuel LH (For detail breakdown see page 209).....							NP	CF
	588850-40	Piping Installation—Outer wing fuel RH (For detail breakdown see page 209).....							NP	CF
	588850-10	Piping Installation—Center wing fuel LH (For detail breakdown see page 209).....							NP	CF
	588850-20	Piping Installation—Center wing fuel RH (For detail breakdown see page 209).....							NP	CF
	588855-30	Piping Installation—Outer wing fuel vent LH (For detail breakdown see page 209).....							NP	X
	588855-40	Piping Installation—Outer wing fuel vent RH (For detail breakdown see page 209).....							NP	X
	588855-10	Piping Installation—Center wing fuel vent LH (For detail breakdown see page 209).....							NP	X
	588855-20	Piping Installation—Center wing fuel vent RH (For detail breakdown see page 209).....							NP	X
	559432	Piping Installation—Fuel system self sealing (For detail breakdown see page 209).....							NP	G-R
	560669	Piping Installation—Auxiliary fuel system (For detail breakdown see page 207).....							NP	G-R
	588971	Backing Installation—Fuel tanks No. 1 fiberglass LH.....							NP	X
	588972	Backing Installation—Fuel tanks No. 4 fiberglass RH.....							NP	X
	593093	Backing Installation—No. 2 fuel tank fiberglass LH.....							NP	X
	593094	Backing Installation—No. 3 fuel tank fiberglass RH.....							NP	X
	492933	Drain Installation—No. 1 fuel tank scupper LH.....							NP	X
	492934	Drain Installation—No. 4 fuel tank scupper RH.....							NP	X
4	292930	Outlet Assembly—No. 1 to No. 4 fuel tank scupper.....							1	X
	AN884-4-30	House—Aromatic resistant synthetic.....							1	X
	292935	Clip—No. 1 to No. 4 fuel tank scupper drain.....							1	X
	593085	Drain Installation—No. 2 fuel tank scupper LH.....							NP	X
	593086	Drain Installation—No. 3 fuel tank scupper RH.....							NP	X
5	293077	Tube Assembly—Fuel tank aft section scupper drain.....							1	X
	292943	Tube Assembly—No. 3 fuel tank aft section scupper drain RH.....							1	X
	293078	Tube—No. 3 fuel tank scupper drain.....							1	X
6	293079	Tube—No. 2 fuel tank forward section scupper drain.....							1	X
	293080	Tube—No. 3 fuel tank forward section scupper drain.....							1	X
	AN884-4-15	Hose—Aromatic resistant synthetic.....							1	X
	AN884-4-18	Hose—Aromatic resistant synthetic LH.....							1	X
	AN884-4-12	Hose—Aromatic resistant synthetic RH.....							1	X
	AN884-4-20	Hose—Aromatic resistant synthetic RH.....							1	X
	ACO	Clamp—(Murray Corp., Towson, Md.).....							1	X
	560687	Drain Installation—Auxiliary wing tank filler scupper LH.....							NP	G-R
	560687-1	Drain Installation—Auxiliary wing tank filler scupper RH.....							NP	G-R
7	260688	Flange Assembly—Filler scupper drain.....							1	G-R
	260689	Clip Assembly—Tank filler scupper drain.....							1	G-R

POWER PLANT GROUP

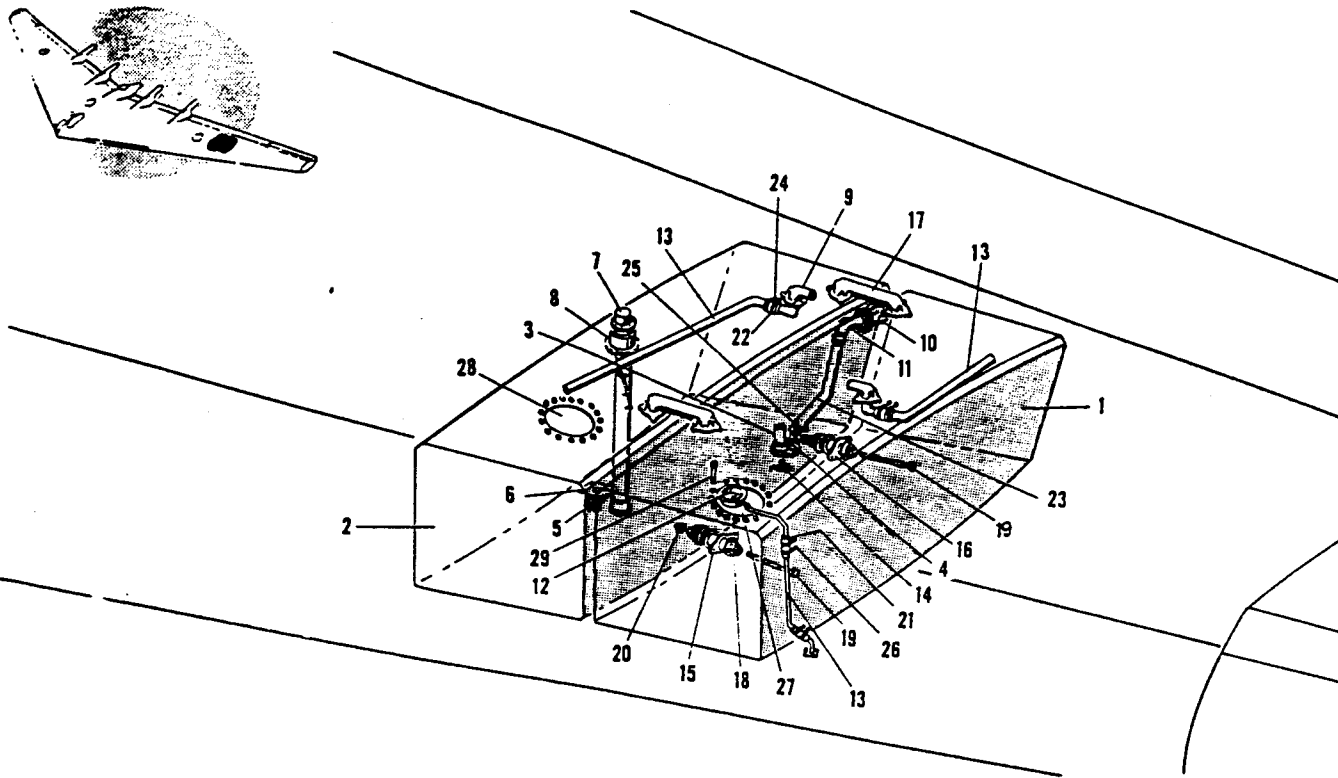


FIGURE 110—YB-35 MAIN OUTBOARD FUEL TANKS

YB-35 MAIN OUTBOARD FUEL TANKS

FIGURE & INDEX NUMBER	PART NUMBER	1	2	3	4	5	6	7	NOMENCLATURE	UNITS PER ASSEM	USAGE CODE
110 - 1	593001								Tank Installation—Main outboard outer wing LH (For next assembly see page 203)	NP	X
	593002								Tank Installation—Main outboard outer wing RH (For next assembly see page 203)	NP	X
	588965								Cell—No. 1 fuel tank mareng self sealing outboard LH	1	X
	588966								Cell—No. 4 fuel tank mareng self sealing outboard RH	1	X
	588919								Cell—No. 1 fuel tank mareng self sealing inboard LH	1	X
	588920								Cell—No. 4 fuel tank mareng self sealing inboard RH	1	X
	E7118-1								Pump—Fuel (GFP)	1	X
	A4932G024								Connector—Discharge (NASH ENGINEERING, S. Norwalk, Conn.)	1	X
	457909								Valve Assembly—Fuel tank drain	1	X
	K1625B-A								Valve—Drain (KOE)	1	X
	457908								Plate Assembly—Fuel tank drain valve	1	X
	8TJ18LAL								Transmitter—(GE)	1	X
	292939								Fitting—Fuel tank gage spacer	1	X
	488961								Outlet—No. 1 and No. 4 fuel tank vent	2	X
	492938								Fitting—No. 1 and No. 4 fuel tank outlet elbow	1	X
	493017								Fitting—Fuel tank outlet elbow	1	X
	261113								Cap Assembly—Fuel tank filler	1	X
	588851								Piping—Fuel system	NP	X
	W7600-7/16								Valve—Drain (WTR)	2	X
	288900								Interconnector—No. 1 and No. 4 fuel tank forward	1	X
	288918								Interconnector—No. 1 and No. 4 fuel tank aft	1	X
	488963								Interconnector—No. 1 fuel tank vent LH	1	X
	488964								Interconnector—No. 4 fuel tank vent RH	1	X
	293091								Fitting—Fuel tank spider	4	X
	193116-2								Bolt—Fuel tank interconnector	3	X
	AN365-5-624								Nut—Self locking	3	X
	AN884-4-15								Hose—Aromatic resistant synthetic	1	X
	AN884-24-15								Hose—Aromatic resistant synthetic	2	X
	AN884-24-160								Hose—Aromatic resistant synthetic	1	X
QS100M24								Clamp—(AFT)	4	X	
QS100M28								Clamp—(AFT)	2	X	
FB2								Clamp—(WIT)	2	X	
593123								Door—Fuel tank mareng SS filler and access	1	X	
593125								Door—Fuel tank mareng SS access	1	X	
288994-10								Bolt Assembly—No. 1 and No. 4 fuel tanks access panel	6	X	

POWER PLANT GROUP

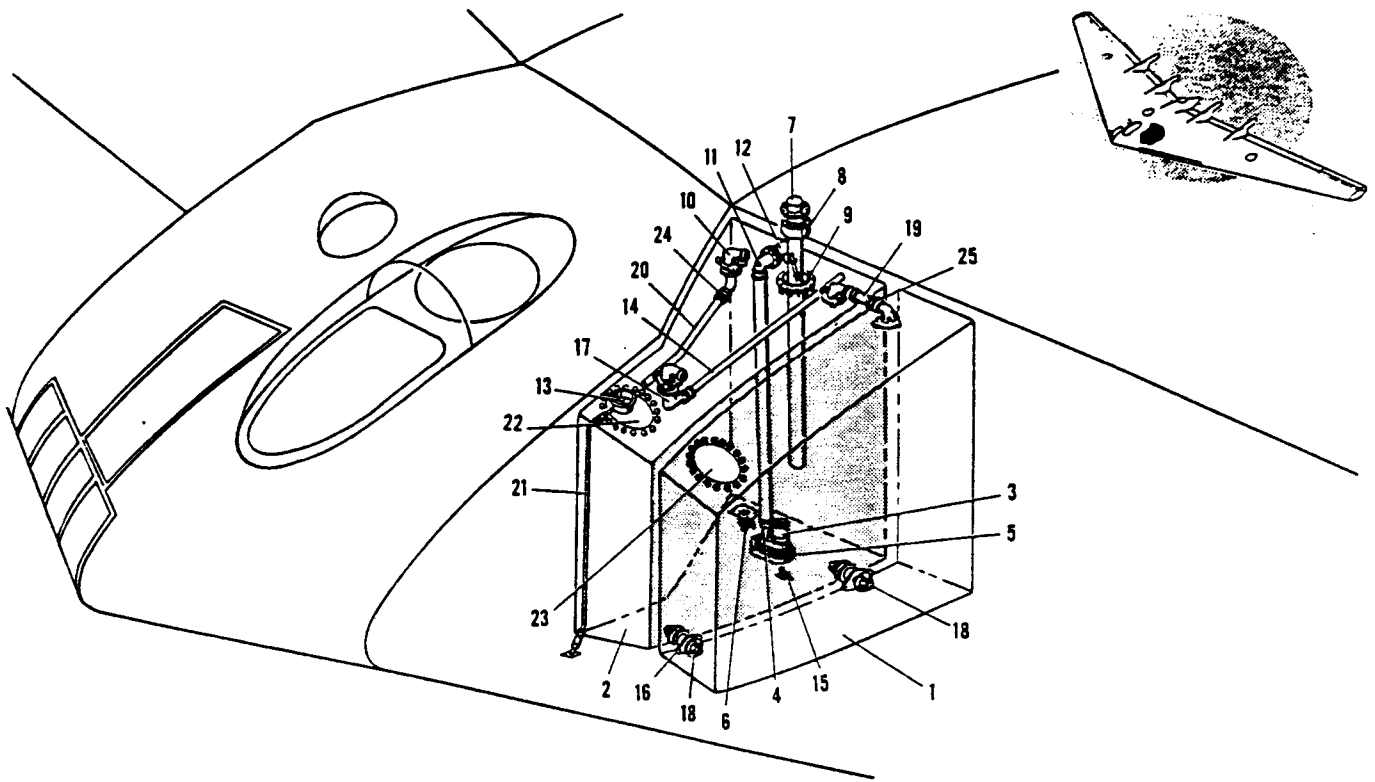


FIGURE 111—YB-35 MAIN INBOARD FUEL TANKS

YB-35 MAIN INBOARD FUEL TANKS

FIGURE & INDEX NUMBER	PART NUMBER	NOMENCLATURE							UNITS PER ASSEM	USAGE CODE
		1	2	3	4	5	6	7		
111 - 1	593005	Tank Installation—Main inboard center wing LH (For next assembly see page 203)							NP	X
	593006	Tank Installation—Main inboard center wing RH (For next assembly see page 203)							NP	X
	593117	Cell—No. 2 fuel tank mareng self sealing outboard LH							1	X
	593118	Cell—No. 3 fuel tank mareng self sealing outboard RH							1	X
	593089	Cell—No. 2 fuel tank mareng self sealing inboard LH							1	X
	593090	Cell—No. 3 fuel tank mareng self sealing inboard RH							1	X
	B7118-1	Pump—Fuel (GFP)							1	X
	A4932G024	Connector—Discharge (NASH ENGINEERING, S. Norwalk, Conn.)							1	X
	493032	Fitting—Fuel tank booster pump							1	X
	457909	Valve Assembly—Fuel tank drain							1	X
	K1625B-A	Valve—Drain (KOE)							1	X
	457908	Plate Assembly—Fuel tank drain valve							1	X
	8TJ18LAK	Transmitter—(GE)							1	X
	292940	Fitting—Fuel tank gage spacer							1	X
	493020	Fitting—Fuel tank liquid level gage							1	X
	493022	Fitting—Fuel tank vent outlet							1	X
	493017	Fitting—Fuel tank outlet elbow							1	X
	188931	Fitting—Fuel tank outlet elbow							1	X
	192945	Seal—Fuel tank outlet elbow							1	X
	261113	Cap Assembly—Fuel tank filler							1	X
	588851	Piping—Fuel system							AR	X
	W7600-7/16	Valve—Drain (WTR)							1	X
	293018	Fitting—Fuel tank interconnector							2	X
	293139	Fitting—Fuel tank interconnector vent							2	X
	293091	Fitting—Fuel tank spider							4	X
193116-1	Bolt—Fuel tank interconnector							2	X	
AN365-624	Nut—Self locking							2	X	
193051	Tube—Fuel tank vent interconnector							1	X	
488940	Tube—Fuel tank internal vent							1	X	
293080	Tube—No. 3 fuel tank forward section scupper drain							1	X	
593123	Door—Fuel tank mareng SS filler and access							1	X	
593125	Door—Fuel tank mareng SS access							1	X	
AN884-24-272	Hose—Aromatic resistant synthetic							1	X	
AN884-24-15	Hose—Aromatic resistant synthetic							4	X	
QS100M24	Clamp—(AFT)							8	X	
QS100M28	Clamp—(AFT)							2	X	

RESTRICTED
AN 01-15EAA-4
POWER PLANT GROUP

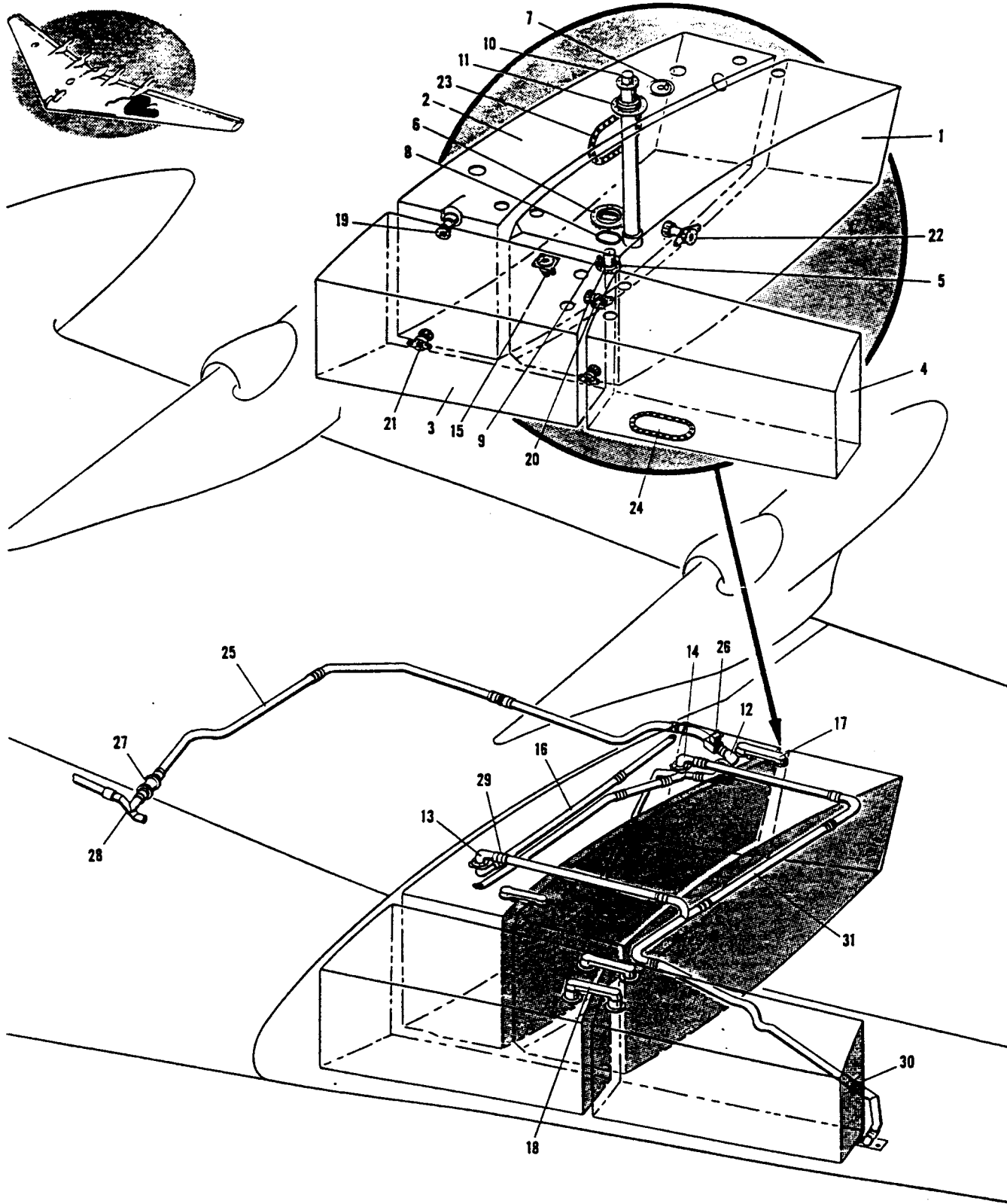


FIGURE 112—YB-35 AUXILIARY FUEL TANKS AND PIPING

RESTRICTED

POWER PLANT GROUP
YB-35 AUXILIARY FUEL TANKS AND PIPING

FIGURE & INDEX NUMBER	PART NUMBER	NOMENCLATURE							UNITS PER ASSEM	USAGE CODE
		1	2	3	4	5	6	7		
		YB-35 Auxiliary Fuel Tanks and Piping								
	560352	Tank Installation—No. 5 outboard auxiliary fuel LH (For next assembly see page 203)							NP	G-R
	560352-1	Tank Installation—No. 6 outboard auxiliary fuel RH (For next assembly see page 203)							NP	G-R
112 - 1	560353	Cell Assembly—No. 5A non self sealing fuel							1	G-R
	560353-1	Cell Assembly—No. 5A non self sealing fuel							1	G-R
2	560354	Cell Assembly—No. 5B non self sealing fuel							1	G-R
	560354-1	Cell Assembly—No. 5B non self sealing fuel							1	G-R
3	560355	Cell Assembly—No. 5C non self sealing fuel							1	G-R
	560355-1	Cell Assembly—No. 5C non self sealing fuel							1	G-R
4	560356	Cell Assembly—No. 5D non self sealing fuel							1	G-R
	560356-1	Cell Assembly—No. 5D non self sealing fuel							1	G-R
5	B7118-1	Pump—Fuel (GFP)							1	G-R
	W-7600-3/16	Valve—Drain (WTR)							1	G-R
	AN902-4	Gasket—Flared tube universal fitting							1	G-R
6	560593	Support Assembly—Tank 5B and 6B fuel booster pump							1	G-R
7	39B5435	Cap—Filler							1	G-R
8	288928	Gasket—Fuel tank booster pump							1	G-R
9	A4932G032	Connector—Discharge (NASH ENGINEERING CO., S. Norwalk, Conn.)							1	G-R
10	8TJ18LAM	Transmitter—(GE)							1	G-R
11	560672	Adapter Assembly—Auxiliary fuel system gage transmitter							1	G-R
12	560665	Outlet Assembly—Auxiliary fuel tank LH							1	G-R
	560665-1	Outlet Assembly—Auxiliary fuel tank RH							1	G-R
13	560744	Outlet Assembly—Auxiliary fuel tank vent forward							1	G-R
14	560676	Outlet Assembly—Auxiliary fuel cell vent aft							1	G-R
	FCB15810	Gasket—(USR)							3	G-R
	FCA15652	Gasket—(USR)							1	G-R
	FCA15434	Gasket—(USR)							2	G-R
	FCA15433	Gasket—(USR)							1	G-R
	FCA15430	Gasket—(USR)							1	G-R
	FCA15429	Gasket—(USR)							22	G-R
	460223	Valve Assembly—Fuel tank fitting and drain							1	G-R
15	K1625B-A	Valve—Drain (KOL)							1	G-R
	460214	Fitting Assembly—Tank drain valve							1	G-R
16	560667	Piping Installation—Auxiliary fuel tank internal							NP	G-R
	560667-2	Hose—Auxiliary fuel tank internal							1	G-R
	560667-4	Hose—Auxiliary fuel tank internal							2	G-R
	560667-6	Hose—Auxiliary fuel tank internal							4	G-R
	588851	Piping—Fuel system							AR	G-R
17	560670-4	Interconnector Assembly—Auxiliary fuel system vent							2	G-R
	560670-5	Interconnector Assembly—Auxiliary fuel system vent							1	G-R
18	560670-6	Interconnector Assembly—Auxiliary fuel system vent							2	G-R
19	560618	Interconnector Assembly—Auxiliary fuel system front spar							1	G-R
20	560630-4	Interconnector Assembly—Auxiliary fuel system forward							1	G-R
21	560630-6	Interconnector Assembly—Auxiliary fuel system forward LH							2	G-R
	560630-8	Interconnector Assembly—Auxiliary fuel system forward RH							1	G-R
22	460626	Interconnector Assembly—Auxiliary fuel system aft							1	G-R
	460671-2	Adapter—Auxiliary fuel tank vent interconnector							2	G-R
	460671-4	Adapter—Auxiliary fuel tank vent interconnector							2	G-R
	460673	Adapter Assembly—Auxiliary fuel tank filler							1	G-R
23	560674	Cover Assembly—Auxiliary fuel cell sta 400 access							1	G-R
24	560675	Cover Assembly—Auxiliary fuel cell No. 5C access							2	G-R
	560669	Piping Installation—Auxiliary fuel system (For next assembly see page 203)							NP	G-R
25	588851	Piping—Fuel system							AR	G-R
26	X234-145	Valve—(PA)							2	G-R
27	528-24D	Valve—Check (PA)							2	G-R
	AN846-24D	Elbow—Hose bulkhead 45°							2	G-R
	AN840-25D	Adapter—Hose to pipe thread							4	G-R
	AN924-24D	Nut—Flared tube universal							4	G-R
	AN849-24D	Connector—Hose bulkhead							2	G-R
28	560666	Tee Assembly—Auxiliary fuel system LH							1	G-R
	560666-1	Tee Assembly—Auxiliary fuel system RH							1	G-R
	AN748-66	Clamp—Hose							36	G-R
	AN742-26	Clamp—Loop type support							20	G-R
	AN742-24	Clamp—Loop type support							2	G-R
	560668	Piping Installation—Auxiliary fuel system vent							NP	G-R
29	560668-2	Hose—Auxiliary fuel system vent							7	G-R
30	560668-4	Hose—Auxiliary fuel system vent							2	G-R
31	588851	Piping—Fuel system							AR	G-R
	560746	Tube Assembly—Auxiliary fuel tank vent sta 479 forward							1	G-R
	560746-1	Tube Assembly—Auxiliary fuel tank vent sta 479 forward							1	G-R
	560747	Tube Assembly—Auxiliary fuel tank vent sta 479 aft							1	G-R
	560747-1	Tube Assembly—Auxiliary fuel tank vent sta 479 aft							1	G-R
	560766	Tube Assembly—Auxiliary fuel tank vent sta 567							1	G-R
	560766-1	Tube Assembly—Auxiliary fuel tank vent sta 567							1	G-R
	AN748-82	Clamp—Hose							18	G-R
	755-32-2-8	Clamp—(AD)							10	G-R

RESTRICTED
AN 01-15EAA-4
POWER PLANT GROUP

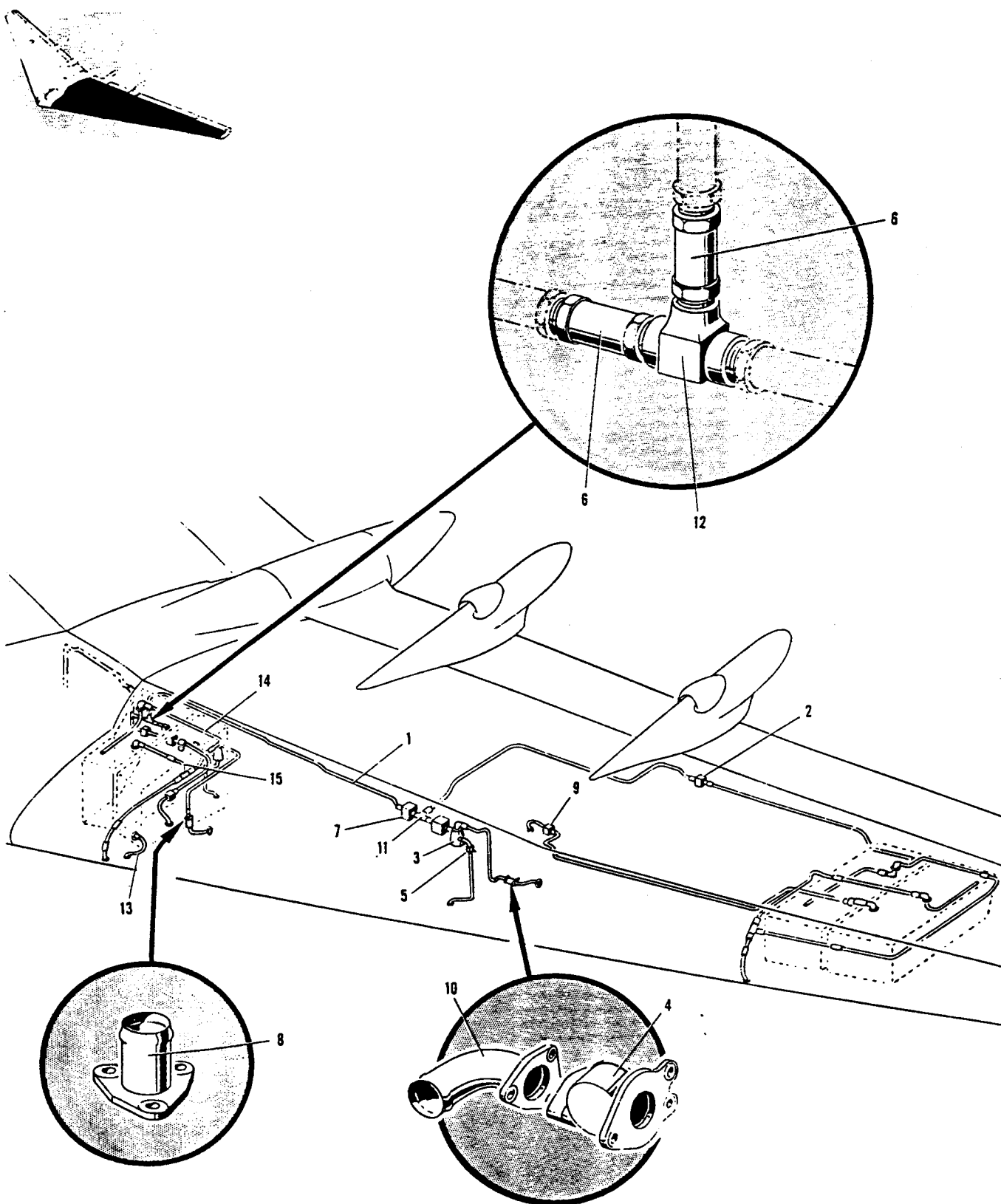


FIGURE 113—YB-35 FUEL PIPING
RESTRICTED

POWER PLANT GROUP
YB-35 FUEL PIPING

FIGURE &
INDEX
NUMBER

PART NUMBER

1 2 3 4 5 6 7

NOMENCLATURE

UNITS
PER
ASSEM

USAGE
CODE

113 - 1
2

3
4
5
6
7
8
9
10
11

12

13
14
15

FIGURE & INDEX NUMBER	PART NUMBER	NOMENCLATURE	UNITS PER ASSEM	USAGE CODE
		YB-35 Fuel Piping		
	588850-30	Piping Installation—Outer wing fuel LH (For next assembly see page 203)	NP	CF
	588850-40	Piping Installation—Outer wing fuel RH (For next assembly see page 203)	NP	CF
	588851	Piping—Fuel system	NP	CF
	X235-145	Valve—Fuel shutoff (PA)	1	CF
	AN884-24-15	Hose—Aromatic resistant synthetic	5	CF
	QS100M24	Clamp—(AFT)	10	CF
	AN884-24-15	Hose—Aromatic resistant synthetic	2	CF
	AN840-25D	Adapter—Hose to pipe thread	2	CF
	QS100M24	Clamp—(AFT)	4	CF
	AN837-6D	Elbow—Flared tube bulkhead and universal	1	CF
	AN924-6D	Nut—Flared tube universal	4	CF
	AN816-6D	Nipple—Flared tube and pipe thread	1	CF
	AN832-6D	Union—Flared tube 3/8 bulkhead and universal	3	CF
	755-6-2-8	Clip—(AP)	13	CF
	755-24-2-10	Clip—(AP)	14	CF
	588850-10	Piping Installation—Center wing fuel LH (For next assembly see page 203)	NP	CF
	588850-20	Piping Installation—Center wing fuel RH (For next assembly see page 203)	NP	CF
	588851	Piping—Fuel system	NP	CF
	104244-4-1	Strainer—Fuel (Type C6) (AS)	2	CF
	TQD18700-4A	Disconnect (TP)	2	CF
	W7000-1D	Cock—Drain (WTR)	2	CF
	W521-1-4D	Valve—(WTR)	2	CF
	X235-145	Valve—Fuel shutoff	4	CF
	288852	Fitting Assembly—Fuel system 3 bolt 1-1/4 welded straight	1	CF
	161	Disconnect—(WIG)	2	CF
	259167	Fitting Assembly—Fuel system 3 bolt 1-3/4 welded	1	CF
	AN917-10D	Tee—Fuel valve 1-1/2 tube	1	CF
	291197	Elbow—Fuel valve 1-1/2 tube	2	CF
	AN884-6-13	Hose—Aromatic resistant synthetic	2	CF
	AN864-6-14	Hose—Aromatic resistant synthetic	2	CF
	AN884-6-15	Hose—Aromatic resistant synthetic	1	CF
	AN884-6-56	Hose—Aromatic resistant synthetic	12	CF
	FB4	Clamp—(WIT)	1	CF
	AN884-24-60	Hose—Aromatic resistant synthetic	15	CF
	AN884-24-15	Hose—Aromatic resistant synthetic	2	CF
	AN884-24-18	Hose—Aromatic resistant synthetic	2	CF
	QS100M24	Clamp—(AFT)	62	CF
	AN884-24-51	Hose—Aromatic resistant synthetic	1	CF
	AN884-24-16	Hose—Aromatic resistant synthetic LH	3	CF
	AN884-20-56	Hose—Aromatic resistant synthetic	1	CF
	AN884-20-15	Hose—Aromatic resistant synthetic	2	CF
	QS100M20	Clamp—(AFT)	12	CF
	AN884-24-49	Hose—Aromatic resistant synthetic RH	1	CF
	AN884-24-27	Hose—Aromatic resistant synthetic	4	CF
	AN840-20D	Adapter—Hose to pipe thread	1	CF
	AN884-24-23	Hose—Aromatic resistant synthetic	1	CF
	AN840-25D	Adapter—Hose to pipe thread	8	CF
	AN840-21D	Adapter—Hose to pipe thread	2	CF
	AN816-4D	Nipple—Flared tube and pipe thread	1	CF
	AN911-10D	Nipple—Pipe thread	1	CF
	AN823-6D	Elbow—Flared tube pipe thread 45°	1	CF
	AN848-24D	Elbow—Hose bulkhead 90°	2	CF
	AN844-25D	Elbow—Pipe thread 45°	2	CF
	AN910-1	Coupling—Pipe thread	1	CF
	AN842-24D	Elbow—Pipe thread hose 90°	1	CF
	AN832-6D	Union—Flared tube 3/8 bulkhead and universal	1	CF
	AN914-1D	Elbow—Internal and external pipe thread 90°	1	CF
	AN924-6D	Nut—Flared tube universal	1	CF
	AN846-24D	Elbow—Hose bulkhead 45°	1	CF
	AN917-2D	Tee—Internal pipe thread	6	CF
	AN911-2D	Nipple—Pipe thread	2	CF
	588855-30	Piping Installation—Outer wing fuel vent LH (For next assembly see page 203)	NP	X
	588855-40	Piping Installation—Outer wing fuel vent RH (For next assembly see page 203)	NP	X
	588851	Piping—Fuel system	NP	X
	AN884-24-15	Hose—Aromatic resistant synthetic	6	X
	QS100M24	Clamp—(AFT)	12	X
	755-24-2-10	Clamp—(AP)	13	X
	588855-10	Piping Installation—Center wing fuel vent LH (For next assembly see page 203)	NP	X
	588855-20	Piping Installation—Center wing fuel vent RH (For next assembly see page 203)	NP	X
	588851	Piping—Fuel system	NP	X
	559001	Tube Assembly—Leading edge spar to carburetor vent LH	1	X
	457231	Tube Assembly—Wing sta 125.5 vent LH	1	X
	457231-1	Tube Assembly—Wing sta 125.5 vent RH	1	X
	288864	Elbow Assembly—Inboard tank fuel vent	1	X
	AN884-24-15	Hose—Aromatic resistant synthetic	8	X
	QS100M24	Clamp—(AFT)	16	X
	755-24-2-10	Clamp—(AP)	16	X
	559432	Piping Installation—Fuel system self sealing (For next assembly see page 203)	NP	G-R
	588851	Piping—Fuel system	NP	G-R
	AN884-24-14	Hose—Aromatic resistant synthetic	2	G-R
	AN884-24-15	Hose—Aromatic resistant synthetic	8	G-R
	AN884-24-23	Hose—Aromatic resistant synthetic	2	G-R
	AN884-20-15	Hose—Aromatic resistant synthetic	2	G-R

POWER PLANT GROUP
YB-35 FUEL PIPING

FIGURE & INDEX NUMBER	PART NUMBER	NOMENCLATURE							UNITS PER ASSEM	USAGE CODE
		1	2	3	4	5	6	7		
113 -	AN884-24-33								2	G-R
	AN884-6-15								4	G-R
	AN884-20-64								2	G-R
	AN884-6-13								3	G-R
	AN884-24-51								1	G-R
	AN884-24-16								2	G-R
	AN884-24-49								1	G-R
	AN884-6-56								2	G-R
	AN884-24-27								2	G-R
	588851-718								5	G-R
	559432-2								2	G-R
	559432-4								2	G-R
	559432-6								2	G-R
	559432-8								2	G-R
	559432-10								2	G-R
	559432-12								2	G-R
	559432-14								4	G-R
	559432-16								2	G-R
	559432-26								2	G-R
	559432-28								4	G-R
	559432-30								1	G-R
	459108								4	G-R
	104244-4-1								4	G-R
	TQDP470A								4	G-R
	W7000-1D								3	G-R
	W521-1-4D								10	G-R
	X235-145								4	G-R
	161								4	G-R
	158								2	G-R
	AN910-1								2	G-R
	291198								1	G-R
	AN917-2D								4	G-R
	291197								4	G-R
	AN816-4								10	G-R
	AN832-6D								2	G-R
	AN815-4								4	G-R
	AN911-10D								4	G-R
	AN816-6D								2	G-R
	AN911-2D								27	G-R
	AN840-25D								2	G-R
	AN840-20D								5	G-R
	AN840-6D								4	G-R
	AN840-21D								4	G-R
	AN917-10D								4	G-R
	AN848-24D								2	G-R
	AN837-6D								2	G-R
	AN848-21D								2	G-R
	AN924-6D								2	G-R
	AN914-1D								2	G-R
	AN842-24D								2	G-R
	AN823-6D								2	G-R
	AN844-20D								2	G-R
	755-6-2-8								1	G-R
	755-4-26								24	G-R
	AN748-74								62	G-R
	AN748-66								18	G-R
	AN748-26									

POWER PLANT GROUP

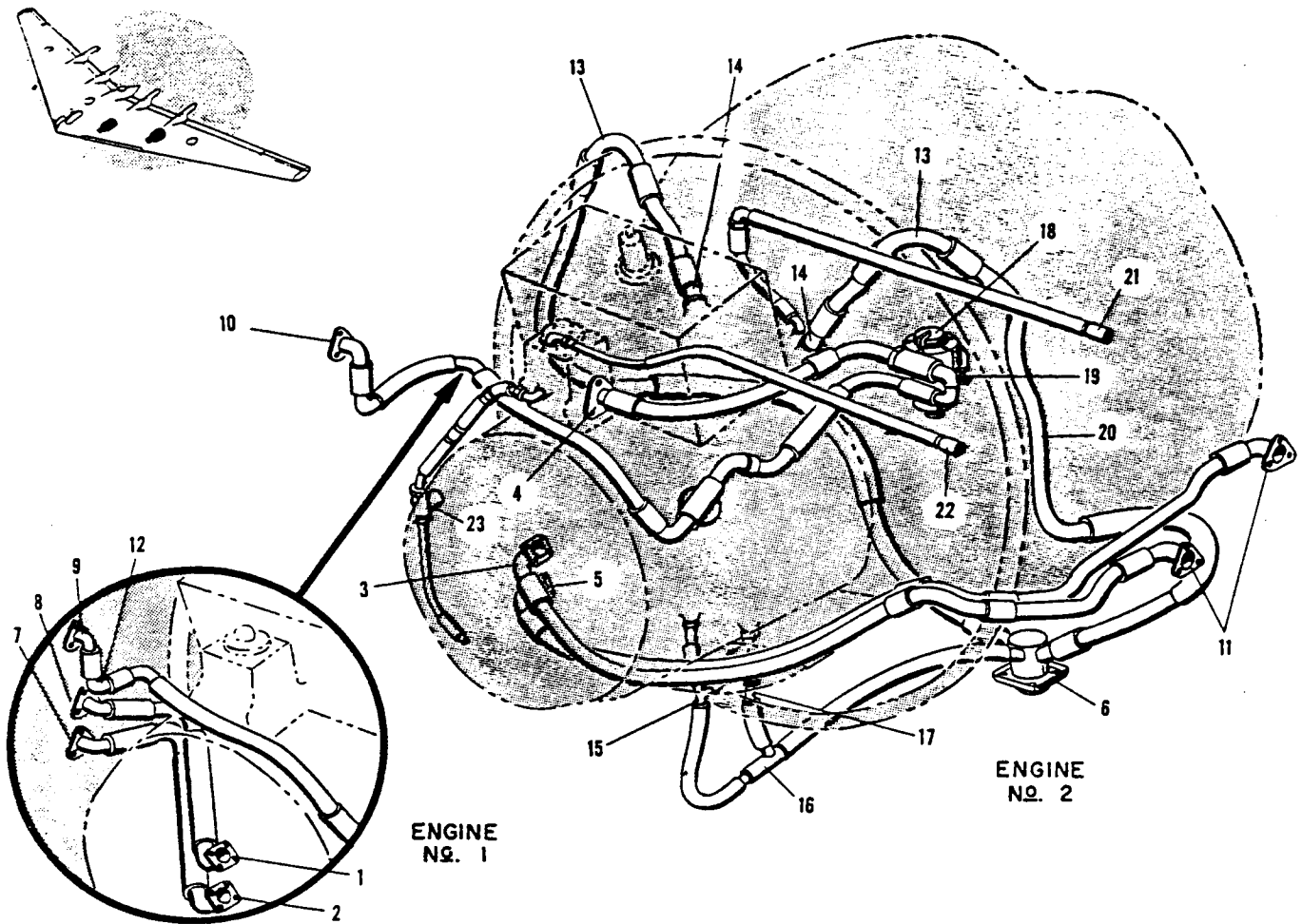


FIGURE 114—YB-35 ENGINE PIPING

YB-35 ENGINE PIPING

FIGURE & INDEX NUMBER	PART NUMBER	NOMENCLATURE	UNITS PER ASSEM	USAGE CODE
		1 2 3 4 5 6 7		
	556266-2	Piping Installation—Engine No. 1 outboard LH (For next assembly see page 170)	NP	X
	556266-8	Piping Installation—Engine No. 4 outboard RH (For next assembly see page 170)	NP	X
	556266-4	Piping Installation—Engine No. 2 inboard LH (For next assembly see page 170)	NP	X
	556266-6	Piping Installation—Engine No. 3 inboard RH (For next assembly see page 170)	NP	X
114 - 1	460655	Fitting Assembly—Oil system 4 bolt	2	X
2	450948-4	Fitting Assembly—Oil system 4 bolt	2	X
3	459879	Fitting Assembly—Oil outlet 4 bolt	4	X
4	289017	Fitting Assembly—Gear box oil system	2	X
5	459066-4	Fitting Assembly—Oil system 4 bolt	4	X
6	489044	Fitting Assembly—Engine door breather and drain	2	X
7	459275	Fitting Assembly—3 bolt oil disconnect	2	X
8	459276	Fitting Assembly—3 bolt oil disconnect outboard	2	X
9	459277	Fitting Assembly—3 bolt fuel disconnect	2	X
10	288853	Fitting Assembly—Fuel system 3 bolt	4	X
11	459136	Fitting Assembly—Oil system 3 bolt 90° elbow	2	X
12	459273	Elbow Assembly—Outboard fuel disconnect	8	X
13	259235	Elbow Assembly—Engine breather line	8	X
14	459133	Elbow Assembly—Engine breather line	4	X
15	289037	Tee Assembly—Engine piping drain	4	X
16	459257	Tee Assembly—Manifold drain	4	X
17	259256	Connection Assembly—Manifold drain	4	X
	257085-500	Transmitter Assembly—Autosyn fuel flow	4	X
	9054-4	Transmitter—(GFP)	12	X
18	257084	Stud—Fuel flow transmitter	AR	X
19	559164	Lines Assembly—Engine bay	4	X
20	508	Fitting—Disconnect (WIG)	4	X
21	158	Fitting—Disconnect (WIG)	4	X
22	158	Fitting—Disconnect (WIG)	4	X
23	K1170B	Valve—Drain (KOE)		

RESTRICTED
AN 01-15EAA-4
POWER PLANT GROUP

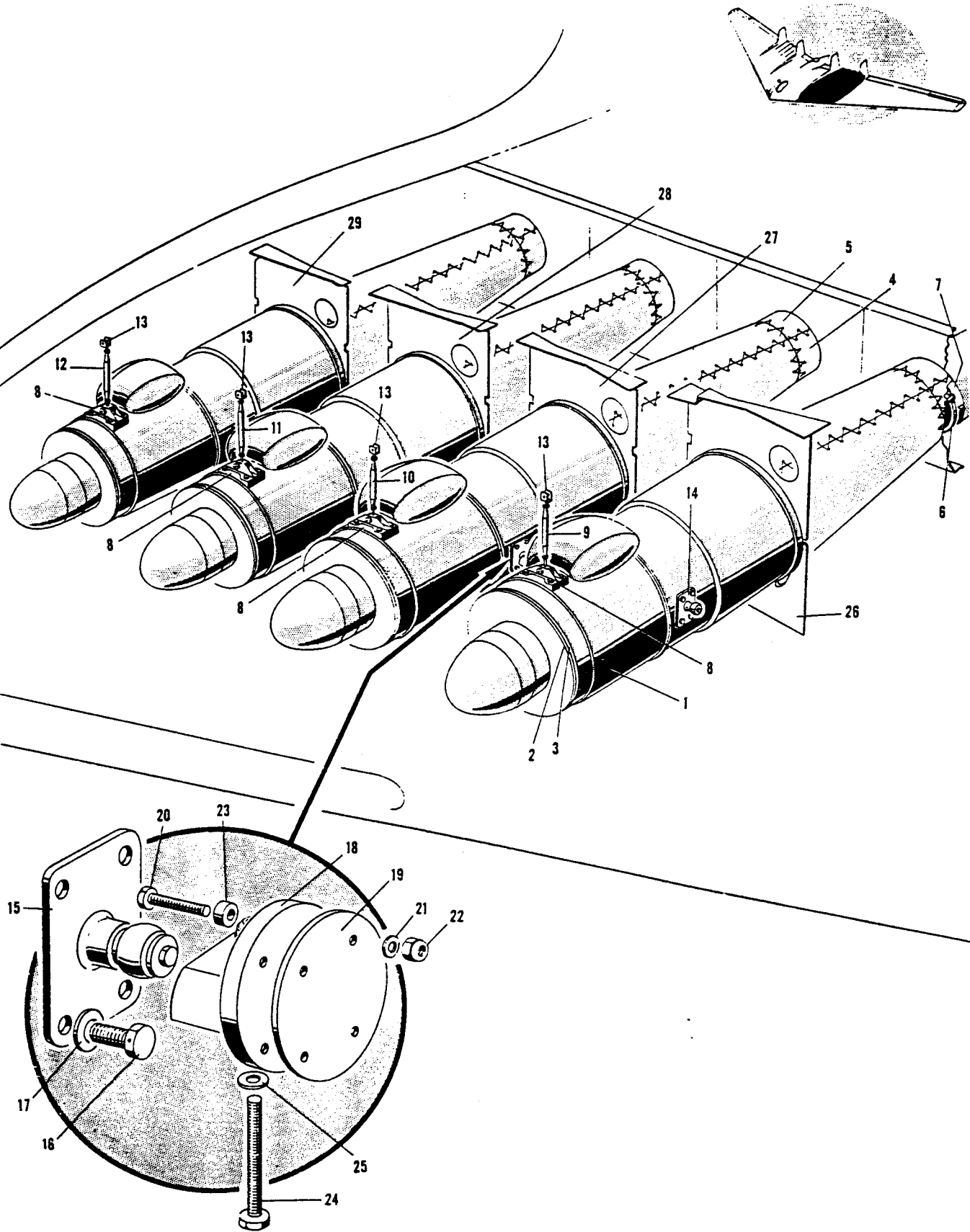


FIGURE 115—YB-49 POWER PLANT COMPLETE

RESTRICTED

POWER PLANT GROUP
YB-49 DEMOUNTABLE ENGINE ASSEMBLY

FIGURE & INDEX NUMBER	PART NUMBER	1	2	3	4	5	6	7	NOMENCLATURE	UNITS PER ASSEM	USAGE CODE
	557010								Engine Assembly—Demountable (For next assembly see page 213).....	1	DE
	557016								Oil System Installation—Engine (For next assembly see page 216).....	NP	DE
116 - 1	TG180A7								Turbine—Aircraft gas (GFP).....	8	D
	J35A15								Turbine—Aircraft gas (GFP).....	8	E
2	559972								Shroud Installation—Combustion section.....	NP	DE
	559972-2								Panel Assembly—Combustion section top.....	1	DE
	559972-4								Panel Assembly—Combustion section LH.....	1	DE
	559972-5								Panel Assembly—Combustion section RH.....	1	DE
	559972-6								Panel Assembly—Combustion section bottom.....	1	DE
	559972-12								Drain Assembly—Combustion section.....	1	DE
	559972-10								Access Assembly—Combustion section.....	1	DE
	3201120								Hose—(ARW).....	1	DE
	559972-64								Tube—Combustion section.....	1	DE
	559972-14								Outlet Assembly—Combustion section.....	1	DE
	559972-66								Cover—Combustion section.....	1	DE
	559357								Flowmeter Installation—Engine fuel.....	NP	DE
3	21156								Flowmeter Transmitter—Type H1 (REVERE COMPANY, Wallingford, Conn.).....	1	DE
4	AN6264-10D22								Hose Assembly—Detachable end fitting type swivel fittings medium high pressure fuel, oil and hydraulic.....	1	DE
5	AN6264-10D24								Hose Assembly—Detachable end fitting type swivel fittings medium high pressure fuel, oil and hydraulic.....	1	DE
	461885								Shield—Turbo jet insulating blanket.....	8	DE
	558477								Drain Installation—Engine.....	NP	DE
6	558477-2								Trap Assembly—Engine drain.....	1	DE
7	3201110								Hose—(AWR).....	1	DE
8	A3122-1829								Clamp—(TIN).....	2	DE
	558477-4								Outlet Assembly—Engine drain.....	1	DE
	560502								Drain Installation—Forward engine.....	NP	DE
9	351-6-22								Hose Assembly—(AQ).....	1	DE
10	351-6-24								Hose Assembly—(AQ).....	1	DE
11	351-4-33								Hose Assembly—(AQ).....	1	DE
12	560433								Duct Installation—Compressor leakage.....	NP	DE
	560433-2								Duct Assembly—Compressor leakage.....	1	DE
	560433-3								Duct Assembly—Compressor leakage.....	1	DE
	558283								Electrical Installation—Demountable engine.....	NP	DE
13	AN5525-2								Bulb—Electrical resistance type thermometer (GFP).....	1	DE
14	L543-4								Lead Assembly—Thermocouple (LEN).....	1	DE
15	460639								Cable Assembly—Engine disconnect receptacles to engine starter.....	1	DE
16	458359								Cable Assembly—Engine instrument disconnect plug to engine plug and oil temperature bulb.....	1	DE
	557777								Bracket Installation—Engine hoist roller and lift.....	NP	DE
17	557777-10								Bracket Assembly—Engine hoist roller and lift.....	4	DE
18	557777-14								Roller Assembly—Engine hoist roller and lift.....	2	DE
	258320								Pivot—Roller Assembly.....	1	DE
	K8AR4								Roller—Track.....	1	DE
	258319								Stud—Engine hoist link.....	2	DE
19	557198								Coupling Assembly—Ram air duct.....	8	DE
	557012								Fairing Installation—Engines and accessories.....	NP	DE
	558294								Fairing Installation—Engines and accessories.....	NP	DE
20	No Number								Bracket Assembly—TG180A7 filter support (ED 50498-2).....	8	D
	No Number								Bracket—TG180A11 filter support (No. 8469773).....	8	E
21	557062-210								Shrouding—Engine and tail pipe.....	8	DE
22	35913-10								Cone—Half (HI THOMPSON COMPANY).....	8	DE
23	35913-2								Cone—Half (HI THOMPSON COMPANY).....	8	DE
24	459018								Adapter Assembly—Engine tailpipe quick disconnect.....	1	D
	460710								Adapter Assembly—Engine tailpipe quick disconnect.....	1	E
25	T8494291								Starter—Model 2CM74B1 (GFP).....	8	DE
	AN6264-12-762								Hose Assembly—Detachable end fitting type swivel fittings medium high pressure fuel.....	8	DE
	AN6264-10-912								Hose Assembly—Detachable end fitting type swivel fittings medium high pressure fuel.....	8	DE
	AN6264-16-4625								Hose Assembly—Detachable end fitting type swivel fittings medium high pressure fuel.....	8	DE
	AN6264-4-16								Hose Assembly—Detachable end fitting type swivel fittings medium high pressure fuel.....	8	DE
	AN6264-6-2050								Hose Assembly—Detachable end fitting type swivel fittings medium high pressure fuel.....	8	DE
	AN6264-4-1350								Hose Assembly—Detachable end fitting type swivel fittings medium high pressure fuel.....	8	DE
	AN6264-4-16								Hose Assembly—Detachable end fitting type swivel fittings medium high pressure fuel.....	8	DE
	AN6264-4-27								Hose Assembly—Detachable end fitting type swivel fittings medium high pressure fuel.....	8	DE
	AN6264-6-11								Hose Assembly—Detachable end fitting type swivel fittings medium high pressure fuel.....	8	DE
	AN6264-6-825								Hose Assembly—Detachable end fitting type swivel fittings medium high pressure fuel.....	8	DE
	AN6264-4-850								Hose Assembly—Detachable end fitting type swivel fittings medium high pressure fuel.....	8	DE
	AN6264-4-1350								Hose Assembly—Detachable end fitting type swivel fittings medium high pressure fuel.....	8	DE
	AN6264-6-1225								Hose Assembly—Detachable end fitting type swivel fittings medium high pressure fuel.....	8	DE
	AN6264-4-18								Hose Assembly—Detachable end fitting type swivel fittings medium high pressure fuel.....	8	DE
	AN6264-6-950								Hose Assembly—Detachable end fitting type swivel fittings medium high pressure fuel.....	8	DE
	AN6264-4-10								Hose Assembly—Detachable end fitting type swivel fittings medium high pressure fuel.....	8	DE

POWER PLANT GROUP

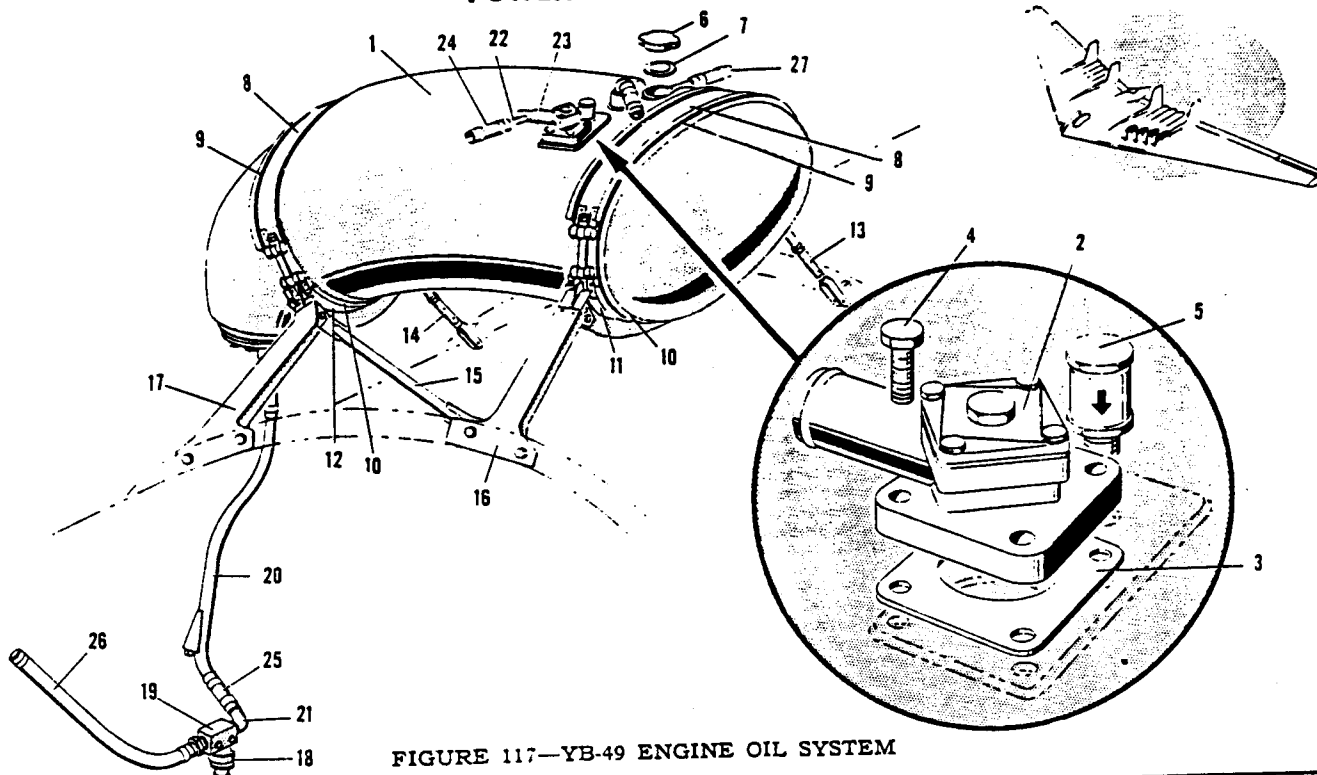


FIGURE 117—YB-49 ENGINE OIL SYSTEM

YB-49 ENGINE OIL SYSTEM

FIGURE & INDEX NUMBER	PART NUMBER	NOMENCLATURE	UNITS PER ASSEM	USAGE CODE
		1 2 3 4 5 6 7		
		Oil System Installation—Engine (For next assembly see page 215)	NP	DE
		Tank Installation—Engine oil	NP	DE
117 - 1	557016	Tank Assembly—Oil	1	DE
2	557495	Valve—(SAC)	1	DE
3	SA4535	Gasket—(SAC)	4	DE
4	AN75A7	Bolt—Drilled head 5/16	1	DE
5	525LFG1-2D	Valve—(PA)	1	DE
6	42B3581	Cap Assembly	1	DE
7	257256	Gasket—Oil tank outlet	2	DE
8	213253	Strap Assembly—Engine oil (MAR)	2	DE
9	557495-56	Cushion—Engine oil	2	DE
10	557495-48	Cushion—Engine oil	1	DE
11	557495-28	Cradle Assembly—Engine oil	1	DE
12	557495-36	Cradle Assembly—Engine oil	4	DE
	SA4521-16	Bolt—Tee (MAR)	1	DE
13	557495-42	Support Assembly—Engine oil	1	DE
14	557495-50	Support Assembly—Engine oil	4	DE
	AN4-7	Bolt—Aircraft 1/4-28	8	DE
	AN960-416C	Washer—Plain	4	DE
	AN310-4	Nut—Aircraft castle	2	DE
	AN46-12	Bolt—Eye 3/8-24	1	DE
15	557495-2	Sway Brace Assembly—Engine oil	1	DE
16	557495-10	Support Assembly—Engine oil	1	DE
17	557495-18	Support Assembly—Engine oil	2	DE
	AN3-5A	Bolt—Aircraft 10-32	2	DE
	AN76-13	Bolt—Drilled head 3/8	4	DE
	AN960-10C	Washer—Plain	2	DE
	AN364-1032	Nut—Self locking thin	1	DE
18	K1625B	Valve—Drain (KOE)	1	DE
19	257728	Fitting—Oil system drain	2	DE
	AN3-17A	Bolt—Aircraft 10-32	2	DE
	AN365-1032	Nut—Self locking	1	DE
20	557016-2	Tube—Engine oil	1	DE
21	AN842-12	Elbow—Pipe thread hose 90°	1	DE
22	557016-28	Fitting—Engine oil	2	DE
23	AN878-16-12	Hose—Oil and coolant synthetic	4	DE
24	AN878-8-12	Hose—Oil and coolant synthetic	1	DE
25	AN878-10-12	Hose—Oil and coolant synthetic	1	DE
26	AN878-12-56	Hose—Oil and coolant synthetic	1	DE
27	AN878-6-12	Hose—Oil and coolant synthetic	2	DE
	AN840-12	Adapter—Hose to pipe thread	1	DE
	AN842-8	Elbow—Pipe thread hose 90°	8	DE
	AN748-30	Clamp—Hose	2	DE
	AN748-26	Clamp—Hose	6	DE
	AN748-38	Clamp—Hose	2	DE
	AN742-8C	Clamp—Loop type support		

POWER PLANT GROUP
YB-49 POWER PLANT COMPLETE

FIGURE & INDEX NUMBER	PART NUMBER	NOMENCLATURE							UNITS PER ASSEM	USAGE CODE
		1	2	3	4	5	6	7		
	557001	Power Plant Installation—Complete (For next assembly see page 13)							NP	DE
	557002	Engine Installation—Complete No. 1 to No. 8							NP	DE
115 - 1	557010	Engine Assembly—Demountable (For detail breakdown see page 215)							1	DE
		Attaching Parts								
2	41870-10	Clamp—(MAR)							8	DE
3	41870-12	Clamp—(MAR)							8	DE
4	35913-6	Band—(H. I. Thompson Co.)							8	DE
5	35913-12	Band—(H. I. Thompson Co.)							8	DE
6	H022000000	Clamp Assembly—(SLM)							8	D
	H056000000	Clamp Assembly—(SLM)							8	E
7	4750S2250FH	Clamp—(MAR)							8	DE
	557014	Mount Installation—Forward engine							NP	DE
8	557014-2	Base—Forward engine mount							1	DE
		Attaching Parts								
	AN8H6	Bolt—Aircraft (1/2-20)							32	DE
	AN960-816	Washer—Plain							32	DE
9	557014-10	Tube—Engine No. 1 and No. 8							2	DE
10	557014-40	Tube—Engine No. 2 and No. 7							2	DE
11	557014-42	Tube—Engine No. 3 and No. 6							2	DE
12	557014-44	Tube—Engine No. 4 and No. 5							2	DE
13	557014-12	Fork—Engine mount							16	DE
	AN316-4R	Nut—Aircraft check							16	DE
	557014-46	Bolt—(Make from AN8-15 Bolt)							16	DE
	AN960-816	Washer—Plain							16	DE
	AN310-8	Nut—Aircraft castle							16	DE
	AN393-25	Pin—Clevis							16	DE
	556993	Trunnion Installation—Engine mount							NP	DE
14	556993-24	Mounting Assembly—Fixed							1	DE
15	556993-26	Mounting Assembly—Expansion							1	DE
16	556993-4	Bolt—Engine mount trunnion							8	DE
17	AN960-816	Washer—Plain							8	DE
18	556993-28	Mounting Assembly—Rib mould							1	DE
19	556993-34	Shim—Engine mount trunnion							1	DE
20	AN5-21A	Bolt—Aircraft 5/16-24							8	DE
21	AN960-516	Washer—Plain							16	DE
22	AN365-524	Nut—Self locking							8	DE
23	556993-16	Washer—Engine mount trunnion							8	DE
24	556993-32	Bolt—Engine mount trunnion							2	DE
25	AN960-616	Washer—Plain							2	DE
26	557480	Firewall Installation—Engine No. 1							NP	DE
	557480-1	Firewall Installation—Engine No. 8							NP	DE
	557480-2	Firewall Assembly—Upper LH							1	DE
	557480-3	Firewall Assembly—Upper RH							1	DE
	557480-4	Firewall Assembly—Lower outboard LH							1	DE
	557480-5	Firewall Assembly—Lower outboard RH							1	DE
	557480-6	Firewall Assembly—Lower inboard LH							1	DE
	557480-7	Firewall Assembly—Lower inboard RH							NP	DE
	560257	Seal Installation—Firewall							NP	DE
27	557608	Firewall Installation—Engine No. 2							NP	DE
	557608-1	Firewall Installation—Engine No. 7							NP	DE
	557608-2	Firewall Assembly—Inboard LH							1	DE
	557608-3	Firewall Assembly—Inboard RH							1	DE
	557608-4	Firewall Assembly—Outboard LH							1	DE
	557608-5	Firewall Assembly—Outboard RH							1	DE
	557608-6	Firewall Assembly—Upper LH							1	DE
	557608-7	Firewall Assembly—Upper RH							1	DE
	560257	Seal Installation—Firewall							NP	DE
28	557015	Firewall Installation—Engine No. 3							NP	DE
	557015-1	Firewall Installation—Engine No. 6							NP	DE
	557015-2	Firewall Assembly—Lower inboard LH							1	DE
	557015-3	Firewall Assembly—Lower inboard RH							1	DE
	557015-4	Firewall Assembly—Lower outboard LH							1	DE
	557015-5	Firewall Assembly—Lower outboard RH							1	DE
	557015-44	Firewall Assembly—Upper LH							1	DE
	557015-45	Firewall Assembly—Upper RH							1	DE
	560257	Seal Installation—Firewall							NP	DE
29	557594	Firewall Installation—Engine No. 4							NP	DE
	557594-1	Firewall Installation—Engine No. 5							NP	DE
	557594-2	Firewall Assembly—Upper LH							1	DE
	557594-3	Firewall Assembly—Upper RH							1	DE
	557594-4	Firewall Assembly—Lower outboard LH							1	DE
	557594-5	Firewall Assembly—Lower outboard RH							1	DE
	557594-6	Firewall Assembly—Lower inboard LH							1	DE
	557594-7	Firewall Assembly—Lower inboard RH							1	DE
	560257	Seal Installation—Firewall							NP	DE
	557017	Tail Pipe Installation—Engine (For detail breakdown see page 217)							1	DE
	574075	Fuel System Installation—Complete LH (For detail breakdown see page 218)							NP	DE
	574076	Fuel System Installation—Complete RH (For detail breakdown see page 218)							NP	DE
	557003	Ducts Installation—Engine cooling air (For detail breakdown see page 232)							NP	DE

RESTRICTED
AN 01-15EAA-4
POWER PLANT GROUP

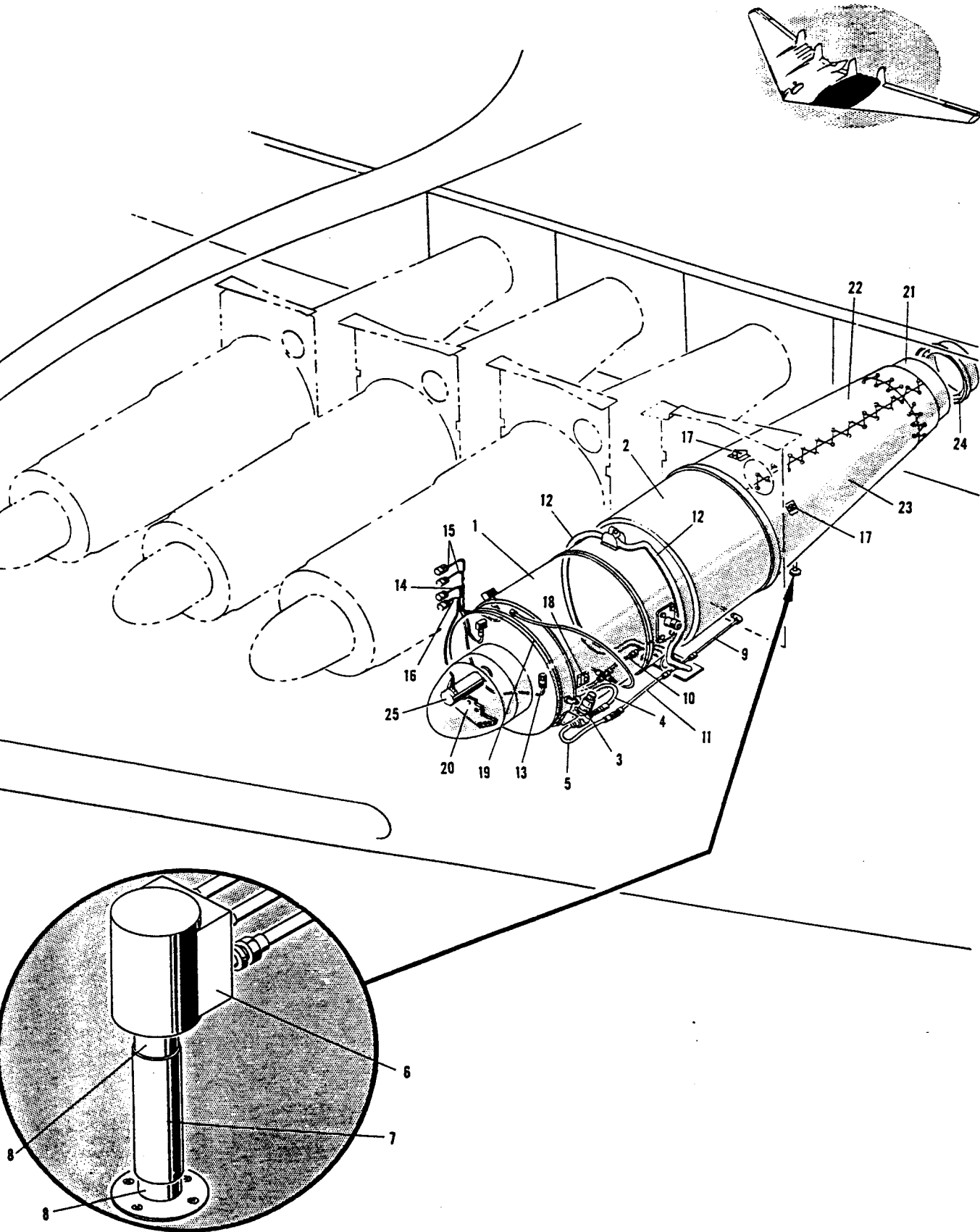


FIGURE 116—YB-49 DEMOUNTABLE ENGINE ASSEMBLY

RESTRICTED

POWER PLANT GROUP

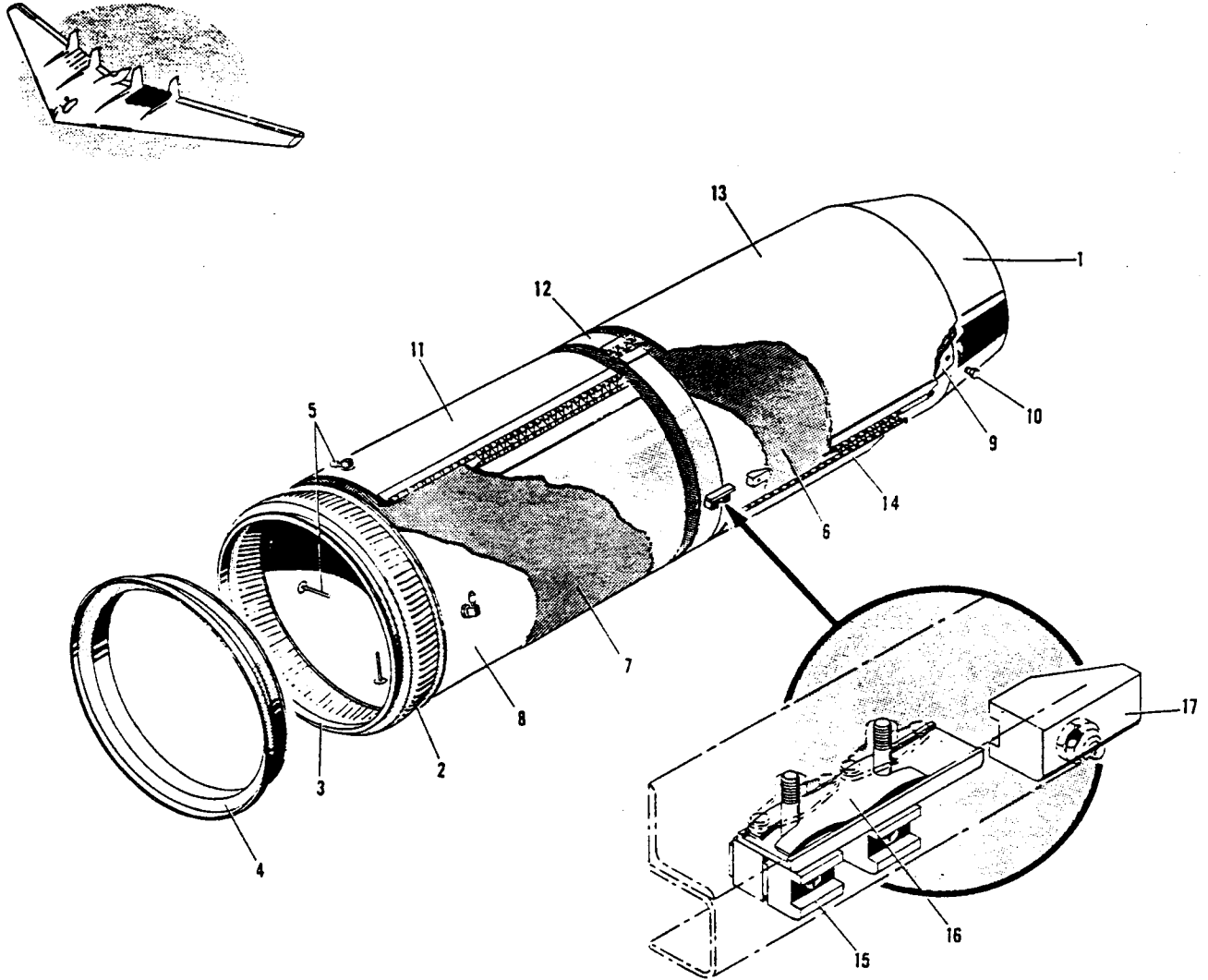


FIGURE 118—YB-49 ENGINE TAIL PIPE

YB-49 ENGINE TAIL PIPE

FIGURE & INDEX NUMBER	PART NUMBER	1	2	3	4	5	6	7	NOMENCLATURE	UNITS PER ASSEM	USAGE CODE
	557017								Tailpipe Installation—Engine (For next assembly see page 213)	NP	DE
	557017-2								Tailpipe Assembly—Complete engine	8	DE
118 - 1	557435								Tailpipe Assembly—Engine exhaust	1	D
	560711								Tailpipe Assembly—Engine exhaust	1	E
2	558836								Connection Assembly—Engine tailpipe flexible	1	D
	560712								Connection Assembly—Engine tailpipe flexible	1	E
3	H021000001								Flange—(SAC)	1	DE
4	8T1150-20								Adapter—(LEN) (Furnished with 8T1150B3)	4	DE
5	8T1150B3								Thermocouple Assembly—(LEN)	4	DE
6	N35913-4								Blanket—(H. I. THOMPSON, L.A.)	1	DE
7	N35913-8								Blanket—(H. I. THOMPSON, L.A.)	1	DE
	557062-214								Shroud Installation—Engine and tailpipe	NP	DE
8	557062-122								Shroud Assembly—Tailpipe forward spotwelded	1	DE
9	557062-134								Shroud Assembly—Tailpipe aft spotwelded	1	DE
10	557062-226								Bolt—Tailpipe shroud special	1	DE
	560392								Wrapper Installation—Tailpipe	NP	DE
11	560392-2								Panel Assembly—Forward	2	DE
12	560392-4								Panel Assembly—Center	2	DE
13	560392-6								Panel Assembly—Aft	1	DE
14	560392-8								Panel Assembly—Aft	1	DE
15	458990								Block Assembly—Engine tailpipe	16	DE
16	257886								Spring—Engine exhaust tailpipe pressure plate	16	DE
17	259408								Block—Engine tailpipe trunnion safety stop LH	8	DE
	259408-1								Block—Engine tailpipe trunnion safety stop RH	8	DE

POWER PLANT GROUP

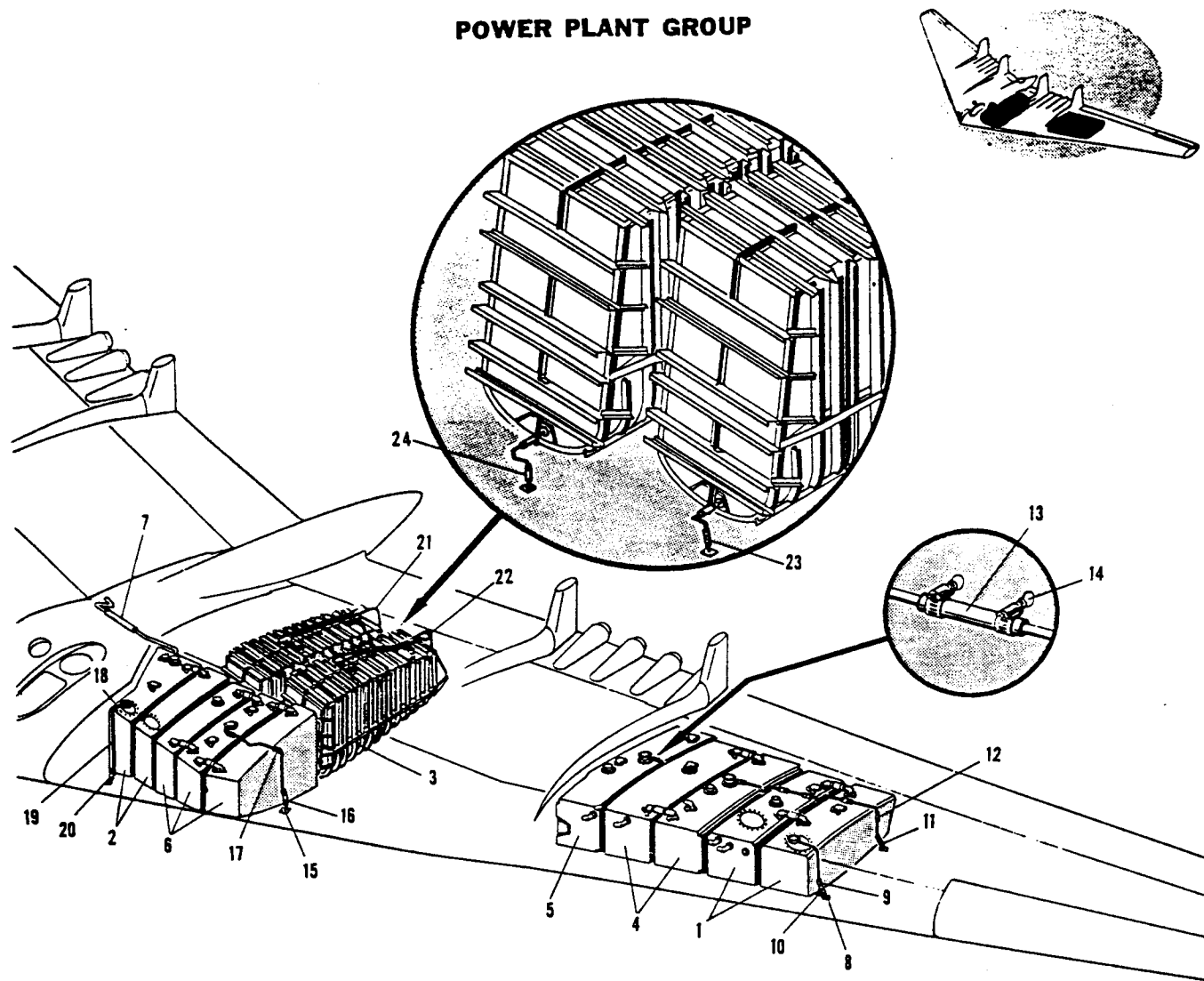


FIGURE 119—YB-49 POWER PLANT FUEL SYSTEM

POWER PLANT FUEL SYSTEM

FIGURE & INDEX NUMBER	PART NUMBER	NOMENCLATURE	UNITS PER ASSEM	USAGE CODE
119 - 1	574075	Fuel System Installation—Complete LH (For next assembly see page 213)	NP	DE
	574076	Fuel System Installation—Complete RH (For next assembly see page 213)	NP	DE
	No Number	Tank Installation—Main outboard outer wing LH (For detail breakdown see page 221) (See YB-49 Engineering Orders on YB-35 Drawing 593006)	NP	DE
	No Number	Tank Installation—Main outboard outer wing RH (For detail breakdown see page 221) (See YB-49 Engineering Orders on YB-35 Drawing 593005)	NP	DE
	2	Tank Installation—Main inboard center wing LH (For detail breakdown see page 221) (See YB-49 Engineering Orders on YB-35 Drawing 593002)	NP	DE
	No Number	Tank Installation—Main inboard center wing RH (For detail breakdown see page 221) (See YB-49 Engineering Orders on YB-35 Drawing 593001)	NP	DE
	3	Tank Installation—Bomb bay fuel (For detail breakdown see page 223)	NP	DE
	4	Tank Installation—Outer wing No. 5 auxiliary fuel LH (For detail breakdown see page 224)	NP	DE
	5	Tank Installation—Outer wing No. 10 auxiliary fuel RH (For detail breakdown see page 224)	NP	DE
	6	Tank Installation—Outboard No. 6 auxiliary fuel LH (For detail breakdown see page 227)	NP	DE
7	574083	Tank Installation—Outboard No. 9 auxiliary fuel RH (For detail breakdown see page 227)	NP	DE
	574084	Tank Installation—Auxiliary inboard No. 7 fuel LH (For detail breakdown see page 229)	NP	DE
	574085	Tank Installation—Auxiliary inboard No. 8 fuel RH (For detail breakdown see page 229)	NP	DE
	574086	Backing Installation—Fuel tank No. 1 fiberglass LH	NP	DE
	588971	Backing Installation—Fuel tank No. 4 fiberglass RH	NP	DE
	588972	Backing Installation—No. 2 fuel tank fiberglass LH	NP	DE
	593093	Backing Installation—No. 3 fuel tank fiberglass RH	NP	DE
	593094	Backing Installation—No. 3 fuel tank fiberglass RH	NP	DE
	556472	Line Installation—Cross feed fuel (For detail breakdown see page 123)	NP	DE
	492933	Drain Installation—No. 1 fuel tank scupper LH	NP	DE
8	492934	Drain Installation—No. 4 fuel tank scupper RH	NP	DE
	292930	Outlet Assembly—No. 1 and No. 4 fuel tank scupper	1	DE
9	AN884-4-30	Hose—Aromatic resistant synthetic	1	DE

POWER PLANT GROUP
YB-49 POWER PLANT FUEL SYSTEM

FIGURE & INDEX NUMBER	PART NUMBER	NOMENCLATURE	UNITS PER ASSEM	USAGE CODE
119 - 10	292935	Clip—No. 1 and No. 4 fuel tank scupper drain	1	DE
	574175	Drain Installation—Outer wing fuel tank No. 5 fuel filler LH	NP	DE
11	574176	Drain Installation—Outer wing fuel tank No. 10 fuel filler RH	NP	DE
	AN884-4-22	Hose—Aromatic resistant synthetic	1	DE
12	AN884-4-15	Hose—Aromatic resistant synthetic	5	DE
	574187	Drain Installation—Outer wing fuel tank No. 6 filler LH	NP	DE
13	574188	Drain Installation—Outer wing fuel tank No. 9 filler RH	NP	DR
	AN884-4-15	Hose—Aromatic resistant synthetic	3	DE
14	AN748-22	Clamp—Hose	6	DE
	574197	Drain Installation—Center wing fuel tank No. 7 fuel filler LH	NP	DE
15	574198	Drain Installation—Center wing fuel tank No. 8 fuel filler RH	NP	DE
	292930	Outlet Assembly—Fuel tank scupper	1	DE
16	AN884-4-25	Hose—Aromatic resistant synthetic	2	DE
	AN884-4-15	Hose—Aromatic resistant synthetic	NP	DE
17	593085	Drain Installation—No. 2 fuel tank scupper LH	NP	DE
	593086	Drain Installation—No. 3 fuel tank scupper RH	1	DE
18	293077	Tube Assembly—Fuel tank aft section scupper drain	1	DE
	292943	Tube Assembly—No. 3 fuel tank aft section scupper drain RH	1	DE
19	293078	Tube Assembly—No. 3 fuel tank scupper drain	1	DE
	293079	Tube Assembly—No. 2 fuel tank forward section scupper drain	1	DE
20	293080	Tube Assembly—No. 3 fuel tank forward section scupper drain	1	DE
	AN884-4-15	Hose—Aromatic resistant synthetic	1	DE
21	AN884-4-12	Hose—Aromatic resistant synthetic RH	1	DE
	AN884-4-20	Hose—Aromatic resistant synthetic LH	6	DE
22	AN884-4-18	Clamp—(MURRAY CORP., Towson, Md.)	NP	DE
	AC0	Venting Installation—No. 3 bomb bay fuel tanks LH	NP	DE
23	579781	Venting Installation—No. 6 bomb bay fuel tanks RH	1	DE
	579782	Tube—No. 3 bomb bay fuel tanks LH	1	DE
24	579781-1	Tube—No. 6 bomb bay fuel tanks RH	2	DE
	579782-1	Tube—No. 3 bomb bay fuel tanks LH	1	DE
25	579781-2	Tube—No. 6 bomb bay fuel tanks RH	1	DE
	579782-2	Tube—No. 3 bomb bay fuel tanks LH	1	DE
26	579781-3	Tube—No. 6 bomb bay fuel tanks RH	1	DE
	579782-3	Tube—No. 3 bomb bay fuel tanks LH	1	DE
27	579781-4	Tube—No. 6 bomb bay fuel tanks RH	1	DE
	579782-4	Tube—No. 3 bomb bay fuel tanks LH	1	DE
28	579781-5	Tube—No. 6 bomb bay fuel tanks RH	1	DE
	579782-5	Tube—No. 3 bomb bay fuel tanks LH	1	DE
29	579781-6	Tube—No. 6 bomb bay fuel tanks RH	1	DE
	579782-6	Tube—No. 3 bomb bay fuel tanks LH	2	DE
30	579781-7	Tube—No. 6 bomb bay fuel tanks RH	1	DE
	579782-7	Tube—No. 3 bomb bay fuel tanks LH	8	DE
31	579782-8	Hose—Aromatic resistant synthetic	NP	DE
	AN884-16-15	Venting Installation—No. 2 bomb bay fuel tanks LH	NP	DE
32	579783	Venting Installation—No. 7 bomb bay fuel tanks RH	1	DE
	579784	Tube—No. 2 bomb bay fuel tank LH	1	DE
33	579783-1	Tube—No. 7 bomb bay fuel tank RH	1	DE
	579784-1	Tube—No. 2 bomb bay fuel tank LH	1	DE
34	579783-2	Tube—No. 7 bomb bay fuel tank RH	1	DE
	579784-2	Tube—No. 2 bomb bay fuel tank LH	1	DE
35	579783-3	Tube—No. 7 bomb bay fuel tank RH	1	DE
	579784-3	Tube—No. 2 bomb bay fuel tank LH	1	DE
36	579783-4	Tube—No. 7 bomb bay fuel tank RH	1	DE
	579784-4	Tube—No. 2 bomb bay fuel tank LH	1	DE
37	579783-5	Tube—No. 7 bomb bay fuel tank RH	1	DE
	579784-5	Tube—No. 2 bomb bay fuel tank LH	1	DE
38	579783-6	Tube—No. 7 bomb bay fuel tank RH	1	DE
	579784-6	Tube—No. 2 bomb bay fuel tank LH	1	DE
39	579783-7	Tube—No. 7 bomb bay fuel tank RH	1	DE
	579784-7	Tube—No. 2 bomb bay fuel tank LH	1	DE
40	579783-8	Tube—No. 7 bomb bay fuel tank RH	1	DE
	579784-8	Tube—No. 2 bomb bay fuel tank LH	1	DE
41	579783-9	Tube—No. 7 bomb bay fuel tank RH	1	DE
	579784-9	Tube—No. 2 bomb bay fuel tank LH	NP	DE
42	577263	Outlet Installation—Bomb bay No. 2 fuel tank drain LH	NP	DE
	577264	Outlet Installation—Bomb bay No. 7 fuel tank drain RH	1	DE
43	177343	Outlet Assembly—Bomb bay No. 2 and 4 fuel tank drain	1	DE
	277345	Tube—Bomb bay No. 2 fuel tank drain	1	DE
44	277346	Tube—Bomb bay No. 7 fuel tank drain	2	DE
	AN884-4-20	Hose—Aromatic resistant synthetic	1	DE
45	AN884-4-26	Hose—Aromatic resistant synthetic	NP	DE
	577265	Outlet Installation—Bomb bay No. 3 fuel tank drain LH	NP	DE
46	577266	Outlet Installation—Bomb bay No. 6 fuel tank drain RH	1	DE
	177343	Outlet Assembly—Bomb bay fuel tank drain	1	DE
47	277365	Tube—Bomb bay No. 3 fuel tank drain outlet	1	DE
	277366	Tube—Bomb bay No. 6 fuel tank drain outlet	1	DE
48	AN884-4-19	Hose—Aromatic resistant synthetic	1	DE
	AN884-4-51	Hose—Aromatic resistant synthetic	NP	DE
49	579737	Piping Installation—Outer wing fuel tanks vent LH (For detail breakdown see page 230)	NP	DE
	579738	Piping Installation—Outer wing fuel tanks vent RH (For detail breakdown see page 230)	NP	DE
50	579807	Piping Installation—Outer wing fuel system LH (For detail breakdown see page 230)	NP	DE
	579808	Piping Installation—Outer wing fuel system RH (For detail breakdown see page 230)	NP	DE
51	579739	Piping Installation—Center wing fuel system LH (For detail breakdown see page 230)	NP	DE
	579740	Piping Installation—Center wing fuel system RH (For detail breakdown see page 230)	NP	DE
52	574163	Piping Installation—Center wing fuel tank vent LH (For detail breakdown see page 230)	NP	DE
	574164	Piping Installation—Center wing fuel tank vent RH (For detail breakdown see page 230)	NP	DE

RESTRICTED
AN 01-15EAA-4
POWER PLANT GROUP

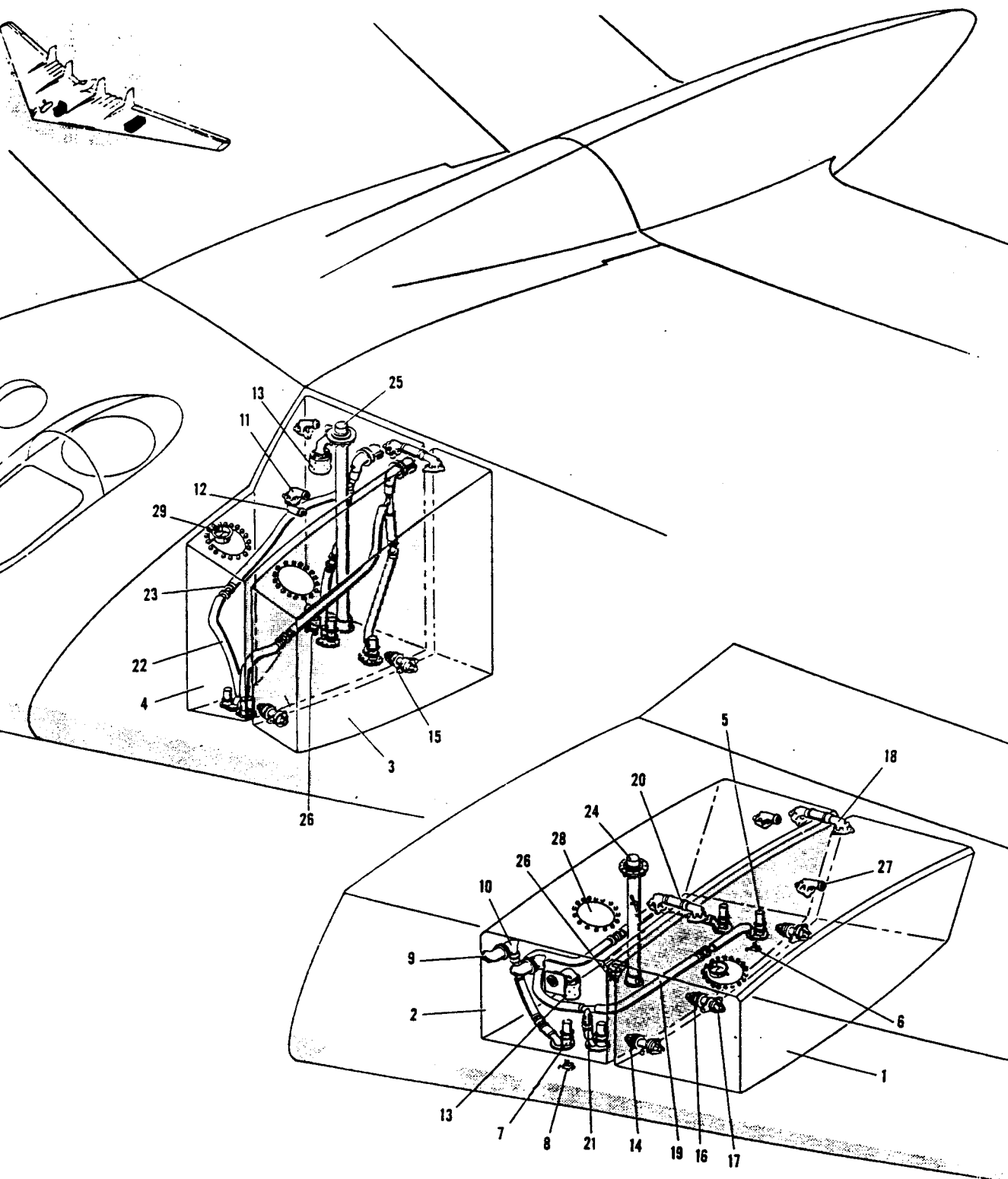


FIGURE 120—MAIN OUTBOARD AND INBOARD FUEL TANKS

RESTRICTED

POWER PLANT GROUP
MAIN OUTBOARD AND INBOARD FUEL TANKS

FIGURE & INDEX NUMBER	PART NUMBER	NOMENCLATURE						UNITS PER ASSEM	USAGE CODE
		1	2	3	4	5	6		
	No Number	Tank Installation—Main outboard outer wing (For next assembly see page 218) (See YB-49 Engineering Orders on YB-35 Drawing 593006)						NP	DE
	No Number	Tank Installation—Main outboard outer wing (For next assembly see page 218) (See YB-49 Engineering Orders on YB-35 Drawing 593005)						NP	DE
	No Number	Tank Installation—Main inboard center wing LH (For next assembly see page 218) (See YB-49 Engineering Orders on YB-35 Drawing 593002)						NP	DE
	No Number	Tank Installation—Main inboard center wing RH (For next assembly see page 218) (See YB-49 Engineering Orders on YB-35 Drawing 593001)						NP	DE
120 - 1	574087	Cell—No. 1A self sealing fuel LH						1	DE
	574088	Cell—No. 4A self sealing fuel RH						1	DE
2	574089	Cell—No. 1B self sealing fuel LH						1	DE
	574090	Cell—No. 4B self sealing fuel RH						1	DE
3	579605	Cell—No. 2A self sealing fuel LH						1	DE
	579606	Cell—No. 3A self sealing fuel RH						1	DE
4	579607	Cell—No. 2B self sealing fuel LH						1	DE
	579608	Cell—No. 3B self sealing fuel RH						1	DE
	574209	Pumps Installation—Outer wing fuel tanks No. 1 aft booster LH						NP	DE
	574210	Pumps Installation—Outer wing fuel tanks No. 4 aft booster RH						NP	DE
	574067	Pumps Installation—Center wing fuel tank cells No. 2B outboard aft booster LH						NP	DE
	574068	Pumps Installation—Center wing fuel tank cells No. 3B outboard aft booster RH						NP	DE
5	B7776	Pump—(NASH ENGINEERING CO., South Norwalk, Conn.)						2	DE
	A4932GE32	Connector—Discharge (NASH ENGINEERING CO., South Norwalk, Conn.)						2	DE
	479624	Support—Fuel booster pump						4	DE
	288928	Gasket—Fuel tank booster pump						4	DE
6	W7600 7-16	Valve—Drain (WTR)						4	DE
	AN902-4	Gasket—Flared tube universal fitting						4	DE
	AN74A3	Bolt—Drilled head 1/4						24	DE
	AN74A4	Bolt—Drilled head 1/4						104	DE
	AN748-91	Clamp—Hose						4	DE
	574149	Pumps Installation—Outer wing fuel tanks No. 1 forward booster LH						NP	DE
	574150	Pumps Installation—Outer wing fuel tanks No. 4 forward booster RH						NP	DE
	574143	Pumps Installation—Center wing fuel tank No. 2 forward booster LH						NP	DE
	574157	Pumps Installation—Center wing fuel tanks No. 3 forward booster RH						NP	DE
7	B7776	Pump—(NASH ENGINEERING CO., South Norwalk, Conn.)						2	DE
	A4932G032	Connector—(NASH ENGINEERING CO., South Norwalk, Conn.)						2	DE
	461764	Fitting—Fuel tank booster pump						4	DE
	288928	Gasket—Fuel tank booster pump						4	DE
8	W7600 7-16	Valve—Drain (WTR)						4	DE
	AN902-4	Gasket—Flared tube universal fitting						4	DE
	AN748-91	Clamp—Hose						4	DE
	AN74A3	Bolt—Drilled head 1/4						24	DE
	AN74A5	Bolt—Drilled head 1/4						104	DE
	AN960-416	Washer—Plain						24	DE
	AN960A416L	Washer—Plain						104	DE
	574155	Outlets Installation—Outer wing fuel tanks No. 1 fuel LH						NP	DE
	574156	Outlets Installation—Outer wing fuel tanks No. 4 fuel RH						NP	DE
	574125	Outlet Installation—Center wing fuel tanks No. 2 fuel LH						NP	DE
	574126	Outlet Installation—Center wing fuel tanks No. 3 fuel RH						NP	DE
9	479830	Elbow—Main fuel tank outlet external						4	DE
10	479831	Elbow—Main fuel tank outlet internal						4	DE
	179832	Gasket—Fuel tank fuel outlet elbow						4	DE
	AN6227-8	Packing—"O" ring hydraulic						4	DE
	274173-2	Stud—Fuel tank interconnector						4	DE
	AN310-6	Nut—Aircraft castle						4	DE
	AN960D616	Washer—Plain						8	DE
	AN365-624	Nut—Self locking						4	DE
	574223	Outlet Installation—Center wing fuel tanks No. 2 forward vent LH						NP	DE
	574224	Outlet Installation—Center wing fuel tanks No. 3 forward vent RH						NP	DE
11	461765	Fitting—Fuel tank vent outlet						1	DE
12	293139	Fitting—Fuel tank internal vent						1	DE
	AN74A12	Bolt—Drilled head 1/4						4	DE
	AN960A416	Washer—Plain						4	DE
	AN525-10-8	Screw—Washer head						3	DE
	AN365-1032	Nut—Self locking						3	DE
	574207	Valve Installation—Outer wing fuel tanks No. 1 fuel level control LH						NP	DE
	574208	Valve Installation—Center wing fuel tanks No. 4 fuel level control RH						NP	DE
	574205	Valve Installation—Center wing fuel tank No. 2 fuel level control LH						NP	DE
	574206	Valve Installation—Center wing fuel tank No. 3 fuel level control RH						NP	DE
13	12-11452-7	Valve—Control (AS)						2	DE
	579827	Elbow—Fuel tank fuel level control inlet						2	DE
	Attaching Parts								
	AN74-15	Bolt—Drilled head 1/4						4	DE
	AN4-6A	Bolt—Aircraft 1/4-28						8	DE
	AN74-11	Bolt—Drilled head 1/4						12	DE
	AN960D416	Washer—Plain						24	DE
	AN960A512L	Washer—Plain						8	DE
	AN364D524	Nut—Self locking thin						8	DE
	574057	Interconnector Installation—Outer wing fuel tanks No. 1 forward fuel LH						NP	DE
	574058	Interconnector Installation—Outer wing fuel tanks No. 4 forward fuel RH						NP	DE
	574053	Interconnector Installation—Outer wing fuel tank No. 1 aft LH						NP	DE
	574054	Interconnector Installation—Outer wing fuel tank No. 4 aft RH						NP	DE
	574037	Interconnector Installation—Center wing tanks No. 2 forward fuel LH						NP	DE
	574038	Interconnector Installation—Center wing tanks No. 3 forward fuel RH						NP	DE
	574047	Interconnector Installation—Center wing tanks No. 2 aft fuel LH						NP	DE
	574048	Interconnector Installation—Center wing tanks No. 3 aft fuel RH						NP	DE
14	474171-3	Interconnector—Fuel tank floating fuel						1	DE
15	474171-4	Interconnector—Fuel tank floating fuel						1	DE
	474174	Spider—Fuel tank interconnector						2	DE

POWER PLANT GROUP
MAIN OUTBOARD AND INBOARD FUEL TANKS

FIGURE & INDEX NUMBER	PART NUMBER	1 2 3 4 5 6 7	NOMENCLATURE	UNITS PER ASSEM	USAGE CODE
			Attaching Parts		
	274173-8		Bolt—Fuel tank interconnector	1	DE
	274173-4		Bolt—Fuel tank interconnector	1	DE
	AN960A616		Washer—Plain	1	DE
	AN365-624		Nut—Self locking	1	DE
	AN310C6		Nut—Aircraft castle	1	DE
	574055		Interconnector Installation—Outer wing fuel tank No. 1 center LH	NP	DE
	574056		Interconnector Installation—Outer wing fuel tank No. 4 center RH	NP	DE
120 - 16	274172		Interconnector—Fuel tank floating fuel	1	DE
17	474174		Spider—Fuel tank interconnector	1	DE
	274173-8		Bolt—Fuel tank interconnector	1	DE
18	488963		Interconnector—No. 1 fuel tank vent LH	2	DE
	488964		Interconnector—No. 4 fuel tank vent RH	2	DE
	574225		Piping Installation—Outer wing fuel tanks No. 1 and No. 4 internal fuel LH	NP	DE
	574226		Piping Installation—Outer wing fuel tanks No. 1 and No. 4 internal fuel RH	NP	DE
19	574225-1 to -9		Hose—Outer wing tank No. 1 internal fuel LH	AR	DE
	574226-1 to -9		Hose—Outer wing tank No. 4 internal fuel RH	AR	DE
20	528-2		Valve—Check (PA)	4	DE
21	574225-10		Tee—Outer wing tank internal fuel LH	2	DE
	574226-10		Tee—Outer wing tank internal fuel RH	2	DE
	192640		Washer—Fuel and oil tank hanger seal	3	DE
	574221		Piping Installation—Center wing fuel tank No. 3 internal fuel and vent LH	NP	DE
	574222		Piping Installation—Center wing fuel tank No. 3 internal fuel and vent RH	NP	DE
22	574221-1 to -9		Hose—Center wing tank internal fuel LH	AR	DE
	574222-1 to -9		Hose—Center wing tank internal fuel RH	AR	DE
23	SP10-2144-75A		Valve—Check (PA)	4	DE
	AN749-91		Clamp—Hose	20	DE
24	8TJ18LAL		Transmitter—No. 1 and No. 4 tank fuel (GE)	1	DE
25	8TS18LAK		Transmitter—No. 2 and No. 3 tank fuel (GE)	1	DE
	B7776		Pump—No. 3 and No. 4 tank pump (NASH ENGINEERING CO., South Norwalk, Conn.)	1	DE
	292989		Fitting—Fuel tanks gage spacer on No. 10 and No. 4	1	DE
	292940		Fitting—Fuel tanks gage spacer on No. 2 and No. 3	1	DE
	A4932G024		Connector—(NASH ENGINEERING CO., South Norwalk, Conn.)	2	DE
	288928		Gasket—Fuel tank booster pump	2	DE
	457909		Valve Assembly—Fuel tank drain	2	DE
26	K1625B-A		Valve—Drain (KOE)	2	DE
	457908		Plate Assembly—Fuel tank drain valve	2	DE
27	461737		Outlet—No. 1 and No. 4 fuel tank vent	2	DE
	493082		Ring—Fuel tank scupper drain	2	DE
	293091		Fitting—Fuel tank spider	8	DE
	288932		Gasket—Fuel tank scupper ring	4	DE
	493020		Fitting—Fuel tank liquid level gage	2	DE
	293131		Gasket—Fuel tank liquid level gage	4	DE
	*No Number		Tube—Internal line No. 1 outboard tank left side	1	DE
	*No Number		Tube—Internal line No. 2 outboard tank right side	1	DE
	*No Number		Tube—Internal line No. 1 outboard tank left side	1	DE
	*No Number		Tube—Internal line No. 2 outboard tank right side	1	DE
	*No Number		Tube—Scupper drain line No. 1 outboard tank left side	1	DE
	*No Number		Tube—Scupper drain line No. 2 outboard tank right side	1	DE
	*No Number		Tube—Scupper drain line No. 1 outboard tank left side	1	DE
	*No Number		Tube—Scupper drain line No. 2 outboard tank right side	1	DE
	488940		Tube—No. 2 and No. 3 fuel tank internal vent	1	DE
	193051		Tube—No. 2 and No. 3 fuel tank vent interconnector	1	DE
	461765		Fitting—No. 2 and No. 3 fuel tank vent outlet	4	DE
	293139		Fitting—Fuel tank internal vent	4	DE
28	593123		Door—Fuel tank mareng SS filler and access	2	DE
29	593125		Door—Fuel tank mareng SS access	2	DE
	288994-10		Bolt Assembly—No. 1 and No. 4 fuel tanks access panel	6	DE
	AN74A5		Bolt—Drilled head 1/4 on No. 1 and No. 4 tanks	77	DE
	AN24A7		Bolt—Drilled head 1/4 on No. 2 and No. 3 tanks	30	DE
	WM239		Cap—Filler (AA)	2	DE
30	W7600 7-16		Valve—Drain (WTR)	2	DE
	AN884-24-160		Hose—Aromatic resistant synthetic No. 1 and No. 4 tanks	1	DE
	AN884-24-272		Hose—Aromatic resistant synthetic No. 2 and No. 3 tanks	1	DE
	QS100M24		Clamp—(AFT)	12	DE
	QS100M28		Clamp—(AFT)	4	DE
	192945		Seal—Fuel tank fuel outlet	2	DE
	192640		Washer—Fuel and oil tank hanger seal	155	DE
	192655		Washer—Oil and fuel tank seal No. 2 and No. 3 tank	1	DE

*See YB-49 Engineering Order No. 48974 on YB-35 Drawing 591003.

POWER PLANT GROUP

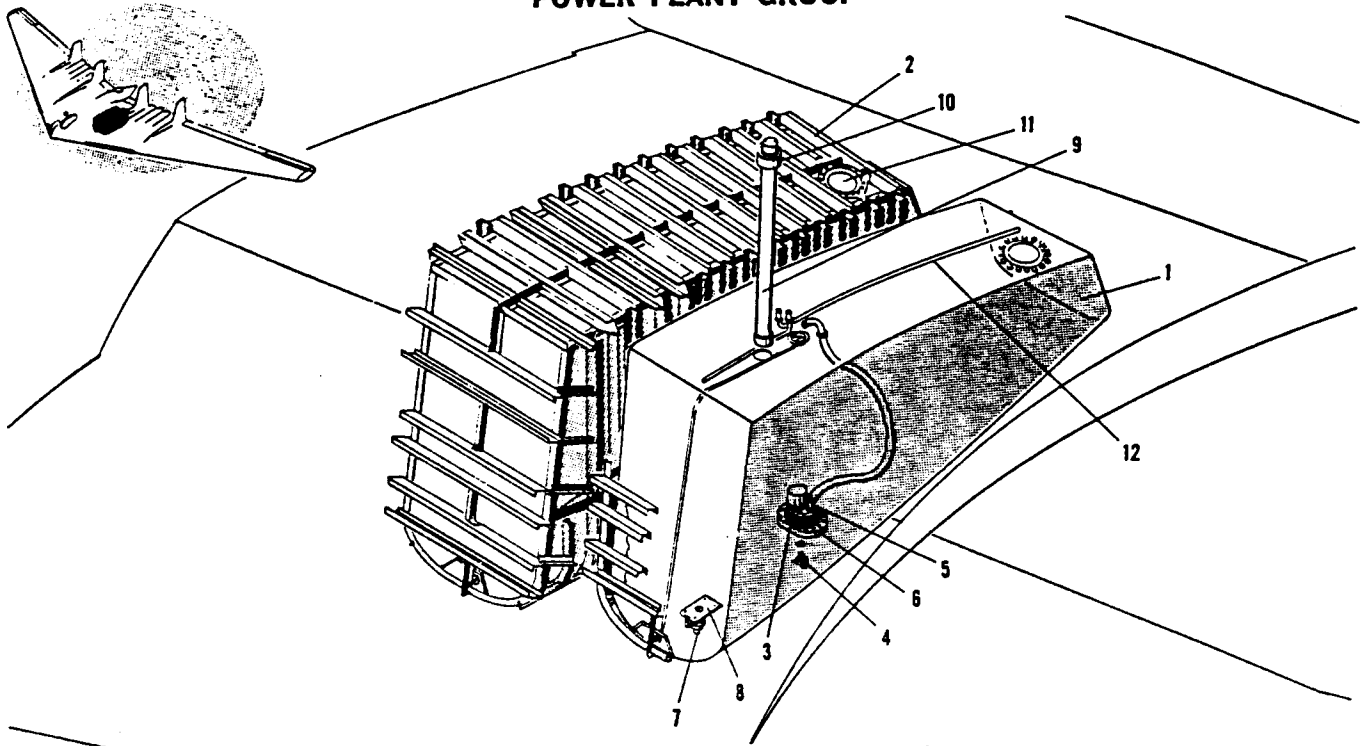


FIGURE 121—BOMB BAY FUEL TANKS

BOMB BAY FUEL TANKS

FIGURE & INDEX NUMBER	PART NUMBER	1	2	3	4	5	6	7	NOMENCLATURE	UNITS PER ASSEM	USAGE CODE
	574113								Tank Installation—Bomb bay fuel (For next assembly see page 218).....	NP	DE
	579647								Tank Assembly—Bomb bay fuel.....	4	DE
121 - 1	574107								Cell—Bomb bay fuel.....	1	DE
	FCB15296								Hanger—Snap (USR).....	11	DE
	FCB8630								Support—Hanger (USR).....	6	DE
	FCC20064								Ring Assembly—(USR).....	1	DE
	FCC20068								Ring Assembly—(USR).....	1	DE
	FCC20345								Fitting—(USR).....	1	DE
	FCD10732								Fitting—(USR).....	1	DE
	FCD20088								Ring Assembly—(USR).....	1	DE
2	579644								Tank Assembly—Bomb bay metal.....	NP	DE
	579641								Pump Installation—Bomb bay fuel tank.....	1	DE
3	B7776								Pump—Fuel booster (NASH ENGINEERING, S. Norwalk, Conn.).....	1	DE
4	W7600-7-16								Valve—Drain (WTR).....	1	DE
	AN902-4								Gasket—Flared tube universal fitting.....	1	DE
5	A4932G024								Connector—(NASH ENGINEERING, S. Norwalk, Conn.).....	1	DE
6	479624								Support—Fuel booster pump.....	4	DE
	288928								Gasket—Fuel tank booster pump.....	4	DE
	AN74A5								Bolt—Drilled head 1/4.....	48	DE
	AN74A3								Bolt—Drilled head 1/4.....	24	DE
	AN74A6								Bolt—Drilled head 1/4.....	56	DE
	AN960A416								Washer—Plain.....	104	DE
	AN960D416								Washer—Plain.....	24	DE
	AN365-832								Nut—Self locking.....	16	DE
	579642								Drain Installation—Bomb bay fuel tank.....	NP	DE
	460223								Valve Assembly—Fuel tank fitting and drain.....	1	DE
7	K1625B-A								Valve—Drain (KOE).....	1	DE
8	460214								Fitting—Tank drain valve.....	1	DE
	579646								Gage Installation—Bomb bay fuel tank.....	NP	DE
9	8TJ18LBC								Transmitter—(GE).....	1	DE
	293131								Gasket—Fuel tank liquid level gage.....	2	DE
10	292940								Fitting—Fuel tanks gage spacer.....	1	DE
	AN73-31								Bolt—Drilled head No. 10.....	10	DE
	AN74A3								Bolt—Drilled head 1/4.....	16	DE
	AN960D10								Washer—Plain.....	10	DE
	AN960D416								Washer—Plain.....	16	DE
	FCA15434								Gasket—(USR).....	1	DE
	460245								Cable Assembly—Bomb bay tank fuel level transmitter.....	1	DE
11	579763								Door Installation—Bomb bay fuel tank access.....	NP	DE
	579613								Door Assembly—Non-self sealing fuel cell access.....	1	DE
12	579762								Piping Installation—Bomb bay fuel tank internal fuel and vent.....	NP	DE
	579645								Filler and Outlets Installation—Bomb bay fuel tank.....	NP	DE
	WM239								Cap—Fuel tank filler cap.....	1	DE

POWER PLANT GROUP

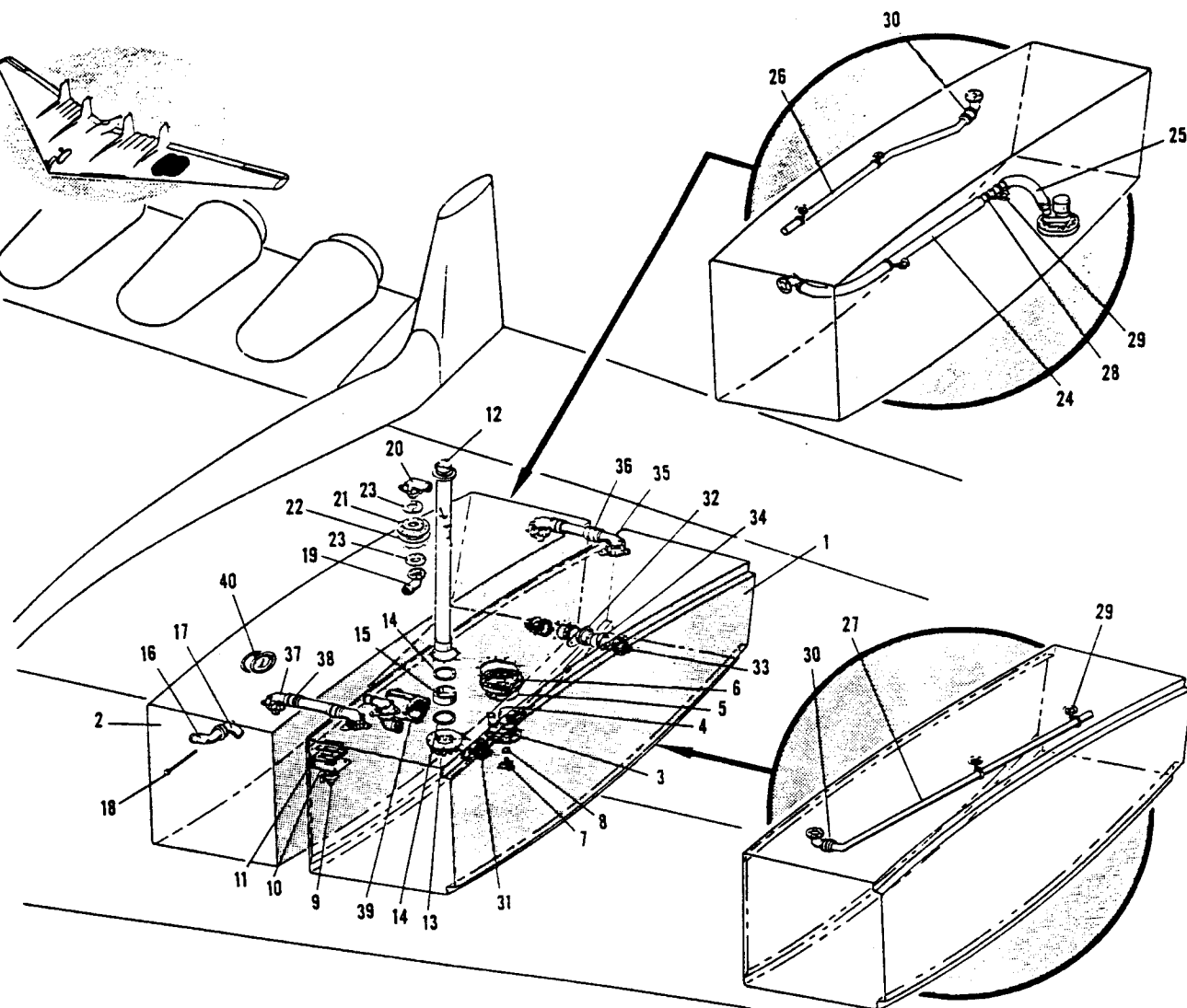


FIGURE 122—OUTER WING AUXILIARY FUEL TANKS NO. 5 AND NO. 10

OUTER WING AUXILIARY FUEL TANKS 5 AND 10

FIGURE & INDEX NUMBER	PART NUMBER	NOMENCLATURE	UNITS PER ASSEM	USAGE CODE
		1 2 3 4 5 6 7		
	574081	Tank Installation—Outer wing No. 5 auxiliary fuel LH (For next assembly see page 219)	NP	DE
	574082	Tank Installation—Outer wing No. 10 auxiliary fuel RH (For next assembly see page 219)	NP	DE
122 - 1	574095	Cell—No. 5A non-self sealing LH	1	DE
	574096	Cell—No. 10A non-self sealing RH	2	DE
	FCC20073	Vent—Interconnector (USR)	1	DE
	FCC20066	Outlet—Vent (USR)	1	DE
	FCD20344	Fitting—Access door (USR)	2	DE
	FCB8630	Fitting—Hanger (USR)	10	DE
	FCB15296	Hanger—Snap (USR)	1	DE
	FCC20346	Fitting—Gage (USR)	1	DE
	FCD20069	Filler—(USR)	1	DE
2	574097	Cell—No. 5B non-self sealing fuel LH	1	DE
	574098	Cell—No. 10B non-self sealing fuel RH	1	DE
	FCC20345	Fitting—Pump (USR)	1	DE
	FCC20347	Outlet—Fuel (USR)	1	DE
	FCC20064	Fitting—Drain (USR)	1	DE
	FCD10732	Fitting—Access door (USR)	NP	DE
	574061	Pump Installation—Outer wing fuel tank cells No. 5B aft booster LH	NP	DE
	574062	Pump Installation—Outer wing fuel tank cells No. 10B aft booster RH	1	DE
3	B7776	Pump—Booster fuel (NASH ENGINEERING)	1	DE
4	A4932G024	Connector—(NASH ENGINEERING)	1	DE
5	288928	Gasket—Fuel tank booster pump	1	DE
6	461764	Fitting—Fuel tank booster pump	1	DE

POWER PLANT GROUP
OUTER WING AUXILIARY FUEL TANKS 5 AND 10

FIGURE & INDEX NUMBER	PART NUMBER	1	2	3	4	5	6	7	NOMENCLATURE	UNITS PER ASSEM	USAGE CODE
122 - 7	W7600 7-16	Valve—Drain (WTR)	1	DE
8	AN902-4	Gasket—Flared tube universal fitting	1	DE
	574013	Drain Installation—Outer wing fuel tanks No. 5 LH	NP	DE
	574014	Drain Installation—Outer wing fuel tanks No. 10 RH	NP	DE
	460223	Valve Assembly—Fuel tank fitting and drain	1	DE
9	K1625B-A	Valve—Drain (KOE)	1	DE
10	460214	Fitting—Tank drain valve	1	DE
11	FCA15430	Gasket—(USR)	1	DE
	574065	Gage Installation—Outer wing fuel tank cell No. 5A fuel LH	NP	DE
	574066	Gage Installation—Outer wing fuel tank cell No. 10A fuel RH	NP	DE
12	8TJ18LBA	Transmitter—Fuel level (GE)	1	DE
13	493020	Fitting—Fuel tank liquid level gage	1	DE
14	293131	Fitting—Fuel tank liquid level gage	2	DE
15	292939	Fitting—Fuel tank gage spacer	1	DE
	574151	Outlet Installation—Outer wing fuel tank No. 5 fuel LH	NP	DE
	574152	Outlet Installation—Outer wing fuel tank No. 10 fuel RH	NP	DE
16	479829	Elbow—Auxiliary fuel tanks fuel outlet	1	DE
	188931	Gasket—Fuel tank outlet elbow	1	DE
17	493017	Fitting—Fuel tank outlet elbow	1	DE
18	274173-3	Bolt—Fuel tank interconnector	1	DE
	574177	Outlet Installation—Outer wing fuel tank No. 5 forward vent LH	NP	DE
	574178	Outlet Installation—Outer wing fuel tank No. 10 forward vent RH	NP	DE
	574179	Outlet Installation—Outer wing fuel tank No. 5 aft vent LH	NP	DE
	574180	Outlet Installation—Outer wing fuel tank No. 10 aft vent RH	NP	DE
19	293139	Fitting—Fuel tank internal vent	2	DE
20	461737	Fitting—Fuel tank vent	1	DE
21	260190	Adapter—Fuel tank vent outlet	1	DE
22	FCA15432	Gasket—(USR)	1	DE
23	260189	Gasket—Fuel tank vent outlet	2	DE
	574219	Piping Installation—Outer wing fuel tank No. 5 internal fuel and vent LH	NP	DE
	574220	Piping Installation—Outer wing fuel tank No. 10 internal fuel and vent RH	NP	DE
24	574219-5	Hose—Outer wing fuel tank No. 5 internal fuel and vent LH	1	DE
	574220-5	Hose—Outer wing fuel tank No. 10 internal fuel and vent RH	1	DE
25	574219-6	Hose—Outer wing fuel tank No. 5 internal fuel and vent LH	1	DE
	574220-6	Hose—Outer wing fuel tank No. 10 internal fuel and vent RH	1	DE
26	574219-1	Tube—Outer wing fuel tank No. 5 internal fuel and vent LH	1	DE
	574220-1	Tube—Outer wing fuel tank No. 10 internal fuel and vent RH	1	DE
27	574219-2	Tube—Outer wing fuel tank No. 5 internal fuel and vent LH	1	DE
	574220-2	Tube—Outer wing fuel tank No. 10 internal fuel and vent RH	1	DE
28	528-24D	Valve—(PA)	1	DE
29	279759	Washer—Non-self sealing fuel cell hanger support	6	DE
30	AN884-24-15	Hose—Aromatic resistant synthetic	2	DE
	574147	Interconnector Installation—Outer wing fuel tank No. 5 LH	NP	DE
	574148	Interconnector Installation—Outer wing fuel tank No. 10 RH	NP	DE
31	574147-10	Interconnector Assembly—Outer wing fuel tank LH	1	DE
	574148-10	Interconnector Assembly—Outer wing fuel tank RH	1	DE
	474174	Spider—Fuel tank interconnector	2	DE
	474169	Interconnector—Outboard fuel tank fixed fuel	1	DE
	274173-6	Bolt—Fuel tank interconnector	2	DE
	260197	Gasket—Fuel tank interconnector spider	2	DE
	260198	Adapter—Fuel tank interconnector spider	2	DE
	574117	Interconnector Installation—Outer wing fuel tank No. 5 aft fuel LH	NP	DE
	574118	Interconnector Installation—Outer wing fuel tank No. 10 aft fuel RH	NP	DE
32	474169	Interconnector—Outboard fuel tank fixed fuel	1	DE
33	474174	Spider—Fuel tank interconnector	2	DE
	274173-6	Bolt—Fuel tank interconnector	1	DE
	260197	Gasket—Fuel tank interconnector spider	2	DE
34	260198	Adapter—Fuel tank interconnector spider	2	DE
	514045	Interconnector Installation—Outer wing fuel tank No. 5 aft vent LH	NP	DE
	514046	Interconnector Installation—Outer wing fuel tank No. 10 aft vent RH	NP	DE
35	460185	Fitting Assembly—No. 5 and No. 10 fuel tank vent interconnector	2	DE
	FCA15430	Gasket—(USR)	2	DE
36	AN884-24-15	Hose—Aromatic resistant synthetic	2	DE
	574025	Interconnector Installation—Outer wing fuel tank No. 5 forward aft LH	NP	DE
	574026	Interconnector Installation—Outer wing fuel tank No. 10 forward aft RH	NP	DE
37	460182	Fitting—Fuel tank vent interconnector	2	DE
	FCA15430	Gasket—(USR)	2	DE
38	AN884-24-15	Hose—Aromatic resistant synthetic	2	DE
39	574181	Door Assembly—Outer wing fuel tank No. 5 sta 523 access LH	1	DE
	574182	Door Assembly—Outer wing fuel tank No. 10 sta 523 access RH	1	DE
	574183	Door Installation—Outer wing fuel tank No. 5 sta 479 access LH	NP	DE
	574184	Door Installation—Outer wing fuel tank No. 10 sta 479 access RH	NP	DE
40	579613	Door Assembly—Non-self sealing fuel cell access	1	DE

RESTRICTED
AN 01-15EAA-4
POWER PLANT GROUP

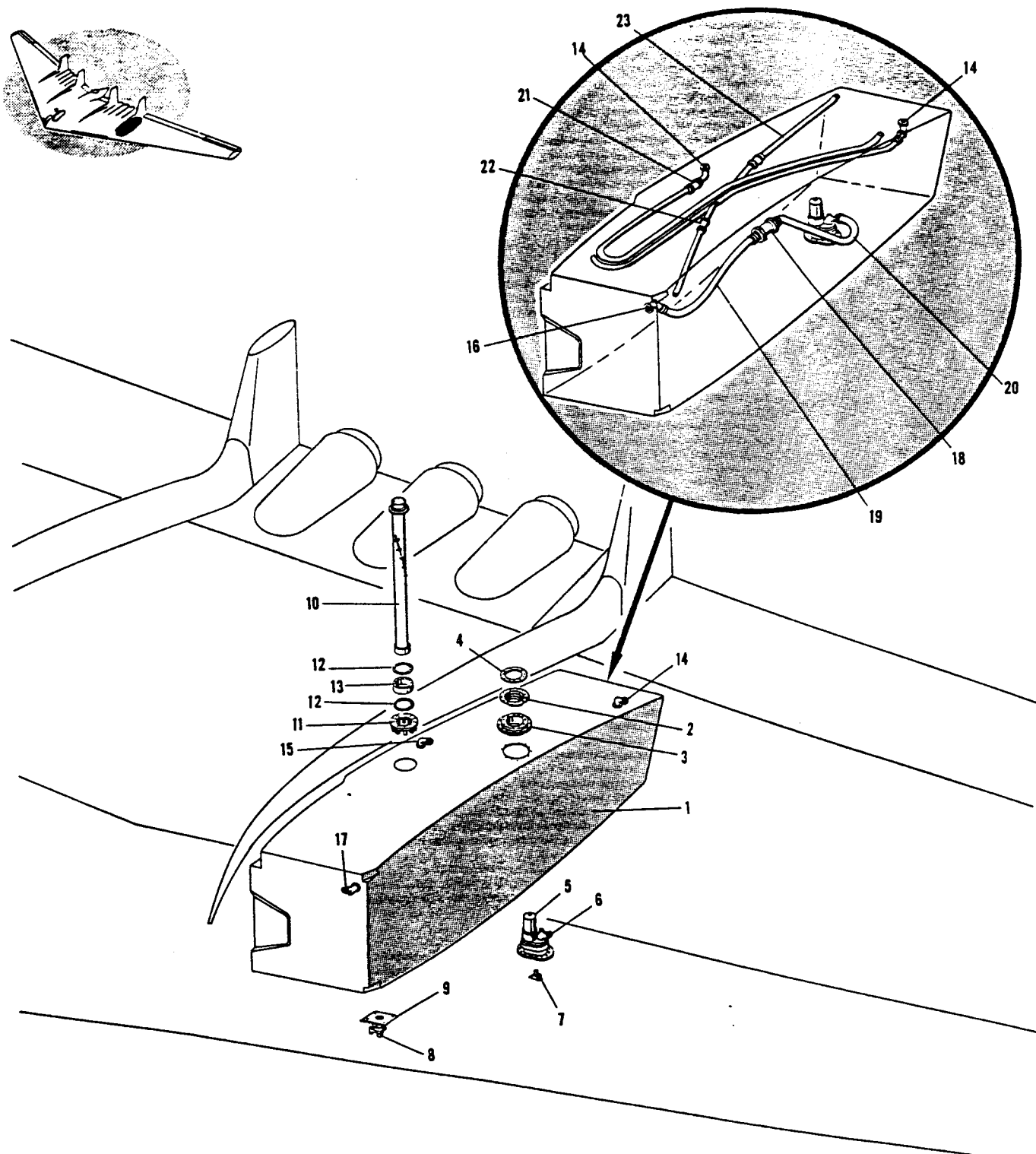


FIGURE 123—AUXILIARY OUTBOARD FUEL TANKS NO. 6 AND NO. 9

RESTRICTED

POWER PLANT GROUP
AUXILIARY OUTBOARD FUEL TANKS 6 AND 9

FIGURE & INDEX NUMBER	PART NUMBER	NOMENCLATURE							UNITS PER ASSEM	USAGE CODE
		1	2	3	4	5	6	7		
	574083	Tank Installation—Outboard No. 6 auxiliary fuel LH (For next assembly see page 218)							NP	DE
	574084	Tank Installation—Outboard No. 9 auxiliary fuel RH (For next assembly see page 218)							NP	DE
123 - 1	574099	Cell—No. 6A non-self sealing fuel LH							1	DE
	574100	Cell—No. 9A non-self sealing fuel RH							1	DE
	FCB16476	Fastener—Snap (USR)							30	DE
	FCB8630	Hanger—Pipe (USR)							7	DE
	FCC20066	Fitting—Vent (USR)							2	DE
	FCD20069	Fitting—Filler (USR)							1	DE
	FCC20345	Fitting—Pump (USR)							1	DE
	FCC20064	Fitting—Drain (USR)							1	DE
	FCC20346	Fitting—Gage (USR)							1	DE
	FCD10732	Fitting—Access door (USR)							1	DE
	FCC20106	Hanger—Snap (USR)							1	DE
	574139	Filler Installation—Outer wing fuel tank No. 6 fuel							NP	DE
	574140	Filler Installation—Outer wing fuel tank No. 9 fuel							NP	DE
2	WM239	Cap—Filler (AA)							1	DE
3	460216	Adapter Assembly—Fuel tank filler							2	DE
4	288932	Gasket—Fuel tank scupper ring							1	DE
	FCA15652	Gasket—(USR)							12	DE
	AN73-5	Bolt—Drilled head 10							16	DE
	AN4H4A	Bolt—Aircraft 1/4-28							12	DE
	AN960C10	Washer—Plain							16	DE
	AN960-416L	Washer—Plain							16	DE
	574137	Pump Installation—Outer wing fuel tank No. 6 aft LH							NP	DE
	574138	Pump Installation—Outer wing fuel tank No. 9 aft RH							NP	DE
5	B7776	Pump—Booster (NASH ENGINEERING, S. Norwalk, Conn.)							1	DE
6	A4932GF24	Connector—Low pressure (NASH ENGINEERING, S. Norwalk, Conn.)							1	DE
7	W7600-7-16	Valve—Drain (WTR)							2	DE
	AN902-4	Gasket—Flared tube universal fitting							NP	DE
	574161	Drain Installation—Outer wing fuel tank No. 6 LH							NP	DE
	574162	Drain Installation—Outer wing fuel tank No. 9 RH							NP	DE
	460223	Valve Assembly—Fuel tank fitting and drain							1	DE
8	K1625B-A	Valve—Drain (KOE)							1	DE
9	460214	Fitting—Tank drain valve							1	DE
	FCA15430	Gasket—(USR)							8	DE
	AN74-4	Bolt—Drilled head 1/4							8	DE
	AN960-416	Washer—Plain							NP	DE
	574123	Gage Installation—Outer wing fuel tank No. 6 fuel LH							NP	DE
	574124	Gage Installation—Outer wing fuel tank No. 6 fuel RH							NP	DE
10	8TJ18LAZ	Transmitter—Fuel level (GE)							1	DE
	493020	Fitting—Fuel tank liquid level gage							1	DE
12	293131	Gasket—Fuel tank liquid level gage							2	DE
13	292939	Fitting—Fuel tank gage spacer							1	DE
	574195	Outlet Installation—Outer wing fuel tank No. 6 aft vent LH							NP	DE
	574196	Outlet Installation—Outer wing fuel tank No. 9 aft vent RH							NP	DE
	574193	Outlet Installation—Outer wing fuel tank No. 6 forward vent LH							NP	DE
	574194	Outlet Installation—Outer wing fuel tank No. 9 forward vent RH							NP	DE
14	293139	Fitting—Fuel tank internal vent							2	DE
15	461737	Fitting—Fuel tank vent							2	DE
	260189	Gasket—Fuel tank vent outlet							4	DE
	FCA15432	Gasket—(USR)							2	DE
	260190	Adapter—Fuel tank vent outlet							2	DE
	574189	Outlet Installation—Outer wing fuel tank No. 6 fuel LH							NP	DE
	574190	Outlet Installation—Outer wing fuel tank No. 9 fuel RH							NP	DE
16	493017	Fitting—Fuel tank outlet elbow							1	DE
17	479829	Elbow—Auxiliary fuel tanks fuel outlet							1	DE
	188931	Gasket—Fuel tank outlet elbow							1	DE
	AN6227-8	Packing—"O" ring hydraulic							1	DE
	274173-3	Bolt—Fuel tank interconnector							1	DE
	574215	Piping Installation—Outer wing fuel tank No. 6 internal fuel and vent LH							NP	DE
	574216	Piping Installation—Outer wing fuel tank No. 9 internal fuel and vent RH							NP	DE
18	528-24D	Valve—Check (PA)							1	DE
19	574215-9	Hose—Internal fuel and vent No. 6 LH							1	DE
	574216-9	Hose—Internal fuel and vent No. 9 RH							1	DE
20	574215-11	Hose—Internal fuel and vent No. 6 LH							1	DE
	574216-11	Hose—Internal fuel and vent No. 9 RH							1	DE
21	AN884-24-14	Hose—Aromatic resistant synthetic							2	DE
22	AN884-24-15	Hose—Aromatic resistant synthetic							2	DE
23	574215	Piping—Outer wing fuel tank No. 6 internal fuel and vent LH							AR	DE
	574216	Piping—Outer wing fuel tank No. 9 internal fuel and vent RH							AR	DE

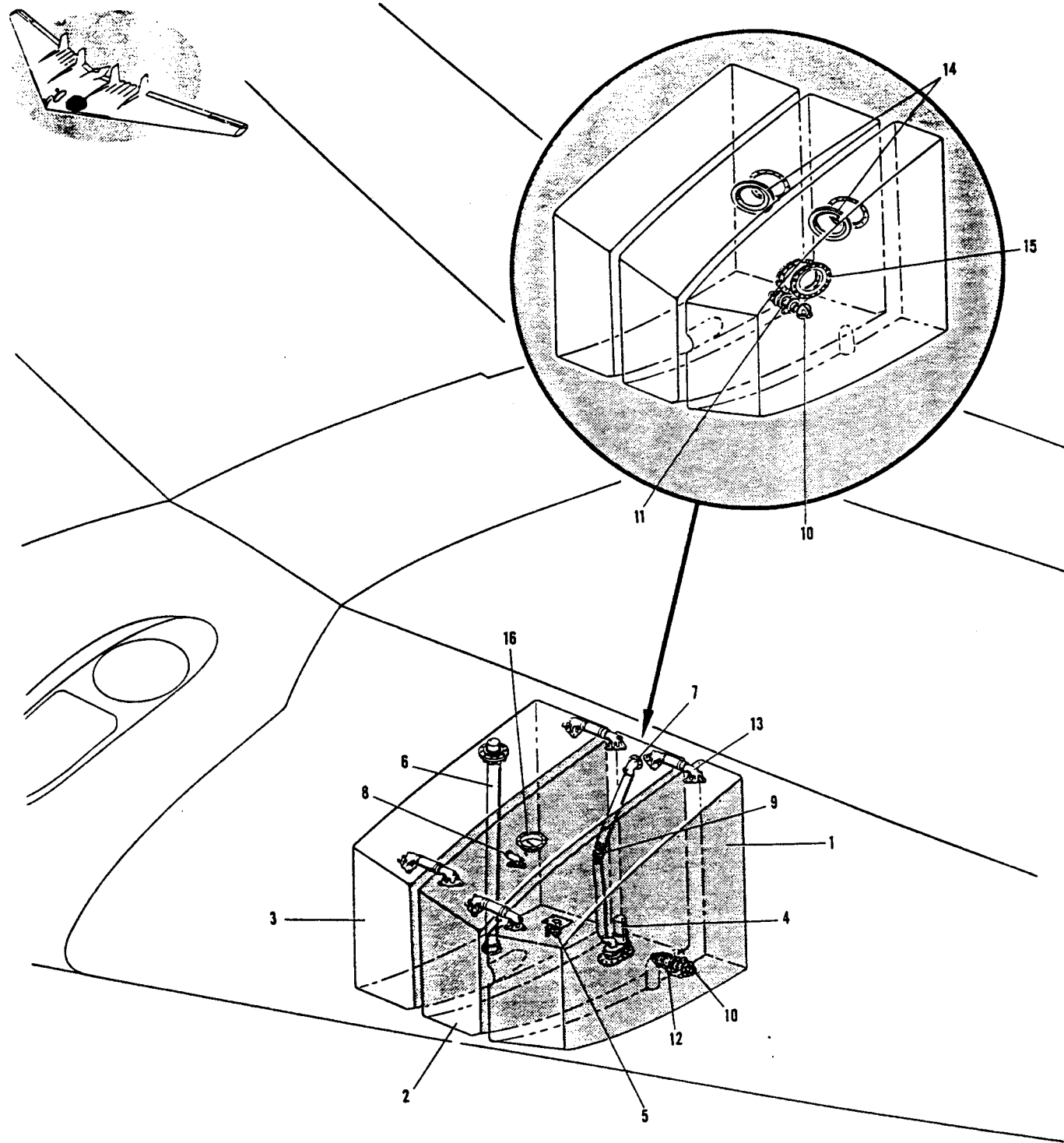


FIGURE 124—AUXILIARY INBOARD FUEL TANKS NO. 7 AND NO. 8

RESTRICTED

POWER PLANT GROUP
AUXILIARY INBOARD FUEL TANKS 7 AND 8

FIGURE & INDEX NUMBER	PART NUMBER	NOMENCLATURE							UNITS PER ASSEM	USAGE CODE
		1	2	3	4	5	6	7		
	574085	Tank Installation—Auxiliary inboard No. 7 fuel LH (For next assembly see page 218)							NP	DE
	574086	Tank Installation—Auxiliary inboard No. 8 fuel RH (For next assembly see page 218)							NP	DE
124 - 1	574101	Cell—7A non-self sealing fuel LH							1	DE
	574102	Cell—8A non-self sealing fuel RH							1	DE
2	574103	Cell—7B non-self sealing fuel LH							1	DE
	574104	Cell—8B non-self sealing fuel RH							1	DE
3	574105	Cell—7C non-self sealing fuel LH							1	DE
	574106	Cell—8C non-self sealing fuel RH							1	DE
	574033	Pump Installation—Center wing fuel cell 7B aft booster LH							NP	DE
	574034	Pump Installation—Center wing fuel cell 8B aft booster RH							NP	DE
4	B7776	Pump—Fuel booster (NASH ENGINEERING)							1	DE
	A4932G024	Connector—Discharge (NASH ENGINEERING)							1	DE
	461764	Fitting—Fuel tank booster pump							1	DE
	288928	Gasket—Fuel tank booster pump							1	DE
	W7600-7-16	Valve—Drain (WTR)							1	DE
	AN902-4	Gasket—Flared tube universal fitting							1	DE
	574043	Drain Installation—Center wing fuel tank No. 7 LH							NP	DE
	574044	Drain Installation—Center wing fuel tank No. 8 RH							NP	DE
	460223	Valve Assembly—Fuel tank fitting and drain							1	DE
5	K1625B-A	Valve—Drain (KOE)							1	DE
	460214	Fitting—Tank drain valve							1	DE
	574141	Gage Installation—Center wing fuel tank No. 7 fuel LH							NP	DE
	574142	Gage Installation—Center wing fuel tank No. 8 fuel RH							NP	DE
6	8TJ18LBB	Transmitter—Fuel level (GE)							1	DE
	493020	Fitting—Fuel tank liquid level gage							1	DE
	293131	Gasket—Fuel tank liquid level gage							2	DE
	292939	Fitting—Fuel tank gage spacer							1	DE
	574203	Outlet Installation—Center wing fuel tank No. 7 fuel LH							NP	DE
	574204	Outlet Installation—Center wing fuel tank No. 8 fuel RH							NP	DE
7	493017	Fitting—Fuel tank outlet elbow							1	DE
	188931	Gasket—Fuel tank outlet elbow							1	DE
	479829	Elbow—Auxiliary fuel tanks fuel outlet							1	DE
	274173-3	Bolt—Fuel tank interconnector							1	DE
	574109	Outlet Installation—Center wing fuel tank No. 7 forward vent LH							NP	DE
	574110	Outlet Installation—Center wing fuel tank No. 8 forward vent RH							NP	DE
	574127	Outlet Installation—Center wing fuel tank No. 7 aft vent LH							NP	DE
	574128	Outlet Installation—Center wing fuel tank No. 8 aft vent RH							NP	DE
8	461765	Fitting—Fuel tank vent outlet							2	DE
	293139	Fitting—Fuel tank internal vent							2	DE
	260189	Gasket—Fuel tank vent outlet							2	DE
	260190	Adapter—Fuel tank vent outlet							2	DE
	574217	Piping Installation—Center wing fuel tank No. 7 internal fuel and vent LH							NP	DE
	574218	Piping Installation—Center wing fuel tank No. 8 internal fuel and vent RH							NP	DE
9	528-24D	Valve—(PA)							1	DE
	574217-5	Hose—Center wing fuel tank No. 7 internal fuel and vent LH							1	DE
	574218-5	Hose—Center wing fuel tank No. 8 internal fuel and vent RH							1	DE
	574217-6	Hose—Center wing fuel tank No. 7 internal fuel and vent LH							1	DE
	574218-6	Hose—Center wing fuel tank No. 8 internal fuel and vent RH							1	DE
	574217-1	Tube—Center wing fuel tank No. 7 internal fuel and vent LH							1	DE
	574218-1	Tube—Center wing fuel tank No. 8 internal fuel and vent RH							1	DE
	AN884-24-20	Hose—Aromatic resistant synthetic							2	DE
	288956	Clip—Internal vent line							1	DE
	574199	Interconnector Installation—Center wing fuel tanks No. 7 aft inboard fuel LH							NP	DE
	574200	Interconnector Installation—Center wing fuel tanks No. 8 aft inboard fuel RH							NP	DE
	574135	Interconnector Installation—Center wing fuel tanks No. 7 sta 188.5 aft fuel LH							NP	DE
	574136	Interconnector Installation—Center wing fuel tanks No. 8 sta 188.5 aft fuel RH							NP	DE
10	474174	Spider—Fuel tank interconnector							4	DE
11	474170-4	Interconnector—Inboard fuel tank fixed fuel							1	DE
12	474170-3	Interconnector—Inboard fuel tank fixed fuel							1	DE
	260197	Gasket—Fuel tank interconnector spider							4	DE
	260198	Adapter—Fuel tank interconnector spider							4	DE
	574121	Interconnector Installation—Center wing sta 157.5 fuel tank No. 7 aft vent LH							NP	DE
	574122	Interconnector Installation—Center wing sta 157.5 fuel tank No. 8 aft vent RH							NP	DE
	574049	Interconnector Installation—Center wing tanks No. 7 wing sta 188.5 aft vent LH							NP	DE
	574050	Interconnector Installation—Center wing tanks No. 8 wing sta 188.5 aft vent RH							NP	DE
	574063	Interconnector Installation—Center wing tanks No. 7 wing sta 157.5 forward vent LH							NP	DE
	574064	Interconnector Installation—Center wing tanks No. 8 wing sta 157.5 forward vent RH							NP	DE
	574145	Interconnector Installation—Center wing fuel tanks No. 7 wing sta 188.5 forward vent LH							NP	DE
	574146	Interconnector Installation—Center wing fuel tanks No. 8 wing sta 188.5 forward vent RH							NP	DE
13	460182	Fitting—Fuel tank vent interconnector							8	DE
	AN884-24-29	Hose—Aromatic resistant synthetic							4	DE
	574131	Door Installation—Center wing fuel tank No. 7 inboard fuel access LH							NP	DE
	574132	Door Installation—Center wing fuel tank No. 8 inboard fuel access RH							NP	DE
	574159	Door Installation—Center wing fuel tank No. 7 outboard fuel LH							NP	DE
	574160	Door Installation—Center wing fuel tank No. 8 outboard fuel RH							NP	DE
14	579613	Door Assembly—Non-self sealing fuel cell access							2	DE
15	574185	Door Assembly—Center wing fuel tank No. 7 wing sta 188.5 access LH							1	DE
	574186	Door Assembly—Center wing fuel tank No. 8 wing sta 188.5 access RH							1	DE
	574129	Filler Installation—Center wing fuel tank No. 7 fuel LH							NP	DE
	574130	Filler Installation—Center wing fuel tank No. 8 fuel RH							NP	DE
16	WM239	Cap—Fuel tank filler (AA)							1	DE

POWER PLANT GROUP

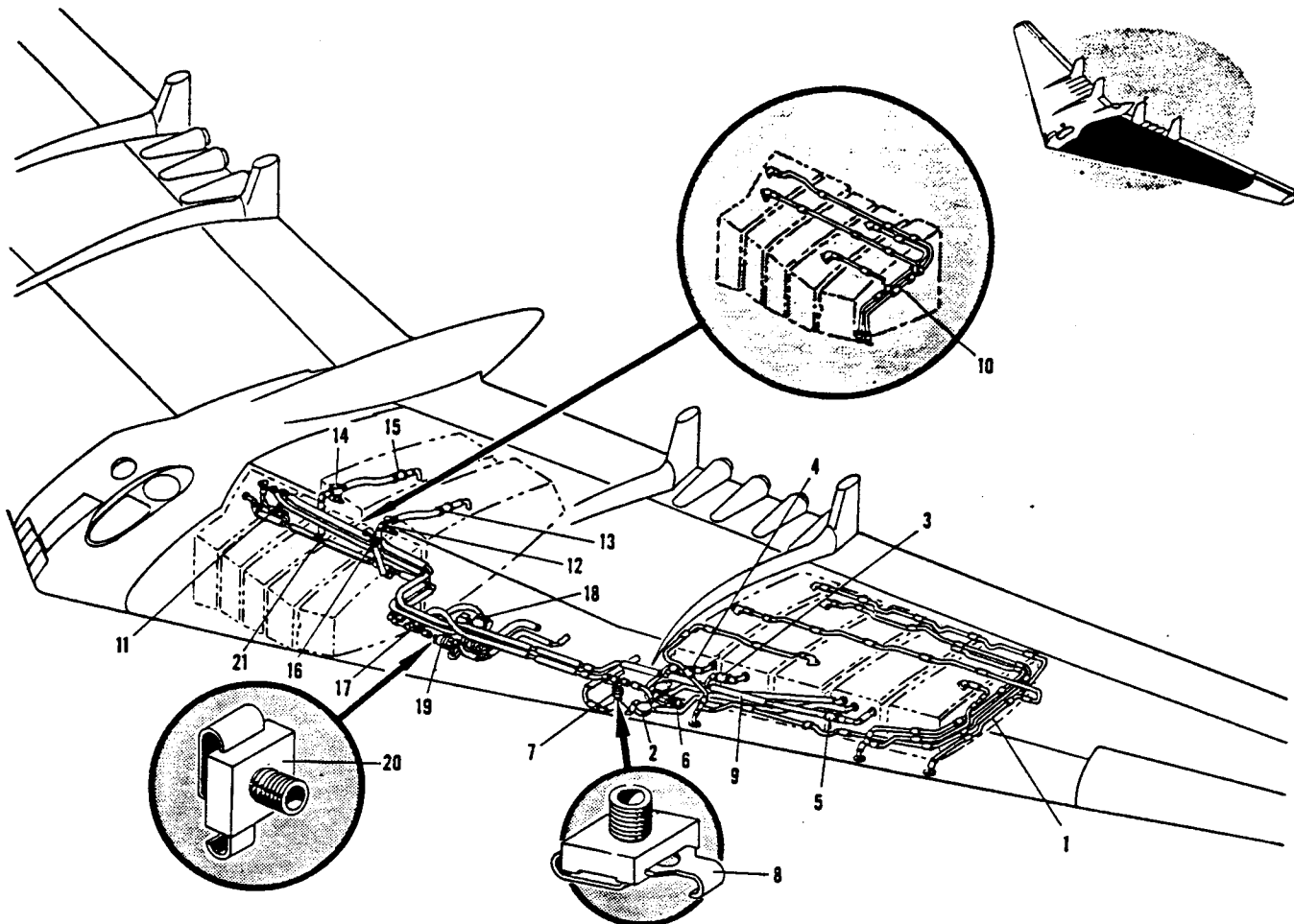


FIGURE 125—YB-49 FUEL PIPING

YB-49 FUEL PIPING

FIGURE & INDEX NUMBER	PART NUMBER	NOMENCLATURE	UNITS PER ASSEM	USAGE CODE	
125 - 1	579737	Piping Installation—Outer wing fuel tanks vent LH (For next assembly see page 218)	NP	DE	
	579738	Piping Installation—Outer wing fuel tanks vent RH (For next assembly see page 218)	NP	DE	
	579737	Lines—Outer wing fuel tanks and vent LH	AR	DE	
	579738	Lines—Outer wing fuel tanks and vent RH	AR	DE	
	AN884-24-14	Hose—Aromatic resistant synthetic	49	DE	
	AN748-66	Clamp—Hose	98	DE	
	579807	Piping Installation—Outer wing fuel system LH (For next assembly see page 218)	NP	DE	
	579808	Piping Installation—Outer wing fuel system RH (For next assembly see page 218)	NP	DE	
	579949	Valves Installation—Outer wing sta 447 fuel selector LH	NP	DE	
	579950	Valves Installation—Outer wing sta 447 fuel selector RH	NP	DE	
	2	SP9-1745-2	Valve—Fuel selector (PA)	2	DE
		579801	Valve Installation—Outer wing fuel tank No. 5 fuel shutoff LH	NP	DE
3	579802	Valve Installation—Outer wing fuel tank No. 10 fuel shutoff RH	NP	DE	
	X235-145	Valve—Fuel shutoff (PA)	1	DE	
	AN840-25D	Adapter—Hose to pipe thread	2	DE	
	AN3-30A	Bolt—Aircraft 10-32	2	DE	
	AN960D10	Washer—Plain	4	DE	
	AN365-1032	Nut—Self locking	2	DE	
	579795	Valve Installation—Outer wing fuel tank No. 6 fuel shutoff LH	NP	DE	
	579796	Valve Installation—Outer wing fuel tank No. 9 fuel shutoff RH	NP	DE	
	X235-145	Valve—Fuel shutoff (PA)	1	DE	
	AN840-25D	Adapter—Hose to pipe thread	1	DE	
4	AN844-25D	Elbow—Pipe thread 45°	1	DE	
	AN3-32A	Bolt—Aircraft 10-32	2	DE	
	AN960D10	Washer—Plain	4	DE	
	AN365-1032	Nut—Self locking	2	DE	
	579927	Valve Installation—Outer wing fuel tank No. 1 fuel shutoff LH	NP	DE	
	579928	Valve Installation—Outer wing fuel tank No. 4 fuel shutoff RH	NP	DE	
	X235-145	Valve—Fuel shutoff (PA)	1	DE	
	AN840-25D	Adapter—Hose to pipe thread	2	DE	
	AN3-27A	Bolt—Aircraft 10-32	2	DE	
	AN960D10	Washer—Plain	2	DE	
5	579623	Filters Installation—Outboard fuel LH	NP	DE	

POWER PLANT GROUP
YB-49 FUEL PIPING

FIGURE & INDEX NUMBER	PART NUMBER	1	2	3	4	5	6	7	NOMENCLATURE	UNITS PER ASSEM	USAGE CODE	
125 - 6 7	579623-1	Filters Installation—Outboard fuel RH	NP	DE	
	579623-10	Filter Assembly—Outboard fuel LH	1	DE	
	579623-30	Filter Assembly—Outboard fuel LH	1	DE	
	579623-31	Filter Assembly—Outboard fuel RH	2	DE	
	1480	Filter—Fuel and kerosene (HOA)	1	DE	
	Attaching Parts											
	WM1-466	Elbow—(AA)	1	DE	
	AN4038-5	Connector Assembly—Engine oil straight	1	DE	
	AN5-10A	Bolt—Aircraft 5/16-24	3	DE	
	AN960D516	Washer—Plain	6	DE	
	AN365-524	Nut—Self locking	6	DE	
8	W7600 1-8	Valve—Drain (WTR)	1	DE	
	259004-4	Fitting—Fuel filter drain	1	DE	
	259004-2	Fitting—Fuel filter drain RH	1	DE	
9	579807	Lines—Outer wing fuel LH	AR	DE	
	579808	Lines—Outer wing fuel RH	AR	DE	
	AN884-32-12	Hose—Aromatic resistant synthetic	1	DE	
	AN884-24-24	Hose—Aromatic resistant synthetic	2	DE	
	AN884-24-12	Hose—Aromatic resistant synthetic	7	DE	
	AN884-20-18	Hose—Aromatic resistant synthetic	1	DE	
	AN884-20-12	Hose—Aromatic resistant synthetic	1	DE	
			Hose—Aromatic resistant synthetic	1	DE	
10	574163	Piping Installation—Center wing fuel tank vent LH (For next assembly see page 218)	NP	DE	
	574164	Piping Installation—Center wing fuel tank vent RH (For next assembly see page 218)	NP	DE	
	574163	Lines—Center wing fuel tank vent LH	AR	DE	
	574164	Lines—Center wing fuel tank vent RH	AR	DE	
	288857	Tee Assembly—1-1/2 tube fuel line	2	DE	
	AN884-24-15	Hose—Aromatic resistant synthetic	21	DE	
	AN748-66	Clamp—Hose	42	DE	
	AN742D26C	Clamp—Loop type support	14	DE	
11	579739	Piping Installation—Center wing fuel system LH (For next assembly see page 218)	NP	DE	
	579740	Piping Installation—Center wing fuel system RH (For next assembly see page 218)	NP	DE	
	579803	Valve Installation—Fuel tanks No. 2 and cross feed shutoff LH	NP	DE	
	579804	Valve Installation—Fuel tanks No. 3 and cross feed shutoff RH	NP	DE	
	X235-145	Valve—Fuel selector (PA)	2	DE	
	AN844-25D	Elbow—Pipe thread 45°	1	DE	
	AN840-25D	Adapter—Hose to pipe thread	1	DE	
	579809	Valve Installation—Bomb bay fuel tank No. 2 fuel shutoff LH	NP	DE	
	579810	Valve Installation—Bomb bay fuel tank No. 7 fuel shutoff RH	NP	DE	
	X235-145	Valve—1.25 fuel shutoff (PA)	1	DE	
	AN73-30	Bolt—Drilled head No. 10	2	DE	
12	528-24D	Valve—Swing check (PA)	1	DE	
	AN884-24-22	Hose—Aromatic resistant synthetic RH	1	DE	
	AN884-24-15	Hose—Aromatic resistant synthetic	1	DE	
	AN884-24-16	Hose—Aromatic resistant synthetic LH	1	DE	
13	AN840-25D	Adapter—Hose to pipe thread	2	DE	
	579811	Valve Installation—Bomb bay fuel tank No. 3 shutoff LH	NP	DE	
	579812	Valve Installation—Bomb bay fuel tank No. 6 shutoff RH	NP	DE	
	X235-145	Valve—Fuel shutoff (PA)	1	DE	
	528-24D	Valve—Swing check (PA)	1	DE	
	AN884-24-15	Hose—Aromatic resistant synthetic	2	DE	
	AN840-25D	Adapter—Hose to pipe thread	2	DE	
	579813	Valve Installation—Center wing fuel tank No. 7 shutoff LH	NP	DE	
	579814	Valve Installation—Center wing fuel tank No. 8 shutoff RH	NP	DE	
	X235-145	Valve—Fuel shutoff (PA)	1	DE	
	14	579865	Valve Installation—Center wing sta 240 engine manifold to control fuel shutoff LH	NP	DE
		579866	Valve Installation—Center wing sta 240 engine manifold to control fuel shutoff RH	NP	DE
		X235-145	Valve—Fuel shutoff (PA)	1	DE
579859		Valve Installation—Center wing sta 248.5 fuel selector LH	NP	DE	
579860		Valve Installation—Center wing sta 248.5 fuel selector RH	NP	DE	
SP9-1745-2		Valve—Fuel selector (PA)	2	DE	
AN73-30		Bolt—Drilled No. 10	6	DE	
AN960D10		Washer—Plain	12	DE	
AN365-1032		Nut—Self locking	6	DE	
579925		Filter Installation—Center wing	NP	DE	
15	1480	Filter—Fuel and kerosene (HOA)	2	DE	
	W7600 1/8	Cock—Drain (WTR)	2	DE	
	AN4-6A	Bolt—Aircraft 1/4-28	6	DE	
	WM1-466	Elbow—(AA)	3	DE	
	579739-19	Fitting—Center wing fuel piping LH	1	DE	
	579739-20	Fitting—Center wing fuel piping RH	1	DE	
	AN5-10A	Bolt—Aircraft 5/16-24	6	DE	
	AN960-516	Washer—Plain	12	DE	
	AN364-524	Nut—Self locking thin	12	DE	
	579739	Lines—Center wing fuel system LH	AR	DE	
	579740	Lines—Center wing fuel system RH	AR	DE	
16	AN884-24-28	Hose—Aromatic resistant synthetic	2	DE	
	AN884-20-13	Hose—Aromatic resistant synthetic	3	DE	
	AN884-24-13	Hose—Aromatic resistant synthetic	12	DE	
	AN884-24-12	Hose—Aromatic resistant synthetic	2	DE	
	AN840-20D	Adapter—Hose to pipe thread	2	DE	
	AN842-25D	Elbow—Pipe thread hose 90°	4	DE	

POWER PLANT GROUP

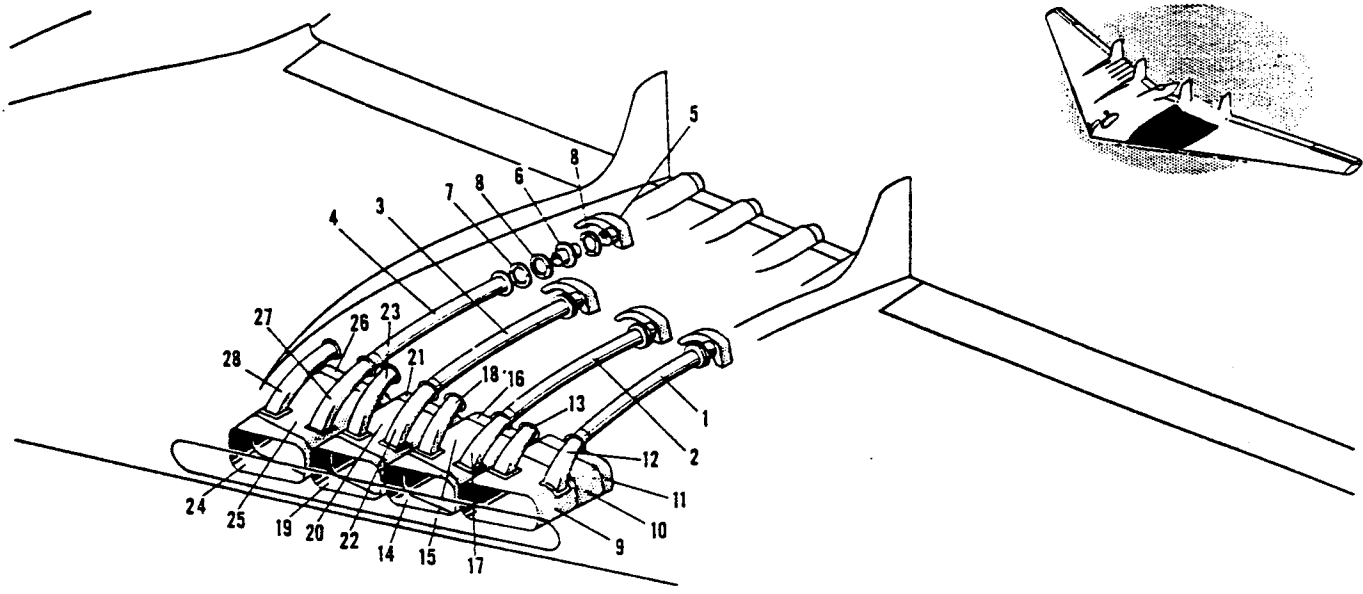


FIGURE 126—YB-49 ENGINE COOLING AIR DUCTS

YB-49 ENGINE COOLING AIR DUCTS

FIGURE & INDEX NUMBER	PART NUMBER	NOMENCLATURE	UNITS PER ASSEM	USAGE CODE
		1 2 3 4 5 6 7		
	557003	Ducts Installation—Engine cooling air (For next assembly see page 213).....	NP	DE
126 - 1	557005	• Duct—No. 1 unit engine cooling air.....	1	DE
2	556880	• Duct—No. 2 unit engine cooling air.....	1	DE
3	556923	• Duct—No. 3 unit engine cooling air.....	1	DE
4	556986	• Duct—No. 4 unit engine cooling air.....	1	DE
	557760	• Duct—No. 5 unit engine cooling air.....	1	DE
	557761	• Duct—No. 6 unit engine cooling air.....	1	DE
	557762	• Duct—No. 7 unit engine cooling air.....	1	DE
	557763	• Duct—No. 8 unit engine cooling air.....	8	DE
5	557004	• Duct Assembly—Aft engine compartment cooling air diffuser.....	8	DE
6	560929	• Valve Assembly—Engine cooling duct restrictor.....	8	DE
7	557005-2	• Ring—Engine cooling air duct backing.....	8	DE
8	557005-6	• Gasket—Engine cooling air duct backing.....	1	DE
	3201010-1	• Duct—Engine cooling air (AWR) on No. 1 unit.....	1	DE
	3201010-2	• Duct—Engine cooling air (AWR) on No. 2 unit.....	1	DE
	3201010-3	• Duct—Engine cooling air (AWR) on No. 3 unit.....	1	DE
	3201010-4	• Duct—Engine cooling air (AWR) on No. 4 unit.....	1	DE
	3201010-5	• Duct—Engine cooling air (AWR) on No. 5 unit.....	1	DE
	3201010-6	• Duct—Engine cooling air (AWR) on No. 6 unit.....	1	DE
	3201010-7	• Duct—Engine cooling air (AWR) on No. 7 unit.....	1	DE
	3201010-8	• Duct—Engine cooling air (AWR) on No. 8 unit.....	1	DE
	579695	Duct Installation—Outer wing engine ram air and cooling air LH (For next assembly see page 15).....	NP	DE
	579696	Duct Installation—Outer wing engine ram air and cooling air RH (For next assembly see page 15).....	NP	DE
9	579705	• Ring Installation—Outer wing ram air duct No. 1 forward fixed LH.....	NP	DE
	579706	• Ring Installation—Outer wing ram air duct No. 8 forward fixed RH.....	1	DE
10	579701	• Panel Assembly—Outer wing ram air duct No. 1 removable LH.....	1	DE
	579702	• Panel Assembly—Outer wing ram air duct No. 8 removable RH.....	NP	DE
11	579703	• Ring Installation—Outer wing ram air duct No. 1 aft fixed LH.....	NP	DE
	579704	• Ring Installation—Outer wing ram air duct No. 8 aft fixed RH.....	1	DE
12	579755	• Duct Assembly—Outer wing engine No. 1 outboard cooling air LH.....	1	DE
	579756	• Duct Assembly—Outer wing engine No. 8 outboard cooling air RH.....	1	DE
13	579753	• Duct Assembly—Outer wing engine No. 1 inboard cooling air LH.....	1	DE
	579754	• Duct Assembly—Outer wing engine No. 8 inboard cooling air RH.....	1	DE
	579661	Duct Installation—Center wing ram air and cooling air LH (For next assembly see page 35).....	REF	DE
	579662	Duct Installation—Center wing ram air and cooling air RH (For next assembly see page 35).....	REF	DE
14	579691	• Ring Installation—Center wing ram air duct No. 2 forward fixed LH.....	NP	DE
	579692	• Ring Installation—Center wing ram air duct No. 7 forward fixed RH.....	NP	DE
15	579709	• Panel Assembly—Center wing ram air and duct No. 2 removable LH.....	REF	DE
	579710	• Panel Assembly—Center wing ram air and duct No. 7 removable RH.....	REF	DE
16	579689	• Ring Installation—Center wing ram air duct No. 2 aft fixed LH.....	NP	DE
	579690	• Ring Installation—Center wing ram air duct No. 7 aft fixed RH.....	NP	DE
17	579751	• Duct Assembly—Center wing No. 2 outboard cooling air LH.....	1	DE
	579752	• Duct Assembly—Center wing No. 7 outboard cooling air RH.....	1	DE
18	579749	• Duct Assembly—Center wing No. 2 inboard cooling air LH.....	1	DE
	579750	• Duct Assembly—Center wing No. 7 inboard cooling air RH.....	1	DE
19	579683	• Ring Installation—Center wing ram air duct No. 3 forward fixed LH.....	NP	DE

POWER PLANT GROUP
YB-49 ENGINE COOLING AIR DUCTS

FIGURE & INDEX NUMBER	PART NUMBER	1	2	3	4	5	6	7	NOMENCLATURE	UNITS PER ASSEM	USAGE CODE
126 - 20	579684	Ring Installation—Center wing ram air duct No. 6 forward fixed RH	NP	DE
	579679	Panel Assembly—Center wing ram air duct No. 3 removable LH	REF	DE
21	579680	Panel Assembly—Center wing ram air duct No. 6 removable RH	REF	DE
	579681	Ring Installation—Center wing ram air duct No. 3 aft fixed LH	NP	DE
22	579682	Ring Installation—Center wing ram air duct No. 6 aft fixed RH	NP	DE
	579747	Duct Assembly—Center wing engine No. 3 outboard cooling air LH	1	DE
23	579748	Duct Assembly—Center wing engine No. 6 outboard cooling air RH	1	DE
	579745	Duct Assembly—Center wing engine No. 3 inboard cooling air LH	1	DE
24	579746	Duct Assembly—Center wing engine No. 6 inboard cooling air RH	1	DE
	579673	Ring Installation—Center wing ram air duct No. 4 forward fixed LH	NP	DE
25	579674	Ring Installation—Center wing ram air duct No. 5 forward fixed RH	NP	DE
	579667	Panel Assembly—Center wing ram air duct No. 4 removable LH	REF	DE
26	579668	Panel Assembly—Center wing ram air duct No. 5 removable RH	REF	DE
	579669	Ring Installation—Center wing ram air duct No. 4 aft fixed LH	NP	DE
27	579670	Ring Installation—Center wing ram air duct No. 5 aft fixed RH	NP	DE
	579743	Duct Assembly—Center wing engine No. 4 outboard cooling air LH	1	DE
28	579744	Duct Assembly—Center wing engine No. 5 outboard cooling air RH	1	DE
	579741	Duct Assembly—Center wing engine No. 4 inboard cooling air LH	1	DE
	579742	Duct Assembly—Center wing engine No. 5 inboard cooling air RH	1	DE

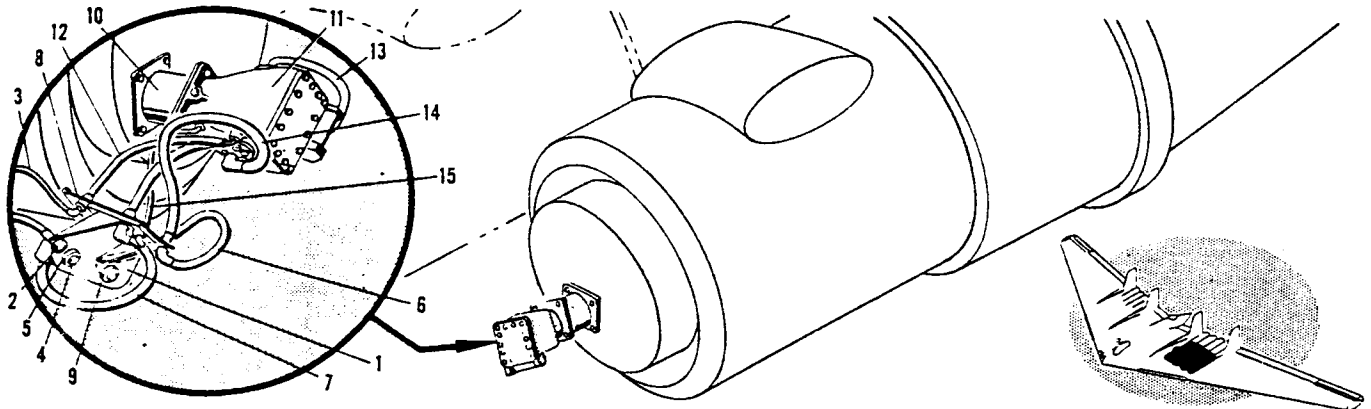


FIGURE 127—YB-49 POWER PLANT HYDRAULICS

YB-49 POWER PLANT SECTIONAL HYDRAULICS

FIGURE & INDEX NUMBER	PART NUMBER	1	2	3	4	5	6	7	NOMENCLATURE	UNITS PER ASSEM	USAGE CODE
127 - 1	557629	Hydraulic Installation—Power plant section (For next assembly see page 91)	NP	DE
	557627	Support Assembly—Engine hydraulic lines	1	DE
2	AN6220-4	Coupling Half—Hydraulic self seal	1	DE
	AN924-4	Nut—Flared tube	1	DE
3	559169-4	Line Assembly—Pump drain	1	DE
4	AN6220-16	Coupling Half—Hydraulic self seal	1	DE
	AN6223-16	Flange—Hydraulic self seal coupling	1	DE
5	RU401-10-21	Hose Assembly—(AOU)	1	DE
6	390-16D-20.5	Hose Assembly—(AQ)	1	DE
7	AN6220-8	Coupling Half—Hydraulic self seal	1	DE
	AN6223-8	Flange—Hydraulic self seal coupling	1	DE
8	559173	Mounting Assembly—Hydraulic pump and	1	DE
9	AA2037	Pump—Hydraulic (VI)	1	DE
	AN310-5	Nut—Aircraft castle	4	DE
10	AN960C516	Washer—Plain	4	DE
	AN4044-1	Gasket—Vacuum and hydraulic pressure pump	1	DE
11	AN6264-4-18-75	Hose Assembly—Detachable end fitting type	1	DE
12	390-16D-36	Hose Assembly—(AQ)	1	DE
	RU401-10-35	Hose Assembly—(AOU)	1	DE
13	AN928-8	Elbow—Internal screw thread 45°	1	DE
	AN919-15	Reducer—Flared tube	1	DE
14	AN924-8	Nut—Flared tube	1	DE
	AN6227-10	Packing—"O" ring hydraulic	1	DE
15	AN6227-9	Packing—"O" ring hydraulic	1	DE
	AN927-16D	Elbow—Internal screw thread 90°	1	DE
16	AN815-16D	Union—Flared tube	1	DE
	AN924-16D	Nut—Flared tube	1	DE
17	AN902-16	Gasket—Flared tube	3	DE
	AN833-16D	Elbow—Flared tube	1	DE
18	AN833-4D	Elbow—Flared tube	2	DE
	AN924-4D	Nut—Flared tube	2	DE
19	AN902-4	Gasket—Flared tube	1	DE
	AN833-10	Elbow—Flared tube	1	DE
20	AN924-10	Nut—Flared tube	1	DE
	AN6264-4-7.75	Hose Assembly—Detachable end fitting type	1	DE

RADIO GROUP

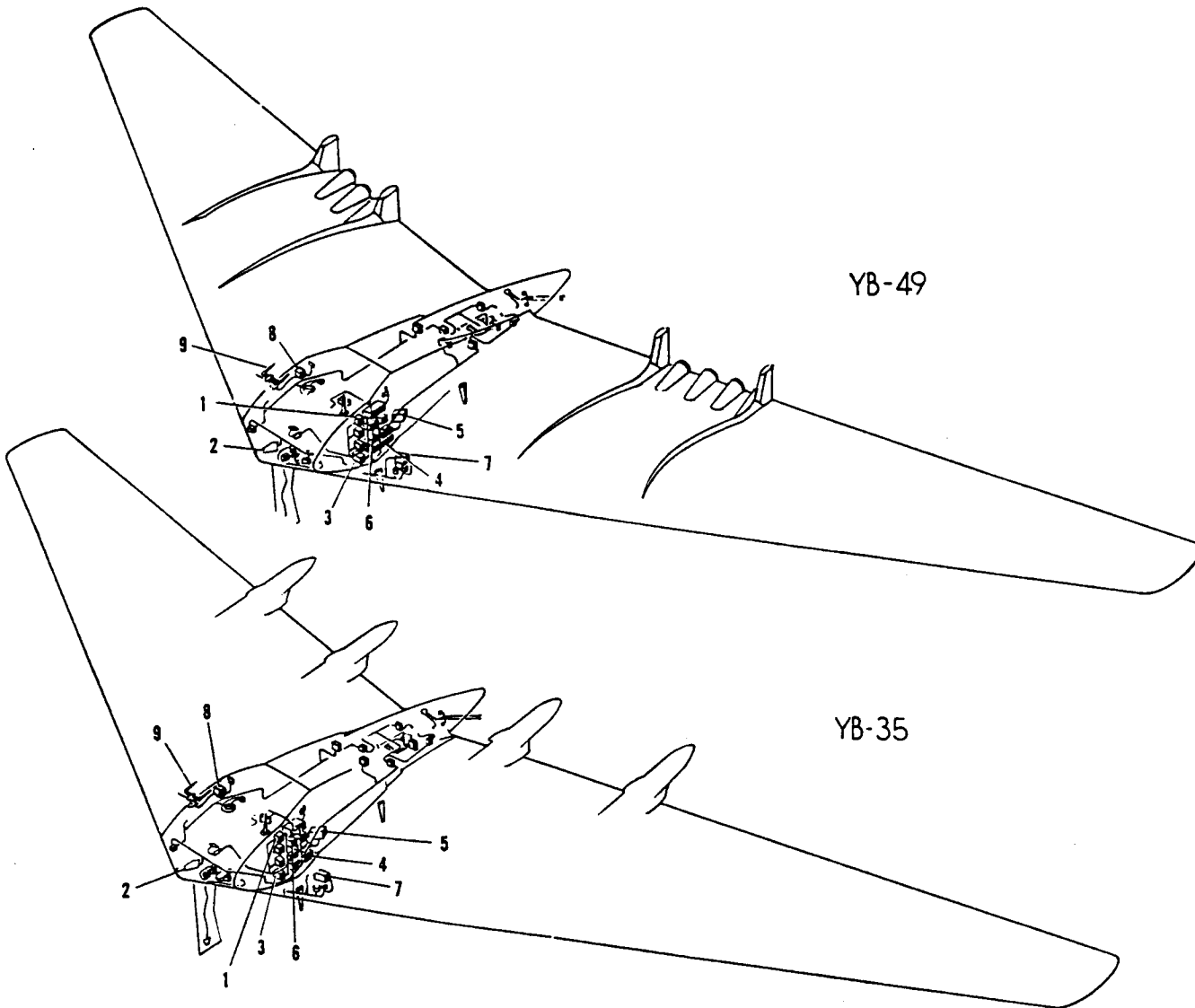


FIGURE 128—COMPLETE RADIO

COMPLETE RADIO

FIGURE & INDEX NUMBER	PART NUMBER	NOMENCLATURE	UNITS PER ASSEM	USAGE CODE		
					1	2
128 - 1	551100	Radio Installation—Complete (For next assembly see page 13).....	NP	T		
	554464	Radio Installation—Complete (For next assembly see page 13).....	NP	U		
	554468	Radio Installation—AN/ARC-3 complete (For detail breakdown see page 235).....	NP	ALL		
	551105	Interphone Installation—(For detail breakdown see page 236).....	NP	T		
	554472	Interphone Installation—(For detail breakdown see page 236).....	NP	U		
	559521	Radio Installation—RC-193 marker beacon (For detail breakdown see page 237).....	NP	ALL		
	551187	Compass Installation—Complete AN/ARN-7 radio (For detail breakdown see page 238).....	NP	ALL		
	551102	Radio Installation—AN/ARC-8 liaison complete (For detail breakdown see page 239).....	NP	ALL		
	560461	Radio Installation—SCR274 low frequency receiver (For detail breakdown see page 243).....	NP	T		
	550086	Radio Installation—SCR695 identification complete (For detail breakdown see page 243).....	NP	U		
	561407	Radio Installation—SCR695 identification complete (For detail breakdown see page 243).....	NP	ALL		
	551101	Radio Installation—Complete RC-103 (For detail breakdown see page 241).....	NP	T		
	551106	Antenna Installation—Complete (For detail breakdown see page 245).....	NP	U		
	560225	Antenna Installation—Complete (For detail breakdown see page 245).....	NP	U		
	560054	Radio Installation—SCR-718 altimeter receiver and transmitter (For detail breakdown see page 246).....	NP	U		
556485	Radio Installation—Complete AN/ARN-5 glide path (For detail breakdown see page 247).....	NP	ALL			
561156	Radio Installation—APN/9 Ioran (For detail breakdown see page 248).....	NP	U			

RADIO GROUP

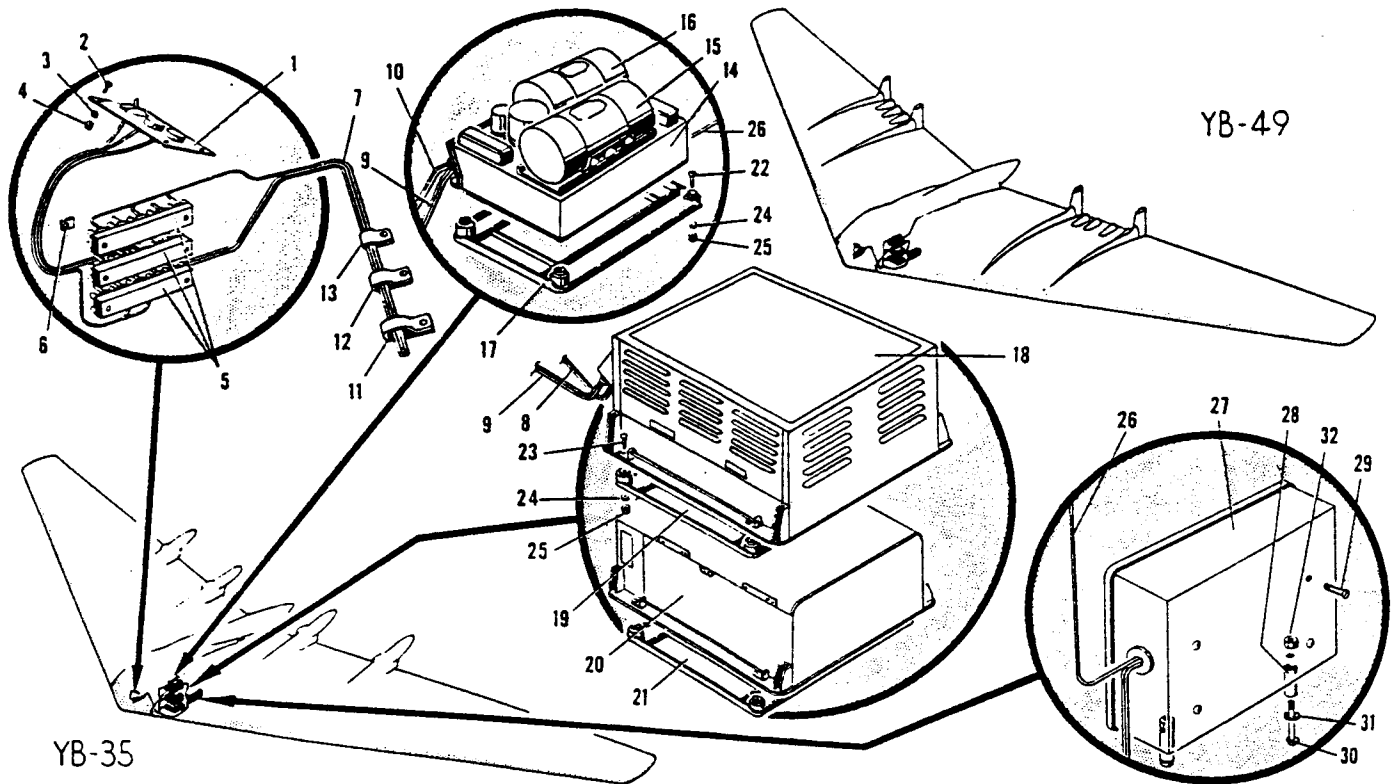


FIGURE 129—AN/ARC-3 RADIO

AN/ARC-3 RADIO

FIGURE & INDEX NUMBER	PART NUMBER	1	2	3	4	5	6	7	NOMENCLATURE	UNITS PER ASSEM	USAGE CODE
129 - 1	554468	Radio Installation—AN/ARC-3 complete (For next assembly see page 234)							NP	ALL	
	C404(XA)/A	Control Panel—(GFP)							1	ALL	
	Attaching Parts										
2	AN515-8R8	Screw—Round head machine (coarse thread)							4	ALL	
3	AN960D8	Washer—Plain							4	ALL	
4	AN365-832	Nut—Self locking							4	ALL	
5	NAS45-8-5	Panel Assembly—Electrical connector							3	ALL	
6	NAS21-1-8	Strip—Insulating nut connector panel, electrical							6	ALL	
7	459688	Cable Assembly—AN/ARC-3 power unit to control panel							1	ALL	
8	459685	Connector Assembly—AN/ARC-3 radio receiver to transmitter							1	ALL	
9	459687	Cable Assembly—AN/ARC-3 power unit to radio transmitter							1	ALL	
10	459689	Connector Assembly—AN/ARC-3 power unit to radio receiver							1	ALL	
11	666-8	Clip—Cable (AP)							3	ALL	
12	666-6	Clip—Cable (AP)							7	ALL	
13	666-3	Clip—Cable (AP)							1	ALL	
14	J68() ARC-3	Power Junction Box—(GFP)							1	ALL	
15	DY21()/ARC-3	Dynamotor—(GFP)							1	ALL	
16	DY22()/MRC-3	Dynamotor—(GFP)							1	ALL	
17	MT236()/ARC-3	Mounting—(GFP)							1	ALL	
18	T67()/ARC-3	Radio Transmitter—(GFP)							1	ALL	
19	MT238(A)/ARC-3	Mounting—(GFP)							1	ALL	
20	R77A ARC-3	Radio Receiver—(GFP)							1	ALL	
21	MT237A/ARC-3	Mounting—(GFP)							1	ALL	
Attaching Parts											
22	NAS221-11	Screws—Brazil head, Phillips recess, bronze and alloy steel							16	ALL	
23	NAS221-12	Screws—Brazil head, Phillips recess, bronze and alloy steel							8	ALL	
24	AN960D10	Washer—Plain							24	ALL	
25	AN365-1032	Nut—Self locking							24	ALL	
26	459686	Cable Assembly—AN/ARC-3 power unit to radio junction box							1	ALL	
27	514911	Box Assembly—Radio junction							1	ALL	
Attaching Parts											
28	NAS43-3-25	Spacers—Screw and bolt							2	ALL	
29	AN515-8R6	Screw—Round head machine (coarse thread)							4	ALL	
30	AN515-8R16	Screw—Round head machine (coarse thread)							2	ALL	
31	AN960D8	Washer—Plain							6	ALL	
32	AN365-832	Nut—Self locking							6	ALL	

RADIO GROUP

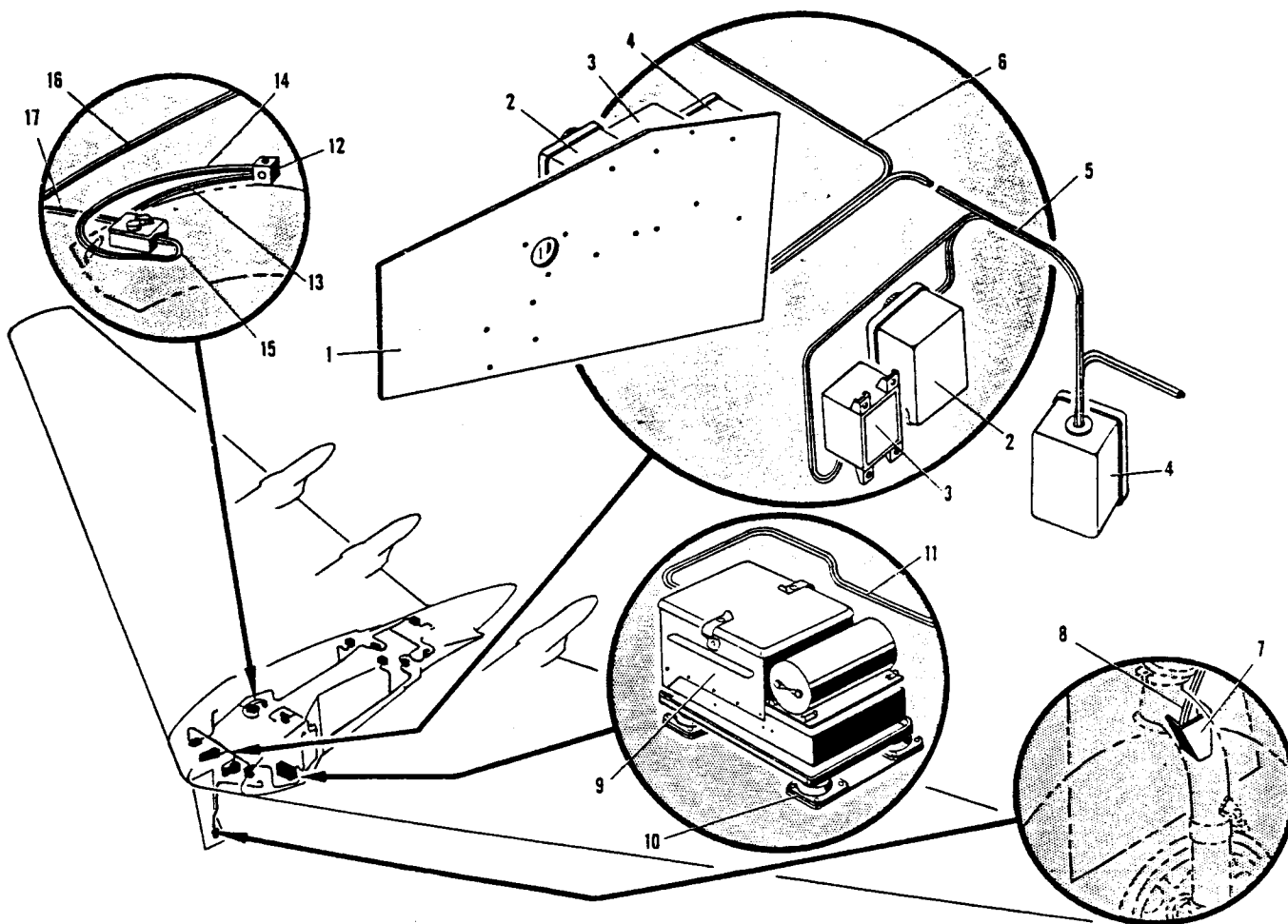


FIGURE 130—INTERPHONE

INTERPHONE

FIGURE & INDEX NUMBER	PART NUMBER	NOMENCLATURE							UNITS PER ASSEM	USAGE CODE
		1	2	3	4	5	6	7		
130 - 1	551105	Interphone Installation—(For next assembly see page 234)							NP	T
	554472	Interphone Installation—(For next assembly see page 234)							NP	U
	556775	Support Assembly—Co-Pilot's rheostat, oxygen regulator and jackbox							1	T
	559751	Support Assembly—Co-Pilot's rheostat, oxygen regulator and jackbox							1	U
	457079	Box Assembly—Interphone jack							13	T
	45709-2	Box Assembly—Make from BC1366M (GFP)							13	T
	H43D4316	Filter—Type F1-30 (GFP)							2	T
	F21/ARA9	Filter—(GFP)							2	U
	414991	Box Assembly—Pilot's microphone junction							2	ALL
	455638	Cable Assembly—Co-Pilot's jackbox to pilot's jackbox							1	T
	455639	Cable Assembly—Bombardier's jackbox to co-pilot's jackbox							1	ALL
	459008	Cover Assembly—Nose gear door interphone jack							1	ALL
	459052	Cable Assembly—Pressure plug "J" to nose landing gear interphone							*2	ALL
	AM26/A1C	Amplifier—(GFP)							*2	ALL
	MT28ARN5	Mounting—(GFP)							1	T
	455635	Cable Assembly—Radio junction box to interphone amplifier							1	ALL
	SA47A/A1C	Foot Switch—(GFP)							4	ALL
455632	Cable Assembly—Flight engineer jackbox to disconnect switch							1	T	
460110	Cable Assembly—Microphone foot switch to microphone terminal strip							1	T	
460111	Cable Assembly—Interphone jackbox to microphone terminal strip							1	T	
455642	Cable Assembly—Right hand bunk forward station to flight engineer jackbox							1	T	
455641	Cable Assembly—Flight engineer jackbox to navigator's jackbox							1	T	
AM142(XA)/A1C	Mixer Amplifier—(GFP)							1	U	
RE50(XA)/A1C	Relay Unit—(GFP)							1	U	
559877	Cover Assembly—Interphone relay							3	U	
C389(XA)/A1C	Control Panel—(GFP)							2	U	
SAZ6/U	Microphone Switch—(GFP)							5	U	
C385(XA)/A1C	Control Panel—(GFP)							5	U	
C383(XA)/A1C	Pilot's control panel—(GFP)							2	U	
C384(XA)/A1C	Control Panel—(GFP)							1	U	

*1 required on YB-35 and 2 required on YB-35A.

RADIO GROUP

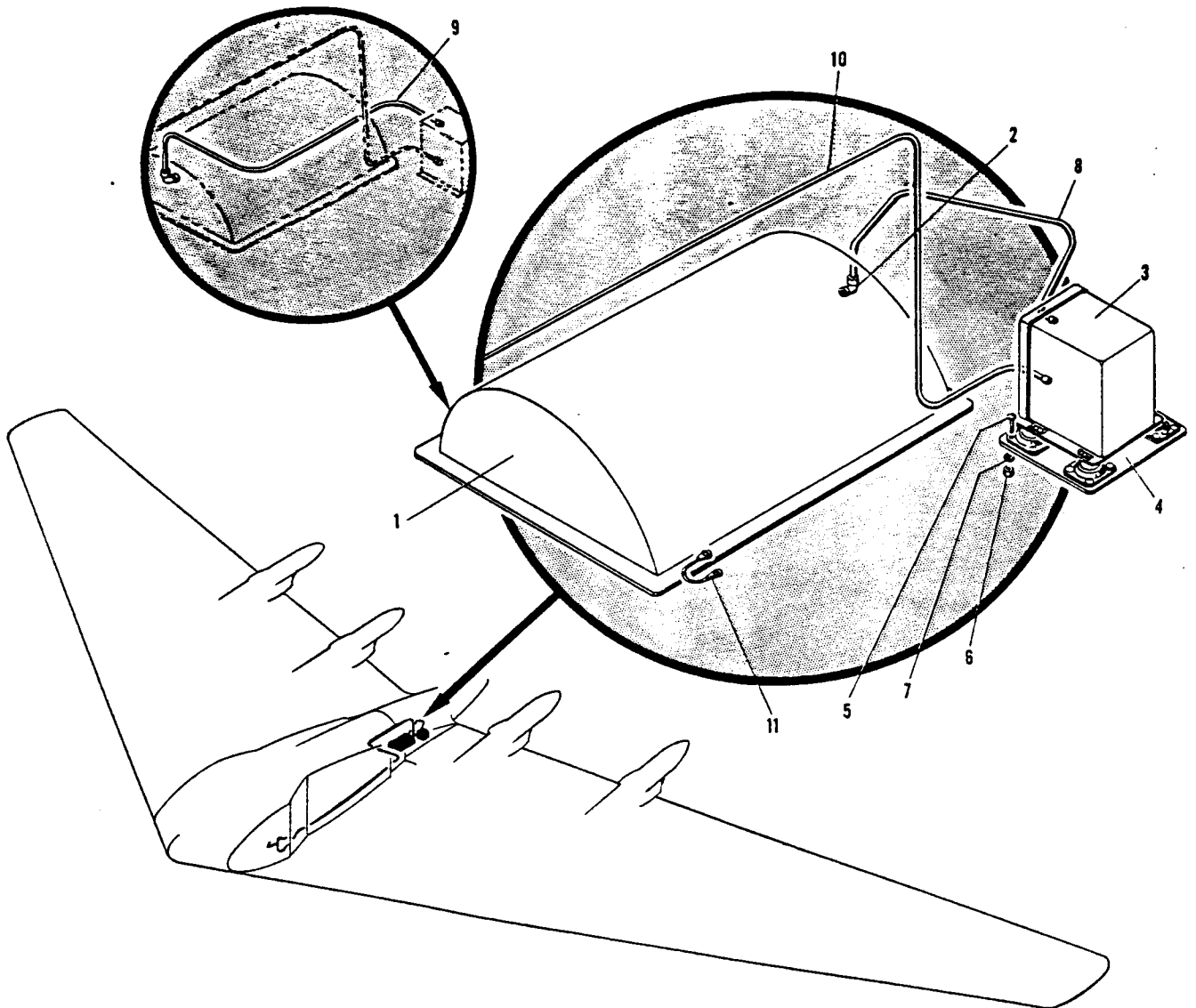


FIGURE 131—RC-193 MARKER BEACON RADIO

RC-193 MARKER BEACON RADIO

FIGURE & INDEX NUMBER	PART NUMBER	NOMENCLATURE	UNITS PER ASSEM	USAGE CODE
		1 2 3 4 5 6 7		
	559521	Radio Installation—RC-193 marker beacon (For next assembly see page 234)	NP	ALL
131 - 1	AS-215/ARN	• Antenna Assembly—(GFP)	1	ALL
2	M359	• Adapter—(GFP)	1	ALL
	AN507-832R14	• Screw—100° flat head machine	4	ALL
	AN507-832R18	• Screw—100° flat head machine	4	ALL
	AN365-832	• Nut—Self locking	8	ALL
	AN960D8	• Washer—Plain	8	ALL
	BC1333	• Receiver—(GFP)	1	U
3	BC1033()	• Receiver—(GFP)	1	ALL
4	FT161	• Mounting—(GFP)	1	ALL
5	NAS221-9	• Screws—Brazier head, Phillips recess, bronze and alloy steel	4	ALL
6	AN365-1032	• Nut—Self locking	4	ALL
7	AN960D10	• Washer—Plain	4	ALL
8	456602-2	• Connector Assembly—RC-193 marker beacon to antenna	1	ALL
9	456602-4	• Connector Assembly—RC-193 marker beacon to antenna	1	C
10	452334	• Cable Assembly—RC-193 marker beacon receiver to relay	1	ALL
	459894	• Cable Assembly—Marker beacon receiver to radio junction box	1	U
11	AN749-2-3	• Jumper—Bonding	1	ALL

RADIO GROUP

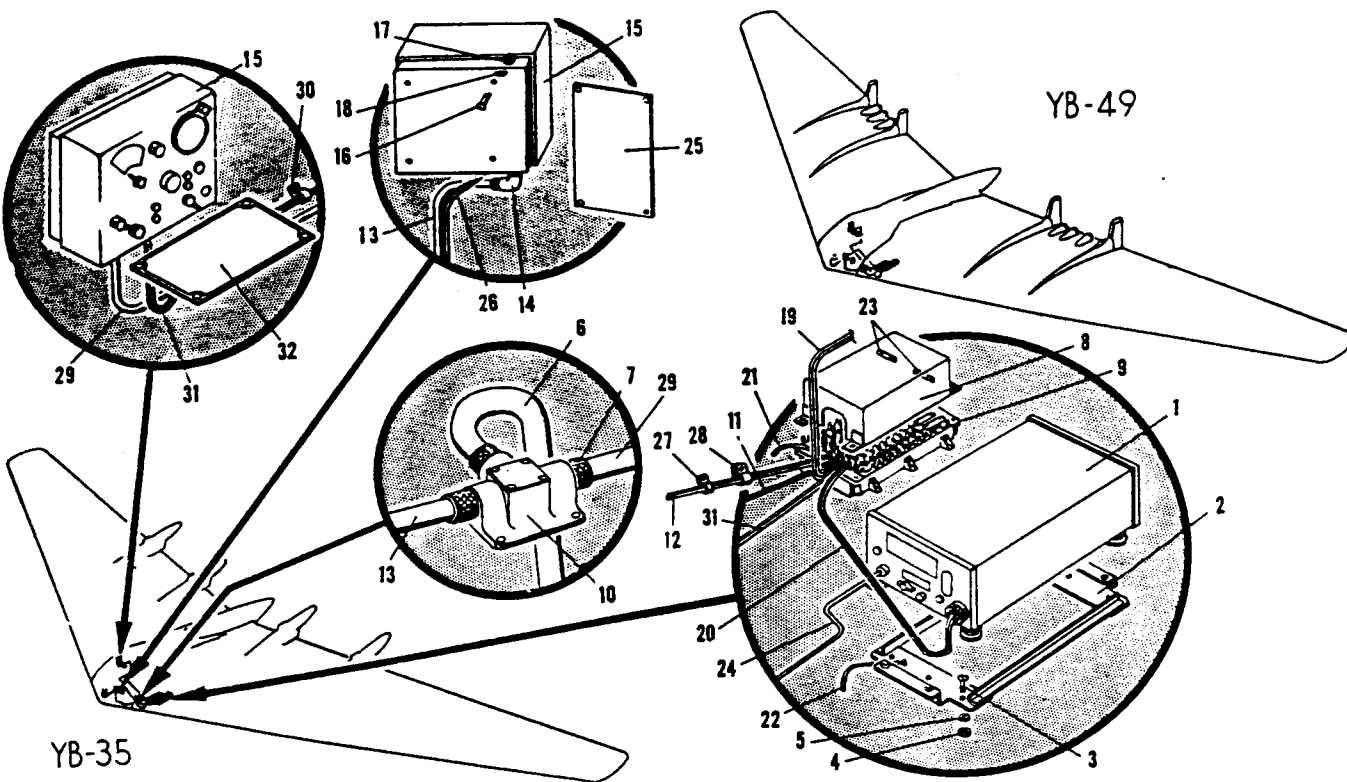


FIGURE 132—AN/ARN-7 RADIO COMPASS

FIGURE & INDEX NUMBER	PART NUMBER	1	2	3	4	5	6	7	NOMENCLATURE	UNITS PER ASSEM	USAGE CODE
	551187								Compass Installation—Complete AN/ARN-7 radio (For next assembly/ see page 234).....	NP	ALL
132 - 1	RS/ARN-7								Compass Unit—(GFP).....	1	ALL
2	FT2134								Mounting—(GFP).....	1	ALL
3	AN520-10R10								Screw—Round head machine (fine thread).....	6	ALL
4	AN365-1032								Nut—Self locking.....	6	ALL
5	AN970-3								Washer—Flat (for wood).....	1	ALL
6	551187-8								Tuning Shaft Assembly—AN/ARN-7 radio compass (make from MC-124 tuning shaft) (GFP).....	3	ALL
7	SZ577-3								Ferrule—(BC).....	1	ALL
8	550721								Cover Assembly—Cabin radio compass relay.....	1	ALL
9	BK22K								Relay—(GFP).....	1	ALL
10	MC203								Coupling—(GFP).....	1	ALL
11	456189								Cable Assembly—AN/ARN-7 loop antenna to BK-22-K relay.....	1	ALL
12	456190								Cable Assembly—AN/ARN-7 pilot's indicator to BK-22-K relay.....	1	ALL
13	551187-10								Tuning Shaft Assembly—AN/ARN-7 radio compass (make from NC-124 tuning shaft) (GFP).....	1	ALL
14	MC136								Coupling—(GFP).....	2	ALL
15	452691								Box—SCR-269 radio compass control.....	4	ALL
16	AN515-8R8								Screw—Round head machine (coarse thread).....	4	ALL
17	AN365-832								Nut—Self locking.....	4	ALL
18	AN960D8								Washer—Plain.....	1	ALL
19	456191								Cable Assembly—AN/ARN-7 radio junction box to BK-22-K relay.....	1	ALL
20	456188								Cable Assembly—AN/ARN-7 compass unit to BK-22-K relay.....	1	ALL
21	30W14-4-4-10								Wire Assembly.....	1	ALL
22	30W014-4-4-8								Wire Assembly.....	2	ALL
23	1401-3								Fuse—(LTF).....	1	ALL
24	CD365A								Cord Assembly—(GFP).....	1	ALL
25	222308								Compass Instruction Chart—(GFP).....	1	ALL
26	456192								Cable Assembly—AN/ARN-7 pilot control box to BK-22-K relay.....	6	ALL
27	45C201-1								Electrical Clip.....	12	ALL
28	666-4								Harness Clip—(AP).....	1	ALL
29	551187-12								Tuning Shaft Assembly—AN/ARN-7 radio compass (make from MC-124 tuning shaft) (GFP).....	17	ALL
30	666-6								Harness Clip—(AP).....	1	ALL
31	456187								Cable Assembly—AN/ARN-7 navigator's control box to BK-22-K relay.....	1	ALL
32	222308-2								Instruction Chart—(GFP).....	1	ALL

RADIO GROUP

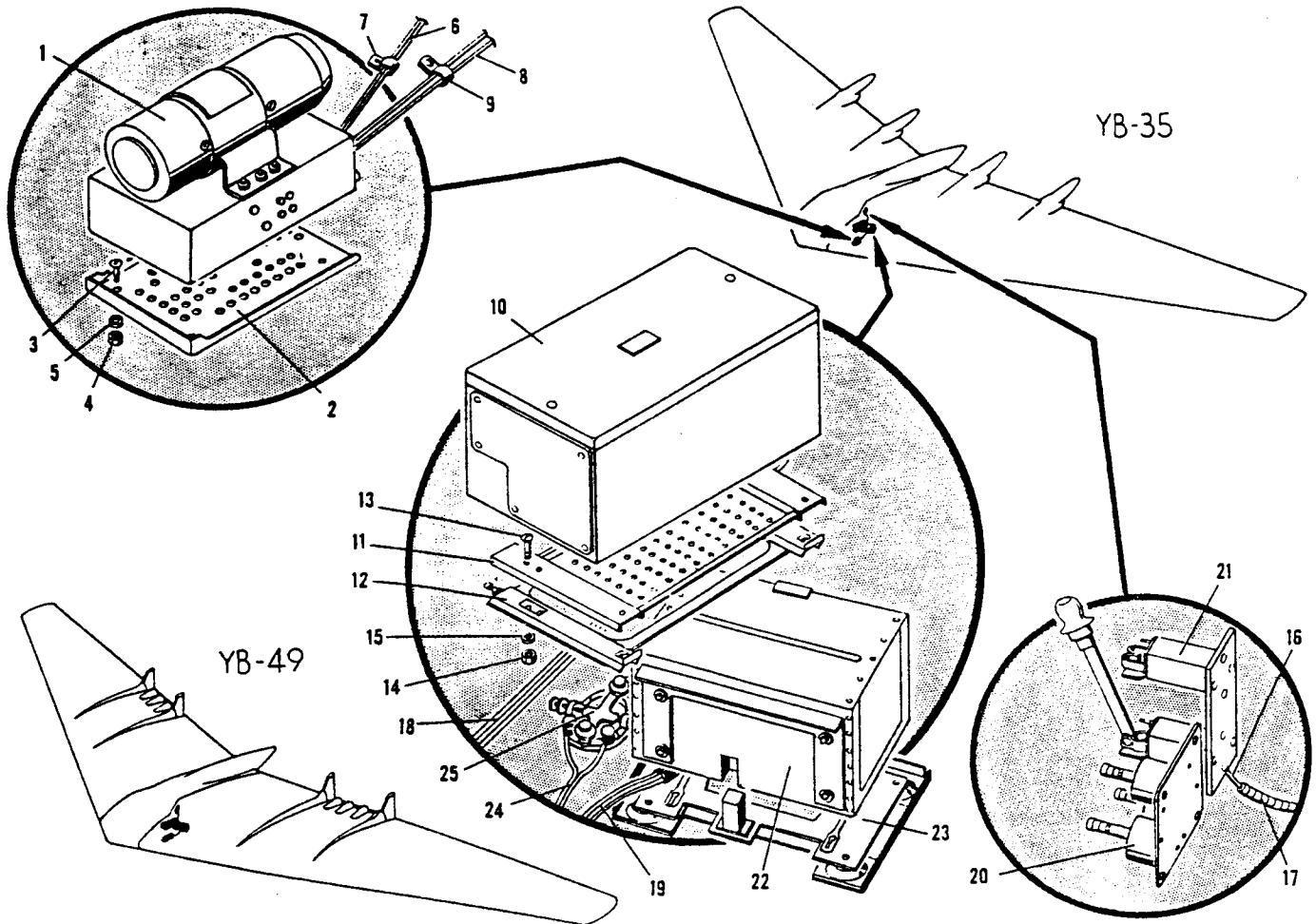


FIGURE 133—AN/ARC-8 LIAISON RADIO

AN/ARC-8 LIAISON RADIO

FIGURE & INDEX NUMBER	PART NUMBER	1	2	3	4	5	6	7	NOMENCLATURE	UNITS PER ASSEM	USAGE CODE
	551102								Radio Installation—AN/ARC-8 liaison complete (For next assembly see page 234)	NP	ALL
133 - 1	DY17/ART13								• Dynamotor—(GFP)	1	ALL
2	MT164/ART13								• Mounting—(GFP)	4	ALL
3	AN520-10R12								• Screw—Round head machine (fine thread)	4	ALL
4	AN365-1032								• Nut—Self locking	4	ALL
5	AN970-3								• Washer—Flat (for wood)	1	ALL
6	455958								• Cable Assembly—AN/ARC-8 dynamotor to junction box	1	ALL
7	666-3								• Harness Clip—(AP)	1	ALL
8	455956								• Connector Assembly—AN/ARC-8 dynamotor to transmitter	2	ALL
9	666-6								• Harness Clip—(AP)	1	ALL
10	T47								• Transmitter—(GFP)	1	ALL
11	MT283								• Mounting Plate—(GFP)	1	ALL
12	MT284								• Mounting Base—(GFP)	12	ALL
13	AN515-10-12								• Screw—Round head machine (coarse thread)	12	ALL
14	AN365-1032								• Nut—Self locking	12	ALL
15	AN970-3								• Washer—Flat (for wood)	1	ALL
16	551102-6								• Wire—.102 diameter bare solid copper hard drawn	1	ALL
17	1N83								• Insulating Bead—(GFP)	1	ALL
18	455957								• Cable Assembly—AN/ARC-8 transformer to junction box	1	ALL
19	455959								• Cable Assembly—AN/ARC-8 receiver to junction box	1	ALL
20	CU24/ART13								• Antenna Capacitor—(GFP)	1	ALL
21	SA46/ART13								• Switch—(GFP)	1	ALL
22	BC348								• Receiver—(GFP)	1	ALL
23	FT154								• Mounting—(GFP)	1	ALL
24	455999								• Cable Assembly—Radio junction box to code key	1	ALL
25	J37								• Key—(GFP)	1	ALL

RESTRICTED
AN 01-15EAA-4

RADIO GROUP

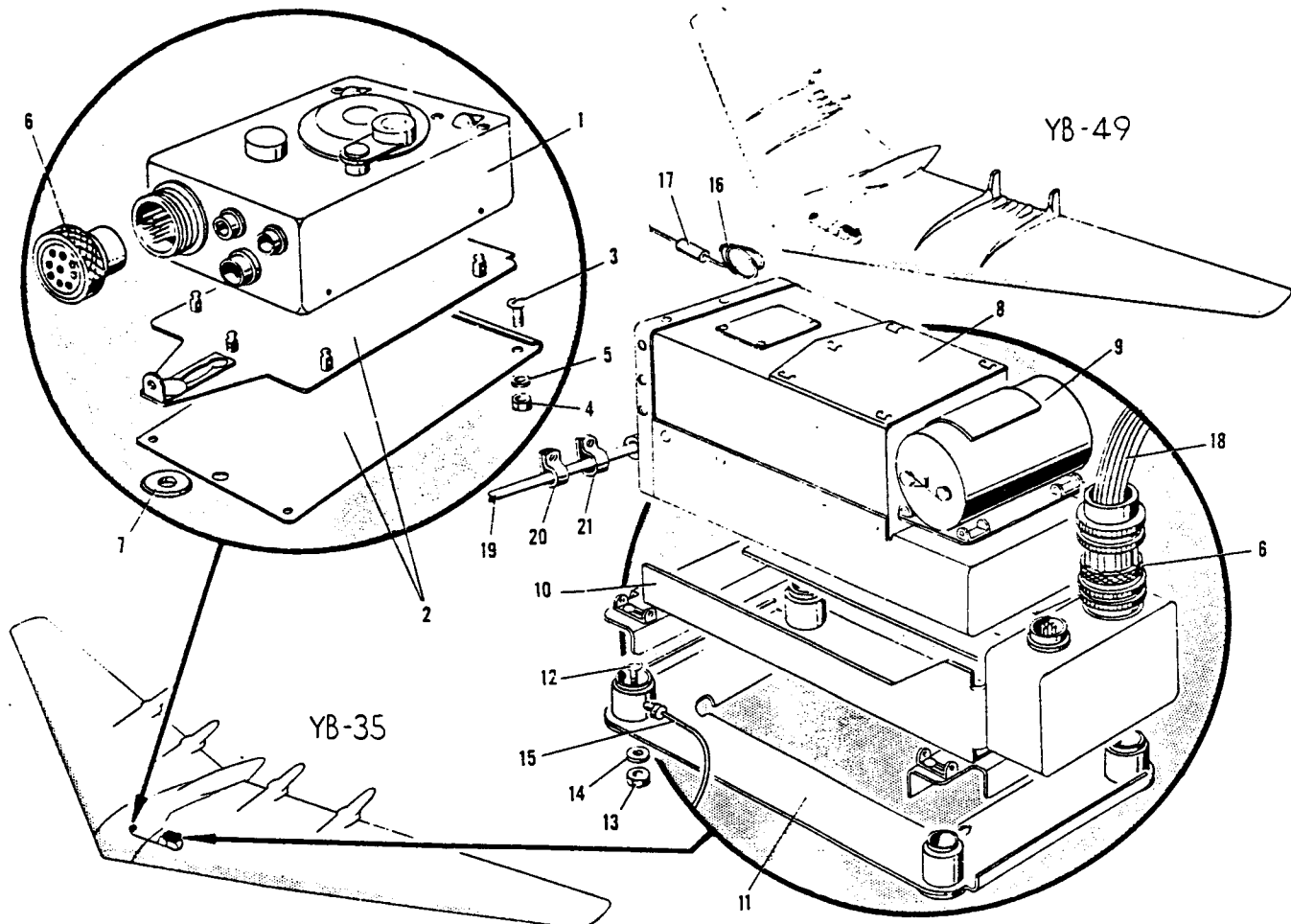


FIGURE 134—SCR-274 LOW FREQUENCY RADIO

SCR-274 LOW FREQUENCY RADIO

FIGURE & INDEX NUMBER	PART NUMBER	NOMENCLATURE	UNITS PER ASSEM	USAGE CODE
		1 2 3 4 5 6 7		
		Radio Installation—SCR-274 low frequency receiver (For next assembly see page 234)	NP	ALL
134 - 1	560461	Control Box—(GFP)	1	ALL
2	BC473A	Mounting—(GFP)	1	ALL
	FT235A	Attaching Parts		
3	AN515-8R8	Screw—Round head machine (coarse thread)	4	ALL
4	AN365-832	Nut—Self locking	4	ALL
5	AN960D8	Washer—Plain	2	ALL
6	MC211A	Coupling—(GFP)	1	ALL
7	AN931-16-22	Grommet—Elastic	1	ALL
8	BC453	Receiver—(GFP)	1	ALL
9	DM32A	Dynamotor—(GFP)	1	ALL
10	FT233A	Receiver Rack—(GFP)	1	ALL
11	FT231A	Receiver Mounting—(GFP)	4	ALL
		Attaching Parts		
12	AN515-8R12	Screw—Round head machine (coarse thread)	4	ALL
13	AN365-832	Nut—Self locking	4	ALL
14	AN960D8	Washer—Plain	1	ALL
15	RC31AE105M	Resistor—(GFP)	1	ALL
16	30W20-0-0-6	Wire Assembly	1	ALL
17	30W16-4-0-3	Wire Assembly—(Ground wire)	1	ALL
18	460462	Cable Assembly—SCR-274 receiver to control box	1	ALL
19	560461-4	Tuning Shaft Assembly—SCR-274 radio (make from MC-215 tuning shaft) (GFP)	8	ALL
20	666-4	Harness Clip—(AP)	14	ALL
21	666-6	Harness Clip—(AP)		

RESTRICTED

RADIO GROUP

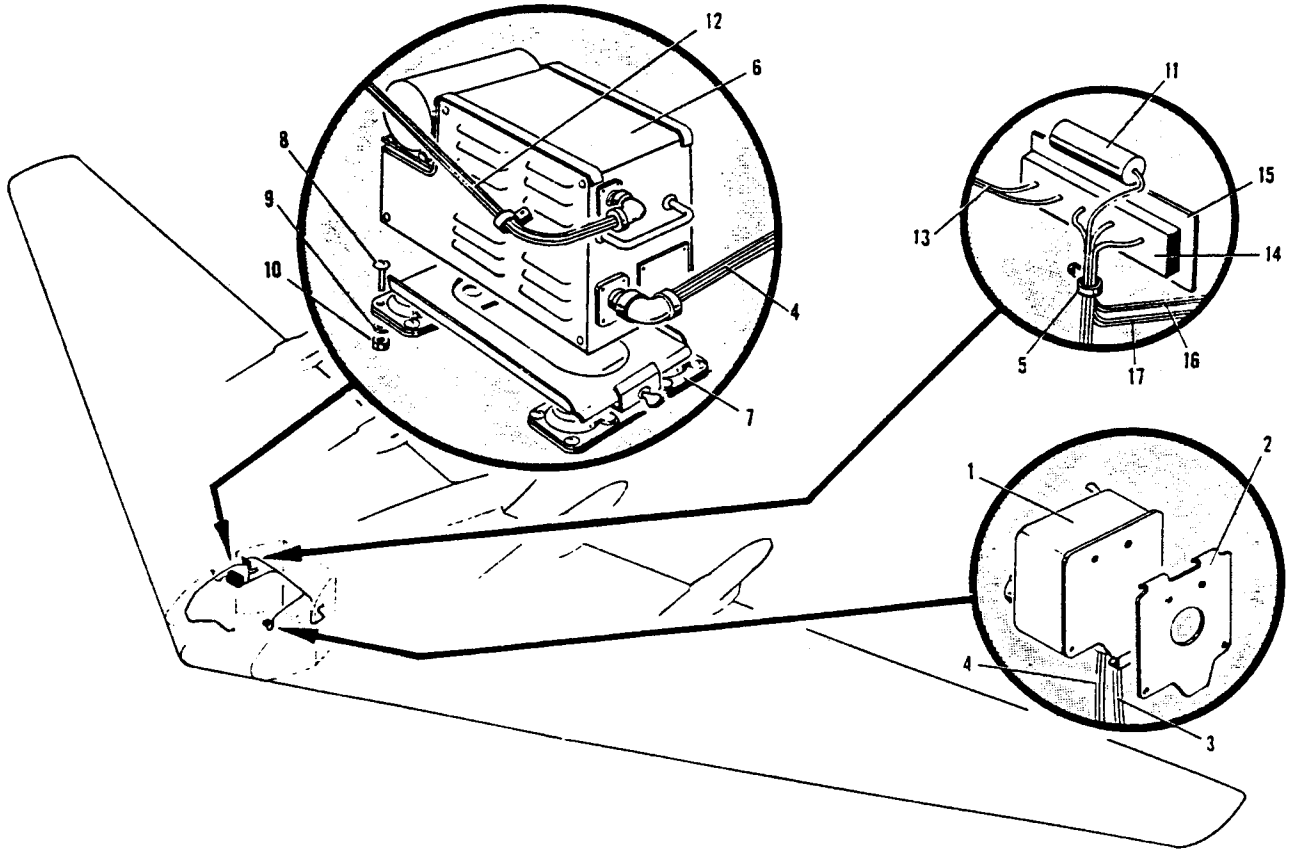


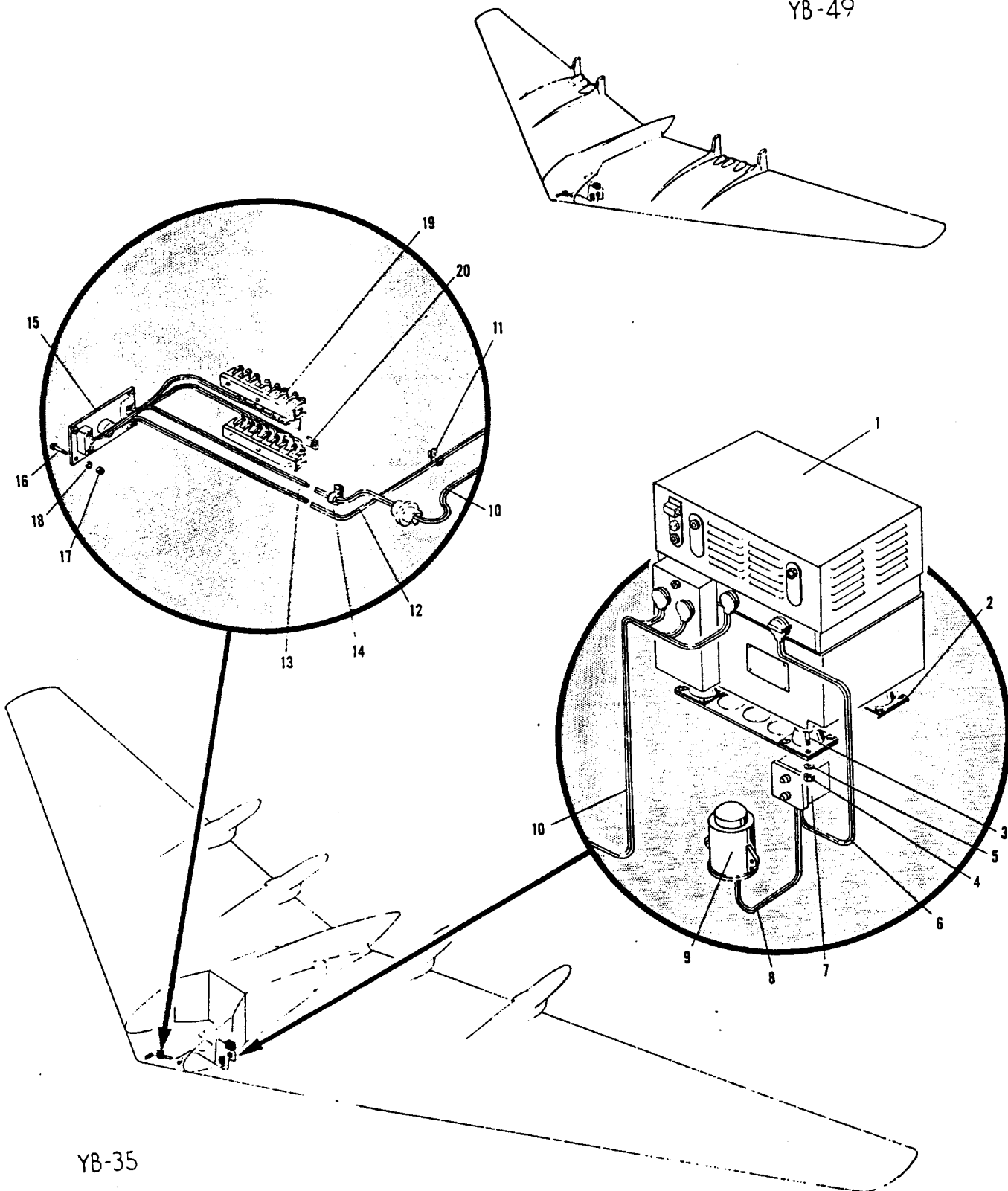
FIGURE 135—RC-103 RADIO

RC-103 RADIO

FIGURE & INDEX NUMBER	PART NUMBER	1	2	3	4	5	6	7	NOMENCLATURE	UNITS PER ASSEM	USAGE CODE
135 - 1	551101								Radio Installation—Complete RC-103 (For next assembly see page 234)	NP	ALL
	BC732								Radio Control—(GFP)	1	T
2	FT292								Mounting—(GFP)	1	T
3	460542								Cable Assembly—RC-103 control box to terminal strip	1	T
	460077								Cable Assembly—RC-103 control panel to receiver terminal panel	1	U
	NAS45-8-15								Panel Assembly—Electrical connector	1	U
	NAS21-1-8								Strip—Insulating nut connector panel electrical	4	U
	C410(XA)/A								Control Panel—(GFP)	1	U
	Attaching Parts										
	AN5158R8								Screw—Round head machine (coarse thread)	4	U
	AN960D8								Washer—Plain	4	U
	AN365-832								Nut—Self locking	4	U
4	456449								Cable Assembly—RC-103 radio receiver to control box	1	T
	460094								Cable Assembly—RC-103 radio receiver to receiver terminal panel	1	U
5	666-4								Harness Clip—(AP)	14	ALL
6	BC733								Radio Receiver—(GFP)	1	T
	BC733D								Radio Receiver—(GFP)	1	U
7	FT293								Mounting—(GFP)	1	ALL
	Attaching Parts										
8	AN515-8R7								Screw—Round head machine (coarse thread)	8	ALL
9	AN960D8								Washer—Plain	8	ALL
10	AN365-832								Nut—Self locking	8	ALL
11	30KB1250								Capacitor—(GFP)	1	ALL
	30W014-0-4-7								Wire Assembly	2	ALL
12	456226-6								Connector Assembly—RC-103 radio receiver to antenna	1	ALL
13	456448								Cable Assembly—RC-103 radio terminal strip to pilot's indicator	1	ALL
	666-3								Harness Clip—(AP)	1	ALL
14	RS125								Resistor—(GFP)	1	ALL
15	A216								Terminal Strip—(BRH)	1	ALL
16	456447								Cable Assembly—RC-103 radio terminal strip to navigator's interphone jack box	1	T
17	456446								Cable Assembly—RC-103 radio terminal strip to engineer's junction panel	1	ALL

RESTRICTED
AN 01-15EAA-4
RADIO GROUP

YB-49



YB-35

FIGURE 136—SCR-695 IDENTIFICATION RADIO

RESTRICTED

RADIO GROUP
SCR-695 IDENTIFICATION RADIO

FIGURE & INDEX NUMBER	PART NUMBER	1	2	3	4	5	6	7	NOMENCLATURE	UNITS PER ASSEM	USAGE CODE
	550086								Radio Installation—SCR-695 identification complete (For next assembly see page 234)	NP	T
	561407								Radio Installation—SCR-695 identification complete (For next assembly see page 234)	NP	U
	BC966A								Radio Receiver—(GFP)	1	T
136 - 1	BC966B								Radio Receiver—(GFP)	1	U
2	FT247								Mounting—(GFP)	1	ALL
	Attaching Parts										
	AN520-10R7								Screw—Round head machine (fine thread)	8	T
3	NAS221-8								Screw—Brazier head Phillips recess	16	U
4	AN365-1032								Nut—Self locking	16	ALL
5	AN960D10								Washer—Plain	16	ALL
	456275								Cable Assembly—SCR-695 radio receiver to indicator box	1	T
6	460004								Cable Assembly—SCR-695 radio receiver to indicator box	1	U
7	256222								Box Assembly—SCR-695 indicator	1	ALL
8	460005								Cable Assembly—SCR-695 switch box to indicator box	1	U
	1212B								Fuse Post—(LTF)	1	T
	1401-20								Fuse—(LTF)	3	T
	30W012-6-0-17								Wire Assembly	1	T
	30W012-6-5-18								Wire Assembly	1	U
9	SA3/A								Switch Box—(GFP)	1	ALL
	456270								Cable Assembly—SCR-695 pressurized plug "J" to SA3/A switch box	1	T
10	460003								Cable Assembly—SCR-695 radio receiver to pilot's control panel	1	U
	460262								Cable Assembly—SCR-695 radio receiver to pressurized plug "J"	1	T
	45C201-1								Electrical Clip	10	T
11	666-4								Harness Clip—(AP)	20	ALL
	460263								Cable Assembly—Power control box to circuit breaker	1	T
12	460006								Cable Assembly—SCR-695 control panel to radio junction box	1	U
	460264								Cable Assembly—BC-965A selector control box to pressurized plug "J"	1	T
13	460007								Cable Assembly—SCR-695 radio control panel to nose pressurized plug "J"	1	U
14	666-6								Harness Clip—(AP)	15	ALL
	BC965A								Selector control box—(GFP)	1	T
	BC958A								Power Control Box—(GFP)	1	T
	FT345A								Mounting Plate—(GFP)	1	T
	FT248A								Mounting—(GFP)	1	T
	Attaching Parts										
	NAS221-10								Screws—Brazier head, Phillips recess, bronze and alloy steel	3	T
	AN520-10R8								Screw—Round head machine (fine thread)	3	T
	AN365-1032								Nut—Self locking	3	T
	AN960D10								Washer—Plain	3	T
15	C407(XA)/A								Control Panel—(GFP)	1	U
16	AN515-8R7								Screw—Round head machine (coarse thread)	4	U
17	AN365-832								Nut—Self locking	4	U
18	AN960D8								Washer—Plain	4	U
	456271								Cable Assembly—Pilot's SCR-695 control panel to pressurized plug "J"	1	T
	460261								Cable Assembly—Power control box to switch panel	1	T
	555021								Panel Assembly—SCR-695 switch complete	1	U
19	NAS45-6-8								Panel Assembly—Electrical connector	2	U
20	NAS21-1-6								Strip—Insulating, nut connector panel electrical	6	U

RESTRICTED
AN 01-15EAA-4

RADIO GROUP

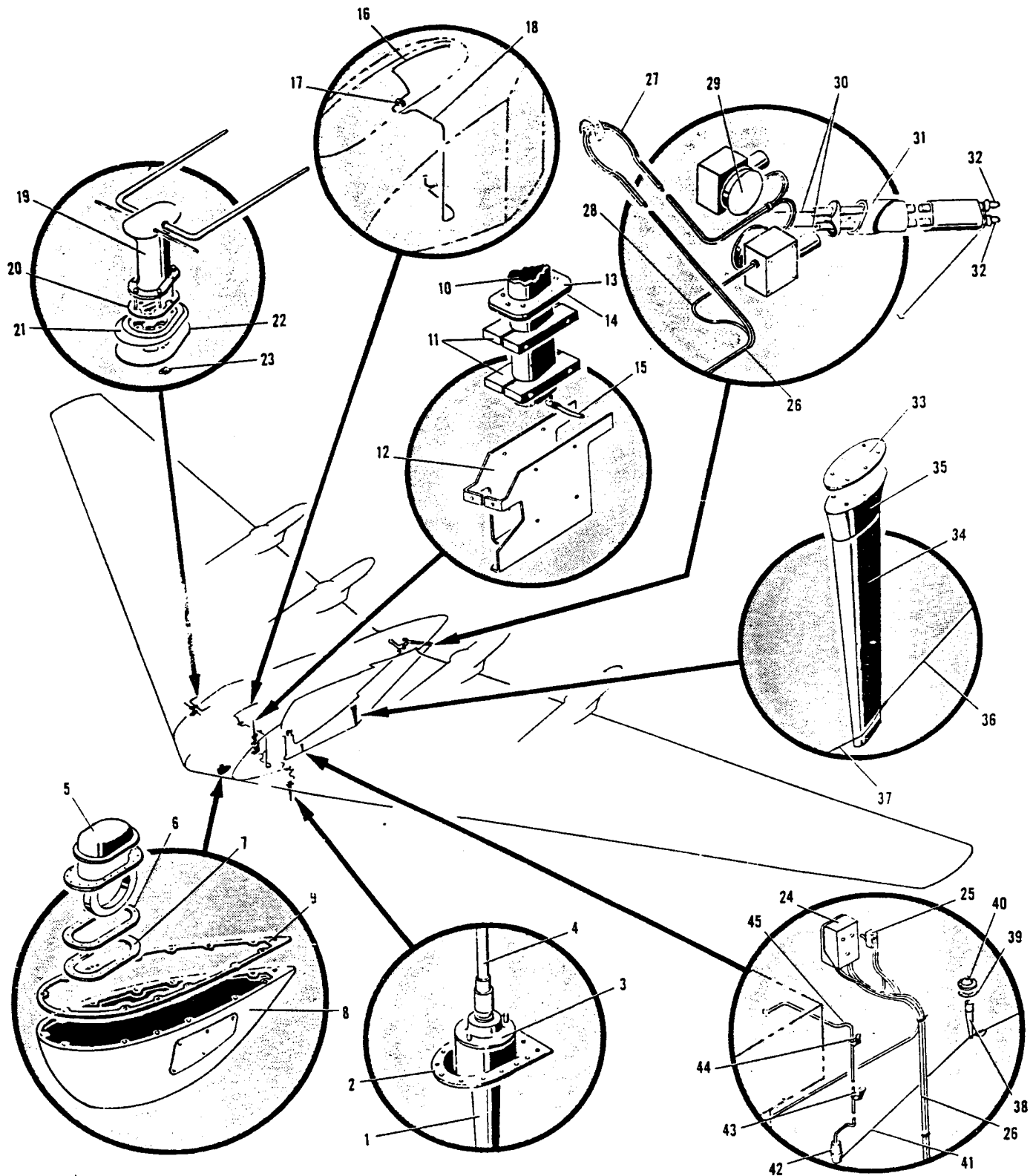


FIGURE 137—COMPLETE ANTENNA

RESTRICTED

RADIO GROUP
COMPLETE ANTENNA

FIGURE & INDEX NUMBER	PART NUMBER	1	2	3	4	5	6	7	NOMENCLATURE	UNITS PER ASSEM	USAGE CODE
	551106	Antenna Installation—Complete (For next assembly see page 134)								NP	T
	560225	Antenna Installation—Complete (For next assembly see page 134)								NP	U
	551115	Antenna Installation—SCR-695 Radio								NP	ALL
137 - 1	AN95	Antenna—(GFP)								1	ALL
2	456699	Support Assembly—SCR-695 radio								1	ALL
3	AN5992-6Z3	Retainer Ring								1	ALL
4	456700	Connector Assembly—Antenna to SCR-695 transmitter								1	ALL
	AN931-6-16	Grommet—Elastic								1	T
	666-4	Harness Clip—(AP)								1	ALL
	461413	Connector Assembly—SCR-695 antenna pressurized bulkhead								3	T
	PL274	Plug—Pressurized (GFP)								1	U
	461412	Connector Assembly—SCR-695 radio to pressurized bulkhead								1	U
	666-4	Clip—Harness (AP)								1	U
	551107	Loop Installation—Radio compass								12	U
5	LP31A	Radio Compass Loop—(GFP)								NP	ALL
6	455477	Gasket—LP-31 loop pressure seal								1	ALL
7	459407	Ring Assembly—Radio compass loop mounting								1	ALL
8	555243	Fairing Assembly—Radio compass loop								1	ALL
9	555493	Gasket—Radio compass loop fairing								1	ALL
	554479	Mast Installation—AN/ARC-3 antenna								1	ALL
10	AN104B	Antenna Mast Assembly—(GFP)								NP	ALL
11	459711	Clamp Assembly—AN/ARC-3 antenna mast								1	ALL
12	559710	Support—AN/ARC-3 antenna mast								2	ALL
13	459709	Seal—AN/ARC-3 antenna mast								1	ALL
14	459708	Plate—AN/ARC-3 antenna mast seat								1	ALL
15	459798	Connector Assembly—Antenna mast to radio transmitter								1	ALL
	559441	Antenna Installation—Radio compass AN/ARN-7								NP	ALL
16	559441-2	Antenna Wire—(Make from W-106-A antenna wire) (GFP)								1	ALL
17	NAS45-8-1	Panel Assembly—Electrical connector								1	ALL
	NAS21-1-8	Strip—Insulating nut connector panel electrical								1	ALL
18	30W020-2-0-150	Wire Assembly								2	ALL
	AN742D4C	Clamp—Loop type support								1	ALL
	551111	Mast Installation—RC-103 radio antenna								15	ALL
19	AS27/() ARN5	Antenna Mast—(GFP)								NP	ALL
20	256499	Gasket—RC-103 antenna mast mount								1	ALL
21	456497	Base—RC-103 radio antenna mast mount								1	ALL
22	456496	Gasket—RC-103 radio antenna mast base mount								1	ALL
23	156498	Adapter—RC-103 radio antenna mast mount								1	ALL
	560055	Antenna Installation—SCR-718 radio altimeter								1	ALL
	AT4/ARN1	Antenna—Transmitter and receiver (GFP)								NP	U
	M359A	Adapter—(GFP)								2	U
	560058	Mount—Radio altimeter rear antenna								2	U
	460060	Cable Assembly—SCR-718 transmitter receiver to aft antenna								1	U
	666-4	Harness Clip—(AP)								1	U
	460061	Cable Assembly—SCR-718 transmitter receiver to forward antenna								5	U
	551112	Antenna Installation—Liaison trailing								1	U
24	BC461	Reel Control Box—(GFP)								NP	ALL
	459867	Box Assembly—Retractable antenna reel control (make from BC-461 reel control box GFP)								1	T
25	8884K3	Switch—(CUT)								1	U
26	456349	Cable Assembly—AN/ARC-8 reel control box to pressurized plug sta .443 crew nacelle								1	ALL
27	456376	Cable Assembly—AN/ARC-8 antenna reels to pressurized plug sta .443 crew nacelle								1	ALL
28	MC-215	Counter Shaft—(GFP)								1	ALL
	156777	Retainer—Retractable antenna counter shaft pressure seal								1	ALL
	156778	Seal—Retractable antenna counter shaft pressure								1	ALL
29	RL42B	Antenna Reel—(GFP)								2	ALL
30	551112-2	Antenna Wire—(Make from W106A wire GFP)								2	ALL
	MC163	Connector Clamp—(GFP)								2	ALL
31	556785	Fairlead Assembly—Trailing antenna								2	ALL
	556785-14	Fairing Assembly—Trailing antenna								1	ALL
32	WT7A	Weight—(GFP)								1	ALL
33	556478	Mast Assembly—Lower rear antenna								2	ALL
	456520	Gasket—Lower aft antenna mast								1	ALL
34	556479-6	Mast Assembly—Antenna								1	ALL
35	556477	Base—Lower rear antenna mast								1	ALL
36	551112-4	Antenna Wire—(Make from W-106A wire GFP)								1	ALL
37	551112-6	Serving Wire—(Make from W-106A wire GFP)								1	ALL
	559452	Mast Installation—Forward liaison								5	ALL
38	560163	Mast Assembly—Liaison radio forward								NP	ALL
39	256406	Gasket—In-84 insulator plate								1	ALL
40	259453	Plate—Forward liaison antenna								1	ALL
41	551112-8	Antenna Wire—(Make from W106A GFP)								1	ALL
42	IN84	Insulator—(GFP)								1	ALL
	156407	Gasket—IN-84 insulator								1	ALL
43	156780	Insulator—Trailing antenna lead-in lower								2	ALL
44	156781	Insulator—Trailing antenna lead-in upper								1	ALL
45	55112-10	Antenna Wire—(Make from W106A GFP)								3	ALL
	IN83	Bead—(GFP)								1	ALL
									400	ALL	

RESTRICTED
AN 01-15EAA-4

RADIO GROUP

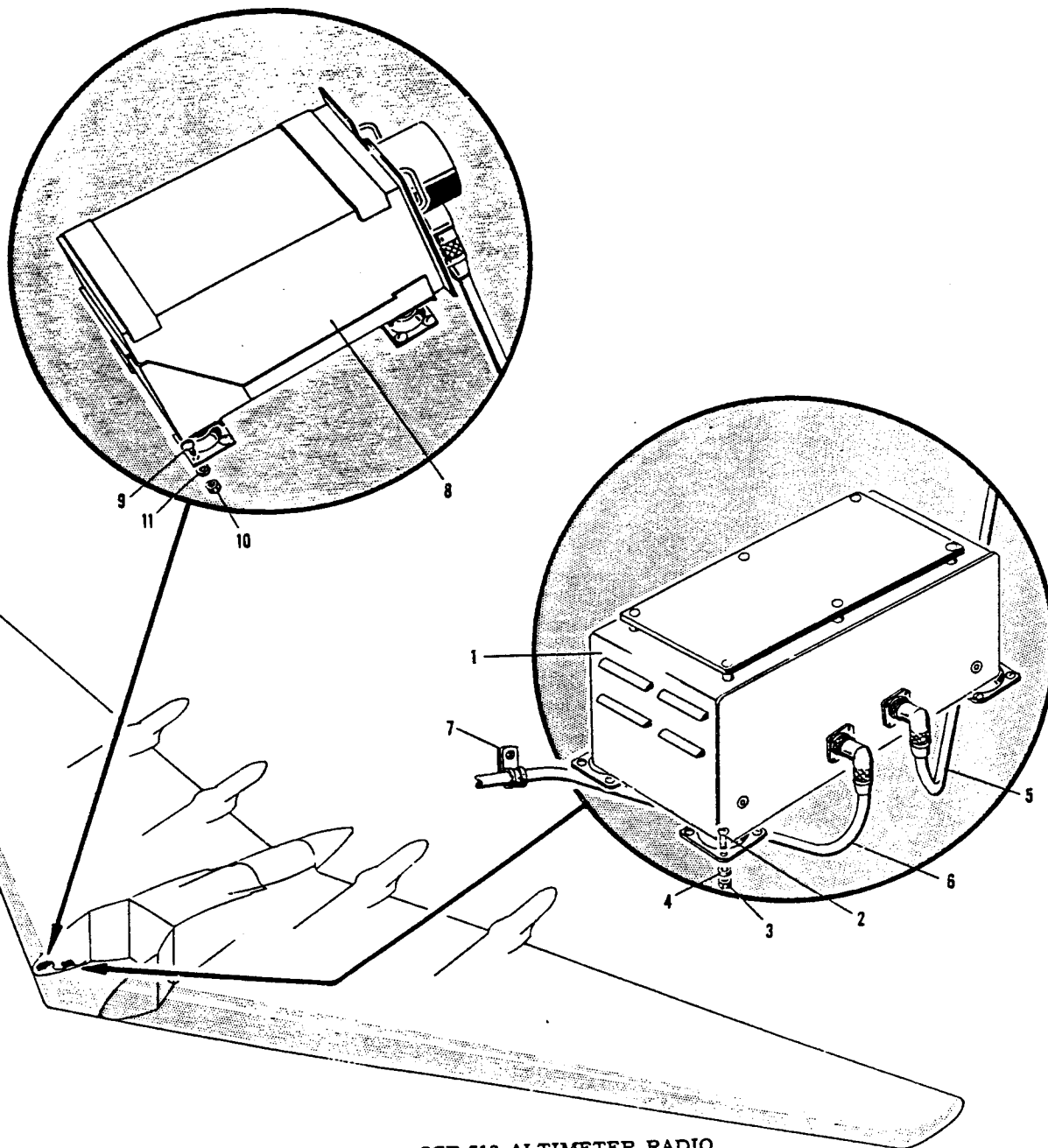


FIGURE 138—SCR-718 ALTIMETER RADIO

FIGURE & INDEX NUMBER	PART NUMBER	NOMENCLATURE	UNITS PER ASSEM	USAGE CODE
		1 2 3 4 5 6 7		
		Radio Installation—SCR-718 altimeter, receiver and transmitter (For next assembly see page 254).	NP	U
138 - 1	560054	Receiver and Transmitter (GFP)	1	U
	BC788 ()	Attaching Parts		
2	AN515-8R10	Screw—Round head machine (coarse thread)	16	U
3	AN365-832	Nut—Self locking	16	U
4	AN960D8	Washer—Plain	16	U
5	456535	Cable Assembly—SCR-718 transmitter receiver to engineer's junction panel	1	U
6	460108	Cable Assembly—SCR-718 transmitter receiver to indicator	1	U
7	666-4	Clamp—(AP)	6	U
8	I52 ()	Indicator—(GFP)	1	U
		Attaching Parts		
9	AN515-8R8	Screw—Round head machine (coarse thread)	15	U
10	AN365-832	Nut—Self locking	15	U
11	AN960D8	Washer—Plain	15	U

RESTRICTED

RADIO GROUP

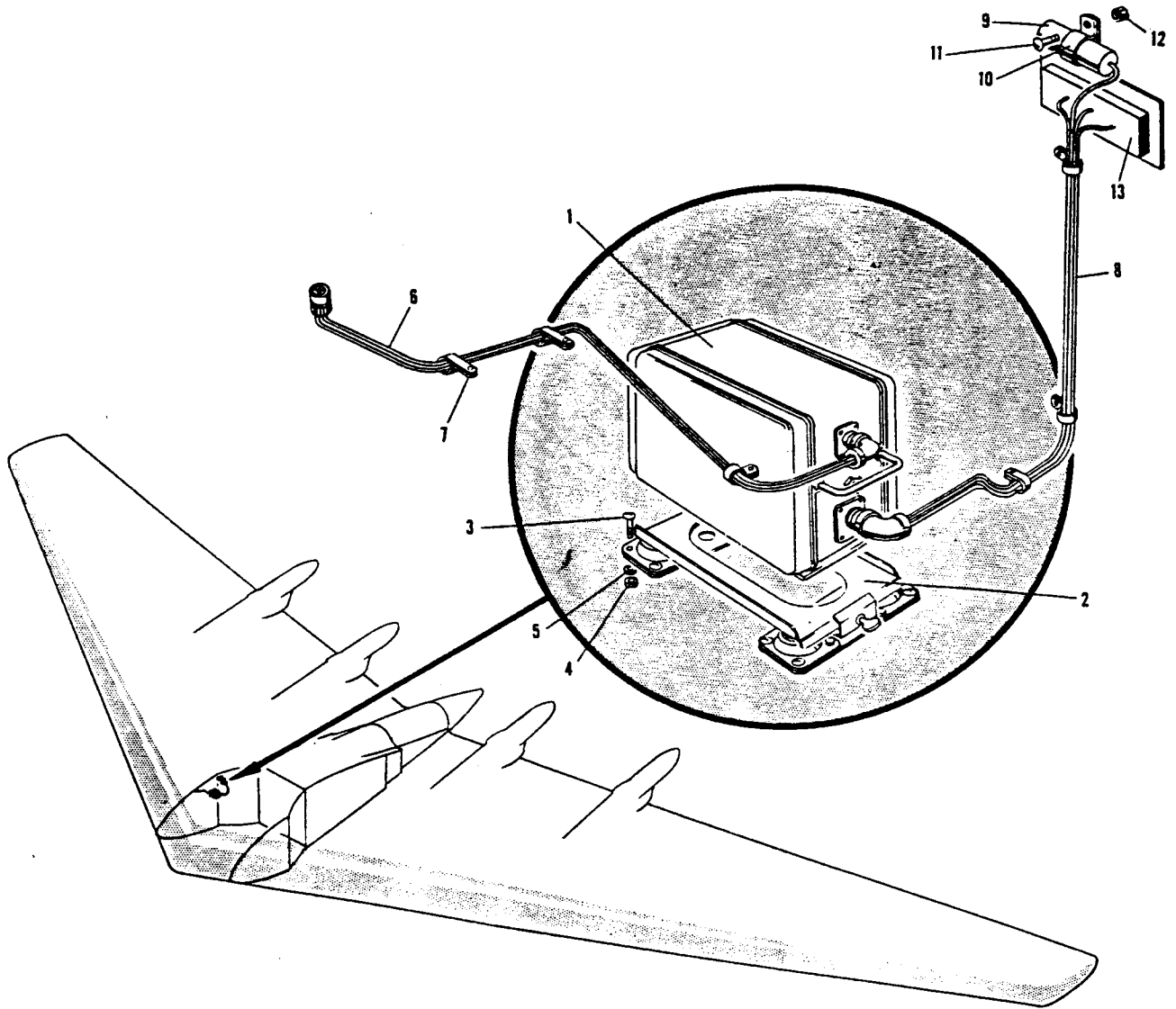


FIGURE 139—AN/ARN-5 GLIDE PATH RADIO

FIGURE & INDEX NUMBER	PART NUMBER	NOMENCLATURE	UNITS PER ASSEM	USAGE CODE
		1 2 3 4 5 6 7		
	556485	Radio Installation—Complete AN/ARN-5 glide path (For next assembly see page 234)	NP	ALL
139 - 1	R47/ARN5	• Radio Receiver—(GFP)	1	T
	R89/ARN5A	• Radio Receiver—(GFP)	1	U
2	MT28()/ARN5	• Mounting—(GFP)	1	ALL
		Attaching Parts		
3	AN515-8R7	• Screw—Round head machine (coarse thread)	8	ALL
4	AN365-832	• Nut—Self locking	8	AEL
5	AN960D8	• Washer—Plain	8	
6	456226-8	• Connector Assembly—Radio receiver to antenna	1	ALL
7	666-4	• Harness Clip—(AP)	6	ALL
8	456486	• Cable Assembly—AN/ARN5 radio receiver to terminal strip	1	ALL
9	30KB1250	• Capacitor—(GFP)	1	ALL
		Attaching Parts		
10	AN742-22	• Clamp—Loop type support	1	ALL
11	AN530-8R10	• Screw—Round head sheet metal	1	ALL
12	A1778-8Z3	• Nut—(TIN)	1	ALL
13	RS125	• Resistor—(GFP)	1	ALL

RESTRICTED
AN 01-15EAA-4

RADIO GROUP

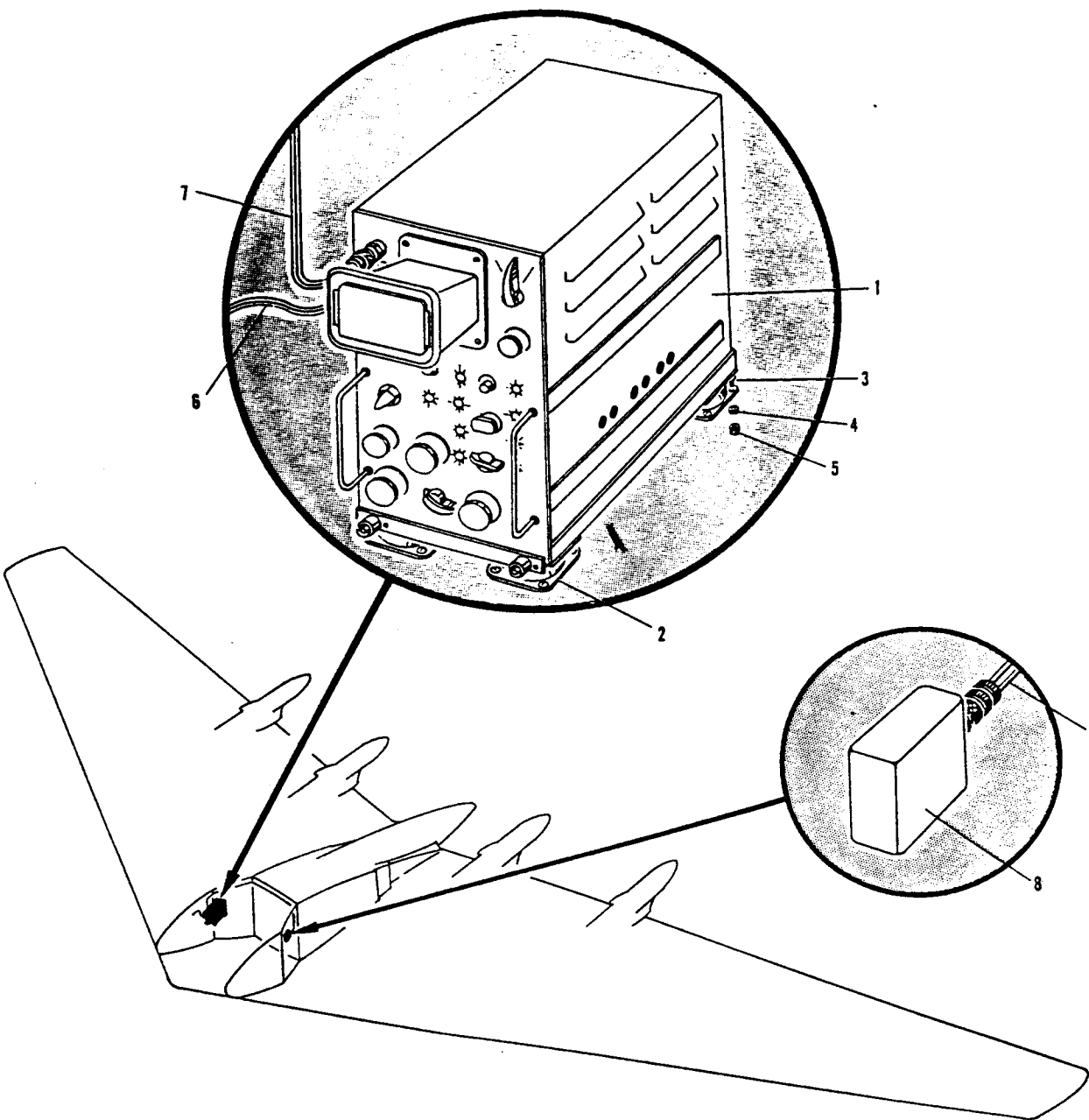


FIGURE 140—APN/9 LORAN RADIO

APN/9 LORAN RADIO

FIGURE & INDEX NUMBER	PART NUMBER	NOMENCLATURE	UNITS PER ASSEM	USAGE CODE
		1 2 3 4 5 6 7		
140 - 1	561156	Radio Installation—APN/9 Loran (For next assembly see page 234)	NP	U
2	R65/APN9	• Loran Receiver Indicator—(GFP)	1	U
	MT203/APN	• Mounting (GFP)	1	U
		Attaching Parts	16	U
3	AN3-5A	• Bolt—Aircraft (#10-32)	32	U
4	AN960D10	• Washer—Plain	16	U
5	AN365-1032	• Nut—Self locking		U
6	461158	• Cable Assembly—Radar limiter panel to AN/APN-9	1	U
7	461174	• Cable Assembly—APN-9 loran receiver indicator to CU92/APN coupling unit	1	U
8	CU92/APN	• Antenna Coupling Unit—(GFP)		U

RESTRICTED

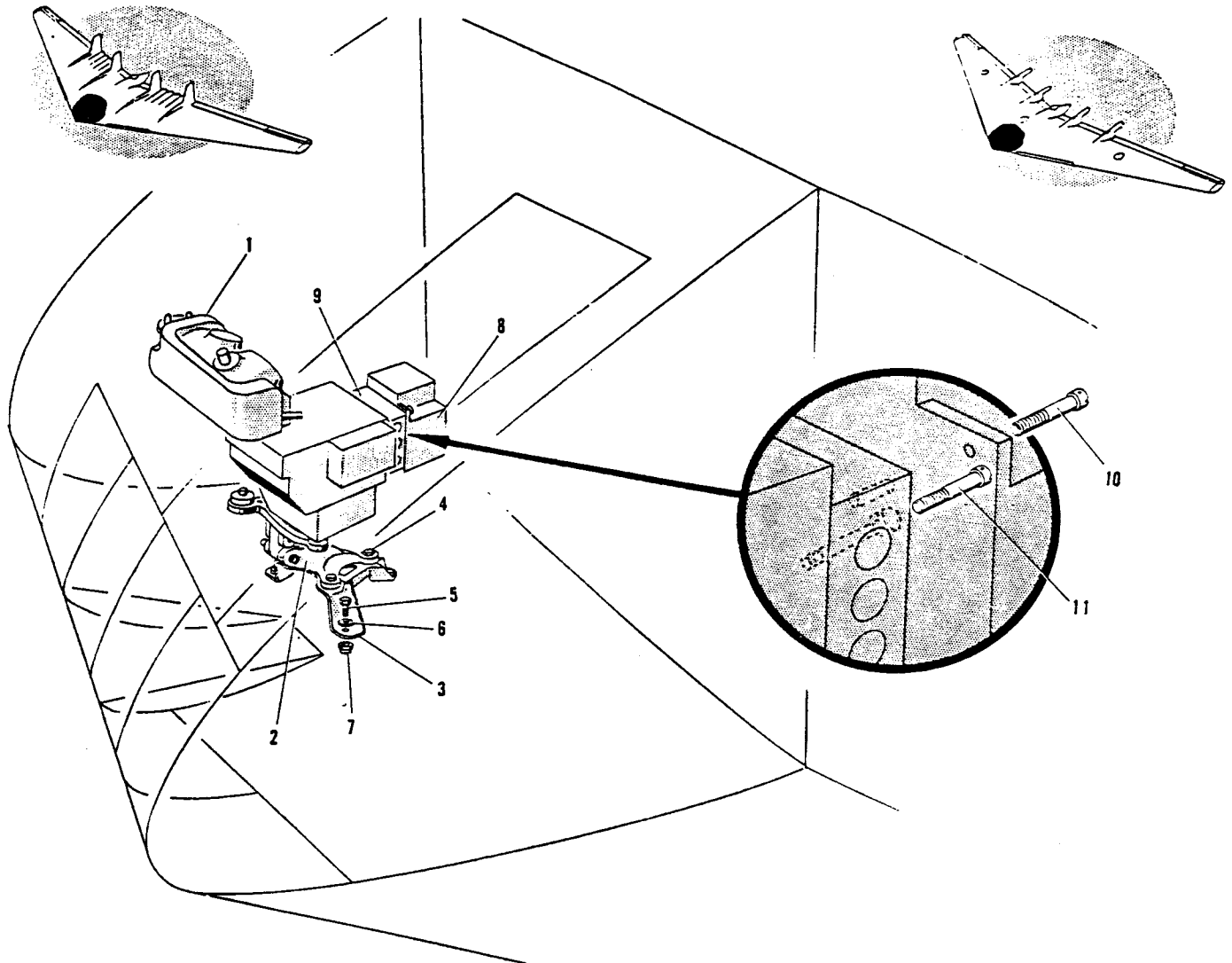


FIGURE 141—BOMB SIGHT

FIGURE & INDEX NUMBER	PART NUMBER	1 2 3 4 5 6 7	NOMENCLATURE	UNITS PER ASSEM	USAGE CODE
141 - 1	551045		Installation—Bomb sight (For next assembly see page 12)		
	No Number		• Bomb Sight—M series (GFP) (AER 64-4081)	NP	XE
2	43J11779		• Mount—Bomb sight type B7 (Spec 24809) (GFP) (AER 64-2272)	1	XE
3	551423		• Bracket—Bomb sight mount	1	XE
	Attaching Parts				
4	AN4-10A		• Bolt—Aircraft 1/4-28	1	XE
5	AN4-7A		• Bolt—Aircraft 1/4-28	2	XE
6	AN960D416		• Washer—Plain	4	XE
7	AN365-428		• Nut—Self locking	2	XE
8	No Number		• Attachment—Glide angle (Spec R24716A) (GFP) (AER 64-125)	12	XE
9	45A16416		• Spacer—(GFP)	6	XE
10	AN500-8-10		• Screw—Fillister head coarse thread	1	XE
11	AN500-8-28		• Screw—Fillister head coarse thread	2	XE
			• Screw—Fillister head coarse thread	3	XE
			• Screw—Fillister head coarse thread	5	XE

RESTRICTED
AN 01-15EAA-4
ARMAMENT GROUP

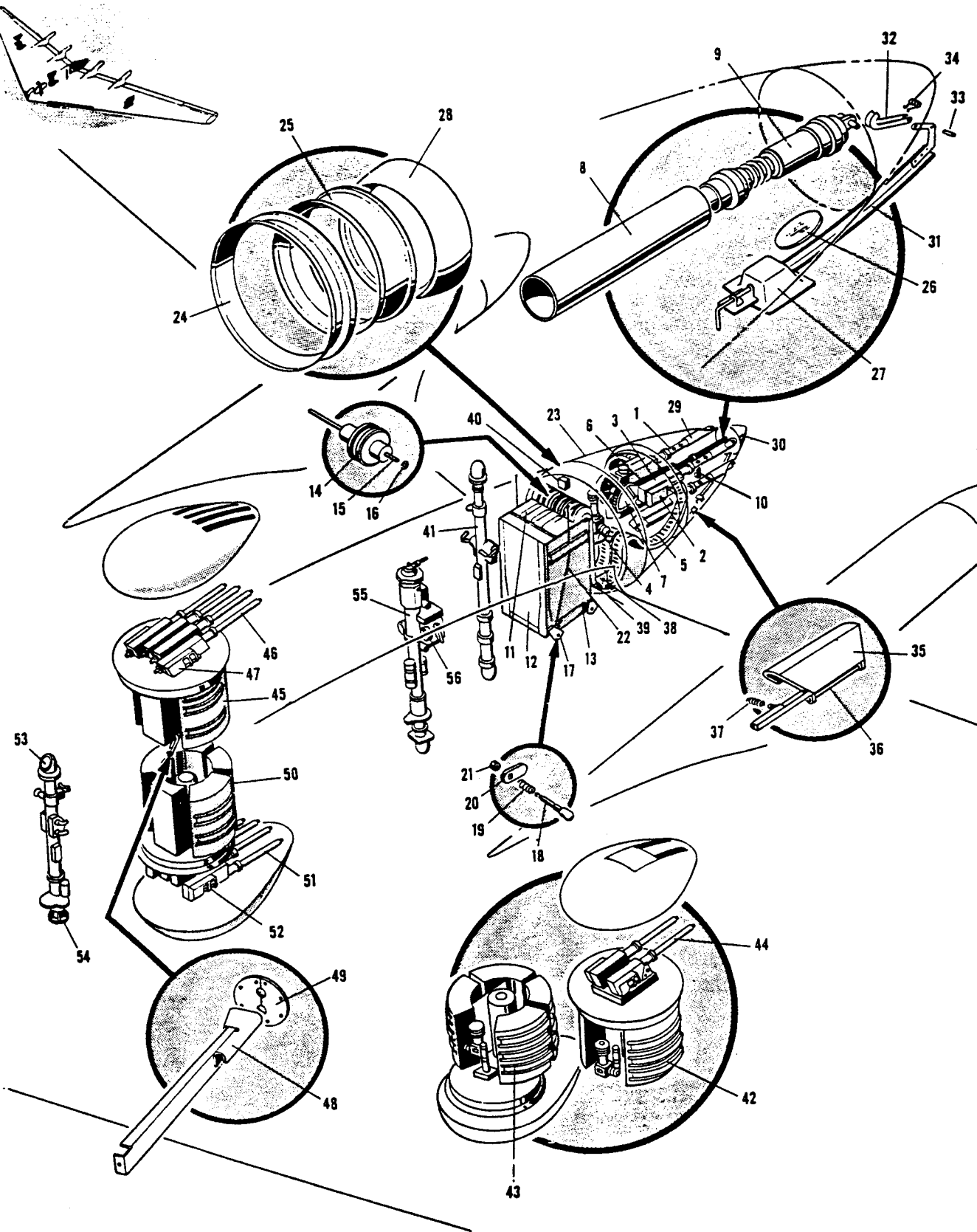


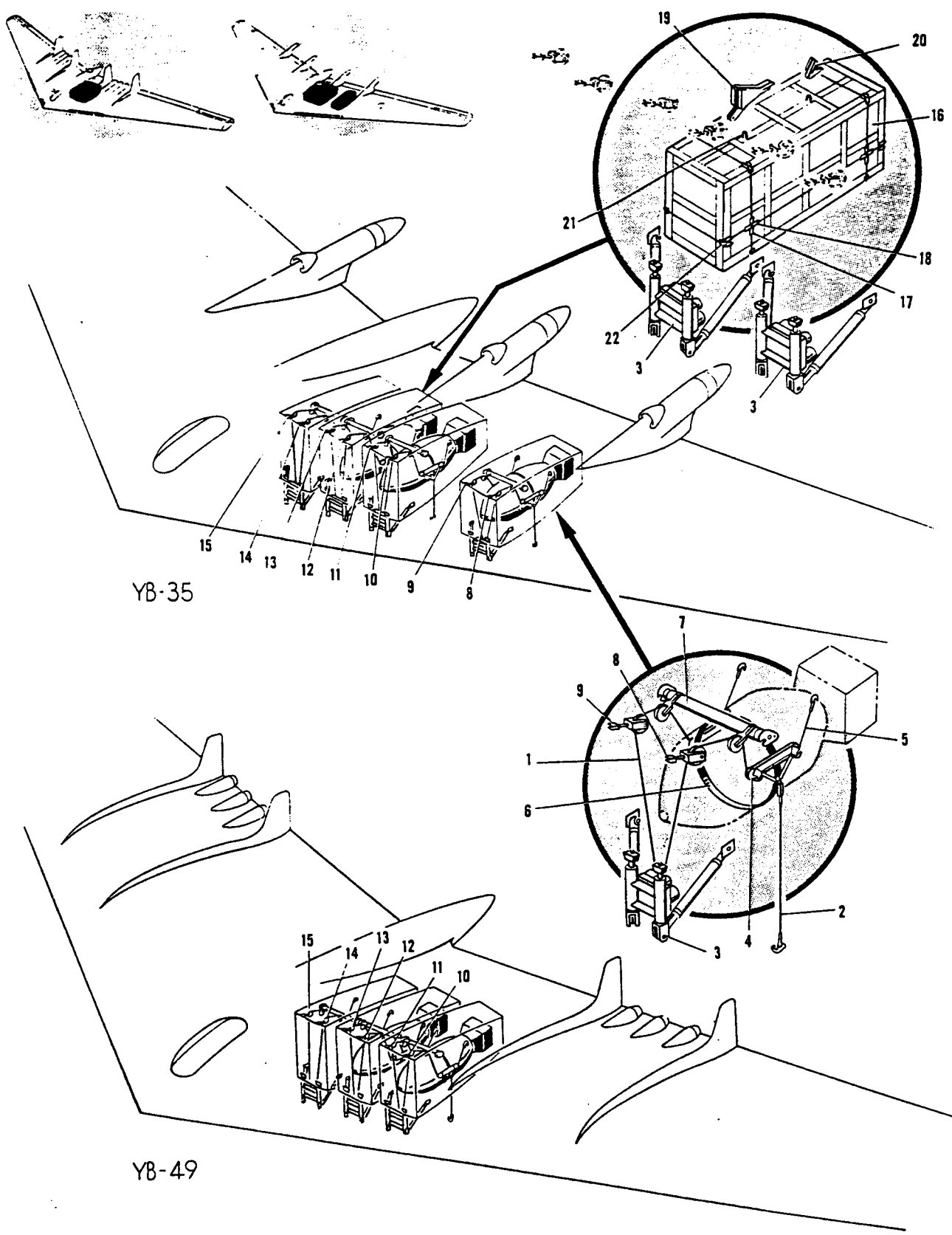
FIGURE 142—CENTRAL FIRE STATION CONTROL

RESTRICTED

ARMAMENT GROUP
CENTRAL FIRE STATION CONTROL

FIGURE & INDEX NUMBER	PART NUMBER	1	2	3	4	5	6	7	NOMENCLATURE	UNITS PER ASSEM	USAGE CODE
	551027								Control Installation—Central fire station (For next assembly see page 13)	NP	C
	551028								Turret Installation—Tail	NP	C
142 - 1	H39G5332								Gun—.50 cal machine type M2 (GFP) (AER 93-1560)	4	C
2	T8252878								Charger—Gun group 1 (GFP) (AER 52-1720)	4	C
3	44B25259								Heater—Gun type AN-J4 (GFP) (AER 52-2770)	4	C
4	104-2000-2								Booster—Hughes Model H1A (HUG)	2	C
	104-2000-3								Booster—Hughes Model H1A (HUG)	2	C
5	551028-2								Chute—Flexible ammunition feed (Make from H250LC45LBSLG4) (HUG)	2	C
	551028-3								Chute—Flexible ammunition feed (Make from H250RC45RBSG4) (HUG)	2	C
6	551029								Turret Assembly—4 gun .50 cal tail	1	C
7	NTM								Turret—Tail (GFP)	1	C
8	451402								Tube Assembly—Tail turret fairing retainer	1	C
9	451400								Retainer Assembly—Tail turret fairing	1	C
10	NTM-X148E								Bracket—Camera (GFP)	1	C
	551674								Box Assembly—Tail turret ammunition	1	C
11	551674-4								Cover Assembly—Tail turret ammunition	1	C
12	551674-								Box Assembly—Tail turret ammunition	1	C
13	153172								Hood Assembly—Tail turret ammunition hoist cable	1	C
14	451675								Roller Assembly—Tail turret ammunition box	4	C
15	151682								Pin—Tail turret ammunition roller	1	C
16	AN960-10L								Washer—Plain	6	C
17	561618								Bracket Assembly—Tail target ammunition box forward latch LH	1	C
	561618-1								Bracket Assembly—Tail target ammunition box forward latch RH	1	C
	561617								Bracket Assembly—Tail target ammunition box aft latch LH	1	C
	561617-1								Bracket Assembly—Tail target ammunition box aft latch RH	1	C
18	151678								Plunger—Tail turret ammunition box latch	4	C
19	151679								Spring—Tail turret ammunition box latch	4	C
20	151680								Arm—Tail turret ammunition box latch release LH	2	C
	151680-1								Arm—Tail turret ammunition box latch release RH	2	C
21	AN365-1032								Nut—Self locking	4	C
22	251031								Cable Assembly—Tail turret ammunition hoist	1	C
	557063								Fairing Assembly—Tail turret	1	C
23	557063-2								Fairing Assembly—Tail turret	1	C
24	557102								Bearing—Tail turret fairing forward sphere	1	C
25	557104								Bearing—Tail turret fairing aft outside sphere	1	C
	557063-10								Fairing Assembly—Tail turret	1	C
26	557063-48								Glass—Tail turret	1	C
	557063-54								Fairing Assembly—Tail turret	1	C
27	557063-52								Cup Assembly—Tail turret	1	C
	257101								Lock Assembly—Tail turret fairing latch handle	1	C
28	557103								Bearing Assembly—Tail turret fairing aft inside sphere	1	C
29	560160								Tube Assembly—Tail turret blast	4	C
30	460471								Cover—Tail turret fairing latch	1	C
31	557097								Handle Assembly—Tail turret fairing latch	1	C
32	457094								Hook Assembly—Tail turret fairing latch toggle	1	C
33	157092								Pin—Tail turret fairing latch	1	C
34	157093								Spring—Tail turret fairing latch torque	1	C
35	551583								Door Assembly—Tail turret case and link ejection LH	1	C
	551583-1								Door Assembly—Tail turret case and link ejection RH	1	C
36	151620								Pin—Tail turret case and link ejection chute	2	C
37	151642								Spring—Tail turret case and link ejection chute	1	C
38	560439								Housing Assembly—Sta 475 tail turret ammunition booster LH	2	C
	560439-1								Housing Assembly—Sta 475 tail turret ammunition booster RH	2	C
39	190990								Clip—(HUG)	4	C
	551160								Electrical Installation—Tail turret	NP	C
40	559260								Box Assembly—Tail mount gun heater junction	1	C
	459280								Cable Assembly—Tail gun heater box to tail turret gun heaters	1	C
41	551040								Sight Installation—Rear double ended periscope	NP	C
	551040-2								Sight Assembly—Rear double ended periscope	1	C
	2CSD3A2								Sight—Periscope (G P)	1	C
	475232								Pan—Crew nacelle sta 423.0785 periscope sight support upper	1	C
	475234								Gasket—Crew nacelle sta 423.0785 periscope sight support	1	C
42	551033								Turret Installation—Upper two gun .50 cal wing	NP	C
43	551034								Turret Installation—Lower two gun .50 cal wing	NP	C
	2CGD50URF2								Turret—2 gun (GFP) (GE Dwg. W-8677112)	2	C
	2CGD50URF1								Turret—2 gun (GFP) (GE Dwg. W-8677112)	2	C
44	H39G5332								Gun—.50 cal machine type M2 (GFP) (AER 93-1560)	8	C
	T8252878								Charger—Gun (Group 1) (GFP) (AER 52-1720)	8	C
	551035								Turret Installation—Upper four gun .50 cal crew nacelle	NP	C
45	2CGQ50URC1								Turret—4 gun (GFP) (GE Dwg. 8676128)	1	C
46	H39G5332								Gun—.50 cal machine type M2 (GFP) (AER 93-1560)	4	C
47	T8252878								Charger—Gun (GFP) (AER 52-1720)	4	C
48	556309								Shield Assembly—Cabin turrets wiring	1	C
49	256310								Plate—Cabin turrets wiring support	2	C
	551038								Turret Installation—Lower four gun .50 cal crew nacelle	NP	C
50	2CGQ50LRA1								Turret—4 gun (GFP) (GE Dwg. 8676129)	1	C
51	H39G5332								Gun—.50 cal machine type M2 (GFP) (AER 93-1560)	4	C
52	T8252878								Charger—Gun (GFP) (AER 52-1720)	4	C
	551039								Sight Installation—Upper forward periscope	NP	C
	551039-2								Sight Assembly—Upper forward periscope	1	C
53	2CSU3A2								Sight—Periscope (GFP)	1	C
54	453065								Plate—Upper forward periscope adjustment	1	C
	453063								Bracket Assembly—Upper forward periscope anti-rotation bar	1	C
55	552190								Sight Installation—Rear lower periscope	NP	C
	552190-2								Sight Assembly—Rear lower periscope	1	C
56	2CSL3A2								Sight—Periscope (GFP)	1	C
	475232								Pan—Crew nacelle sta 423.0785 periscope sight support upper	1	C
	475234								Gasket—Crew nacelle sta 423.0785 periscope sight support	1	C

RESTRICTED
AN 01-15EAA-4
ARMAMENT GROUP



YB-35

YB-49

FIGURE 143—BOMBING EQUIPMENT

RESTRICTED

ARMAMENT GROUP
BOMBING EQUIPMENT

FIGURE & INDEX NUMBER	PART NUMBER	NOMENCLATURE							UNITS PER ASSEM	USAGE CODE
		1	2	3	4	5	6	7		
	551044	Equipment Installation—Bombing (For next assembly see page 13)							NP	XE
	553084	Rack Installation—First airplane bomb (For detail breakdown see page 255)							NP	XE
	552584	Rack Installation—500 to 1000 lb. bomb (For detail breakdown see page 255)							NP	XE
	552585	Rack Installation—1600 to 2000 lb. bomb (For detail breakdown see page 255)							NP	XE
	552586	Support Installation—4000 lb. bomb (For detail breakdown see page 255)							NP	XE
	551048	Charts Installation—Bomb instruction folders and (For detail breakdown see page 255)							NP	XE
	551047	Hoist Installation—500 and 1000 lb. bomb							*NP	XE
	552963	Hoist Installation—1600 and 2000 lb. bomb							*NP	XE
	552964	Hoist Installation—4000 lb. bomb							*NP	XE
	450752	Hoist Assembly—Bomb and ammunition							2	XE
	43G15774	Hoist—Bomb type C6 (Spec. AAF24834) (GFP) (AER 64-2210)							1	XE
143 - 1	455435	Cable Assembly—4000 lb. hoisting auxiliary							8	XE
2	552623	Support Assembly—Bomb hoist							2	XE
3	552624	Frame Assembly—Bomb hoist support							1	XE
	552631	Brace Assembly—Bomb hoist support							2	XE
	452625	Bracket—Bomb hoist support swivel							2	XE
	452632	Fork Assembly—Bomb hoist support threaded							2	XE
	252636	Pin Assembly—Bomb hoist support swivel							2	XE
	152635	Pin—Bomb hoist support							4	XE
4	45K4571	Adapter—02 (GFP) (AER 64-4155)							2	XE
5	43B15777	Cable—Hoist C6							2	XE
6	42D6433	Sling—A2 (GFP) (AER 64-4150)							2	XE
7	555817	Beam Assembly—Bomb hoist cross							1	XE
	555815	Tube Assembly—Bomb hoist cross beam long							1	XE
	455816	Tube Assembly—Bomb hoist cross beam short							1	XE
	455813	Support Assembly—Bomb hoist cross beam LH							1	XE
	455813-1	Support Assembly—Bomb hoist cross beam RH							1	XE
	255818	Cable Assembly—Bomb hoist cross beam retainer							1	XE
	453258	Pulley Assembly—Bomb hoist cross beam							2	XE
Attaching Parts										
	AN4-42A	Bolt—Aircraft 1/4-28							2	XE
	AN4-12A	Bolt—Aircraft 1/4-28							2	XE
	AN4-10A	Bolt—Aircraft 1/4-28							2	XE
	AN960D416	Washer—Plain							14	XE
	AN365-428	Nut—Self locking							6	XE
	555495	Pulley Installation—Bomb hoist lead off LH							NP	XE
	555495-1	Pulley Installation—Bomb hoist lead off RH							NP	XE
8	453259-2	Pulley Assembly—Bomb hoist lead off							1	X
9	453259-4	Pulley Assembly—Bomb hoist lead off							1	X
10	453259-6	Pulley Assembly—Bomb hoist lead off							1	XE
11	453259-8	Pulley Assembly—Bomb hoist lead off							1	XE
12	453259-10	Pulley Assembly—Bomb hoist lead off							1	XE
13	453259-12	Pulley Assembly—Bomb hoist lead off							1	XE
14	453259-14	Pulley Assembly—Bomb hoist lead off							1	X
15	453259-16	Pulley Assembly—Bomb hoist lead off							1	X
	453259-18	Pulley Assembly—Bomb hoist lead off							1	E
Attaching Parts										
	AN6-23A	Bolt—Aircraft							8	XE
	AN960D616L	Washer—Plain							8	XE
	AN365-624	Nut—Self locking							8	XE
Stowage Installation—Bombing equipment										
16	551062	Box Assembly—Armament stowage and shipping							NP	XE
	556216-56	Box Assembly—Armament stowage and shipping							1	XE
	556216-58	Box Assembly—Armament stowage and shipping							1	XE
17	256217	Lug—Armament stowage and shipping box horizontal support							4	XE
18	256218	Lug—Armament stowage and shipping box vertical support							4	XE
	AN6-44A	Bolt—Aircraft (3/8-24)							4	XE
	AN960D616	Washer—Plain							4	XE
	AN364-624	Nut—Self locking							4	XE
	AN161-32LL	Fork—Turnbuckle							6	XE
	10C405-5800	Cable Assembly							2	XE
	10C417-5710	Cable Assembly							4	XE
	10C405-6680	Cable Assembly							2	XE
	10C416-2730	Cable Assembly							8	XE
	10C516-3360	Cable Assembly							4	XE
	10C517-1630	Cable Assembly							4	XE
	10C405-5963	Cable Assembly							4	XE
	AN155-32L	Barrel—Turnbuckle							20	XE
	AN394-15	Pin—Flat head 1/4							12	XE
	AN395-19	Pin—Flat head 4/16							4	XE
19	556261	Bracket Assembly—Bomb equipment stowage hoist pulley LH							1	XE
	556261-1	Bracket Assembly—Bomb equipment stowage hoist pulley RH							1	XE
20	556262	Bracket—Bomb equipment stowage hoist pulley LH							1	XE
	556262-1	Bracket—Bomb equipment stowage hoist pulley RH							1	XE
Attaching Parts										
	AN3-4A	Bolt—Aircraft 10-32							8	XE
	AN3-6A	Bolt—Aircraft 10-32							6	XE
	AN960D10L	Washer—Plain							14	XE
	AN960D10	Washer—Plain							6	XE
21	261958	Hook Assembly—Armament stowage and shipping box hoist							2	X
	AN365-624	Nut—Self locking							4	XE
22	256214	Guide—Armament stowage and shipping box cable							4	XE
	AN545-16-10	Screw—Round head wood							24	XE

*8 used on YB-35, 6 used on YB-49.

*6 used on YB-35, 4 used on YB-49.

RESTRICTED
AN 01-15EAA-4
ARMAMENT GROUP

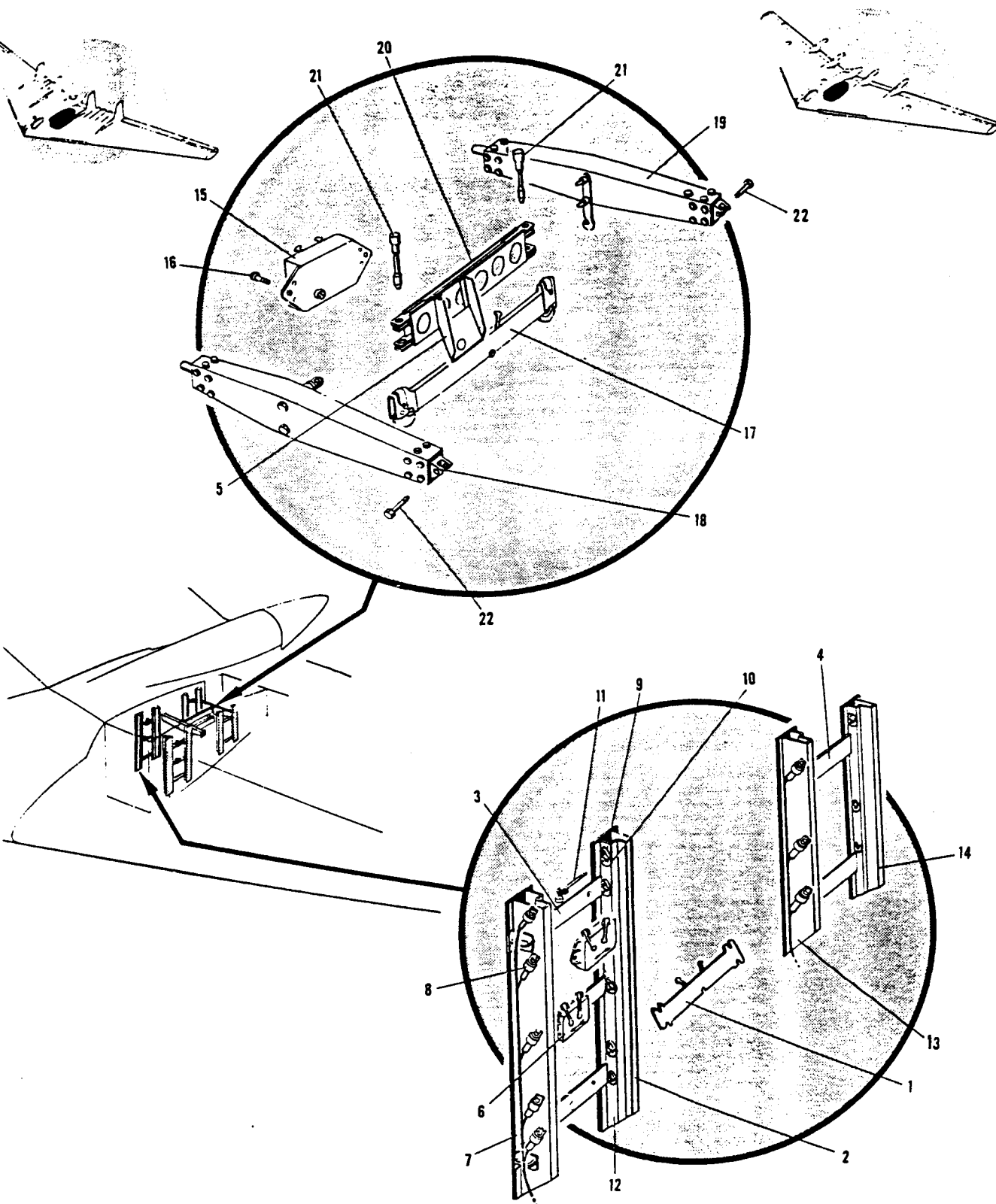


FIGURE 144—BOMB RACKS

RESTRICTED

RESTRICTED
AN 01-15EAA-4

Section II
Group Assembly Parts List

ARMAMENT GROUP
BOMB RACKS

FIGURE & INDEX NUMBER	PART NUMBER	NOMENCLATURE	UNITS PER ASSEM	USAGE CODE
		1 2 3 4 5 6 7		
	553084	Rack Installation—First airplane bomb (No. 4 & No. 5 bomb bay) (For next assembly see page 253)	**NP	XE
144 - 1	43G19840L	Release—A4 LH (GFP) (AER 64-3430)	5	XE
	43G19840R	Release—A4 RH (GFP) (AER 64-3431)	5	XE
	AN4H6A	Bolt—Aircraft 1 4-28	20	XE
2	33D5226	Shackle—B7 (AER 64-3600)	10	XE
	553083	Panel Installation—First airplane bomb rack	NP	XE
3	553081	Panel Assembly—First airplane forward tier bomb rack LH	1	XE
	553081-1	Panel Assembly—First airplane forward tier bomb rack RH	1	XE
4	553082	Panel Assembly—First airplane aft tier bomb rack LH	1	XE
	553082-1	Panel Assembly—First airplane aft tier bomb rack RH	1	XE
5	43B11200	Receptacle Assembly—Type A1 (GFP) (AER 64-2900)	2	XE
	552584	Rack Installation—500 to 1000 lb. bomb (For next assembly see page 253)	**NP	XE
6	43G19840L	Release—A4 LH (GFP) (AER 64-3430)	5	XE
	43G19840R	Release—A4 RH (GFP) (AER 64-3431)	5	XE
	AN4H6A	Bolt—Aircraft 1 4-28	20	XE
	33D5226	Shackle—B7 (GFP) (AER 64-3600)	10	XE
	452575-2	Tube Assembly—Panel support and bomb rail cross	4	XE
	552405	Panel Assembly—Forward tier bomb rack release LH	1	XE
	552405-1	Panel Assembly—Forward tier bomb rack release RH	1	XE
	552406	Panel Assembly—Aft tier rack release LH	1	XE
	552406-1	Panel Assembly—Aft tier rack release RH	1	XE
	43B11200	Receptacle Assembly—Type A1 (GFP) (AER 64-2900)	2	XE
7	552418	Rail Assembly—Small bomb rack forward tier forward LH	1	XE
	552418-1	Rail Assembly—Small bomb rack forward tier forward RH	1	XE
8	43B9887	Control—Arming type AN-A2 (GFP) (AER 64-220)	4	XE
9	43A10571	Latch Assembly	5	XE
10	43A12153	Hook	5	XE
11	252582	Bolt Assembly—Small bomb rail cross tube attaching	2	XE
	AN6-30A	Bolt—Aircraft 3 8-24	3	XE
	AN960D616	Washer—Plain	5	XE
	AN365-624	Nut—Self locking	5	XE
	552419	Rail Assembly—Small bomb rack forward tier aft LH	1	XE
12	552419-1	Rail Assembly—Small bomb rack forward tier aft RH	1	XE
	552420	Rail Assembly—Small bomb rack aft tier forward LH	1	XE
13	552420-1	Rail Assembly—Small bomb rack aft tier forward RH	1	XE
	552421	Rail Assembly—Small bomb rack aft tier aft LH	1	XE
14	552421-1	Rail Assembly—Small bomb rack aft tier aft RH	1	XE
	552585	Rack Installation—1600 to 2000 lb. (For next assembly see page 253)	**NP	XE
	43G19840L	Release—A4 LH (GFP) (AER 64-3430)	5	XE
	43G19840R	Release—A4 RH (GFP) (AER 64-3431)	5	XE
	AN4H6A	Bolt—Aircraft 1 4-28	20	XE
	41E4555	Shackle—D6 (GFP) (AER 64-4000)	4	XE
	452575-4	Tube Assembly—Panel support and bomb rail cross	4	XE
	552423	Rail Assembly—Large bomb rack aft LH	1	XE
	552423-1	Rail Assembly—Large bomb rack aft RH	1	XE
	552422	Rail Assembly—Large bomb rack forward LH	1	XE
	552422-1	Rail Assembly—Large bomb rack forward RH	1	XE
	43B9887	Control—Arming type AN-A2 (GFP) (AER 64-220)	2	XE
	252615	Latch Assembly—Large bomb rack 1600 and 2000 lb. bomb shackle hood	2	XE
	252614	Hood—Large bomb rack 1600 and 2000 lb. bomb shackle	2	XE
	252577	Bolt Assembly—Large bomb rail cross tube attaching	2	XE
	AN960D616	Washer—Plain	2	XE
	AN365-624	Nut—Self locking	2	XE
	552586	Support Installation—4000 lb. bomb (For next assembly see page 253)	**NP	XE
15	43G19840L	Release—A4 LH (GFP) (AER 64-3430)	6	XE
16	AN4H6A	Bolt—Aircraft 1 4-28	12	XE
17	42E7219	Shackle—D7 (GFP) (AER 64-4050)	1	XE
18	554951	Beam—4000 lb. bomb suspension forward	1	XE
19	554952	Beam—4000 lb. bomb suspension aft	1	XE
20	554953	Beam—4000 lb. bomb suspension stabilizing	1	XE
21	254961	Pin—4000 lb. bomb stabilizing beam clevis	1	XE
22	AN415A	Pin—Lock	1	XE
	551048	Charts Installation—Bomb instruction folders and (For next assembly see page 253)	NP	XE
	551048-2	Folder Assembly—Bomb instruction	9	X
	551048-4	Folder Assembly—Bomb instruction	7	E
	460088	Bag Assembly—Bomb instruction charts	1	XE
	560333	Chart Installation—Bombardiers gliding and climb angle	NP	XE
	460042	Holder Assembly—Bomb instruction folder	8	XE
	251056	List—Miscellaneous bombing station equipment (For next assembly see page 13)	NP	XE
	451752	Hoist Assembly—Bomb and ammunition (For detail breakdown see page 253)	REF	XE
	552623	Support Assembly—Bomb hoist (For detail breakdown see page 253)	REF	XE
	455435	Cable Assembly—4000 lb. hoisting auxiliary (For detail breakdown see page 253)	REF	XE
	42D6433	Sling—Type A2 (GFP) (AER 64-4150) (For detail breakdown see page 253)	REF	XE
	251053	List—Miscellaneous armament station equipment (For next assembly see page 13)	NP	C
	551030	Cradle Assembly—Tail turret ammunition hoist	1	C
	451751	Roller Assembly—Bomb and ammunition hoist	2	C
	AN8-52A	Bolt—Aircraft 1 2-20	2	C
	AN960-816	Washer—Plain	2	C
	AN365-820	Nut—Self locking	2	C
	451752	Hoist Assembly—Bomb and ammunition	REF	C

*1 used on YB-35 and 1 used on YB-49.

**7 used on YB-35 and 5 used on YB-49.

**6 used on YB-35 and 4 used on YB-49.

RESTRICTED
AN 01-15EAA-4
FUNCTIONAL GROUP

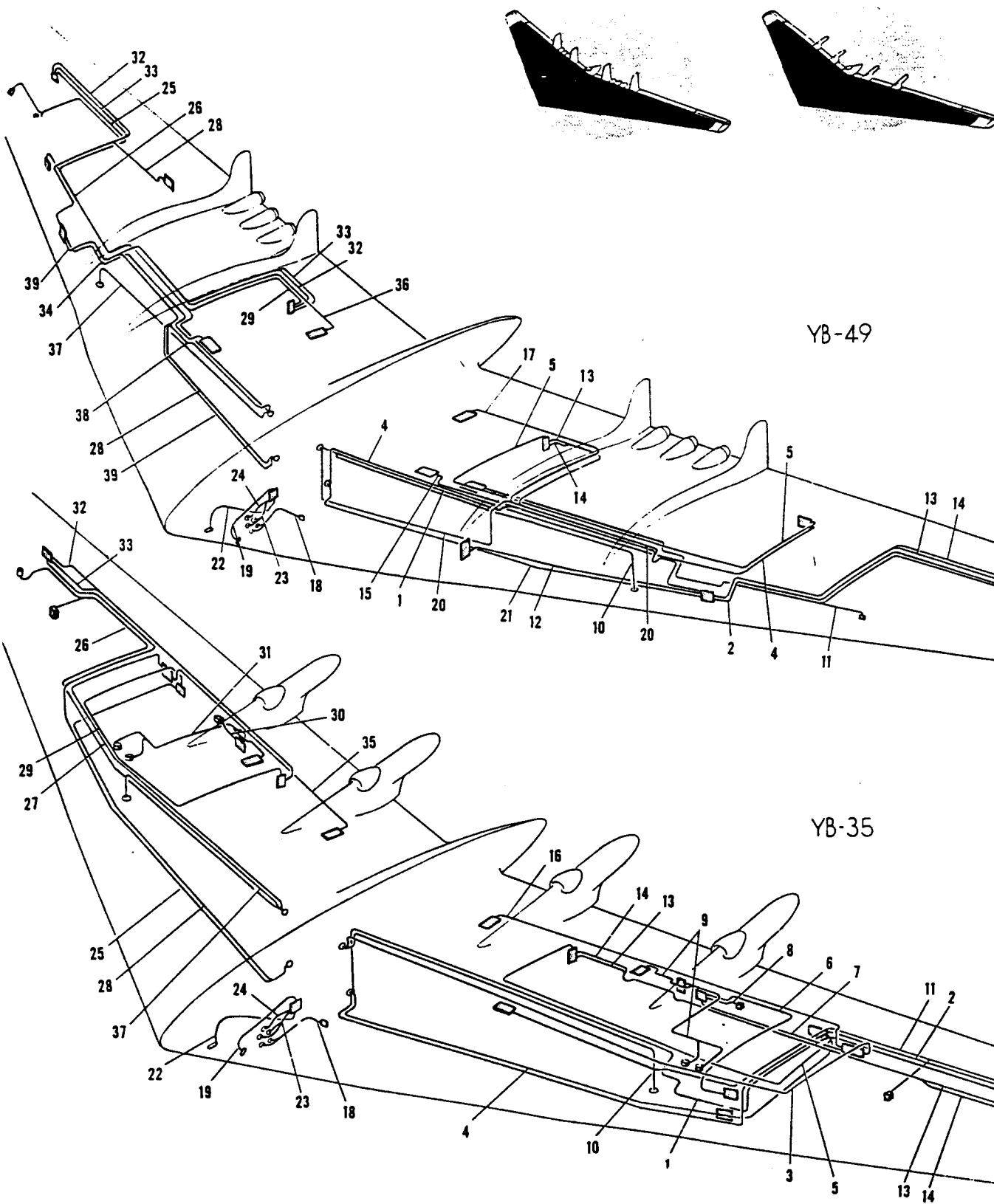


FIGURE 145—COMPLETE ELECTRICAL
RESTRICTED

FUNCTIONAL GROUP
ELECTRICAL COMPLETE

FIGURE & INDEX NUMBER	PART NUMBER	NOMENCLATURE	UNITS PER ASSEM	USAGE CODE
		1 2 3 4 5 6 7		
	551135	Electrical Installation—Complete (For next assembly see page 13)	NP	ALL
145 - 1	454254	Cable Assembly—Crew nacelle to gyro flux gate caging motor and transmitter	1	ALL
2	453960	Cable Assembly—Crew nacelle to sectionalizing panel station 870 LH	1	ALL
3	453894	Cable Assembly—Crew nacelle to sectionalizing panel station 560 LH	1	X
4	457648	Cable Assembly—Left hand pressurized plug "E" to elevon control relay panel	1	ALL
5	457677	Cable Assembly—Left hand elevon control relay panel to left hand main wheel well D.C. power distributing panel	1	ALL
6	453665	Cable Assembly—Alternating current sectionalizing panel station 369 rear spar to A.C. sectionalizing panel station 523 front spar	8	X
7	453666	Cable Assembly—Alternating current sectionalizing panel station 369 rear spar to A.C. sectionalizing panel station 560 rear spar	8	X
8	460806	Cable Assembly—Left hand auxiliary fuel tank valve	1	G-R
9	458583	Cable Assembly—Number 1 engine tank valve auxiliary fuel level transmitter and pump	1	X
10	453888	Cable Assembly—Left hand landing light to crew nacelle and 50° wing anti-icer trailing section edge to bomb bay No. 1 direct current junction panel	1	ALL
11	453958	Cable Assembly—Left hand wing slot solenoid and left hand aerodynamic switch to wheel well forward relay panel	1	ALL
12	458043	Cable Assembly—Station 281.5 sectionalizing panel to LH outer wing fuel relay and sectionalizing panel	8	DE
13	453973	Cable Assembly—Left hand wheel well D.C. panel to A.C. sectionalizing panel sta 870	1	ALL
14	453975	Cable Assembly—Left hand wheel well D.C. panel to sectionalizing panel station 870 No. 2	1	ALL
15	458041	Cable Assembly—Bomb bay No. 2 forward relay panel to left hand outer wing fuel relay and sectionalizing panel	1	DE
16	453965	Cable Assembly—Bomb bay No. 3 relay panel to A.C. sectionalizing panel station 560	1	X
17	458376	Cable Assembly—Left hand outer wing fuel and sectionalizing panel to bomb bay No. 3 aft relay panel	1	DE
18	453660	Cable Assembly—Wheel well D.C. panel to pressurized plug "H" or "M"	3	ALL
19	533127	Cable Assembly—Nose landing gear	1	ALL
20	458300	Cable Assembly—Left hand pressurized plug "A" to left hand outer wing fuel relay and sectionalizing panel	1	DE
21	458310	Cable Assembly—Left hand pressurized plug "E" to left hand outer wing fuel relay and sectionalizing panel	1	DE
22	453128	Cable Assembly—Nose landing gear actuator motor	1	ALL
23	453661	Cable Assembly—Wheel well relay panel to pressurized plug "K" or "L"	3	ALL
24	453133	Cable Assembly—Nose gear well equipment to pressurized plug "J"	1	ALL
25	453961	Cable Assembly—Crew nacelle to sectionalizing panel station 870 RH	1	ALL
26	453959	Cable Assembly—Right hand wing slot solenoid and aerodynamic switch to crew nacelle	1	ALL
27	453895	Cable Assembly—Crew nacelle to sectionalizing panel station 560 RH	1	X
28	457649	Cable Assembly—Right hand pressurized plug "E" to elevon control relay panel	1	ALL
29	457678	Cable Assembly—Right hand elevon control relay panel to right hand main wheel well	1	ALL
30	460805	Cable Assembly—Right hand auxiliary fuel tank valve	1	G-R
31	458582	Cable Assembly—Number 4 engine tank valve auxiliary fuel level transmitter and pump	1	X
32	453974	Cable Assembly—Right hand wheel well D.C. panel to A.C. sectionalizing panel sta 870	1	ALL
33	453976	Cable Assembly—Right hand wheel well D.C. panel to sectionalizing panel	1	ALL
34	458042	Cable Assembly—Bomb bay No. 7 forward relay panel to right hand outer wing fuel relay and sectionalizing panel	1	DE
35	453966	Cable Assembly—Bomb bay No. 6 relay panel to A.C. sectionalizing panel sta 560	1	X
36	458377	Cable Assembly—Right hand outer wing fuel and sectionalizing panel to bomb bay No. 6 aft relay panel	1	DE
37	453889	Cable Assembly—Right hand landing light to crew nacelle and 50° wing anti-icer trailing section edge to bomb bay No. 8 D.C. "J" panel	1	ALL
38	458301	Cable Assembly—Right hand pressurized plug "A" to right hand outer wing fuel relay and sectionalizing panel	1	DE
39	458311	Cable Assembly—Right hand pressurized plug "E" to right hand outer wing fuel relay and sectionalizing panel	1	DE
	554604	Interconnecting Diagram—Left wing electrical	1	X
	557172	Interconnecting Diagram—Left wing electrical	1	DE
	554603	Interconnecting Diagram—Right wing electrical	1	X
	557173	Interconnecting Diagram—Right wing electrical	1	DE
	554647	Interconnecting Diagram—Crew nacelle electrical	1	X
	557171	Interconnecting Diagram—Crew nacelle electrical	1	DE
	666-3	Clip—(AP)	6	ALL
	666-4	Clip—(AP)	9	ALL
	666-1	Clip—(AP)	21	ALL

FUNCTIONAL GROUP

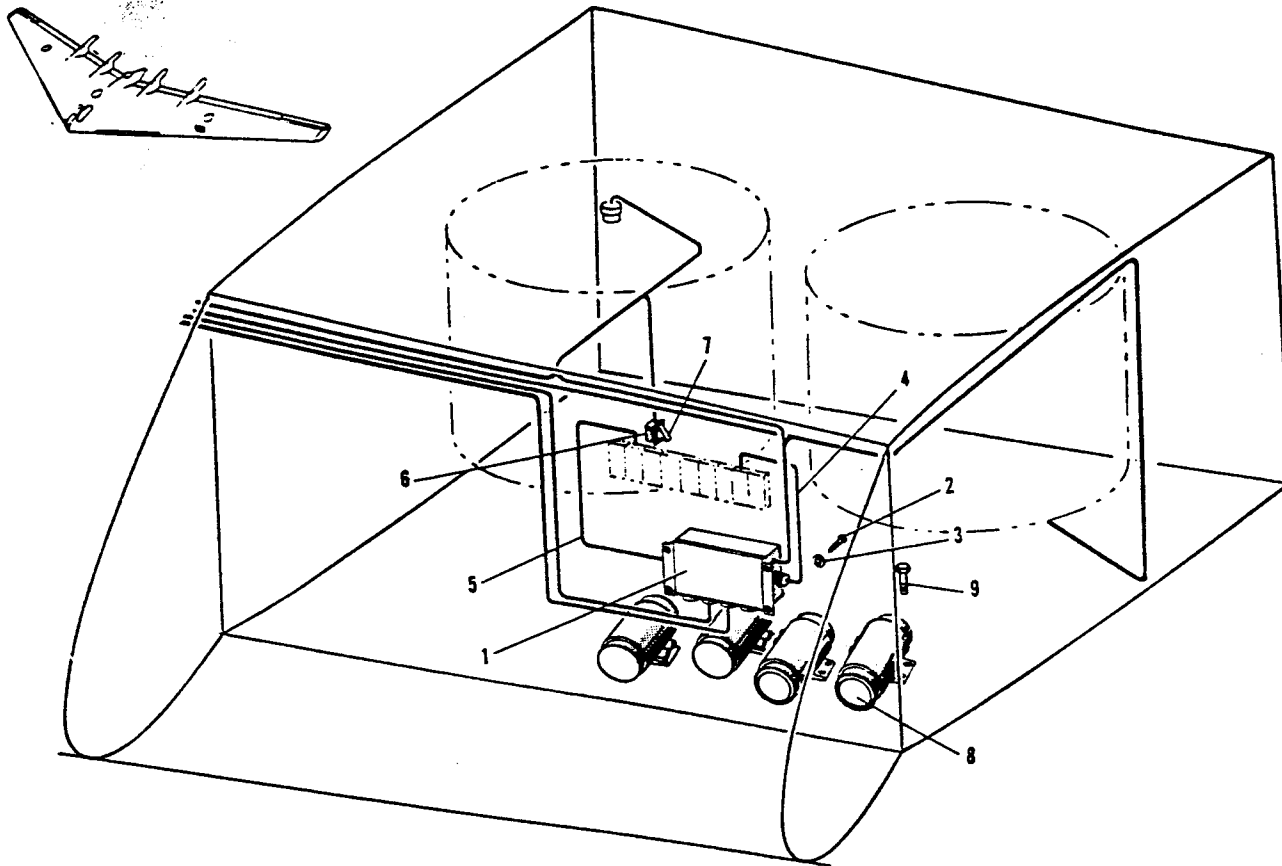


FIGURE 146—ARMAMENT ELECTRICAL COMPLETE

ARMAMENT ELECTRICAL COMPLETE

FIGURE & INDEX NUMBER	PART NUMBER	1	2	3	4	5	6	7	NOMENCLATURE	UNITS PER ASSEM	USAGE CODE
									Electrical Installation—Complete armament (For next assembly see page 13)	NP	C
	551136								Electrical Installation—Wing armament LH	NP	C
	551171								Electrical Installation—Wing armament RH	NP	C
	551171-1								Amplidyne Junction Box—(GFP)	1	C
146 - 1	T9014151G1								Attaching Parts	4	C
	AN530-10R10								Screw—Round head sheet metal	4	C
2	AN960D10								Washer—Plain	4	C
3											
4	456833								Cable Assembly—Wing amplidyne junction boxes to A.C. sectionalizing panel wing sta 523 No. 1	1	C
5	456864								Cable Assembly—Wing amplidyne junction box to A.C. sectionalizing panel wing sta 523 No. 2	1	C
6	AN3023-2								Switch—3 hole mounting double pole toggle	1	C
7	49-1356								Guard Switch—(CUT)	1	C
8	5AM31NJ22								Amplidyne—(GFP)	4	C
									Attaching Parts	16	C
9	AN5-6A								Bolt—Aircraft (5/16-24)	16	C
	AN960D516								Washer—Plain	16	C
	456866								Cable Assembly—Pressurized plug "G" to amplidyne junction box left hand No. 2	1	C
	456870								Cable Assembly—Pressurized plug "G" to amplidyne junction box right hand No. 1	1	C
	456865								Cable Assembly—Amplidyne junction box to pressurized plug "G" left hand No. 1	1	C
	456869								Cable Assembly—Amplidyne junction box to pressurized plug "G" right hand No. 2	1	C
	456868								Cable Assembly—Upper left turret to left hand pressurized plug "G"	1	C
	556872								Cable Assembly—Upper right turret to right hand pressurized plug "G"	1	C
	456824								Cable Assembly—Left amplidyne junction box to lower left amplidyne	1	C
	456803								Cable Assembly—Right amplidyne junction box to right amplidyne	1	C
	456847								Connector Assembly—Left amplidyne junction box to lower left amplidyne	1	C
	456829								Connector Assembly—Right amplidyne junction box to lower right amplidyne	1	C
	456825								Cable Assembly—Left amplidyne junction box to upper left amplidyne	1	C
	456826								Cable Assembly—Right amplidyne junction box to upper right amplidyne	1	C
	456851								Connector Assembly—Left amplidyne junction box to upper left amplidyne	1	C
	456846								Connector Assembly—Right amplidyne junction box to upper right amplidyne	1	C
	456867								Cable Assembly—Lower turret to pressurized plug "G" left hand	1	C
	456871								Cable Assembly—Lower right turret to right hand pressurized plug "G"	12	C
	666-3								Harness Clip—(AP)	18	C
	666-6								Harness Clip—(AP)	18	C

FUNCTIONAL GROUP
YB-35 ENGINE CONTROLS

FIGURE & INDEX NUMBER	PART NUMBER	NOMENCLATURE	UNITS PER ASSEM	USAGE CODE
		1 2 3 4 5 6 7		
	591000-30	Controls Installation—Crew nacelle center wing engine (For next assembly see page 13)	NP	W
	591000-50	Controls Installation—Crew nacelle center wing engine (For next assembly see page 13)	NP	U
147 - 1	551624	Mechanism Installation—Inboard engine air exit flap operating	NP	X
	551570	Tube Assembly—Inboard engine air exit flap torque	2	X
	251577	Link Assembly—Inboard engine air exit flap	4	X
2	P4274897GR1	Power Package—Aircraft (GE)	2	X
3	552210	Mechanism Installation—Plenum chamber flap operating	NP	X
	452211	Shaft—Plenum chamber flap operating mechanism drive	2	X
	452212	Arm Assembly—Plenum chamber flap operating mechanism	2	X
	452213	Tube Assembly—Plenum chamber flap control	2	X
4	P4274897GR1	Power Package—Aircraft (GE)	2	X
5	552484	Cable Installation—Mixture control (For detail breakdown see page 265)	NP	X
6	552485	Cable Installation—Throttle control (For detail breakdown see page 265)	NP	X
7	557223	Cable Installation—Emergency fuel and oil shut-off control (For detail breakdown see page 265)	NP	X
8	554770	Quadrant Installation—Crew nacelle station 190 throttle and mixture control	NP	X
	454775	Quadrant Assembly—Crew nacelle station 190 throttle and mixture control	4	X
	454777	Quadrant Assembly—Crew nacelle station 190 throttle and mixture control	4	X
	254698	Shaft—Crew nacelle station 190 throttle and mixture control quadrant support	1	X
	154694	Support—Crew nacelle station 190 throttle and mixture control quadrant cable guard	3	X
	255015	Rod Assembly—Crew nacelle station 190 throttle control push pull	4	X
	154771	Support—Crew nacelle station 190 mixture control quadrant cable guard	3	X
	154772	Support—Crew nacelle station 190 mixture control quadrant outboard cable guard	1	X
	254699-2	Guard—Crew nacelle station 190 throttle and mixture control quadrant cable	8	X
	254699-4	Guard—Crew nacelle station 190 throttle and mixture control quadrant cable	4	X
9	555119	Crank Installation—Crew nacelle station 92 throttle push rod and bell	NP	X
	455120	Crank Assembly—Crew nacelle station 92 throttle push rod and bell	4	X
	455121	Rod Assembly—Crew nacelle station 75 LH outboard throttle control	1	X
	455122	Rod Assembly—Crew nacelle station 75 throttle control	3	X
	155333	Cam—Crew nacelle station 92 throttle and landing gear switch actuating	4	X
10	555128	Switches Installation—Throttle and landing gear position warning horn	NP	X
	555128-22	Switch Assembly—Throttle and landing gear position warning horn	1	X
	555128-24	Switch Assembly—Throttle and landing gear position warning horn	1	X
	555128-18	Rod Assembly—Throttle and landing gear position warning horn switch	1	X
	555128-20	Rod Assembly—Throttle and landing gear position warning horn switch	1	X
11	591015-20	Valve Installation—Inboard collector shroud LH	NP	X
	591016-20	Valve Installation—Inboard collector shroud RH	NP	X
	591019	Bracket Assembly—Inboard collector shroud valve motor LH	1	X
	591026	Bracket Assembly—Inboard collector shroud valve motor RH	1	X
	291161	Channel—Inboard collector shroud valve LH	1	X
	291162	Channel—Inboard collector shroud valve RH	1	X
	291099	Rod Assembly—Inboard collector shroud valve push pull	1	X
	177385	Slide—Inboard collector shroud valve	1	X
12	553285	Unit Installation—Flight engineer's throttle and mixture control	NP	X
	744119-1	Quadrant—Mixture (AS)	1	X
	744119-2	Quadrant—Throttle (AS)	1	X
	744119-3	Strip—Trim (AS)	1	X
13	553546	Unit Installation—Pilot's throttle controls	NP	X
	553546-14	Handle Assembly—Pilot's throttle controls unit	1	X
	453542	Lever Assembly—Pilot's throttle RH inboard	1	X
	453543	Lever Assembly—Pilot's throttle RH outboard	1	X
	453544	Lever Assembly—Pilot's throttle LH inboard	1	X
	453545	Lever Assembly—Pilot's throttle LH outboard	1	X
	553546-10	Stop Assembly—Pilot's throttle control unit forward	1	X
	553546-12	Stop Assembly—Pilot's throttle control unit aft	1	X
14	556976	Handle Installation—Emergency fuel and oil valve control	NP	X
	557235	Handle Assembly—Emergency fuel and oil valve control	1	X
	556976-4	Bracket Assembly—Emergency fuel and oil valve control	1	X
	556976-10	Bracket Assembly—Emergency fuel and oil valve control	1	X
	556976-12	Bracket Assembly—Emergency fuel and oil valve control	1	X
15	591079	Controls Installation—Inboard turbo air intake valve LH (For detail breakdown see page 262)	NP	X
	591080	Controls Installation—Inboard turbo air intake valve RH (For detail breakdown see page 262)	NP	X
16	591819	Controls Installation—Outboard turbo air intake valve LH (For detail breakdown see page 262)	NP	X
	591820	Controls Installation—Outboard turbo air intake valve RH (For detail breakdown see page 262)	NP	X
17	552563	Control Installation—Supercharger (For detail breakdown see page 263)	NP	X
18	556738	Quadrant Installation—Emergency fuel and oil valve control LH	NP	X
	556738-1	Quadrant Installation—Emergency fuel and oil valve control RH	NP	X
	457205	Quadrant Assembly—Wing station 89.625 emergency fuel and oil valve control	2	X
	457206	Quadrant Assembly—Wing station 316.25 emergency fuel and oil valve control	2	X
	457207	Quadrant Assembly—Emergency fuel and oil valve controls	2	X
	458441	Quadrant Assembly—Wing station 188.5 emergency fuel and oil valve controls	2	X
19	556738-6	Valve Assembly—Emergency fuel and oil control quadrant LH	2	X
	556738-7	Valve Assembly—Emergency fuel and oil control quadrant RH	2	X
	556738-10	Valve—Emergency fuel and oil control quadrant LH (Make from B4115) (PA)	2	X
	556738-11	Valve—Emergency fuel and oil control quadrant RH (Make from B4115) (PA)	2	X
20	556738-14	Valve Assembly—Emergency fuel and oil control quadrant	4	X
	556738-16	Valve—Emergency fuel and oil control quadrant (Make from SP3-2245) (PA)	4	X
	591813	Controls Installation—Outboard engine flap	NP	X
21	591813-10	Actuator Assembly—Outboard engine flap control	1	X
	P4274897GR1	Motor—(GE)	1	X
	591815	Support—Outboard engine air flap motor	1	X
	591816	Rod Assembly—Outboard engine air flap controls	1	X
	591817	Lever Assembly—Outboard engine air flap controls	1	X
	591053	Control Installation—Inboard cruise valve LH	NP	W
	591054	Control Installation—Inboard cruise valve RH	NP	W
	591089	Control Installation—Outboard cruise valve LH	NP	W
	591090	Control Installation—Outboard cruise valve RH	NP	W

RESTRICTED
AN 01-15EAA-4
FUNCTIONAL GROUP

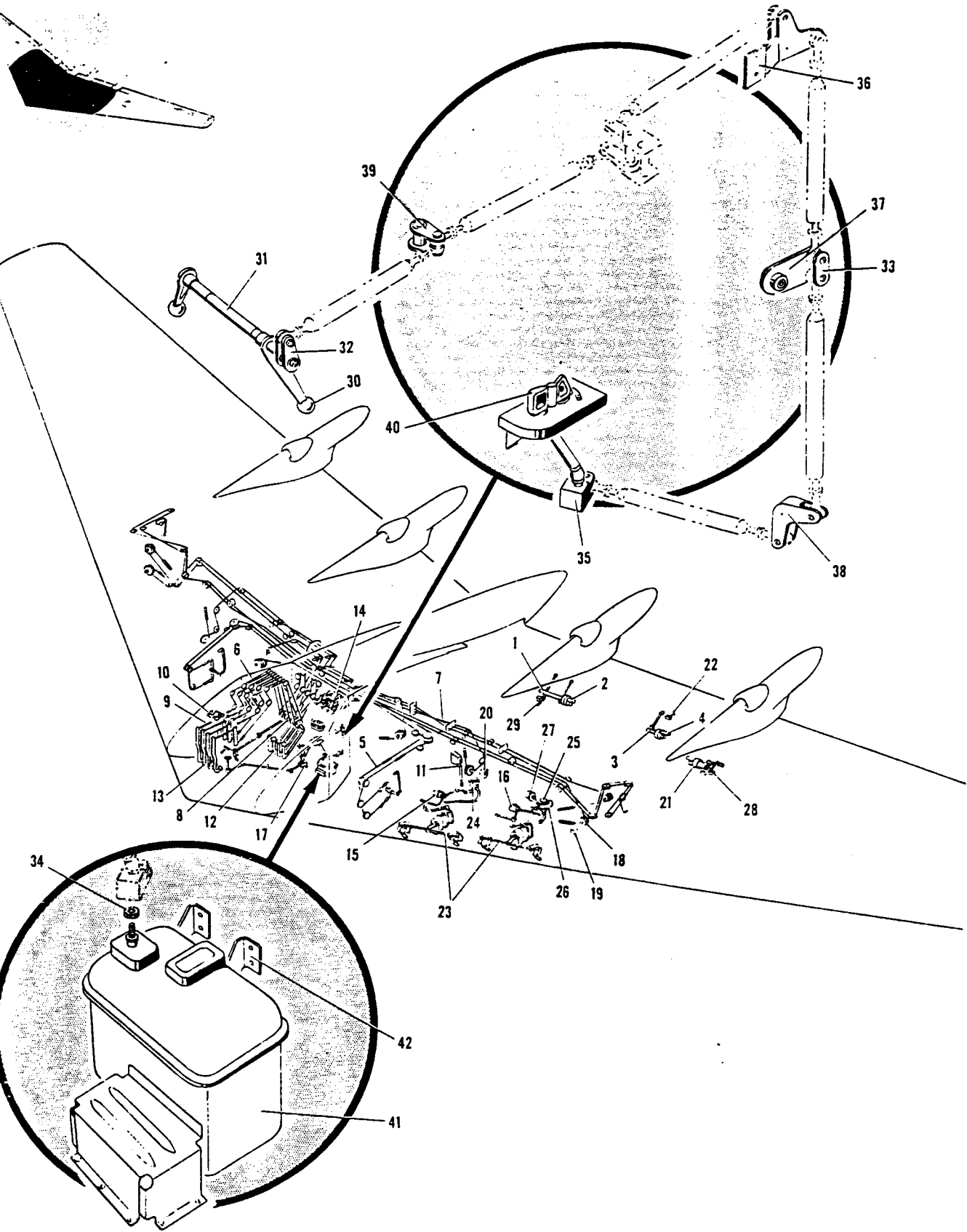


FIGURE 147—YB-35 ENGINE CONTROLS
RESTRICTED

FUNCTIONAL GROUP
YB-35 ENGINE CONTROLS

FIGURE 4
INDEX
NUMBER

PART NUMBER	NOMENCLATURE							UNITS PER ASSEM	USAGE CODE
	1	2	3	4	5	6	7		
6912-4	4	W
560790	NP	U
560791	NP	U
560789	NP	U
566789-1	NP	U
452015-4	4	U
460785-6	1	U
460785-8	1	U
460785-2	1	U
460785-4	1	U
260786	4	U
260787-2	2	U
260787-4	2	U
460788	4	U
276252	2	U
491055	4	U
147 - 22	559937	NP	X
	ANS785-1	2	X
	459936	2	X
	259935	2	X
	459816	NP	X
	459816-1	NP	X
23	559818	NP	X
	559817	NP	X
	559819	4	X
	MG7000A	4	X
24	559827	NP	X
	559827-1	NP	X
25	559829	NP	X
	559829-1	NP	X
26	DR2479	4	X
27	DR2446	4	X
28	559920	NP	X
	ANS785-1	2	X
	459921	2	X
	259922	2	X
29	559931	NP	X
	ANS785-1	2	X
	459933	2	X
	259934	2	X
	159932	2	X
	561103	NP	X
30	461100	2	X
31	461101	1	X
	261102-2	1	X
	261102-4	1	X
	261102-6	1	X
32	461104	1	X
	461105-14	1	X
	461105-16	1	X
	461105-18	1	X
	461120-14	1	X
	461120-16	1	X
	461120-18	1	X
33	161123	1	X
34	261125	1	X
35	261126	1	X
36	461128	1	X
37	461129	1	X
38	461130	1	X
39	461141	1	X
	261144	1	X
40	561258	NP	X
	560979	1	X
41	71308	4	X
42	260980	1	X
	461004	1	X

FUNCTIONAL GROUP

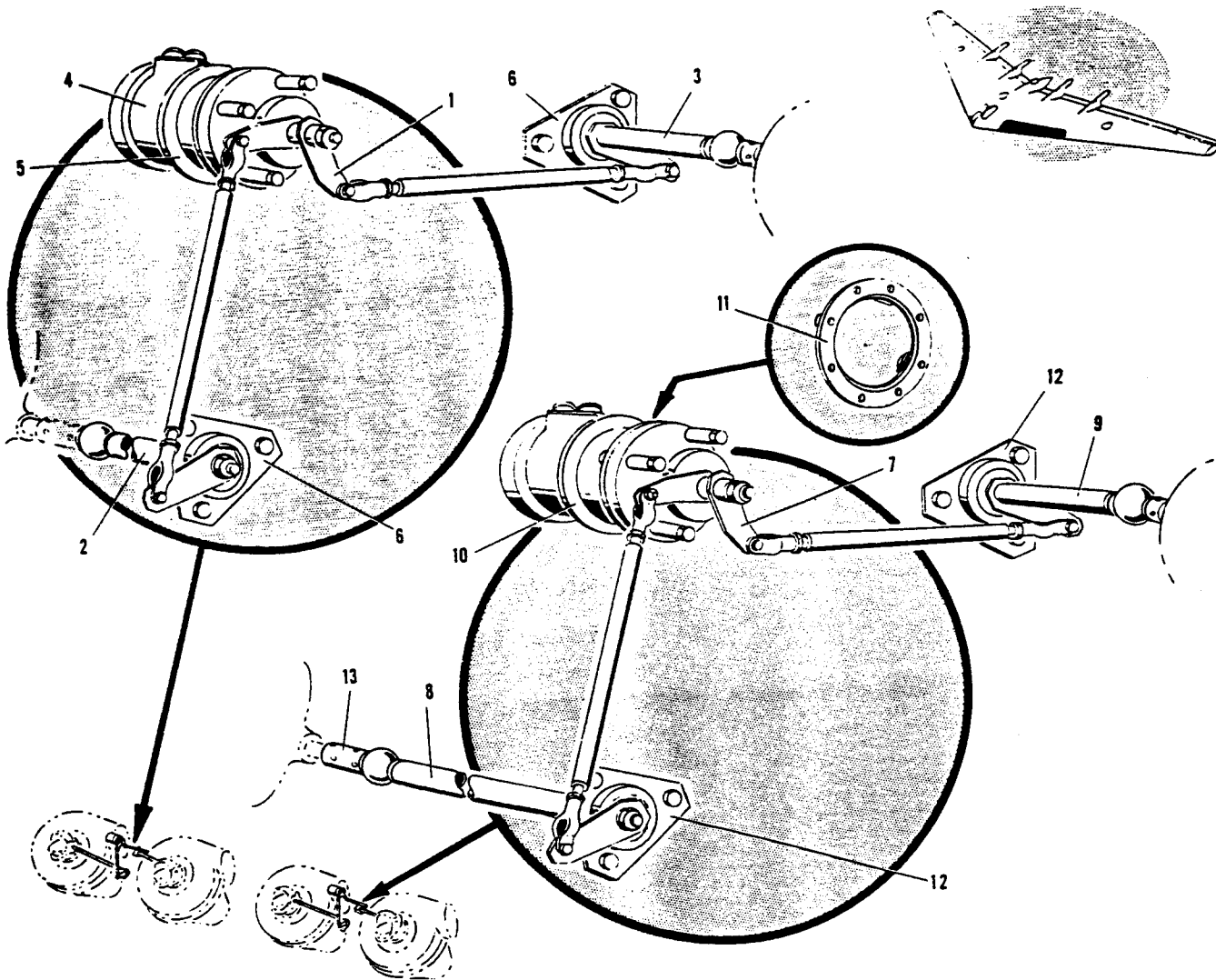


FIGURE 148—YB-35 TURBO AIR INTAKE VALVE CONTROLS

YB-35 TURBO AIR INTAKE VALVE CONTROLS

FIGURE & INDEX NUMBER	PART NUMBER	NOMENCLATURE	UNITS PER ASSEM	USAGE CODE
		1 2 3 4 5 6 7		
		Inboard and Outboard Turbo Air Intake Valve Controls	NP	X
		Controls Installation—Inboard turbo air intake valve LH (For next assembly see page 259)....	NP	X
		Controls Installation—Inboard turbo air intake valve RH (For next assembly see page 259)....	1	X
148 - 1	591079	Lever Assembly—Turbo air intake valve control LH	1	X
	591080	Lever Assembly—Turbo air intake valve control RH	1	X
2	456465-2	Tube Assembly—Turbo air intake valve control forward LH	1	X
	456465-3	Tube Assembly—Turbo air intake valve control forward RH	1	X
3	456552-2	Tube Assembly—Turbo air intake valve control aft LH	1	X
	456552-3	Tube Assembly—Turbo air intake valve control aft RH	1	X
4	491083-20	Motor—(RITTER)	2	X
	491084-20	Ring Assembly—Motor mount retaining	2	X
5	D2164-2	Retainer—Turbo air intake valve control bearing	4	X
6	259349	Retainer—Turbo air intake valve control bearing	NP	X
	291085	Controls Installation—Outboard turbo air intake valve LH (For next assembly see page 259)....	NP	X
	591819	Controls Installation—Outboard turbo air intake valve RH (For next assembly see page 259)....	1	X
7	591820	Lever Assembly—Outboard turbo air intake valve control LH	1	X
	456465-4	Lever Assembly—Outboard turbo air intake valve control RH	1	X
8	456465-5	Tube Assembly—Outboard turbo air intake valve control forward LH	1	X
	456552-4	Tube Assembly—Outboard turbo air intake valve control forward RH	1	X
	456552-5	Tube Assembly—Outboard turbo air intake valve control aft LH	1	X
9	491083-30	Tube Assembly—Outboard turbo air intake valve control aft RH	1	X
	491084-30	Motor—(RITTER)	2	X
10	D2164-2	Ring Assembly—Motor mount retaining	2	X
11	259349	Retainer—Turbo air intake valve control bearing	4	X
12	291085	Retainer—Turbo air intake valve control bearing	1	X
13	191818	Adapter—Turbo air intake valve control bearing		

FUNCTIONAL GROUP

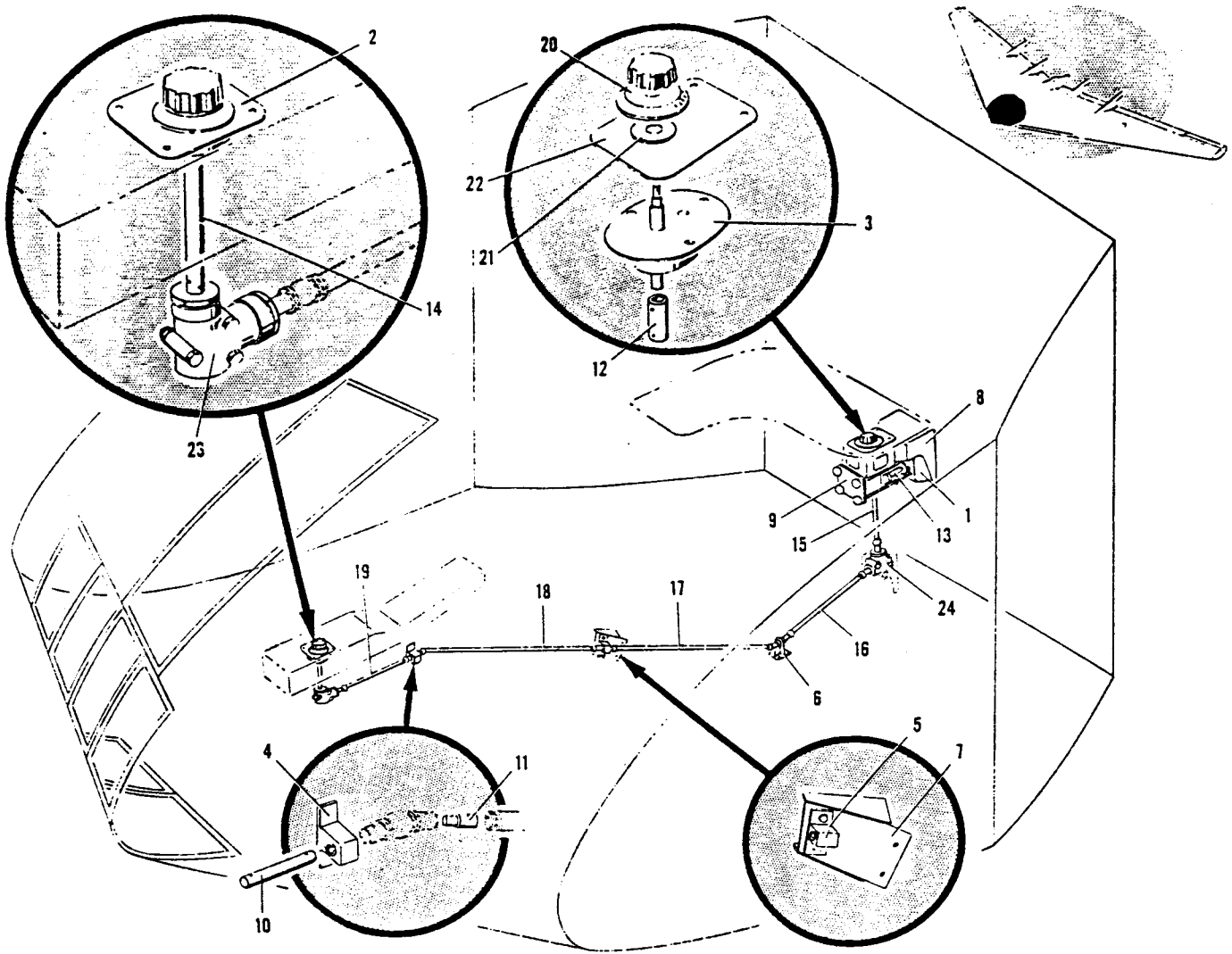


FIGURE 149—YB-35 SUPERCHARGER CONTROLS

YB-35 SUPERCHARGER CONTROLS

FIGURE & INDEX NUMBER	PART NUMBER	1	2	3	4	5	6	7	NOMENCLATURE	UNITS PER ASSEM	USAGE CODE
	552563								Control Installation—Supercharger (For next assembly see page 259)	NP	X
149 - 1	552563-2								Selector—Turbo boost (Make from G1056A3) (GFP)	1	X
2	552386								Control Assembly—Pilot's supercharger	1	X
3	552471								Control Assembly—Flight engineer's supercharger	1	X
4	152781								Support Assembly—Supercharger control crew nacelle station 71.95	1	X
5	152775								Support Assembly—Supercharger control crew nacelle station 112.70	1	X
6	452780								Bracket Assembly—Supercharger control crew nacelle station 146-80	1	X
7	452779								Bracket Assembly—Supercharger control crew nacelle station 112.70	1	X
8	552694								Bracket Assembly—Flight engineer's supercharger control unit	1	X
9	456679								Knob Assembly—Turbo boost selector adjustment	3	X
10	152776								Link—Supercharger control support	10	X
11	152777								Link—Supercharger control universal joint to tube	1	X
12	152905								Link—Supercharger control gear box to control unit	1	X
13	152906								Link—Supercharger control gear box to selector	1	X
14	152909								Link—Supercharger control pilot's station gear box to control unit	1	X
15	452778-2								Tube—Supercharger control	1	X
16	452778-4								Tube—Supercharger control	1	X
17	452778-6								Tube—Supercharger control	1	X
18	452778-8								Tube—Supercharger control	1	X
19	452778-10								Tube—Supercharger control	1	X
20	252355								Dial Assembly—Pilot's supercharger control	1	X
21	152566								Washer—Flight engineer's supercharger control	1	X
22	452565								Plate—Flight engineer's supercharger control	1	X
23	44A								Gear Box—(AA)	2	X
24	44C								Gear Box—(AA)	2	X

RESTRICTED
AN 01-15EAA-4
FUNCTIONAL GROUP

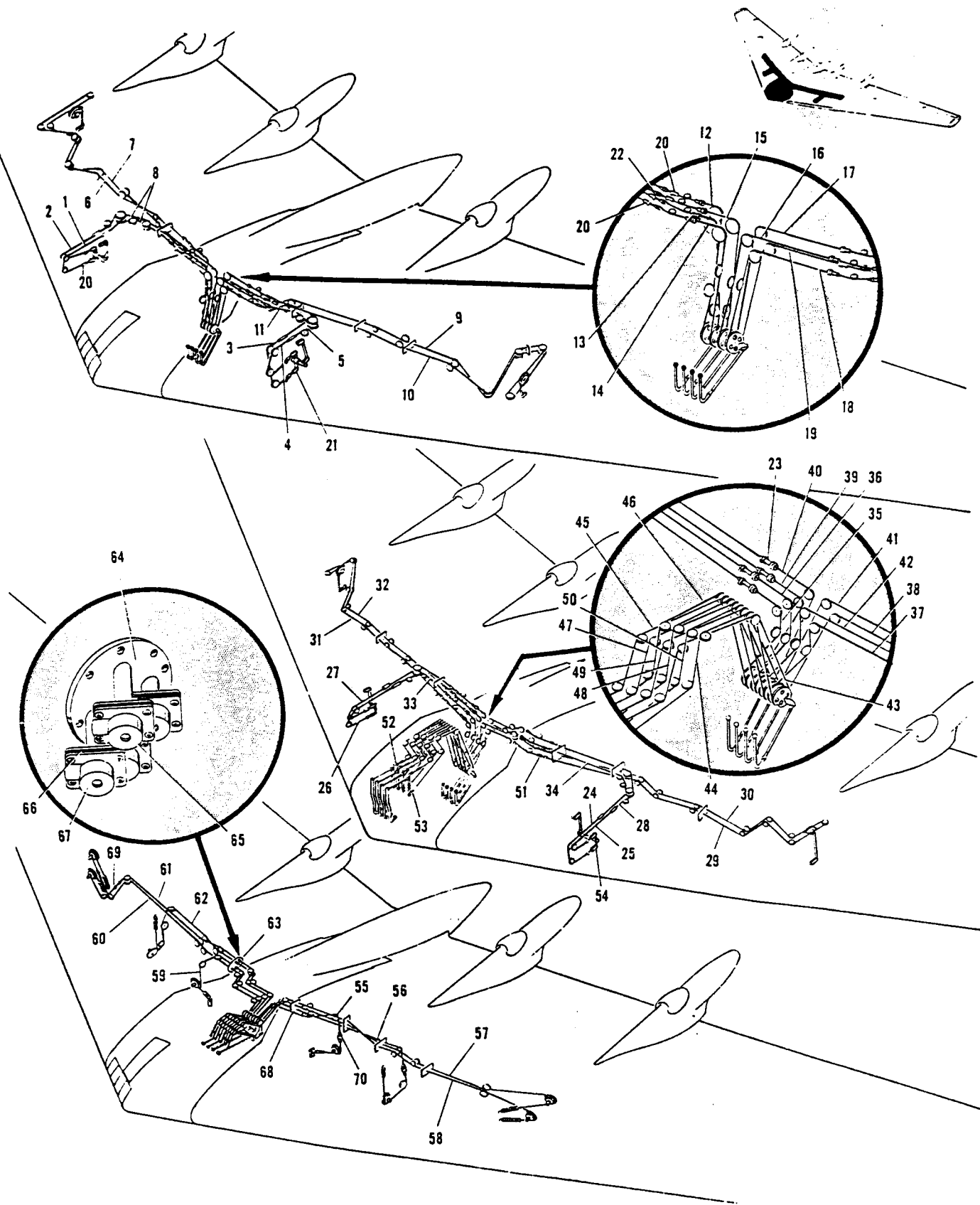


FIGURE 150—YB-35 ENGINE CONTROL CABLES

RESTRICTED

FUNCTIONAL CONTROLS
YB-35 ENGINE CONTROL CABLES

FIGURE 4
INDEX
NUMBER

PART NUMBER	NOMENCLATURE	UNITS PER ASSEM	USAGE CODE
	Engine Control Cables		
552484	Cable Installation—Mixture control (For next assembly see page 259)	NP	X
552484-2	Seal Assembly—Mixture control cable	2	X
552484-4	Seal Assembly—Mixture control cable	2	X
552484-6	Seal Assembly—Mixture control cable LH	1	X
552484-7	Seal Assembly—Mixture control cable RH	1	X
552484-8	Seal Assembly—Mixture control cable	1	X
552484-10	Seal Assembly—Mixture control cable	1	X
150 - 1	455583-10	1	X
2	455582-10	1	X
3	455588	1	X
4	455587	1	X
5	455581	2	X
6	455607	1	X
7	455606	1	X
8	455597	1	X
9	455573	1	X
10	455574	1	X
11	455585	1	X
12	455608	1	X
13	455605	1	X
14	455598	1	X
15	455596	1	X
16	455586	1	X
17	455584	1	X
18	455575	2	X
19	455572	1	X
20	255258	12	X
21	155903	8	X
22	258994	1	X
	552485	NP	X
	552485-2	1	X
	552485-4	1	X
	552485-6	2	X
23	552485-8	2	X
	552485-10	2	X
24	455583-8	1	X
25	455582-8	1	X
26	455595	1	X
27	455594	1	X
28	455581	2	X
29	455569	1	X
30	455568	1	X
31	455602	1	X
32	455601	1	X
33	455591	1	X
34	455578	1	X
35	455603	1	X
36	455600	1	X
37	455570	1	X
38	455567	1	X
39	455592	1	X
40	455590	1	X
41	455579	1	X
42	455577	1	X
43	455571	1	X
44	455566	1	X
45	455604	1	X
46	455599	1	X
47	455593	1	X
48	455589	1	X
49	455580	1	X
50	455576	1	X
51	255258	12	X
52	255126	4	X
53	155125	4	X
54	155903	8	X
	557223	NP	X
55	258588-12	1	X
56	258588-14	1	X
57	258588-16	1	X
58	258588-18	1	X
59	458589-12	1	X
60	458589-14	1	X
61	458589-18	1	X
62	458961	1	X
63	558508	NP	X
64	558508-10	1	X
65	558508-12	1	X
66	1103984	4	X
67	2106260	4	X
68	558497	NP	X
69	457410-4	6	X
70	457410-6	2	X
	157484	8	X
	157210	8	X

RESTRICTED
AN 01-15EAA-4
FUNCTIONAL GROUP

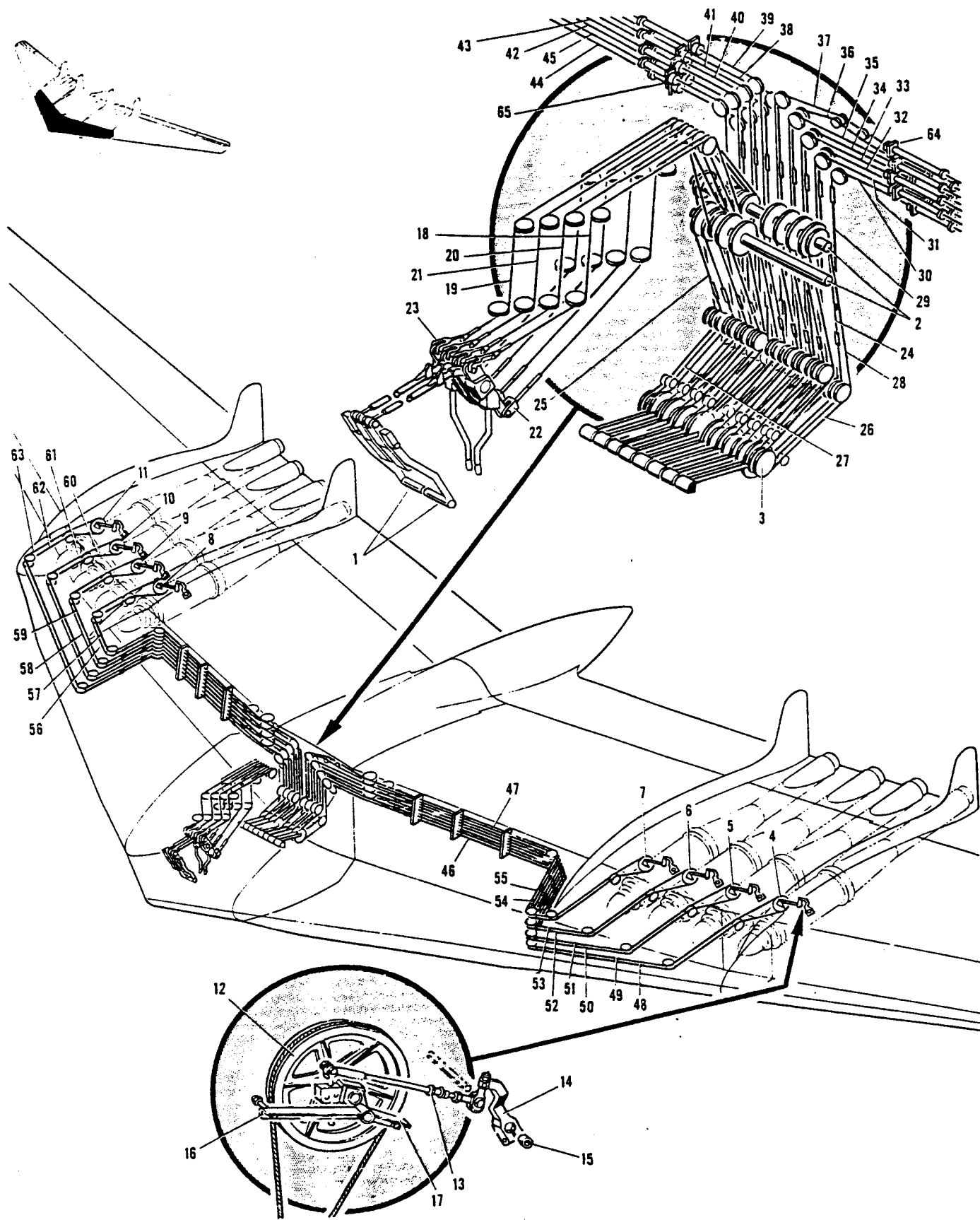


FIGURE 151—YB-49 POWER PLANT CONTROLS

RESTRICTED

FUNCTIONAL GROUP
YB-49 POWER PLANT CONTROLS

FIGURE & INDEX NUMBER	PART NUMBER	NOMENCLATURE	UNITS PER ASSEM	USAGE CODE
		1 2 3 4 5 6 7		
	257536	Controls Installation—Power plant (For next assembly see page 13)	NP	DE
151 - 1	557189	Handles Installation—Pilot's throttle control (For detail breakdown see page 269)	NP	DE
2	557704	Shafts Installation—Crew nacelle sta 191 throttle (For detail breakdown see page 269)	NP	DE
3	557888	Unit Installation—Flight engineer's throttle control (For detail breakdown see page 271)	NP	DE
4	557572	Mechanism Installation—Power unit No. 1 throttle control	NP	DE
5	557266	Mechanism Installation—Power unit No. 2 throttle control	NP	DE
6	557532	Mechanism Installation—Power unit No. 3 throttle control	NP	DE
7	557571	Mechanism Installation—Power unit No. 4 throttle control	NP	DE
8	557570	Mechanism Installation—Power unit No. 5 throttle control	NP	DE
9	557569	Mechanism Installation—Power unit No. 6 throttle control	NP	DE
10	557568	Mechanism Installation—Power unit No. 7 throttle control	NP	DE
11	557567	Mechanism Installation—Power unit No. 8 throttle control	NP	DE
12	557543	Quadrant Assembly—Power plant throttle shaft actuating	8	DE
13	257544-10	Rod Assembly—Power plant throttle shaft actuating	1	DE
	257544-8	Rod Assembly—Power plant throttle shaft actuating	1	DE
	5001-1	Coilar—Quick disconnect (IDM)	1	DE
	AN316-4R	Nut—Aircraft check	1	DE
14	257438	Arm Assembly—Throttle shaf control	8	DE
	255083	End—Carburetor throttle control rod	1	DE
15	157542	Bushing—Power plant throttle shaft	8	DE
16	258901	Guard—Set unit throttle quadrant cable LH	8	DE
17	258901-1	Guard—Set unit throttle quadrant cable RH	8	DE
	557882	Cable Installation—Throttle control	NP	DE
18	457946	Cable Assembly—Pilot's throttle control motor disengage LH	1	DE
19	457947	Cable Assembly—Pilot's throttle control motor disengage RH	1	DE
20	457944	Cable Assembly—Pilot's throttle control follow up LH	1	DE
21	457945	Cable Assembly—Pilot's throttle control follow up RH	1	DE
	NAS35	Lock—Cable	10	DE
22	155125	Link Assembly—Crew nacelle sta 92 throttle open cable attachment	4	DE
23	255126	Link Assembly—Crew nacelle sta 92 throttle closed cable attachment	4	DE
	AN161-16RL	Fork—Turnbuckle	4	DE
	AN155-16L	Barrel—Turnbuckle	8	DE
	AN23-10	Bolt—Clevis 10-32	4	DE
	AN3-10A	Bolt—Aircraft 10-32	8	DE
	AN960-10L	Washer—Plain	4	DE
	AN960D10	Washer—Plain	8	DE
	AN320-3	Nut—Aircraft shear	4	DE
	AN365-1032	Nut—Self locking	8	DE
24	458177	Cable Assembly—Pilot's throttle motor disengaging center LH	4	DE
25	458176	Cable Assembly—Pilot's throttle motor disengaging center RH	4	DE
26	457901	Cable Assembly—Flight engineer's throttle control disengaging LH	4	DE
27	457901-1	Cable Assembly—Flight engineer's throttle control disengaging RH	4	DE
28	458175	Cable Assembly—Flight engineer's throttle follow up	2	DE
29	10C215-7100	Cable Assembly	8	DE
30	457948	Cable Assembly—Center crew nacelle No. 1 engine throttle open	1	DE
31	457949	Cable Assembly—Center crew nacelle No. 1 engine throttle closed	1	DE
32	457951	Cable Assembly—Center crew nacelle No. 2 engine throttle open	1	DE
33	457950	Cable Assembly—Center crew nacelle No. 2 engine throttle closed	1	DE
34	457952	Cable Assembly—Center crew nacelle No. 3 engine throttle open	1	DE
35	457953	Cable Assembly—Center crew nacelle No. 3 engine throttle closed	1	DE
36	457954	Cable Assembly—Center crew nacelle No. 4 engine throttle open	1	DE
37	457955	Cable Assembly—Center crew nacelle No. 4 engine throttle closed	1	DE
38	457956	Cable Assembly—Center crew nacelle No. 5 engine throttle open	1	DE
39	457957	Cable Assembly—Center crew nacelle No. 5 engine throttle closed	1	DE
40	457958	Cable Assembly—Center crew nacelle No. 6 engine throttle open	1	DE
41	457959	Cable Assembly—Center crew nacelle No. 6 engine throttle closed	1	DE
42	457960	Cable Assembly—Center crew nacelle No. 7 engine throttle open	1	DE
43	457961	Cable Assembly—Center crew nacelle No. 7 engine throttle closed	1	DE
44	457962	Cable Assembly—Center crew nacelle No. 8 engine throttle open	1	DE
45	457963	Cable Assembly—Center crew nacelle No. 8 engine throttle closed	1	DE
46	457964	Cable Assembly—Center wing throttle open	8	DE
47	457965	Cable Assembly—Center wing throttle closed	8	DE
	AN155-16L	Barrel—Turnbuckle	16	DE
48	457966	Cable Assembly—Engine section No. 1 throttle open	1	DE
49	457967	Cable Assembly—Engine section No. 1 throttle closed	1	DE
50	457968	Cable Assembly—Engine section No. 2 throttle open	1	DE
51	457969	Cable Assembly—Engine section No. 2 throttle closed	1	DE
52	457970	Cable Assembly—Engine section No. 3 throttle open	1	DE
53	457971	Cable Assembly—Engine section No. 3 throttle closed	1	DE
54	457972	Cable Assembly—Engine section No. 4 throttle open	1	DE
55	457973	Cable Assembly—Engine section No. 4 throttle closed	1	DE
56	457974	Cable Assembly—Engine section No. 5 engine throttle open	1	DE
57	457975	Cable Assembly—Engine section No. 5 engine throttle closed	1	DE
58	457976	Cable Assembly—Engine section No. 6 engine throttle open	1	DE
59	457977	Cable Assembly—Engine section No. 6 engine throttle closed	1	DE
60	457978	Cable Assembly—Engine section No. 7 engine throttle open	1	DE
61	457979	Cable Assembly—Engine section No. 7 engine throttle closed	1	DE
62	457980	Cable Assembly—Engine section No. 8 engine throttle open	1	DE
63	457981	Cable Assembly—Engine section No. 8 engine throttle closed	1	DE
64	557439	Seals Installation—Wing station 44 landing gear and throttle control cable LH	NP	DE
65	557851	Seals Installation—Wing station 44 landing gear and throttle control cable RH	NP	DE

RESTRICTED
AN 01-15EAA-4
FUNCTIONAL GROUP

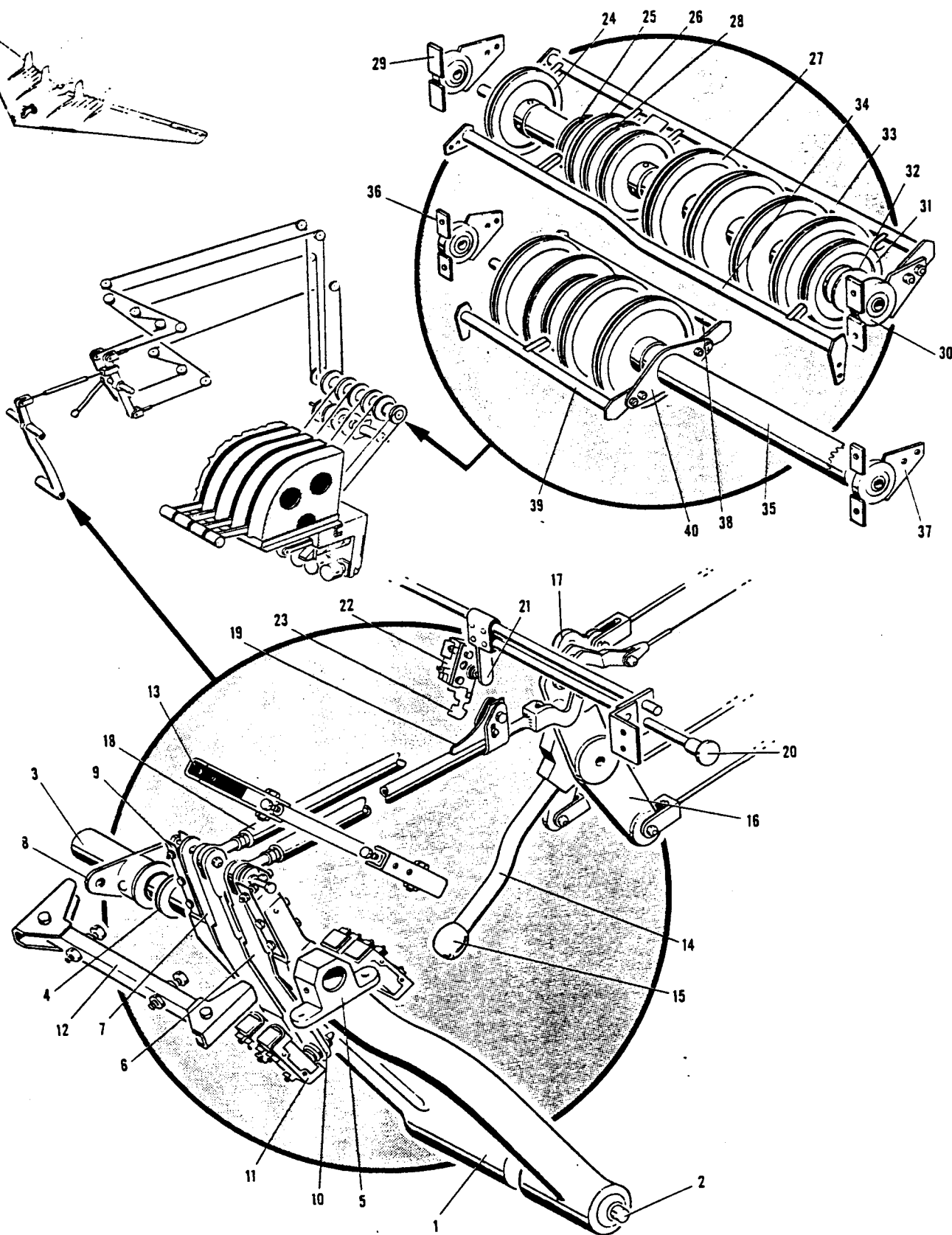


FIGURE 152—YB-49 PILOT'S THROTTLE HANDLE AND SHAFT

RESTRICTED

FUNCTIONAL GROUP
YB-49 PILOT'S THROTTLE HANDLE AND SHAFT

FIGURE & INDEX NUMBER	PART NUMBER	NOMENCLATURE							UNITS PER ASSEM	USAGE CODE
		1	2	3	4	5	6	7		
		YB-49 Throttle Handle and Shaft.....							NP	DE
	557189	Handle Installation—Pilot's throttle control (For next assembly see page 267).....							1	DE
152 - 1	557189-18	Handle Assembly—Pilot's throttle control.....							1	DE
	457371	Lever Assembly—Pilot's throttle LH.....							1	DE
	457372	Lever Assembly—Pilot's throttle RH.....							2	DE
2	138239	Switch—(UC).....							1	DE
3	153539	Shaft—Pilot's throttle control support.....							8	DE
4	153538	Spacer—Pilot's throttle control unit.....							1	DE
5	253540	Support—Pilot's throttle control unit inboard.....							1	DE
6	457373	Support Assembly—Pilot's throttle motor control switch LH.....							1	DE
7	457374	Support Assembly—Pilot's throttle motor control switch RH.....							1	DE
8	153541	Support—Pilot's throttle control unit outboard.....							4	DE
9	157459	Spring—Pilot's throttle lever return.....								
	Attaching Parts									
	AN3-6A	Bolt—Aircraft 10-32.....							2	DE
	AN3-13A	Bolt—Aircraft 10-32.....							5	DE
	AN3-14A	Bolt—Aircraft 10-32.....							1	DE
	AN960D10	Washer—Plain.....							8	DE
	AN365-1032	Nut—Self locking.....							4	DE
	AN364-1032	Nut—Self locking thin.....							4	DE
10	MC2711	Actuator—(MCS).....							4	DE
11	AN3210-1	Switch—Low travel limit.....							4	DE
12	557189-14	Stop Assembly—Pilot's throttle control handle.....							1	DE
13	557189-16	Stop Assembly—Pilot's throttle control handle aft.....							1	DE
14	557189-2	Lever—Pilot's throttle control.....							2	DE
15	557189-4	Knob—Pilot's throttle control.....							2	DE
16	455120	Crank Assembly—Crew nacelle sta 92 throttle control bell.....							2	DE
17	557189-8	Crank Assembly—Pilot's throttle control.....								
	Attaching Parts									
	AN5-74A	Bolt—Aircraft 5/16-24.....							1	DE
	AN3-14A	Bolt—Aircraft 10-32.....							2	DE
	AN960D516	Washer—Plain.....							2	DE
	AN960D10	Washer—Plain.....							4	DE
	AN365-524	Nut—Self locking.....							1	DE
	AN365-1032	Nut—Self locking.....							2	DE
18	455122	Rod Assembly—Crew nacelle.....							2	DE
19	557189-10	Cam—Pilot's throttle control.....							2	DE
	AN3-6A	Bolt—Aircraft 10-32.....							2	DE
	AN960D10	Washer—Plain.....							2	DE
	AN365-1032	Nut—Self locking.....							1	DE
20	555128-18	Rod Assembly—Throttle position.....							1	DE
21	555128-8	Bar—Throttle position.....							1	DE
22	AN3210-1	Switch—Low travel limit.....							2	DE
23	9-10762	Actuator—Type "T" (MSC).....							1	DE
	557704	Shafts Installation—Crew nacelle sta 191 throttle (For next assembly see page 267).....							NP	DE
24	458228	Shaft Assembly—Crew nacelle sta 191 right throttles follow up.....							1	DE
25	258269	Pulley Assembly—Crew nacelle sta 191 right throttle emergency disengage cable.....							1	DE
	NAS51-175	Ring—External retainer.....							4	DE
26	458230	Drum—Crew nacelle sta 191 right throttle follow up cable.....							1	DE
27	558226	Shaft Assembly—Crew nacelle sta 191 left throttle emergency disengage.....							1	DE
28	558179	Shaft Assembly—Crew nacelle sta 191 left throttle follow up.....							1	DE
	Attaching Parts									
29	458257	Bearing Assembly—Crew nacelle sta 191 upper outboard throttle shaft.....							1	DE
30	458256	Bearing Assembly—Crew nacelle sta 191 upper inboard throttle shaft.....							1	DE
	AN3-20A	Bolt—Aircraft 10-32.....							4	DE
	AN960D10	Washer—Plain.....							4	DE
	AN365-1032	Nut—Selflocking.....							4	DE
31	458180	Drum—Crew nacelle sta 191 left throttles follow up cables.....							1	DE
	NAS51-125	Ring—External retainer.....							3	DE
32	158260	Spacer—Crew nacelle sta 191 left throttles follow up shaft.....							1	DE
33	458250	Guard Assembly—Crew nacelle sta 191 upper aft throttle cable.....							1	DE
34	458249	Guard Assembly—Crew nacelle sta 191 upper forward throttle cable.....							1	DE
35	558052	Shaft Assembly—Crew nacelle sta 191 right throttle emergency disengage.....							1	DE
36	458259	Bearing Assembly—Crew nacelle sta 191 right throttle emergency disengage cable.....							1	DE
37	258258	Bearing Assembly—Crew nacelle sta 191 lower inboard throttle shaft.....							1	DE
	AN4-20A	Bolt—Aircraft 1 4-28.....							4	DE
	AN960D416	Washer—Plain.....							4	DE
	AN365-428	Nut—Self locking.....							4	DE
38	258252	Guard Assembly—Crew nacelle sta 191 lower aft throttle cable.....							1	DE
39	258251	Guard Assembly—Crew nacelle sta 191 lower forward throttle cable.....							1	DE
40	458245	Bracket Assembly—Crew nacelle sta 191 right throttle emergency disengage cable guard.....							1	DE
	Attaching Parts									
	AN3-5A	Bolt—Aircraft 10-32.....							2	DE
	AN3-4A	Bolt—Aircraft 10-32.....							6	DE
	AN960D10	Washer—Plain.....							8	DE
	AN365-1032	Nut—Self locking.....							8	DE

RESTRICTED
AN 01-15EAA-4
FUNCTIONAL GROUP

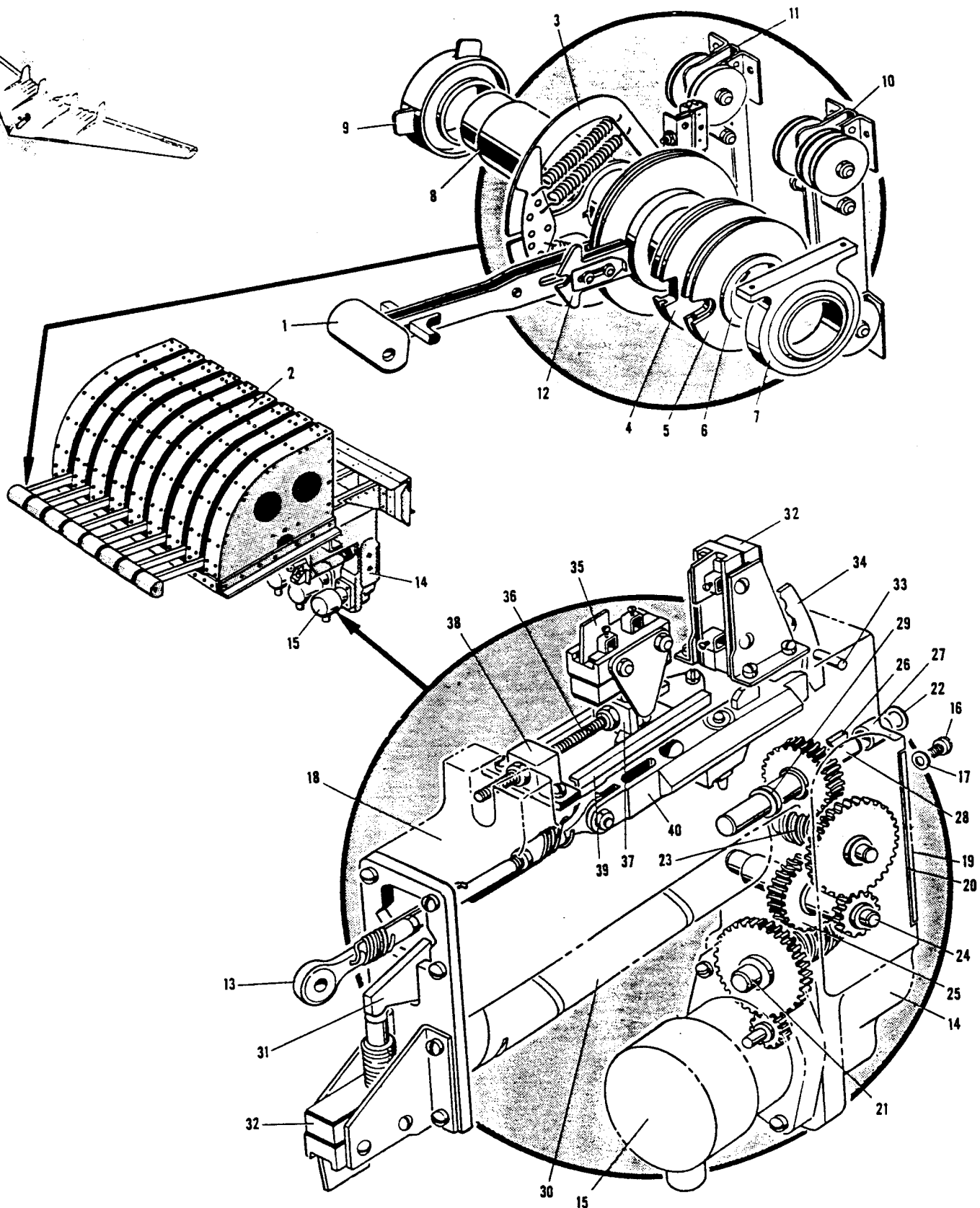


FIGURE 153—YB-49 FLIGHT ENGINEER'S THROTTLE CONTROL UNIT

RESTRICTED

FUNCTIONAL GROUP
YB-49 FLIGHT ENGINEER'S THROTTLE CONTROL UNIT

FIGURE & INDEX NUMBER	PART NUMBER	NOMENCLATURE							UNITS PER ASSEM	USAGE CODE
		1	2	3	4	5	6	7		
	557888	Unit Installation—Flight engineer's throttle control (For next assembly see page 267)							NP	DE
153 - 1	557890	Handle Assembly—Flight engineer's throttle control							8	DE
2	557889	Support Assembly—Flight engineer's throttle control							1	DE
3	557891	Switch Assembly—Flight engineer's throttle control limiter trimmer							8	DE
	CR1070D112C3	Switchette—(GE)							2	DE
	557891-8	Quadrant—Flight engineer's throttle control limiter trimmer switch							1	DE
	557891-14	Arm—Flight engineer's throttle control limiter trimmer switch							2	DE
	157988	Spring—Flight engineer's throttle control outer limit trim							4	DE
4	557894	Quadrant Assembly—Flight engineer's throttle control disengaging LH							4	DE
	557894-1	Quadrant Assembly—Flight engineer's throttle control disengaging RH							4	DE
5	457895	Quadrant—Flight engineer's throttle control follow up							2	DE
6	157904	Retainer—Flight engineer's throttle control key							4	DE
7	457896	Housing Assembly—Flight engineer's throttle control end bearing							2	DE
	457898	Bearing Assembly—Flight engineer's throttle control torque tube							1	DE
8	457902	Tube—Flight engineer's throttle control torque							2	DE
9	457897	Housing Assembly—Flight engineer's throttle control center bearing							1	DE
	457898	Bearing Assembly—Flight engineer's throttle control torque tube							1	DE
10	457900	Bracket Assembly—Flight engineer's throttle control outer cable guard LH							1	DE
	457900-1	Bracket Assembly—Flight engineer's throttle control outer cable guard RH							1	DE
	458050	Bracket Assembly—Flight engineer's throttle control cable guard							1	DE
	AN210-1A	Pulley—Control							6	DE
11	457899	Bracket Assembly—Flight engineer's throttle control inner cable guard LH							1	DE
	457899-1	Bracket Assembly—Flight engineer's throttle control inner cable guard RH							1	DE
	459902	Bracket Assembly—Flight engineer's throttle control inner cable guard							1	DE
	AN210-1A	Pulley—Control							3	DE
12	557892	Arm Assembly—Flight engineer's throttle control motor driven							4	DE
	557892-1	Arm Assembly—Flight engineer's throttle control motor driven							4	DE
13	457893	Rod Assembly—Flight engineer's throttle control drive motor							8	DE
14	557797	Unit Assembly—Throttle control motor							8	DE
	Attaching Parts									
	AN73-4	Bolt—Drilled head							16	DE
	AN960D10	Washer—Plain							16	DE
15	C616	Motor—(EEM)							1	DE
16	AN503-10-16	Screw—Drilled fillister head machine coarse							4	DE
17	AN960D10	Washer—Plain							4	DE
18	557798	Housing Assembly—Throttle control gear box							1	DE
19	257820	Cover—Throttle control gear box cover							1	DE
20	257823	Gasket—Throttle control gear box cover							1	DE
21	257816	Shaft—Throttle control worm gear							2	DE
22	157817	Shim—Throttle control drive gear							7	DE
23	457815	Worm—Throttle control drive							2	DE
	S1KDD7	Bearing—(FAF)							7	DE
	NAS50-62	Ring—Internal retainer							4	DE
24	257814	Pinion—Throttle control drive reduction							1	DE
25	457813	Gear—Throttle control drive worm							2	DE
26	160130	Key—.375 dia. woodruff							3	DE
27	157818	Spacer—Throttle control drive gear							2	DE
28	257812	Shaft—Throttle control gear box output							1	DE
29	158002	Shim—Throttle control gear box output shaft							1	DE
	S3KDD	Bearing—(FAF)							1	DE
	NAS50-87	Ring—Internal retainer							1	DE
30	458000	Cam Assembly—Throttle control							1	DE
	457811	Cam—Throttle control drive							1	DE
	257799	Cap—Throttle control cam aft							1	DE
	257822	Cap—Throttle control cam forward							1	DE
	257808	Plate Assembly—Throttle control cam support							1	DE
31	257806	Actuator—Throttle control cam open switch							1	DE
32	BZ7RQ1T	Switch—(MCS)							2	DE
33	157821	Rod—Throttle control switch actuator pivot							1	DE
34	257807	Actuator—Throttle control cam closed switch							1	DE
35	BZ7RQ95	Switch—(MCS)							1	DE
36	257801	Shaft—Throttle control cam intermediate switch							1	DE
	AN364-1032	Nut—Self locking thin							2	DE
	AN960-10L	Washer—Plain							2	DE
37	257804	Slide—Throttle control cam intermediate switch							1	DE
38	257800	Guide—Throttle control cam intermediate switch							1	DE
39	257802	Way—Throttle control cam intermediate switch							1	DE
40	258054	Sled Assembly—Throttle control cam follower							1	DE
	257809	Sled—Throttle control cam follower							1	DE

FUNCTIONAL GROUP

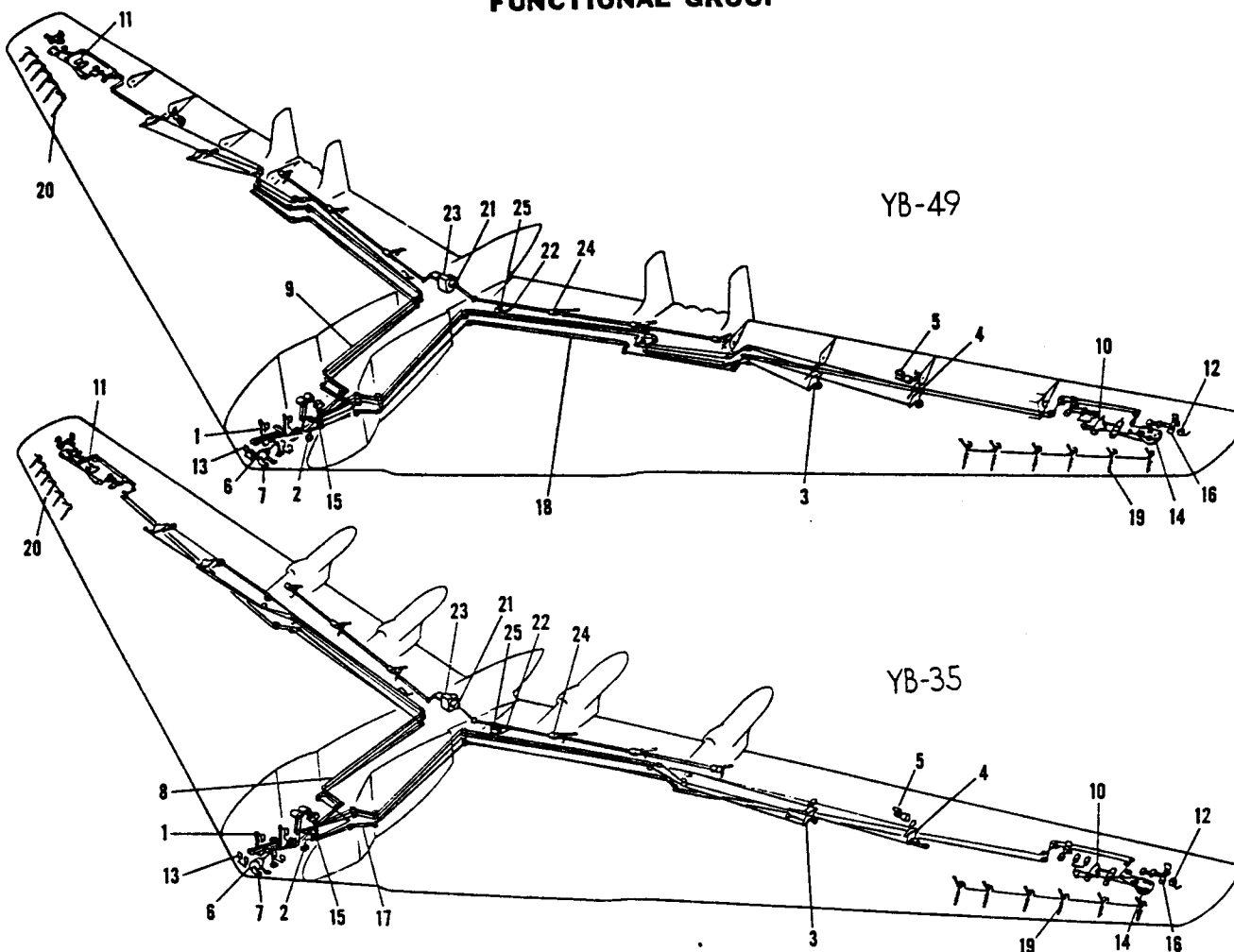


FIGURE 154—FLIGHT CONTROLS

FLIGHT CONTROLS

FIGURE & INDEX NUMBER	PART NUMBER	NOMENCLATURE	UNITS PER ASSEM	USAGE CODE
		1 2 3 4 5 6 7		
	251649	Controls Installation—Flight (For next assembly see page 13)	NP	ALL
154 - 1	550870	Column Installation—Control (For detail breakdown see page 277)	NP	ALL
2	553304	Stick Installation—Pilot's formation (For detail breakdown see page 273)	NP	ALL
3	552631	Mechanism Installation—Elevon servo valve inboard operating (For detail breakdown see page 273)	NP	ALL
4	552678	Mechanism Installation—Elevon servo valve outboard operating (For detail breakdown see page 273)	NP	ALL
5	557429	Mechanism Installation—Emergency elevon control drive (For detail breakdown see page 279)	NP	ALL
6	551435	Bellows Installation—Control force (For detail breakdown see page 273)	NP	ALL
7	552160	Duct Installation—Control force bellows static (For detail breakdown see page 273)	NP	X
8	557483	Cable Installation—Elevon control (For detail breakdown see page 273)	NP	DE
9	557982	Cable Installation—Elevon control (For detail breakdown see page 273)	NP	ALL
10	560206	Actuator Installation—Trim flap complete LH (For detail breakdown see page 286)	NP	ALL
11	560206-1	Actuator Installation—Trim flap complete RH (For detail breakdown see page 286)	NP	ALL
12	552838	Mechanism Installation—Trim flap position transmitter (For detail breakdown see page 286)	NP	ALL
13	551664	Pedal Installation—Rudder and brake (For detail breakdown see page 281)	NP	ALL
14	557609	Mechanism Installation—Rudder control valve operating (For detail breakdown see page 281)	NP	ALL
15	552121	Motor Installation—Auto-pilot servo (For detail breakdown see page 281)	NP	ALL
16	560399	Actuator Installation—Rudder trim (For detail breakdown see page 281)	NP	X
17	552482	Cable Installation—Rudder control (For detail breakdown see page 281)	NP	DE
18	557983	Cable Installation—Rudder control (For detail breakdown see page 281)	NP	ALL
19	597419	Mechanism Installation—Outer wing leading edge slot door LH (For detail breakdown see page 283)	NP	ALL
20	597420	Mechanism Installation—Outer wing leading edge slot door RH (For detail breakdown see page 283)	NP	ALL
21	550800	Controls Installation—Landing flap (For detail breakdown see page 285)	NP	ALL
22	554180	Mechanism Installation—Landing flap position transmitter (For detail breakdown see page 285)	NP	ALL
23	550802	Unit Installation—Landing flap power (For detail breakdown see page 285)	NP	ALL
24	550801	Actuator Installation—Landing flap (For detail breakdown see page 285)	NP	ALL
25	554677	Bracket Installation—Landing flap position transmitter (For detail breakdown see page 285)	NP	ALL

FUNCTIONAL GROUP
ELEVON CONTROLS

FIGURE & INDEX NUMBER	PART NUMBER	1	2	3	4	5	6	7	NOMENCLATURE	UNITS PER ASSEM	USAGE CODE
		Elevon Controls									
155 - 1	550870								Column Installation—Control (For detail breakdown see page 277)	NP	ALL
	555304								Stick Installation—Pilot's formation (For next assembly see page 272)	NP	ALL
2	GXC3145K1								Stick Assembly—Pilot's formation (GFP)	1	ALL
	555309								Fitting Assembly—Pilot's formation stick support	1	ALL
	455305								Sector Assembly—Pilot's formation stick locking	1	ALL
	555308								Bracket—Pilot's formation stick support	1	ALL
	455306								Arm—Pilot's formation stick forward swivel	1	ALL
	455307								Arm—Pilot's formation stick aft swivel	1	ALL
	155312								Lever—Pilot's formation stick locking pin actuator	1	ALL
	155310								Pin—Pilot's formation stick locking	1	ALL
	155313								Spring—Pilot's formation stick locking pin	1	ALL
3	552681								Mechanism Installation—Elevon valve inboard operating (For next assembly see page 272)	NP	ALL
4	R66-50-35								Regulator—Tension (PAS)	2	ALL
	552682								Crank Assembly—Elevon servo valve operating bell LH	1	ALL
	552682-1								Crank Assembly—Elevon servo valve operating bell RH	1	ALL
	452924								Arm—Elevon operating bellcrank cable guard	2	ALL
	457508								Rod Assembly—Elevon inboard servo valve operating preloaded	2	ALL
	552687								Bracket Assembly—Elevon servo valve bellcrank upper LH	1	ALL
	552687-1								Bracket Assembly—Elevon servo valve bellcrank upper RH	1	ALL
	552686								Bracket Assembly—Elevon servo valve bellcrank lower LH	1	ALL
	552686-1								Bracket Assembly—Elevon servo valve bellcrank lower RH	1	ALL
	457642								Bracket Assembly—Elevon emergency follow-up pulley LH	1	ALL
	457642-1								Bracket Assembly—Elevon emergency follow-up pulley RH	1	ALL
	257724								Bracket Assembly—Elevon emergency follow-up quadrant LH	2	ALL
	257724-1								Bracket Assembly—Elevon emergency follow-up quadrant RH	2	ALL
	557634								Quadrant—Elevon emergency control follow-up LH	1	ALL
	557634-1								Quadrant—Elevon emergency control follow-up RH	1	ALL
	257665								Link Assembly—Elevon emergency follow-up pulley bracket	2	ALL
	257667								Fairlead—Elevon emergency follow-up pulley bracket cable	4	ALL
	152923								Guard—Elevon operating bellcrank cable LH	2	ALL
	152923-1								Guard—Elevon operating bellcrank cable RH	2	ALL
	153459								Pin—Elevon servo valve operating cable guard	4	ALL
	157666								Pin—Elevon emergency follow-up quadrant guard	2	ALL
	153023								Bushing—Elevon operating bellcrank cable guard	8	ALL
	BZ-RQ95								Switch—Micro (MCS)	4	ALL
5	552678								Mechanism Installation—Elevon servo valve outboard operating (For next assembly see page 272)	NP	ALL
6	R66-50-35								Regulator—Tension (PAS)	2	ALL
	552679								Crank Assembly—Elevon outboard servo valve operating bell LH	1	ALL
	522679-1								Crank Assembly—Elevon outboard servo valve operating bell RH	1	ALL
	452924								Arm—Elevon operating bell crank cable guard	2	ALL
	457468								Rod Assembly—Elevon outboard servo valve operating preloaded	2	ALL
	552687								Bracket Assembly—Elevon servo valve bellcrank upper LH	1	ALL
	552687-1								Bracket Assembly—Elevon servo valve bellcrank upper RH	1	ALL
	552686								Bracket Assembly—Elevon servo valve bellcrank lower LH	1	ALL
	552686-1								Bracket Assembly—Elevon servo valve bellcrank lower RH	1	ALL
	152923								Guard—Elevon operating bellcrank cable LH	1	ALL
	152923-1								Guard—Elevon operating bellcrank cable RH	1	ALL
	153459								Pin—Elevon servo valve operating mechanism cable guard	4	ALL
	153023								Bushing—Elevon operating bellcrank cable guard	8	ALL
7	557429								Mechanism Installation—Emergency elevon control drive	REF	ALL
	551435								Bellows Installation—Control force (For next assembly see page 272)	NP	ALL
8	551435-2								Bellows Assembly—Control force	1	ALL
	151425								Bearing Assembly—Control force bellows guide	2	ALL
	151433								Rod Assembly—Control force bellows guide	1	ALL
	551437								Housing Assembly—Control force bellows aft	1	ALL
	551439								Diaphragm—Control force bellows	1	ALL
	551721								Housing Assembly—Control force bellows forward	1	ALL
	251725								Rod Assembly—Control force bellows actuating	1	ALL
	451666								Bracket Assembly—Control force bellows lever hinge	1	ALL
	459626								Rod Assembly—Control force bellows mechanism aft short	1	ALL
	459627								Rod Assembly—Control force bellows mechanism aft long	1	ALL
	159622								Link—Control force bellows disengaging	4	ALL
	455791								Lever Assembly—Control force bellows	1	ALL
	159620								Spring—Control force bellows disengaging mechanism	1	ALL
	259625								Lever Assembly—Control force bellows disengaging mechanism	1	ALL
	259621								Pawl—Control force bellows disengaging mechanism	1	ALL
	259623								Rod Assembly—Control force bellows disengaging mechanism	2	ALL
	451490								Gasket—Control force bellows	NP	ALL
9	552260								Duct Installation—Control force bellows (For next assembly see page 272)	NP	ALL
	552260-2								Tube Assembly—Control force bellows duct	1	ALL
	552262								Duct Assembly—Control force bellows	1	ALL
	552263								Intake Assembly—Control force bellows static air	1	ALL
	552261								Duct Assembly—Control force bellows	1	ALL
	452149								Duct Assembly—Control force bellows	1	ALL
	252527								Fitting—Control force bellows static air drain	1	ALL
10	552483								Cable Installation—Elevon control (For next assembly see page 272)	NP	X
11	557982								Cable Installation—Elevon control (For next assembly see page 272)	NP	DE
	455525								Cable Assembly—Nose section crew nacelle left elevon down No. 2	1	ALL
	455526								Cable Assembly—Center crew nacelle right elevon down No. 2	1	ALL
	455527								Cable Assembly—Nose section crew nacelle left elevon down No. 2	1	ALL
	455528								Cable Assembly—Center crew nacelle right elevon down No. 2	1	ALL

RESTRICTED
AN 01-15EAA-4
FUNCTIONAL GROUP

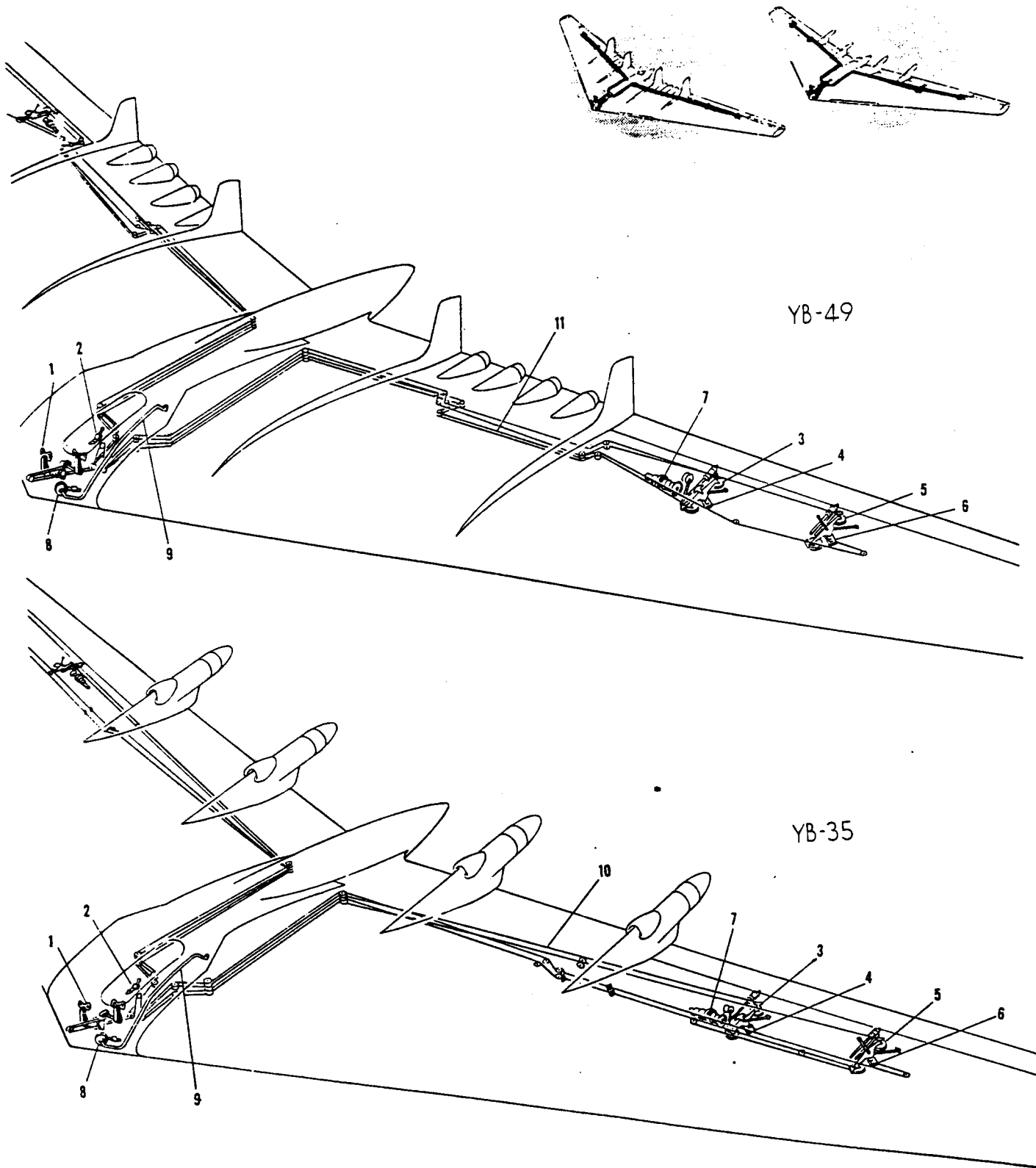


FIGURE 155—ELEVON CONTROLS
RESTRICTED

FUNCTIONAL GROUP
ELEVON CONTROLS

FIGURE & INDEX NUMBER	PART NUMBER	1	2	3	4	5	6	7	NOMENCLATURE	UNITS PER ASSEM	USAGE CODE
155 -	455529	Cable Assembly—Center wing elevon down No. 2	2	X
	455530	Cable Assembly—Outer wing elevon	2	X
	455531	Cable Assembly—Nose section crew nacelle left elevon up No. 2	1	ALL
	455532	Cable Assembly—Center crew nacelle left elevon up No. 2	1	ALL
	455533	Cable Assembly—Nose section crew nacelle right elevon up No. 2	1	ALL
	455534	Cable Assembly—Center crew nacelle right elevon up No. 2	1	ALL
	455535	Cable Assembly—Center wing elevon up No. 2	2	X
	455536	Cable Assembly—Outer wing elevon up No. 2	2	X
	455537	Cable Assembly—Nose section crew nacelle left elevon down No. 1	1	ALL
	455538	Cable Assembly—Center crew nacelle left elevon down No. 1	1	ALL
	455539	Cable Assembly—Nose section crew nacelle right elevon down No. 1	1	ALL
	455540	Cable Assembly—Center crew nacelle right elevon down No. 1	1	ALL
	455541	Cable Assembly—Center wing elevon down No. 1	2	X
	455542	Cable Assembly—Outer wing elevon down No. 1	2	X
	455543	Cable Assembly—Nose section crew nacelle left elevon up No. 1	1	ALL
	455544	Cable Assembly—Center crew nacelle left elevon up No. 1	1	ALL
	455545	Cable Assembly—Nose section crew nacelle right elevon up No. 1	1	ALL
	455546	Cable Assembly—Center crew nacelle right elevon up No. 1	1	ALL
	455547	Cable Assembly—Center wing elevon up No. 1	2	X
	455548	Cable Assembly—Outer wing elevon up No. 1	2	X
	257672	Cable Assembly—Elevon mechanism rear inboard interconnect	2	ALL
	257670	Cable Assembly—Elevon mechanism front inboard interconnect	2	ALL
	257669	Cable Assembly—Elevon emergency follow-up	2	ALL
	257668	Bolt—Elevon emergency follow-up cable adjusting	4	ALL
	458083	Cable Assembly—Outer wing elevon up No. 1	2	DE
	458084	Cable Assembly—Outer wing elevon down No. 2	2	DE
	458085	Cable Assembly—Outer wing elevon down No. 1	2	DE
	458086	Cable Assembly—Outer wing elevon down No. 2	2	DE
	458087	Cable Assembly—Center wing elevon down No. 1	2	DE
	458088	Cable Assembly—Center wing elevon down No. 2	2	DE
	458089	Cable Assembly—Center wing elevon up No. 1	2	DE
	458090	Cable Assembly—Center wing elevon up No. 2	2	DE
	458091	Cable Assembly—Engine bay elevon down No. 1	2	DE
	458092	Cable Assembly—Engine bay elevon down No. 2	2	DE
	458093	Cable Assembly—Engine bay elevon up No. 1	2	DE
	458094	Cable Assembly—Engine bay elevon up No. 2	2	DE
	257671	Cable Assembly—Engine mechanism front outboard interconnect	2	ALL
	257673	Cable Assembly—Engine mechanism rear outboard interconnect	2	ALL
	553086	Guard Assembly—Control column quadrant cable	1	ALL
	455936	Seal Assembly—Crew nacelle station 352 LH elevon down No. 2 cable press	1	ALL
	1103984	Seal—(DG)	1	ALL
	2106260	Housing—(DG)	1	ALL
	455940	Seal Assembly—Crew nacelle station 352 RH elevon up and elevon down No. 2 cable press	2	ALL
	1103984	Seal—(DG)	1	ALL
	2106260	Housing—(DG)	2	ALL
	455941	Seal Assembly—Crew nacelle station 352 RH elevon up No. 1 cable press	2	ALL
	1103984	Seal—(DG)	1	ALL
	2106260	Housing—(DG)	1	ALL
	455942	Seal Assembly—Crew nacelle station 352 RH elevon down No. 1 cable press	1	ALL
	1103984	Seal—(DG)	1	ALL
	2106260	Housing—(DG)	1	ALL
	455943	Seal Assembly—Crew nacelle station 352 LH follow-up No. 2 cable press	1	ALL
	1103984	Seal—(DG)	1	ALL
	2106260	Housing—(DG)	1	ALL
	455944	Seal Assembly—Crew nacelle station 352 LH elevon up and elevon down cable press	2	ALL
	1103984	Seal—(DG)	2	ALL
	2106260	Housing—(DG)	2	ALL
	8CRE622	Seal—(FN)	8	X
	155938	Bracket—Elevon and rudder cable press seal tube clamp	2	ALL
	255937	Clamp—Right hand elevon up and down No. 1 cable press seal tube	2	ALL
	155998	Clamp—Left hand elevon cable press seal tube	4	ALL
	79S12	Clip—(APS)	2	ALL
	155409	Link—Crew nacelle station 194.5 landing gear normal release cables connecting	4	ALL
	10C308-13242	Cable Assembly—	1	ALL
	10C308-13552	Cable Assembly—	1	ALL
	10C320-3880	Cable Assembly—	2	ALL
	10C320-10198	Cable Assembly—	2	ALL

RESTRICTED
AN 01-15EAA-4
FUNCTIONAL GROUP

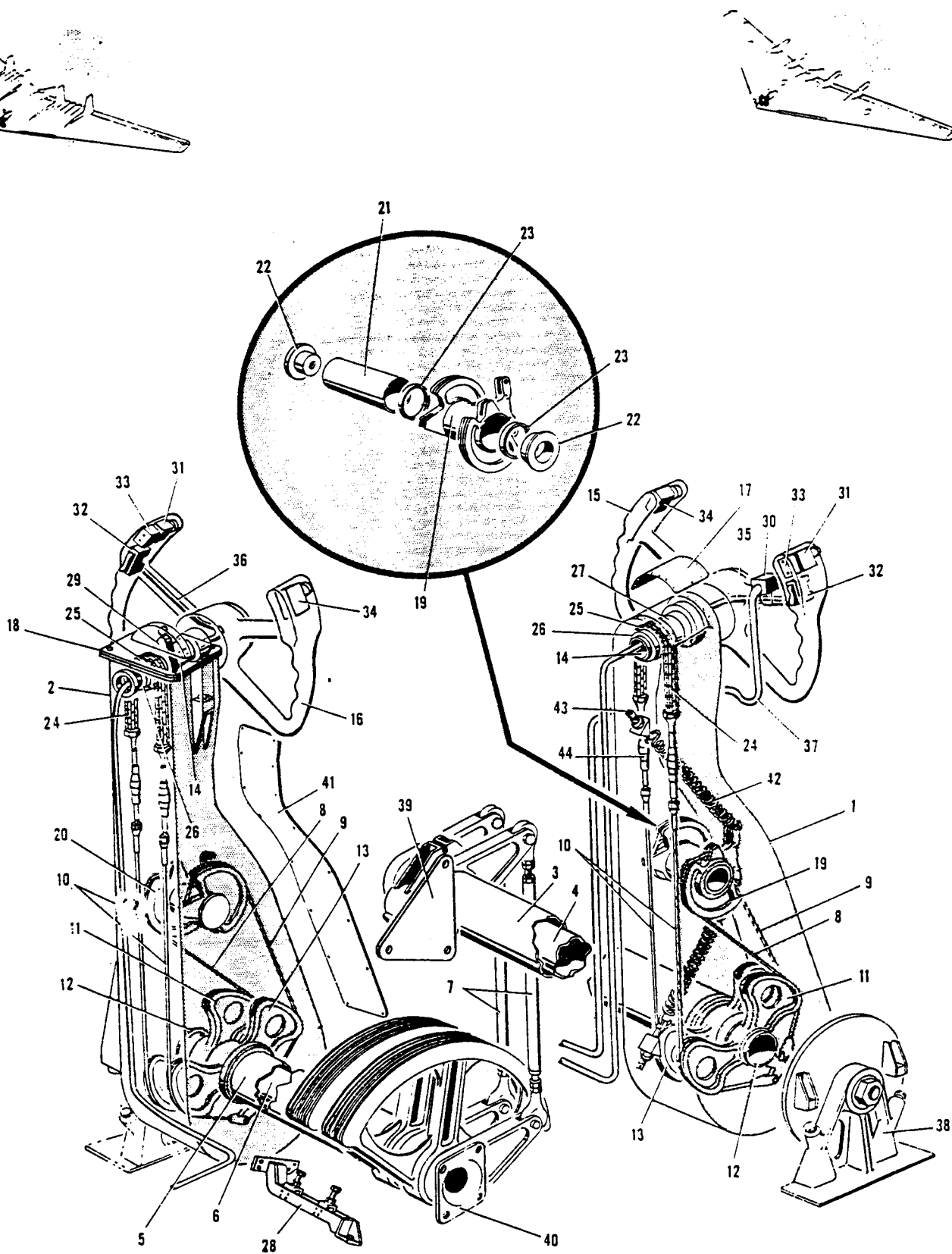


FIGURE 156—CONTROL COLUMN

RESTRICTED

FUNCTIONAL GROUP
CONTROL COLUMN

FIGURE & INDEX NUMBER	PART NUMBER	NOMENCLATURE	UNITS PER ASSEM	USAGE CODE
		1 2 3 4 5 6 7		
	550870	Column Installation—Control (For next assembly see page 272)	NP	ALL
156 - 1	550901	Column Assembly—Pilot's control	1	ALL
2	552385	Column Assembly—Co-Pilot's control	1	ALL
3	550870-2	Tube Assembly—Pilot's control column outer	1	ALL
	550889	Tube Assembly—Pilot's outer control column torque	1	ALL
	450894	Crank Assembly—Control column buss bell	1	ALL
4	550870-4	Tube Assembly—Pilot's control column inner	1	ALL
	550890	Tube Assembly—Pilot's inner control column torque	1	ALL
	450896	Crank Assembly—Pilot's control column buss bell	1	ALL
5	550870-6	Tube Assembly—Co-Pilot's control column outer	1	ALL
	550891	Tube Assembly—Co-Pilot's control column outer torque	1	ALL
	450894	Crank Assembly—Control column buss bell	1	ALL
	550893	Quadrant—Control column cable	1	ALL
6	550870-8	Tube Assembly—Co-Pilot's control column inner	1	ALL
	550892	Tube Assembly—Co-Pilot's control column inner torque	1	ALL
	450895	Crank Assembly—Co-Pilot's control column buss bell	1	ALL
	550893	Quadrant—Control column cable	2	ALL
7	250871	Rod Assembly—Control column buss	2	ALL
8	150880	Cable Assembly—Control column buss inboard	2	ALL
9	150881	Cable Assembly—Control column buss outboard	4	ALL
10	150879	Cable Assembly—Control chain to quadrant	2	ALL
11	450883	Quadrant—Control column outboard	2	ALL
12	150885	Retainer—Control column outboard quadrant	2	ALL
13	450884	Quadrant—Control column inboard	2	ALL
14	250878	Shaft—Control wheel	1	ALL
15	551658	Wheel—Pilot's control column	1	ALL
16	551657	Wheel—Co-Pilot's control column	1	ALL
17	450902	Cap Assembly—Pilot's control column	1	ALL
18	452401	Cap Assembly—Co-Pilot's control column	1	ALL
19	450882	Pulley—Control column buss LH	1	ALL
20	450882-1	Pulley—Control column buss RH	2	ALL
21	150897	Shaft	4	ALL
22	150898	Retainer—Control column buss pulley	4	ALL
23	150899	Spacer—Control column buss pulley	2	ALL
24	250874	Chain Assembly—Control column buss	4	ALL
	13750-6	Terminal—(LIB)	2	ALL
25	150873	Sprocket—Control column chain	2	ALL
26	150875	Spacer—Control column sprocket retaining	1	ALL
27	152402	Spacer—Control column sprocket	NP	ALL
	557219	Stop Installation—Control column elevon down cut-off	1	ALL
28	557219-20	Stop Assembly—Control column elevon down cut-off	1	ALL
29	150872	Stop—Control wheel	NP	ALL
	553670	Electrical Installation—Control column	1	ALL
30	553670-18	Switch Assembly—Control column electrical	1	ALL
	407969A	Switch Assembly—(MH)	1	ALL
	DSO	Switch—Normally open (HET)	1	ALL
	553670-16	Cord—Control column electrical switch	2	ALL
31	980A	Switch—Push button (SQ)	2	ALL
32	981	Switch—Lever (SQ)	2	ALL
33	111816	Shield—Pilot's aileron control wheel switch	2	ALL
34	155103	Plug—Control wheel switch cavity	1	ALL
35	553670-12	Cable Assembly—Control column electrical	1	ALL
36	553670-14	Cable Assembly—Control column electrical	1	ALL
37	553670-10	Cable Assembly—Control column electrical	1	ALL
38	551462	Bracket Assembly—Pilot's control column outboard support	1	ALL
39	551463	Bracket Assembly—Pilot's control column inboard support	1	ALL
40	551464	Bracket Assembly—Co-Pilot's control column inboard support	2	ALL
41	550903	Cover Assembly—Control column access	1	ALL
	256203	Bearing Assembly—Pilot's control column self-aligning	3	ALL
	256204	Bearing Assembly—Pilot's control column self-aligning	2	ALL
42	150904	Spring—Control wheel centering	2	ALL
43	150900	Clevis—Control wheel spring retaining	4	ALL
44	259054	Barrel—Control column chain to quadrant cable turnbuckle	2	ALL
	150886	Spacer—Control column bearing	2	ALL
	150876	Spacer—Control wheel	1	ALL
	150877	Spacer—Control wheel stop	2	ALL
	150887	Spacer—Control column outboard quadrant	2	ALL
	150888	Spacer—Control column inboard quadrant	2	ALL

RESTRICTED
AN 01-15EAA-4
FUNCTIONAL GROUP

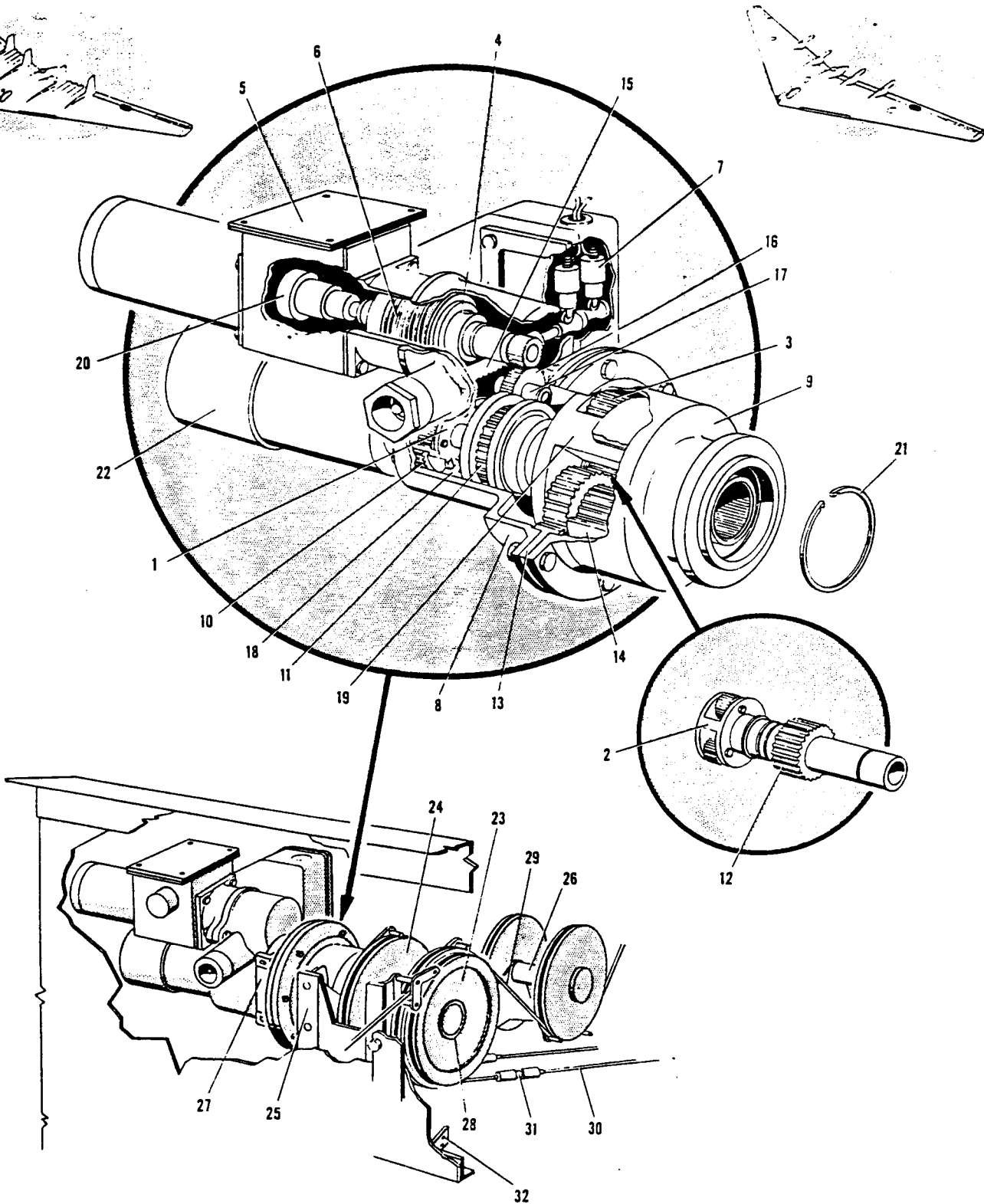


FIGURE 157—EMERGENCY ELEVON CONTROL DRIVE MECHANISM

RESTRICTED

FUNCTIONAL GROUP
EMERGENCY ELECON CONTROL DRIVE MECHANISM

FIGURE & INDEX NUMBER	PART NUMBER	1	2	3	4	5	6	7	NOMENCLATURE	UNITS PER ASSEM	USAGE CODE
	557429								Mechanism Installation—Emergency elevon control drive (For next assembly see page 272)	NP	ALL
	557300								Unit Assembly—Elevon emergency power LH	1	ALL
	557300-1								Unit Assembly—Elevon emergency power RH	1	ALL
157 - 1	557300-2								Gear Assembly—Elevon emergency power unit	1	ALL
2	557300-4								Gear Assembly—Elevon emergency power unit	1	ALL
3	557300-6								Gear Assembly—Elevon emergency power unit	1	ALL
4	557300-8								Brake Assembly—Elevon emergency power unit	1	ALL
5	557300-10								Box Assembly—Elevon emergency power unit control LH	1	ALL
	557300-11								Box Assembly—Elevon emergency power unit control RH	1	ALL
6	254723								Pack Assembly—Power unit clutch and brake	1	ALL
	250497								Disc Assembly—2.00 diameter external spline clutch	13	ALL
	250498								Disc Assembly—.875 diameter internal spline clutch	12	ALL
7	BZ-RQ95								Switch—Micro (MCS)	2	ALL
	557300-12								Spacer—Elevon emergency power unit	8	ALL
8	557301								Housing Assembly—Elevon power unit attachment LH	1	ALL
	557301-1								Housing Assembly—Elevon power unit attachment RH	1	ALL
9	557302								Housing Assembly—Elevon power unit output	2	ALL
10	457304								Gear—Elevon power unit first stage ring	2	ALL
11	457307								Gear Assembly—Elevon power unit second stage ring	2	ALL
12	457308								Gear—Elevon power unit third stage sun	2	ALL
13	457310								Gear—Elevon power unit third stage stationary ring	2	ALL
14	457311								Gear Assembly—Elevon power unit third stage output ring	2	ALL
15	457312								Gear—Elevon power unit overload limit mechanism rack	2	ALL
16	457313								Gear Assembly—Elevon power unit idler	2	ALL
17	257318								Shaft—Elevon power unit idler gear	2	ALL
18	257320								Support Assembly—Elevon power unit first stage planet	2	ALL
19	457322								Carrier Assembly—Elevon power unit third stage planet	2	ALL
20	257327								Housing Assembly—Elevon power unit brake actuator preloader	2	ALL
	257328								Pin Assembly—Elevon power unit brake solenoid attachment	2	ALL
	257329								Pin—Elevon power unit brake solenoid attachment guide	2	ALL
	257330								Guide—Elevon power unit actuator preloader spring	4	ALL
	257331								Cap—Elevon power unit brake actuator preloader	1	ALL
	557332								Box Assembly—Elevon power unit brake solenoid support LH	2	ALL
	557332-1								Box Assembly—Elevon power unit brake solenoid support RH	1	ALL
	560505								Box Assembly—Elevon power unit limit switch LH	1	ALL
	560505-1								Box Assembly—Elevon power unit limit switch RH	1	ALL
	257335								Spacer—Elevon power unit output ring gear bearing	2	ALL
	257337								Cam—Elevon power unit overload limit control switch actuator	2	ALL
	257338								Guide—Elevon power unit overload limit control spring	4	ALL
	257339								Retainer—Elevon power unit overload limit control spring	2	ALL
	157340								Spring—Elevon power unit overload limit control	2	ALL
	157341								Spring—Elevon power unit brake actuator preloader	2	ALL
	457343								Gasket—Elevon power unit flange	4	ALL
	257345								Spacer—Elevon power unit third stage sun gear	2	ALL
	557300-16								Ring—Elevon emergency power unit snap (make from NASS1-181)	2	ALL
21	557300-18								Ring—Elevon emergency power unit snap (make from NASS0-256)	2	ALL
22	457793								Motor Assembly—Elevon emergency power unit	2	ALL
	457785								Pinion—Elevon emergency power unit motor attaching	2	ALL
	SBA40NJ96								Motor—(GE)	2	ALL
	13681								Solenoid—(CED)	2	ALL
	E3160M0								Ring—Retainer (BTL)	2	ALL
	X2160M0								Ring—Retainer (BTL)	2	ALL
	157362								Washer—Elevon power unit third stage planet shaft retaining	2	ALL
23	457547								Pulley Assembly—Emergency elevon drive outboard LH	1	ALL
	457547-1								Pulley Assembly—Emergency elevon drive outboard RH	1	ALL
	557436								Pulley—Emergency elevon drive outboard	2	ALL
24	457549								Pulley Assembly—Emergency elevon drive inboard	2	ALL
	457437								Pulley—Emergency elevon drive inboard	1	ALL
25	561340								Bracket—Emergency elevon drive outer torque tube LH	1	ALL
	561340-1								Bracket—Emergency elevon drive outer torque tube RH	2	ALL
26	561341								Bracket—Emergency elevon drive cable pulley	2	ALL
27	257552								Support—Emergency elevon drive motor	2	ALL
28	257550								Tube—Emergency elevon drive outer torque	2	ALL
	257560								Strap Assembly—Emergency elevon drive pulley bracket tension LH	2	ALL
	257560-1								Strap Assembly—Emergency elevon drive pulley bracket tension RH	4	ALL
29	257545								Cable Assembly—Emergency drive elevon up	4	ALL
30	257562								Cable Assembly—Emergency drive elevon down	4	ALL
31	157563								Shaft—Emergency drive cable turnbuckle	4	ALL
	257551								Clip—Emergency elevon drive motor LH	1	ALL
	257551-1								Clip—Emergency elevon drive motor RH	1	ALL
32	257557								Angle—Emergency elevon drive pulley tension strap attaching LH	2	ALL
	257557-1								Angle—Emergency elevon drive pulley tension strap attaching RH	2	ALL
	157556								Spacer—Emergency elevon drive outboard tension strap	2	ALL
	157555								Spacer—Emergency elevon drive torque tube	2	ALL
	157554								Filler—Emergency elevon drive inboard tension strap LH	1	ALL
	157554-1								Filler—Emergency elevon drive inboard tension strap RH	1	ALL
	257576								Plate—Emergency elevon drive lower cable guard	2	ALL
	257575								Plate—Emergency elevon drive upper cable guard	2	ALL

RESTRICTED
AN 01-15EAA-4
FUNCTIONAL GROUP

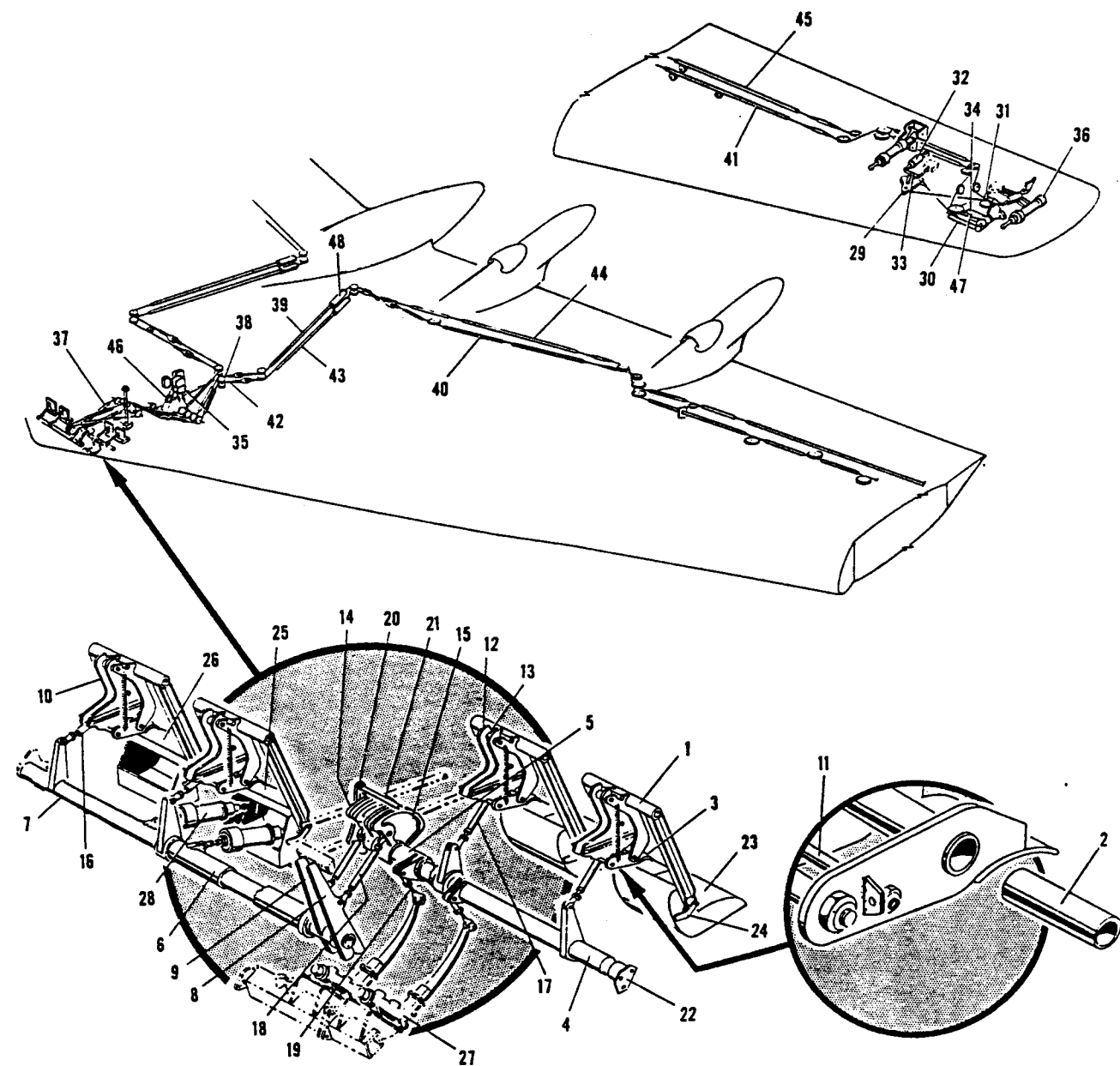
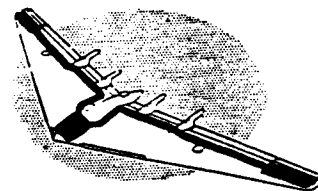
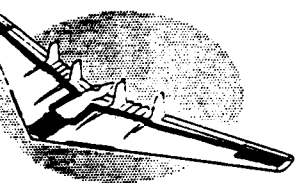


FIGURE 158—RUDDER CONTROLS

RESTRICTED

FUNCTIONAL GROUP
RUDDER CONTROLS

FIGURE & INDEX NUMBER	PART NUMBER	1	2	3	4	5	6	7	NOMENCLATURE	UNITS PER ASSEM	USAGE CODE
	551664								Rudder Controls		
									Pedal Installation—Rudder and brake (For next assembly see page 272)	NP	ALL
158 - 1	552021								Pedal Assembly—Rudder	4	ALL
2	152417								Spacer—Rudder pedal adjustable latch	4	ALL
3	252019								Latch Assembly—Rudder pedal	4	ALL
4	552029								Shaft Assembly—Pilot's left rudder pedal torque	1	ALL
5	552030								Shaft Assembly—Pilot's right rudder pedal torque	1	ALL
6	552234								Shaft Assembly—Co-Pilot's left rudder pedal torque	1	ALL
7	552273								Shaft Assembly—Co-Pilot's right rudder pedal torque	1	ALL
8	452026								Arm Assembly—Left rudder pedal stop	1	ALL
9	452027								Arm Assembly—Right rudder pedal stop	1	ALL
10	457603								Quadrant Assembly—Co-Pilot's rudder pedal adjustable	2	ALL
11	157632								Spacer—Rudder pedal latch	2	ALL
12	452020								Quadrant Assembly—Rudder pedal adjustable	2	ALL
13	152416								Spacer—Rudder pedal adjustable quadrant	4	ALL
14	552103								Quadrant Assembly—Pilot's right rudder pedal cable	1	ALL
15	552104								Quadrant Assembly—Pilot's left rudder pedal cable	1	ALL
16	252024								Rod Assembly—Co-Pilot's rudder pedal push	2	ALL
17	252023								Rod Assembly—Pilot's rudder pedal push	2	ALL
18	252022								Rod Assembly—Rudder pedal torque tubes connecting	2	ALL
19	252018								Rod Assembly—Foot brake valve	2	ALL
20	452009								Bearing Assembly—Pilot's rudder pedal torque shaft inboard	1	ALL
21	152031								Guard—Rudder pedal cable quadrant	1	ALL
22	251940								Bearing Assembly—Pilot's rudder pedal torque shaft outboard	1	ALL
23	551665								Rest Assembly—Pilot's heel	2	ALL
24	152025								Bolt—Rudder pedal pivot	8	ALL
25	552268								Rest Assembly—Co-Pilot's left heel	1	ALL
26	552235								Rest Assembly—Co-Pilot's right heel	1	ALL
27	405431								Valve—Brake (PDI)	2	ALL
28	452470								Preloader Assembly—Rudder trim	2	ALL
	557609								Mechanism Installation—Rudder control valve operating (For next assembly see page 272)	NP	ALL
29	557612								Crank Assembly—Rudder control valve inboard operating mechanism bell LH	1	ALL
	557612-1								Crank Assembly—Rudder control valve inboard operating mechanism bell RH	1	ALL
30	557936								Crank Assembly—Rudder control valve outboard operating mechanism bell LH	1	ALL
	557936-1								Crank Assembly—Rudder control valve outboard operating mechanism bell RH	1	ALL
31	157923								Link—Rudder control valve operating connection	8	ALL
32	457684								Rod Assembly—Rudder control follow-up	4	ALL
33	257610								Arm Assembly—Rudder control valve operating	4	ALL
34	R72B0-35								Regulator—Tension (STR)	2	ALL
	552121								Motor Installation—Auto pilot servo (For next assembly see page 272)	NP	ALL
35	GX3145A1								Motor—Servo (GFP)	4	ALL
	560399								Actuator Installation—Rudder trim (For next assembly see page 272)	NP	ALL
36	4009EC								Actuator—Rudder trim (LA)	2	ALL
	552482								Cables Installation—Rudder control (For next assembly see page 272)	NP	X
	557983								Cables Installation—Rudder control (For next assembly see page 272)	NP	DE
37	455509								Cable Assembly—Nose section crew nacelle left rudder open forward	1	ALL
38	455510								Cable Assembly—Nose section crew nacelle left rudder open aft	1	ALL
39	455511								Cable Assembly—Nose section crew nacelle left rudder open	1	X
	455512								Cable Assembly—Nose section crew nacelle right rudder open forward	1	ALL
	455513								Cable Assembly—Nose section crew nacelle right rudder open aft	1	X
	455514								Cable Assembly—Nose section crew nacelle right rudder open	1	X
40	455515								Cable Assembly—Center crew nacelle right rudder open	2	X
41	455516								Cable Assembly—Outer wing rudder open	1	ALL
42	455518								Cable Assembly—Nose section crew nacelle left rudder closed	2	X
43	455519								Cable Assembly—Center crew nacelle left rudder closed	1	X
	455520								Cable Assembly—Nose section crew nacelle right rudder closed	1	ALL
	455521								Cable Assembly—Center crew nacelle right rudder closed	1	DE
44	455522								Cable Assembly—Center wing rudder closed	2	X
45	455523								Cable Assembly—Outer wing rudder closed	2	X
	458161								Cable Assembly—Center crew nacelle right rudder open	1	DE
	458162								Cable Assembly—Center crew nacelle right rudder closed	1	DE
	458163								Cable Assembly—Center crew nacelle left rudder open	1	DE
	458164								Cable Assembly—Center crew nacelle left rudder closed	1	DE
	458165								Cable Assembly—Center wing rudder open	2	DE
	458166								Cable Assembly—Center wing rudder closed	2	DE
	458167								Cable Assembly—Outer wing rudder open	2	DE
	458168								Cable Assembly—Outer wing rudder closed	2	DE
	455559								Cable Assembly—Right rudder servo	1	ALL
46	455560								Cable Assembly—Left rudder servo	1	ALL
47	259291								Cable Assembly—Rudder mechanism outboard operating	4	ALL
	458169								Cable Assembly—Engine bay rudder open	2	DE
	458170								Cable Assembly—Engine bay rudder closed	2	DE
	455939								Seal Assembly—Crew nacelle station 352 RH rudder cable pressure	2	ALL
	1103984								Seal—(DG)	2	ALL
48	455945								Seal Assembly—Crew nacelle station 352 LH	2	ALL
	1103984								Seal—(DG)	2	ALL
	155938								Bracket—Elevon and rudder cable pressure seal clamp	4	ALL
	152492								Lock—Rudder servo motor cable	2	ALL
	152493								Lock—Main rudder control cable	2	ALL

RESTRICTED
AN 01-15EAA-4
FUNCTIONAL GROUP

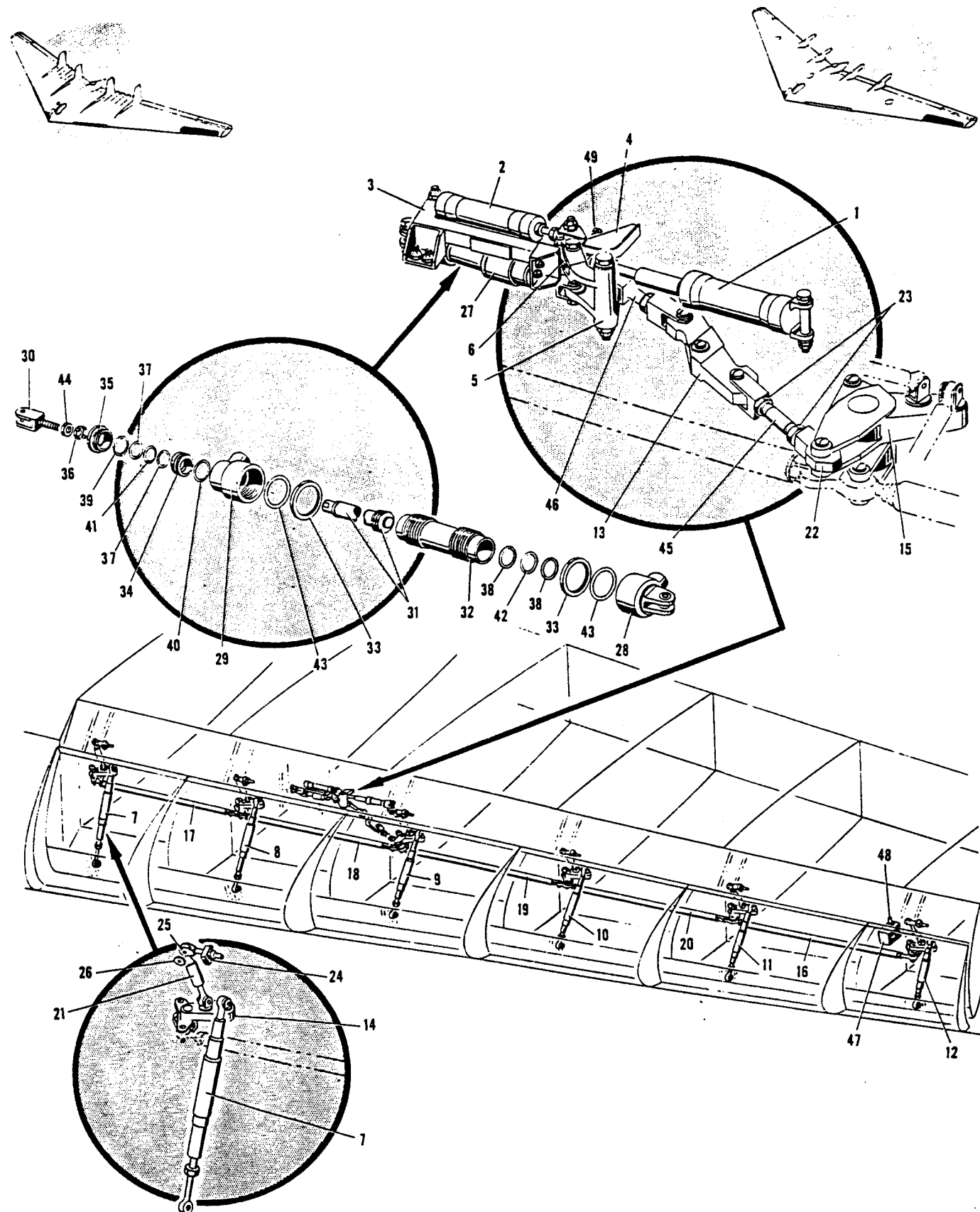


FIGURE 159—SLOT DOOR CONTROLS

RESTRICTED

FUNCTIONAL GROUP
SLOT DOOR CONTROLS

FIGURE & INDEX NUMBER	PART NUMBER	1	2	3	4	5	6	7	NOMENCLATURE	UNITS PER ASSEM	USAGE CODE	
		Slot Door Controls										
	597419	Mechanism Installation—Outer wing leading edge slot door LH (For next assembly see page 272)									NP	ALL
	597420	Mechanism Installation—Outer wing leading edge slot door RH (For next assembly see page 272)									NP	ALL
159 - 1	453564								Bungee Assembly—Slot door large	1	ALL	
	453704								Cylinder Assembly—Slot door large bungee	1	ALL	
	253703								Nut Assembly—Slot door large bungee retaining	1	ALL	
	253700								Rod Assembly—Slot door large bungee piston	1	ALL	
	253701								Rod—Slot door large bungee telescoping	1	ALL	
	253702								Clevis—Slot door large bungee	1	ALL	
	253705								Spring—Slot door large bungee	1	ALL	
2	253706								Bungee Assembly—Slot door small	1	ALL	
	453710								Cylinder Assembly—Slot door small bungee	1	ALL	
	253707								Nut Assembly—Slot door small bungee retaining	1	ALL	
	253708								Rod—Slot door small bungee piston	1	ALL	
	153711								Bolt—Slot door small bungee eye	1	ALL	
	453712								Spring—Slot door small bungee	1	ALL	
3	453712-1								Support Assembly—Slot door small bungee LH	1	ALL	
	453713								Support Assembly—Slot door small bungee RH	1	ALL	
4	453713								Cam Assembly—Slot door small bungee	1	ALL	
5	453715								Crank Assembly—Slot door actuating cylinder bell LH	1	ALL	
	453715-1								Crank Assembly—Slot door actuating cylinder bell RH	1	ALL	
6	253716								Roller Assembly—Slot door cam	1	ALL	
7	455856								Rod Assembly—Slot door station 7 slot door mechanism	1	ALL	
8	455857								Rod Assembly—Slot door station 46 slot door mechanism	1	ALL	
9	455858								Rod Assembly—Slot door station 86 slot door mechanism	1	ALL	
10	455859								Rod Assembly—Slot door station 129 slot door mechanism	1	ALL	
11	455860								Rod Assembly—Slot door station 172 slot door mechanism	1	ALL	
12	455861								Rod Assembly—Slot door station 216 slot door mechanism	1	ALL	
13	497123								Arm Assembly—Slot door operating mechanism	1	ALL	
14	497581								Crank Assembly—Slot door operating mechanism right angle bell LH	5	ALL	
	497582								Crank Assembly—Slot door operating mechanism right angle bell RH	5	ALL	
15	497583								Crank Assembly—Leading edge slot door operating mechanism driver LH	1	ALL	
	497584								Crank Assembly—Leading edge slot door operating mechanism driver RH	1	ALL	
16	297597								Rod Assembly—Leading edge slot door mechanism outboard connecting	1	ALL	
17	297599								Rod Assembly—Leading edge slot door mechanism inboard connecting	1	ALL	
18	497609								Rod Assembly—Leading edge slot door mechanism connecting	2	ALL	
19	497610								Rod Assembly—Leading edge slot door mechanism wing station 840.25 to wing station 879.5 connecting	1	ALL	
20	497611								Rod Assembly—Leading edge slot door mechanism wing station 879.5 to wing station 919.26 connecting	1	ALL	
21	298242								Rod Assembly—Leading edge slot door mechanism upper	6	ALL	
22	298283								End Assembly—Leading edge slot door mechanism link	1	ALL	
23	198318								Nut—Leading edge slot door mechanism	2	ALL	
	198446								Spacer—Leading edge slot door mechanism structure	2	ALL	
	198775								Nut—Leading edge slot door mechanism upper rod adjustable	6	ALL	
24	198778								Swivel—Leading edge slot door mechanism upper rod adjustable	6	ALL	
25	198776								Clevis—Leading edge slot door mechanism upper rod adjustable	6	ALL	
26	198777								Block—Leading edge slot door mechanism upper rod adjustable	12	ALL	
27	558542								Cylinder Assembly—Slot door actuating	1	ALL	
28	558543								Cap Assembly—Slot door cylinder bearing ground	1	ALL	
29	558545								Cap—Slot door cylinder rod end	1	ALL	
30	458546								Bolt—Slot door cylinder eye	1	ALL	
31	458547								Rod Assembly—Slot door cylinder piston	1	ALL	
32	458551								Barrel—Slot door cylinder	1	ALL	
33	458552								Nut—Slot door cylinder barrel lock	2	ALL	
34	258553								Bushing—Slot door cylinder piston rod	1	ALL	
35	258554								Nut—Slot door cylinder bushing retaining	1	ALL	
36	259913								Washer—Slot door cylinder eyebolt lock	2	ALL	
37	AN6246-12								Ring—Hydraulic packing back-up	2	ALL	
38	AN6246-18								Ring—Hydraulic packing back-up	2	ALL	
39	AN6231-3								Wiper—Packing gland ring	1	ALL	
40	AN6227-16								Packing—"O" ring hydraulic	1	ALL	
41	AN6227B12								Packing—"O" ring hydraulic	1	ALL	
42	AN6227B18								Packing—"O" ring hydraulic	1	ALL	
43	AN6227-24								Packing—"O" ring hydraulic	2	ALL	
44	AN316-6R								Nut—Aircraft check	1	ALL	
45	597419-2								Link Assembly—Outer wing leading edge slot door mechanism LH	1	ALL	
	597420-2								Link Assembly—Outer wing leading edge slot door mechanism RH	1	ALL	
46	597419-4								Link Assembly—Outer wing leading edge slot door mechanism LH	1	ALL	
	597420-4								Link Assembly—Outer wing leading edge slot door mechanism RH	1	ALL	
47	AN3210-1								Switch—Low travel limit	1	ALL	
48	MC2711								Actuator—Micro switch (MCS)	1	ALL	
49	258407								Stop Assembly—Leading edge slot door mechanism bell crank	1	ALL	

FUNCTIONAL GROUP

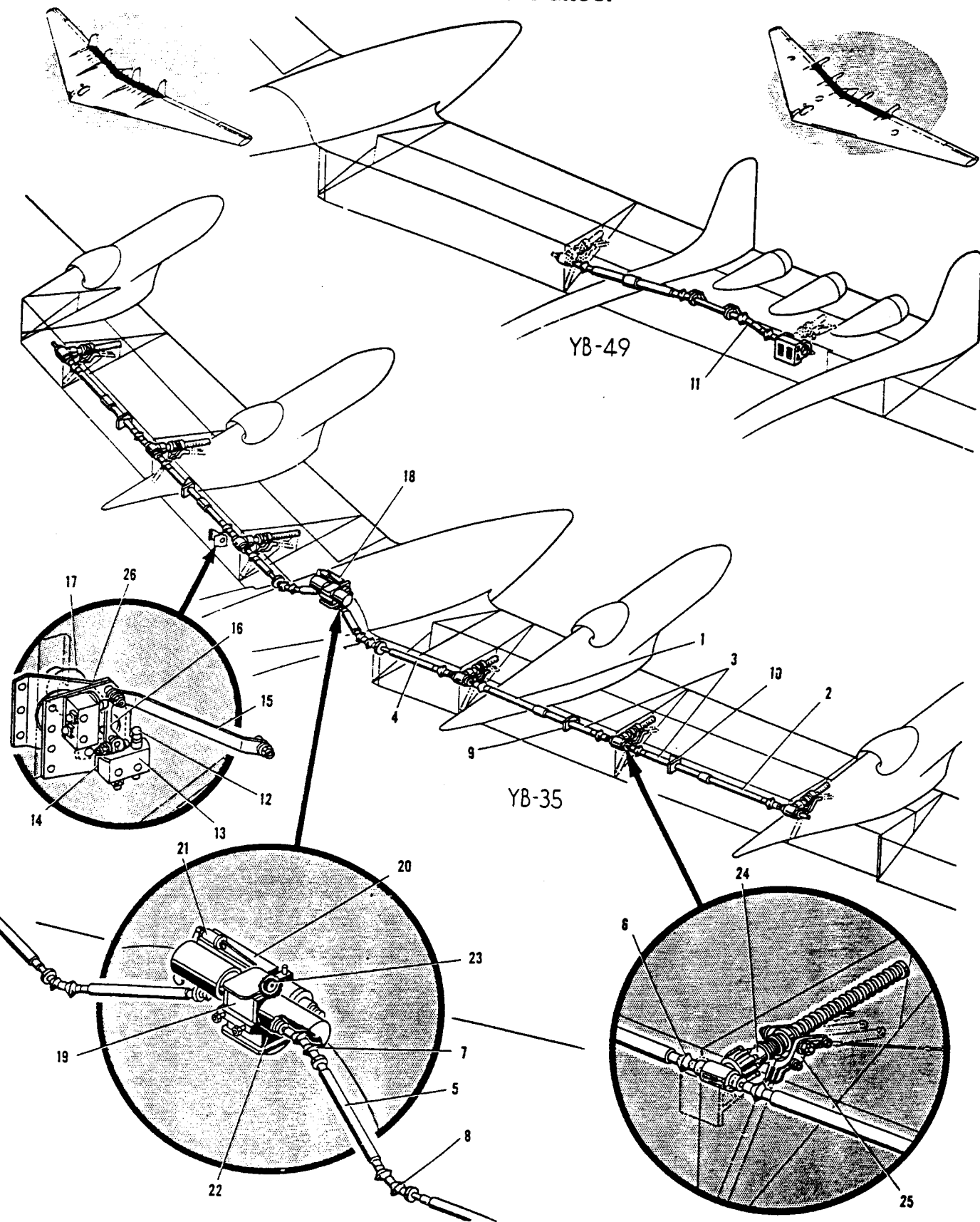


FIGURE 160—LANDING FLAP CONTROLS

RESTRICTED

FUNCTIONAL GROUP
LANDING FLAP CONTROLS

FIGURE & INDEX NUMBER	PART NUMBER	1	2	3	4	5	6	7	NOMENCLATURE	UNITS PER ASSEM	USAGE CODE	
		Landing Flap Controls										
	550800	Controls Installation—Landing flap (For next assembly see page 272)								NP	ALL	
160 - 1	450814-2								Tube Assembly—Landing flap internal splined torque	2	ALL	
2	450814-4								Tube Assembly—Landing flap internal splined torque	2	ALL	
3	450815								Tube Assembly—Landing flap external splined torque	4	ALL	
4	450809								Tube Assembly—Landing flap inboard torque	2	ALL	
5	450808								Tube Assembly—Crew nacelle landing flap torque	2	ALL	
6	250811								Joint—Landing flap torque single universal	10	ALL	
7	UJ719								Joint—Double universal (APX)	2	ALL	
8	UJ720								Joint—Double universal (APX)	2	ALL	
9	559248								Bracket Installation—Landing flap torque tube inboard fairload LH	NP	ALL	
	559248-1								Bracket Installation—Landing flap torque tube inboard fairload RH	NP	ALL	
10	559238								Bracket Installation—Landing flap torque tube outboard fairload LH	NP	ALL	
	559238-1								Bracket Installation—Landing flap torque tube outboard fairload RH	NP	ALL	
11	557195								Control Installation—Outboard landing flap mechanism	NP	DE	
	557114								Bracket Assembly—Flap station 330 landing flap actuator support	2	DE	
	257526								Fitting—Outboard landing flap outboard torque tube	2	DE	
	250811								Joint—Landing flap torque tube single universal	8	DE	
	457378								Bracket Assembly—Center wing landing flap torque tube support	4	DE	
	457525								Tube Assembly—Outboard landing flap inboard torque	2	DE	
	457527								Tube Assembly—Outboard landing flap outboard torque	2	DE	
	No Number								Tube Assembly—Landing flap internal splined torque (E.O. 39718-2)	2	DE	
	No Number								Tube Assembly—Landing flap external splined torque (E.O. 39716-4)	2	DE	
	554180								Mechanism Installation—Landing flap position transmitter and (For next assembly see page 272)	NP	ALL	
12	MD2721								Actuator—Micro switch (MCS)	2	ALL	
13	YZR31								Switch—Micro (MCS)	2	ALL	
14	554180-6								Spacer—Landing flap position transmitter mechanism	2	ALL	
15	554180-4								Link—Landing flap position transmitter and mechanism	1	ALL	
16	554180-2								Arm—Landing flap position transmitter and mechanism	1	ALL	
17	AN5785-1								Transmitter—Landing flap position	1	ALL	
	550802								Unit Installation—Landing flap power (For next assembly see page 272)	NP	ALL	
18	554700								Unit Assembly—Landing flap power	1	ALL	
		Attaching Parts										
	AN4-10A								Bolt—Aircraft 1/4-28	1	ALL	
	AN4-11A								Bolt—Aircraft 1/4-28	2	ALL	
	AN960-416								Washer—Plain	3	ALL	
19	554700-2								Gear Motor Assembly—Landing flap power unit	1	ALL	
	K8705113								Motor—Electric (GE)	2	ALL	
	554704								Clutch Assembly—Landing flap power unit	1	ALL	
20	554700-4								Control Box Assembly—Landing flap power unit	1	ALL	
	44A18454-6								Lamp Assembly	1	ALL	
	AN3121-313								Lamp—T3-1/4 bulb single contact bayonet base	1	ALL	
	AN3102-18-1P								Receptacle	1	ALL	
	MD2721								Actuator—Micro switch (MCS)	2	ALL	
	AN3027-2								Switch—One hole mounting double pole toggle	2	ALL	
21	554700-6								Actuator Assembly—Landing flap power unit brake	1	ALL	
22	554700-8								Planet Assembly—Landing flap power unit	1	ALL	
23	254746								Gear—Landing flap power unit secondary pinion	1	ALL	
	NASS1-50								Ring—Retainer	1	ALL	
	550801								Actuator Installation—Landing flap (For next assembly see page 272)	NP	ALL	
24	A7613								Actuator—Flap (DE)	6	ALL	
25	550960								Yoke Assembly—Flap actuator LH	6	ALL	
	550960-1								Yoke Assembly—Flap actuator RH	6	ALL	
26	554677								Bracket Installation—Landing flap position transmitter (For next assembly see page 272)	NP	ALL	

FUNCTIONAL GROUP

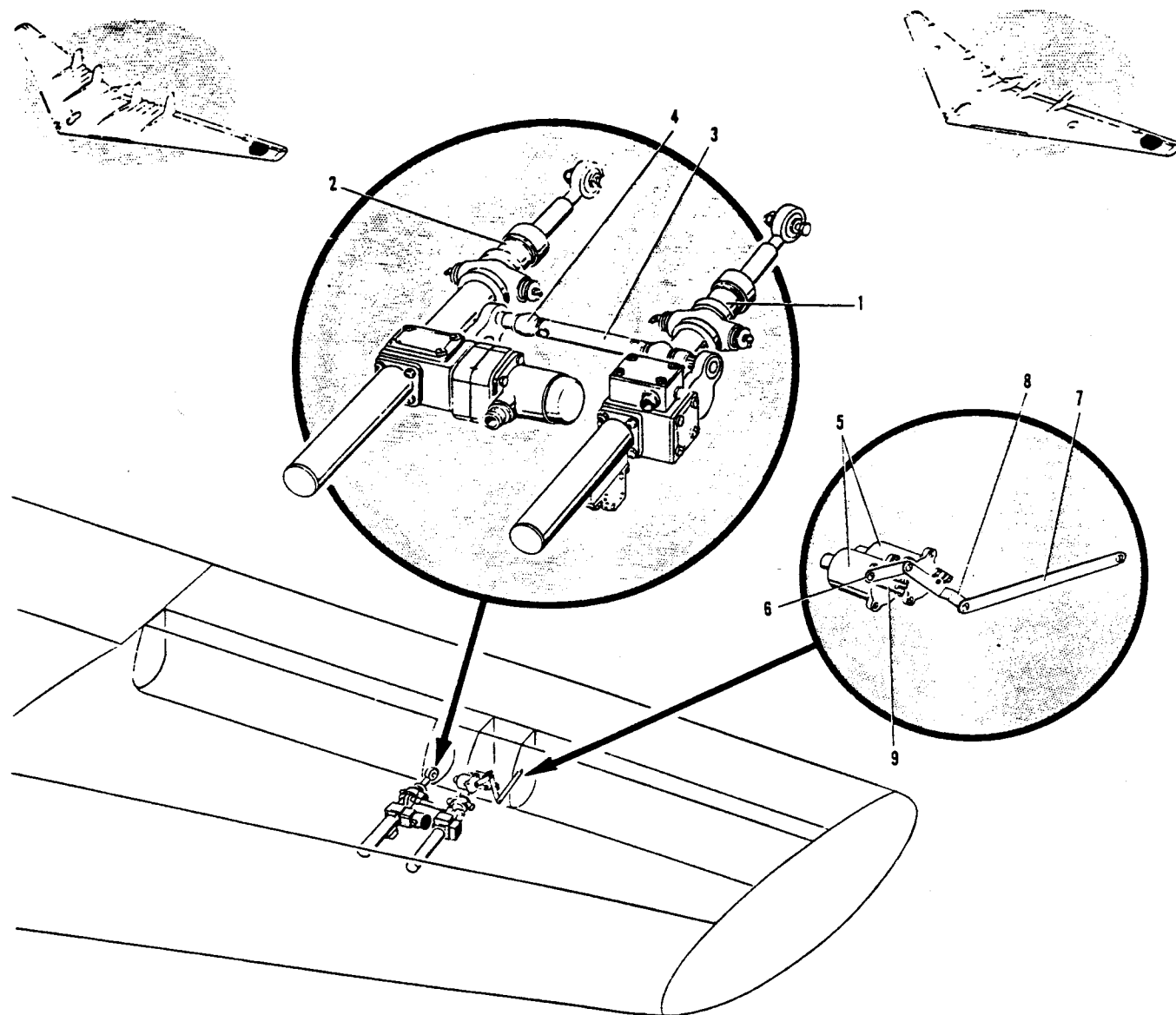


FIGURE 161—TRIM FLAP CONTROLS

TRIM FLAP CONTROLS

FIGURE & INDEX NUMBER	PART NUMBER	NOMENCLATURE	UNITS PER ASSEM	USAGE CODE
		1 2 3 4 5 6 7		
		Trim Flap Controls		
	560206	Actuator Installation—Trim flap complete LH (For next assembly see page 272)	NP	ALL
	560206-1	Actuator Installation—Trim flap complete RH (For next assembly see page 272)	NP	ALL
161 - 1	560205	Actuator Assembly—Trim flap outboard LH	1	ALL
	560205-1	Actuator Assembly—Trim flap outboard RH	1	ALL
2	560208	Actuator Assembly—Trim flap inboard LH	1	ALL
	560208-1	Actuator Assembly—Trim flap inboard RH	1	ALL
3	260270	Shaft Assembly—Trim flap actuator	2	ALL
4	260289	Fitting—Trim flap actuator shaft universal	2	ALL
	552838	Mechanism Installation—Trim flap position transmitter and (For next assembly see page 272)	NP	ALL
5	8TJ19AAR	Transmitter—Position (GE)	4	ALL
6	152842	Link—Trim flap position transmitter interconnecting	2	ALL
7	252843	Link—Trim flap position transmitter drive	2	ALL
8	252840	Crank—Trim flap position transmitter bell LH	1	ALL
	252840-1	Crank—Trim flap position transmitter bell RH	1	ALL
9	152841	Arm—Trim flap position transmitter	2	ALL

FUNCTIONAL GROUP

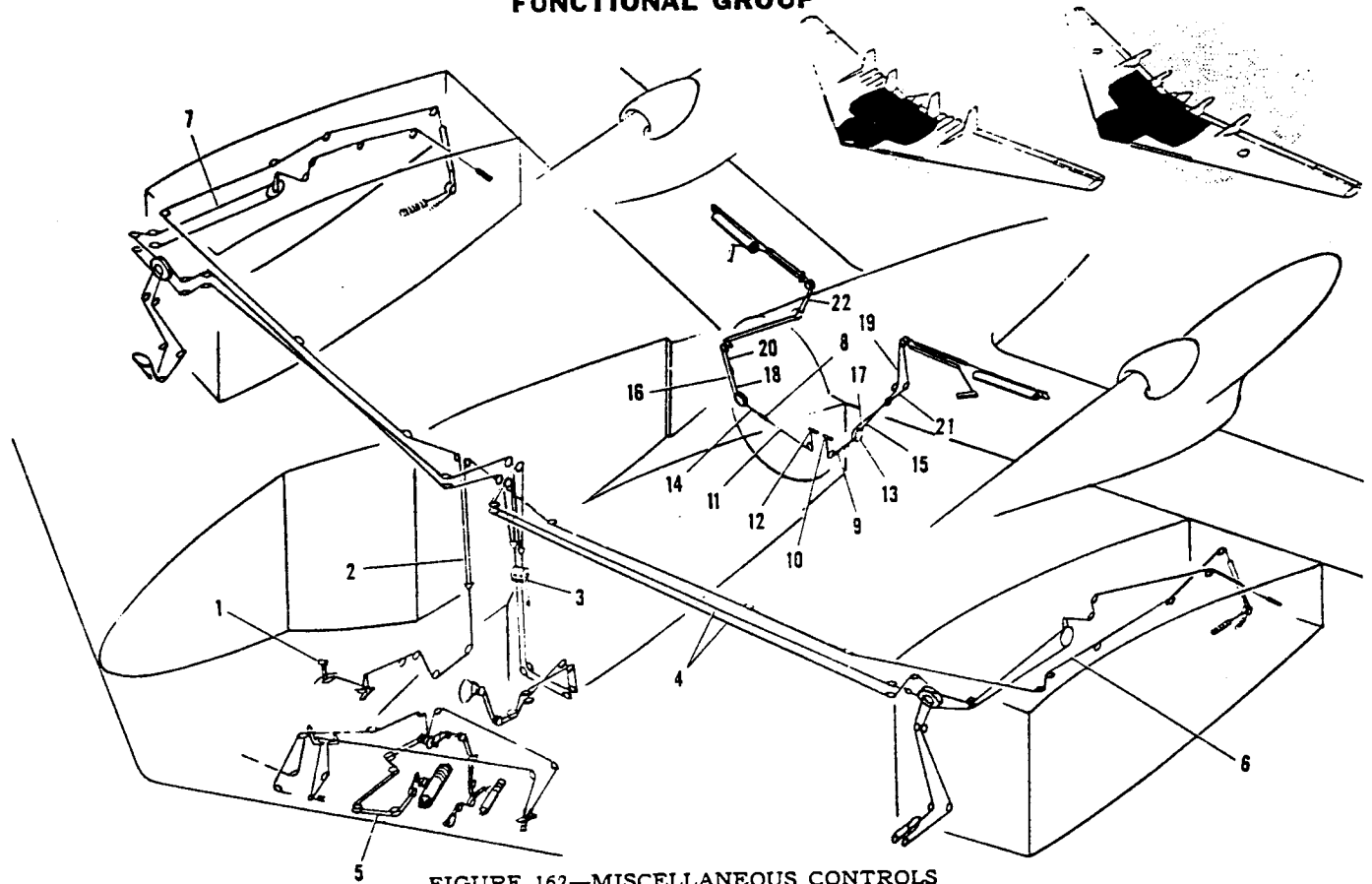


FIGURE 162—MISCELLANEOUS CONTROLS

MISCELLANEOUS CONTROLS

FIGURE & INDEX NUMBER	PART NUMBER	NOMENCLATURE	UNITS PER ASSEM	USAGE CODE
		1 2 3 4 5 6 7		
	251201	Controls Installation—Miscellaneous (For next assembly see page 13)	NP	ALL
162 - 1	553491	Handle Installation—Landing gear control (For detail breakdown see page 289)	NP	ALL
2	552452	Cables Installation—Normal landing gear control (For detail breakdown see page 289)	NP	X
	558173	Cables Installation—Normal landing gear control (For detail breakdown see page 289)	NP	DE
3	555342	Mechanism Installation—Landing gear emergency release control (For detail breakdown see page 294)	NP	ALL
4	552453	Cables Installation—Landing gear emergency release control (For detail breakdown see page 291)	NP	X
	558174	Cables Installation—Landing gear emergency release control (For detail breakdown see page 291)	NP	DE
5	555831	Controls Installation—Nose landing gear wheel well (For detail breakdown see page 291)	NP	ALL
6	555462	Controls Installation—Main landing gear left hand wheel well (For detail breakdown see page 293)	NP	ALL
7	555464	Controls Installation—Main landing gear right hand wheel well (For detail breakdown see page 293)	NP	ALL
8	558981	Cables Installation—Life raft control	NP	G-R
9	261601	Cable Assembly—Left hand life raft control handle	1	G-R
10	261601-4	Handle—Left hand life raft control (Make from AAF 0168719)	1	G-R
11	261602	Cable Assembly—Right hand life raft control handle	1	G-R
12	261602-4	Handle—Right hand life raft control (Make from AAF 0168719)	1	G-R
13	261609-2	Cable Assembly—Left hand life raft operating quadrant	1	G-R
14	10C225-1840	Cable Assembly—Right hand life raft operating quadrant	1	G-R
15	261609-4	Cable Assembly—Left hand life raft operating quadrant	1	G-R
16	10C224-4750	Cable Assembly—Right hand life raft operating quadrant	1	G-R
17	261609-8	Cable Assembly—Left hand life raft operating quadrant	1	G-R
18	10C225-2210	Cable Assembly—Right hand life raft operating quadrant	1	G-R
19	261609-6	Cable Assembly—Left hand life raft operating quadrant	1	G-R
20	10C224-7050	Cable Assembly—Right hand life raft operating quadrant	1	G-R
21	261632	Cable Assembly—Left hand life raft CO2 bottle connecting	1	G-R
22	10C213-5020	Cable Assembly—Right hand life raft CO2 bottle connecting	1	G-R
	555139	Shield Installation—Crew nacelle station 46 to 98 left hand cable	NP	ALL
	556011	Shield Assembly—Crew nacelle station 46 to 98 LH forward cable	1	ALL
	456010	Cover—Left hand cable at control column torque tube	1	ALL
	555935-4	Shield Installation—Crew nacelle station 46 to 98 RH elevon cable	NP	ALL
	555935-24	Shield Assembly—Crew nacelle station 46 to 98 RH elevon cable lower	1	ALL
	555935-26	Shield Assembly—Crew nacelle station 46 to 98 RH elevon cable upper	1	ALL
	555801-4	Shield Installation—Crew nacelle station 98 to 142 RH cable	NP	ALL
	555801-6	Shield Assembly—Crew nacelle station 98 to 142 RH cable	1	ALL
	555899-4	Shield Installation—Crew nacelle station 98 to 110 rudder and servo LH cable	NP	C
	555899-42	Shield Installation—Crew nacelle station 98 to 110 rudder and servo LH cable	NP	D-R
	555899-8	Shield Assembly—Crew nacelle station 98 to 110 rudder and servo LH cable	1	ALL

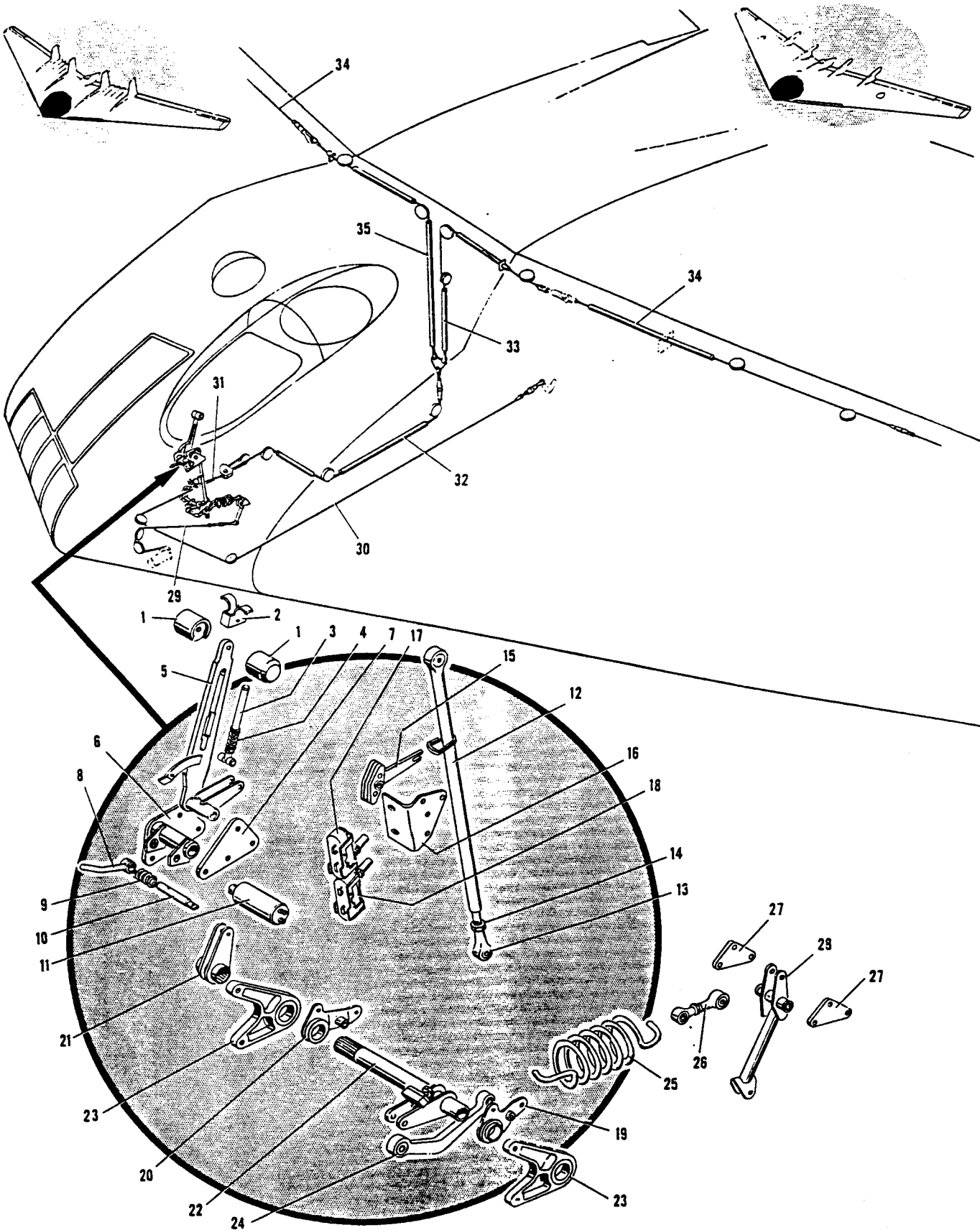


FIGURE 163—LANDING GEAR CONTROL HANDLE AND CABLES

FUNCTIONAL GROUP
LANDING GEAR CONTROL HANDLE AND CABLES

FIGURE & INDEX NUMBER	PART NUMBER	NOMENCLATURE	UNITS PER ASSEM	USAGE CODE
		1 2 3 4 5 6 7		
		Landing Gear Control Handle and Cables		
		Handle Installation—Landing gear control (For next assembly see page 287)	NP	ALL
163 - 1	553491	Handle—Landing gear control	2	ALL
	259225	Bolt—Aircraft (#10-32)	1	ALL
	AN3-7A	Nut—Self locking	1	ALL
	AN365-1032	Washer—Plain	2	ALL
	AN960D10	Catch—Landing gear control lever trigger	1	ALL
2	259230	Trigger Assembly—Landing gear control lever safety lock	1	ALL
3	259231	Spring—Landing gear control handle safety lock	1	ALL
4	157232	Lever Assembly—Landing gear control	1	ALL
5	459232	Bracket Assembly—Landing gear control lever	1	ALL
6	459227	Bolt—Aircraft (1/4-28)	1	ALL
	AN4-25A	Nut—Self locking	1	ALL
	AN365-428	Washer—Plain	4	ALL
	AN960D416	Bracket—Landing gear control handle	1	ALL
7	253495	Arm Assembly—Landing gear control handle solenoid	1	T
8	157261	Arm Assembly—Landing gear control handle solenoid	1	U
	261706	Spring—Landing gear control handle lock solenoid	1	ALL
9	157260	Plunger—Landing gear control handle lock solenoid	1	ALL
10	157271	Solenoid—(Cannon Electric Co.)	1	ALL
11	11445	Rod Assembly—Landing gear control handle	1	ALL
12	253494	Rod End—(FAF)	2	ALL
13	RE3F4	Nut—Aircraft check	2	ALL
14	AN316-4R	Lever Assembly—Landing gear control handle switch		
15	253492	Screw—82° flat head (fine thread)	1	ALL
	AN510-10-30	Nut—Self locking	1	ALL
	AN365-1032	Washer—Plain	1	ALL
	AN960-10L	Bracket—Landing gear control handle switch	1	ALL
16	253493	Micro Switch—(MCS)	2	ALL
17	BZ-R31	Bracket—(MCS)	2	ALL
18	MC2711	Arm Assembly—Landing gear control torque shaft LH	1	ALL
19	253499	Arm Assembly—Landing gear control torque shaft RH	1	ALL
20	253499-1	Bolt—Aircraft (#10-32)	1	ALL
	AN3-13A	Washer—Plain	1	ALL
	AN960C10	Nut—Self locking	1	ALL
	AN365-1032	Arm Assembly—Landing gear control normal cable	1	ALL
21	253500	Bolt—Clevis (#6-40)	1	ALL
	AN21-18A	Washer—Plain	1	ALL
	AN960C6	Nut—Self locking	1	ALL
	AN365-640	Shaft Assembly—Landing gear control torque	1	ALL
22	453498	Support Assembly—Landing gear control torque shaft	2	ALL
23	453501			
		Attaching Parts		
	AN4-12A	Bolt—Aircraft (1/4-28)	4	ALL
	AN960D416	Washer—Plain	8	ALL
	AN365-428	Nut—Self locking	4	ALL
24	258980	Link Assembly—Crew nacelle station 79 landing gear control spring connecting	1	ALL
25	153502	Spring—Landing gear control tension	1	ALL
26	253503	End—Landing gear control spring	1	ALL
27	253505	Bracket—Landing gear spring control left	2	ALL
28	453508	Lever Assembly—Landing gear spring control	1	ALL
	AN4-11A	Bolt—Aircraft (1/4-28)	4	ALL
	AN960D416	Washer—Plain	8	ALL
	AN365-428	Nut—Self locking	4	ALL
	AN4-25A	Bolt—Aircraft (1/4-28)	1	ALL
	AN960D416	Washer—Plain	1	ALL
	AN365-428	Nut—Self locking	1	ALL
	AN23-15	Bolt—Clevis (#10-32)	4	ALL
	AN960C10	Washer—Plain	4	ALL
	AN320-3	Nut—Aircraft shear	4	ALL
	552452	Cables Installation—Normal landing gear control (For next assembly see page 287)	NP	X
	558173	Cables Installation—Normal landing gear control (For next assembly see page 287)	NP	DE
29	455615	Cable Assembly—Nose crew nacelle normal door lock return	1	ALL
30	455614-4	Cable Assembly—Nose crew nacelle normal nose landing gear release	1	ALL
	259113	Link—Crew nacelle sta. 104 landing gear release cable connecting	1	ALL
31	455609	Cable Assembly—Nose crew nacelle normal landing gear release	1	ALL
32	455610	Cable Assembly—Nose crew nacelle normal main landing gear release	1	ALL
	155409	Link—Crew nacelle sta. 194.5 landing gear normal release cable connecting	1	X
33	455611	Cable Assembly—Crew nacelle station 196 LH normal landing gear release	2	X
34	455613	Cable Assembly—Center wing normal landing gear release	1	X
35	455612	Cable Assembly—Crew nacelle station 196 RH normal landing gear release	1	DE
	458274	Cable Assembly—Crew nacelle station 196 LH normal landing gear cable	2	DE
	458273	Cable Assembly—Center wing normal landing gear release	1	DE
	458275	Cable Assembly—Crew nacelle station 196 RH normal landing gear release	1	DE

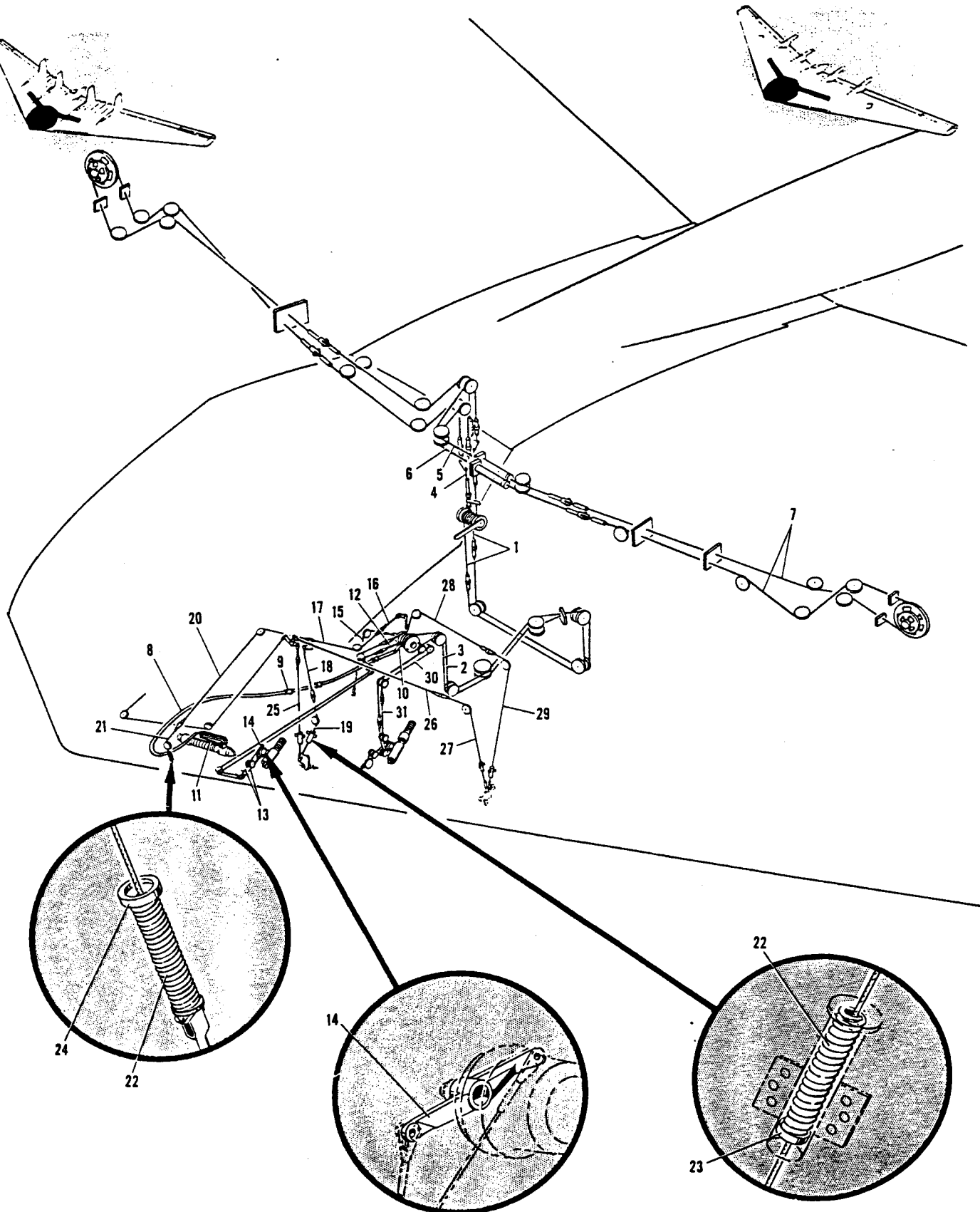


FIGURE 164—EMERGENCY LANDING GEAR CONTROLS

FUNCTIONAL GROUP
EMERGENCY LANDING GEAR CONTROLS

FIGURE &
INDEX
NUMBER

PART NUMBER

1 2 3 4 5 6 7

NOMENCLATURE

UNITS
PER
ASSEM USAGE
CODE

FIGURE & INDEX NUMBER	PART NUMBER	NOMENCLATURE	UNITS PER ASSEM	USAGE CODE
		Emergency Landing Gear and Nose Landing Gear Controls		
	552453	Cables Installation—Landing gear emergency release control (For next assembly see page 287)	NP	X
	558174	Cables Installation—Landing gear emergency release control (For next assembly see page 287)	NP	DE
164 - 1	455623	Cable Assembly—Actuating drum emergency nose landing gear release	2	ALL
2	455624	Cable Assembly—Nose crew nacelle emergency landing gear release	1	ALL
3	455624-8	Cable Assembly—Nose crew nacelle emergency landing gear release	1	ALL
4	455616	Cable Assembly—Actuating drum emergency main landing gear release	2	ALL
5	455619	Cable Assembly—Crew nacelle station 197 LH emergency main landing gear release reset	1	X
6	455617	Cable Assembly—Crew nacelle station 197 LH emergency main landing gear release operating	1	X
7	455618	Cable Assembly—Left hand wing emergency landing gear release	1	X
	455622	Cable Assembly—Crew nacelle station 195 RH emergency main landing gear release reset	1	X
	455620	Cable Assembly—Crew nacelle station 194 RH emergency main landing gear release operating	1	X
	455621	Cable Assembly—Right hand wing emergency landing gear release	1	X
	458277	Cable Assembly—Crew nacelle station 194 LH emergency main landing gear release reset	1	DE
	458278	Cable Assembly—Crew nacelle station 194 LH emergency main landing gear release operating	1	DE
	10C211-11140	Cable Assembly—Crew nacelle RH emergency main landing gear release reset	1	DE
	10C216-11430	Cable Assembly—Crew nacelle RH emergency main landing gear release operating	1	DE
	458276	Cable Assembly—Center wing emergency landing gear release	1	DE
	555831	Controls Installation—Nose landing gear wheel well (For next assembly see page 287)	NP	ALL
8	FC187	Control Unit—(ARN)	1	ALL
9	MT306-6	Clamp—(ARN)	8	ALL
10	255291	Arm—Nose landing gear actuator clutch release	1	ALL
11	555293	Support Assembly—Nose landing gear actuator clutch release lower	1	ALL
12	456095	Cable Assembly—Nose landing gear forward door actuator release	1	ALL
13	10C117-85.79	Cable Assembly—Nose landing gear forward door actuator release control	2	ALL
14	255854	Arm—Nose landing gear forward door actuator emergency release	1	ALL
15	10C219-16.20	Cable Assembly—Nose landing gear up-lock release control	1	ALL
16	456090	Cable Assembly—Nose landing gear bell crank adjusting	1	ALL
17	10C219-24.85	Cable Assembly—Nose landing gear door lock	1	ALL
18	10C218-18.72	Cable Assembly—Nose landing gear emergency door lock	1	ALL
19	456091	Cable Assembly—Nose landing gear emergency inboard door lock release	1	ALL
20	10C211-41.45	Cable Assembly—Nose landing gear lock actuator release	1	ALL
21	456092	Cable Assembly—Nose landing gear lock actuator release	5	ALL
22	155901	Spring—Nose landing gear control cable tension	4	ALL
23	155900	Seat—Nose landing gear controls cable tension spring	1	ALL
24	155841	Guide—Nose landing gear locks actuator spring	1	ALL
25	455837	Cable Assembly—Nose landing gear door locks normal release	1	ALL
26	10C216-73.75	Cable Assembly—Nose landing gear normal door locks release	1	ALL
27	456088	Cable Assembly—Nose landing gear normal outboard door locks	1	ALL
28	10C216-59.40	Cable Assembly—Nose landing gear door locks emergency release	1	ALL
29	456089	Cable Assembly—Nose landing gear outboard door lock emergency release	1	ALL
30	456093	Cable Assembly—Nose landing gear aft door actuator upper	1	ALL
31	456094	Cable Assembly—Nose landing gear aft door actuator lower	1	ALL
		Attaching Parts		
	AN3-7A	Bolt—Aircraft (#10-32)	3	ALL
	AN3-10A	Bolt—Aircraft (#10-32)	3	ALL
	AN3-17A	Bolt—Aircraft (#10-32)	2	ALL
	AN4-14A	Bolt—Aircraft (1/4-28)	1	ALL
	AN21-8A	Bolt—Clevis (#6-40)	1	ALL
	AN23-9	Bolt—Clevis (#10-32)	3	ALL
	AN23-10	Bolt—Clevis (#10-32)	5	ALL
	AN23-11	Bolt—Clevis (#10-32)	1	ALL
	AN23-12	Bolt—Clevis (#10-32)	1	ALL
	AN23-13A	Bolt—Clevis (#10-32)	1	ALL
	AN23-14	Bolt—Clevis (#10-32)	1	ALL
	AN23-18	Bolt—Clevis (#10-32)	21	ALL
	AN960C10	Washer—Plain	10	ALL
	AN960C10L	Washer—Plain	2	ALL
	AN960C416	Washer—Plain	1	ALL
	AN960C6	Washer—Plain	1	ALL
	AN960D10	Washer—Plain	3	ALL
	AN315-3R	Nut—Aircraft plain	14	ALL
	AN320-3	Nut—Aircraft shear	1	ALL
	AN320-6	Nut—Aircraft shear	1	ALL
	AN364-640	Nut—Self locking thin	9	ALL
	AN365-1032	Nut—Self locking	1	ALL
	AN365-428	Nut—Self locking	3	ALL
	AN155-16L	Barrel—Turnbuckle	4	ALL
	AN155-16S	Barrel—Turnbuckle	4	ALL
	AN155-8L	Barrel—Turnbuckle	2	ALL
	AN161-16LS	Fork—Turnbuckle	1	ALL
	AN161-22RL	Fork—Turnbuckle	1	ALL
	AN486-4	Clevis—Rod end adjusting	1	ALL

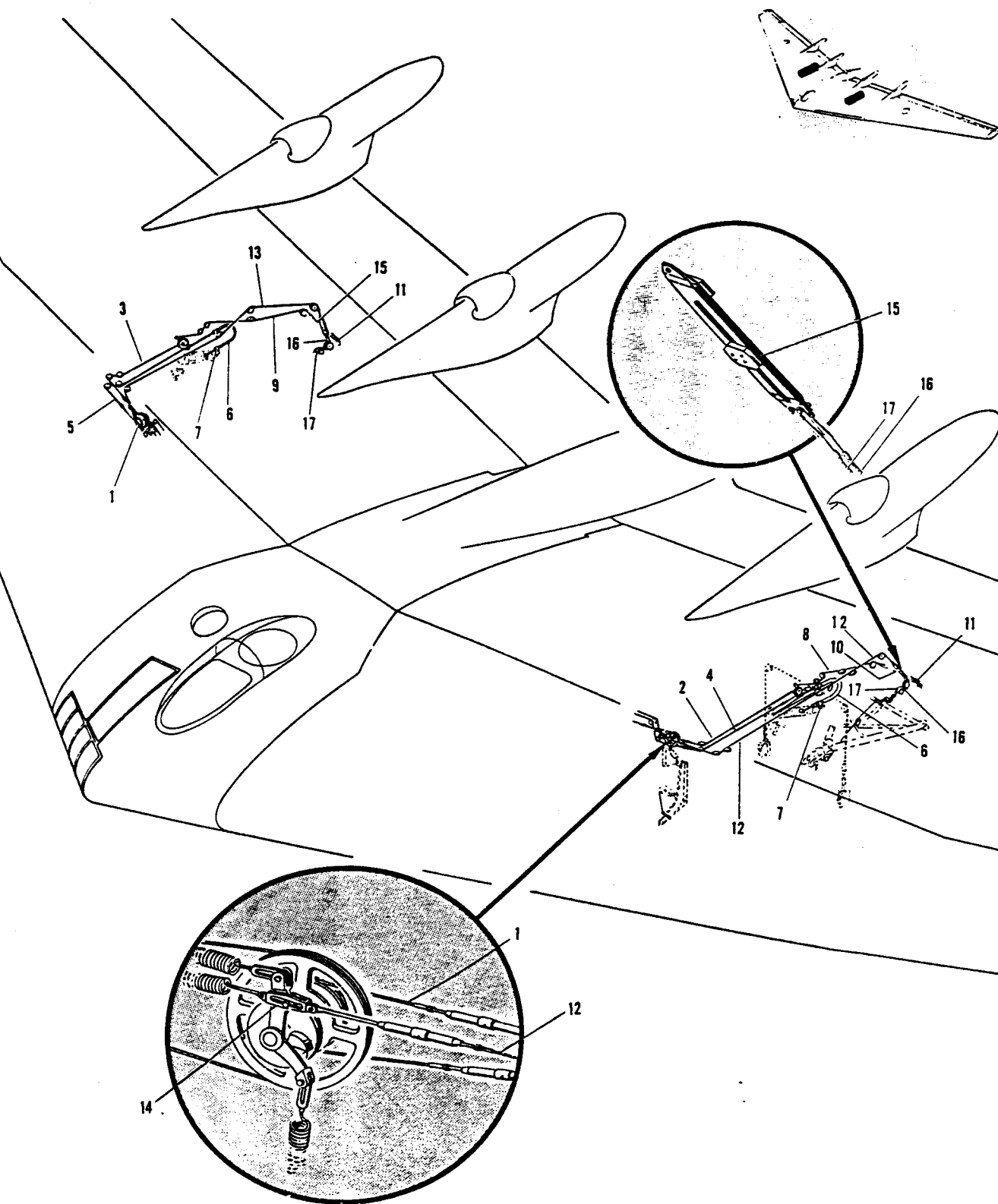


FIGURE 165—MAIN LANDING GEAR CONTROLS

RESTRICTED

FUNCTIONAL GROUP
MAIN LANDING GEAR CONTROLS

FIGURE & INDEX NUMBER	PART NUMBER	NOMENCLATURE							UNITS PER ASSEM	USAGE CODE
		1	2	3	4	5	6	7		
	555462	Controls Installation—Main landing gear LH wheel well (For next assembly see page 287)							NP	ALL
	555464	Controls Installation—Main landing gear RH wheel well (For next assembly see page 287)							NP	ALL
165 - 1	256048	Cable Assembly—Main landing gear emergency release controls forward							2	ALL
2	256047	Cable Assembly—Main landing gear emergency release controls aft LH							1	ALL
3	256052	Cable Assembly—Main landing gear emergency release controls aft RH							1	ALL
4	256046	Cable Assembly—Main landing gear emergency release controls intermediate LH							1	ALL
5	256051	Cable Assembly—Main landing gear emergency release controls intermediate RH							1	ALL
6	FC187	Push—Pull rod (ARN)							2	ALL
7	MT306-6	Clamp—(ARN)							4	ALL
8	10C212-94.56	Cable Assembly—Main landing gear emergency release control LH							1	ALL
9	10C212-90.35	Cable Assembly—Main landing gear emergency release control RH							1	ALL
10	256045	Cable Assembly—Main landing gear door locks emergency release							2	ALL
11	155880	Spring—Main landing gear emergency release control nacelle station 405 cable tension							2	ALL
12	10C201-170.75	Cable Assembly—Main landing gear wheel well emergency control LH							1	ALL
13	10C201-167.25	Cable Assembly—Main landing gear wheel well emergency control RH							1	ALL
14	255484	Fitting—Main landing gear door locks wing station 215.50 operating cable							2	ALL
15	455771	Fitting Assembly—Main landing gear normal and emergency controls wing station 248.5 interconnecting							2	ALL
16	10C213-25	Cable Assembly—Main landing gear crank control outboard								
17	10C213-23.50	Cable Assembly—Main landing gear crank control inboard								
	Attaching Parts									
	AN155-8S	Barrel—Turnbuckle							4	ALL
	AN155-16L	Barrel—Turnbuckle							12	ALL
	AN155-16S	Barrel—Turnbuckle							4	ALL
	AN3-6	Bolt—Aircraft (#10-32)							4	ALL
	AN3-7	Bolt—Aircraft (#10-32)							6	ALL
	AN3-10	Bolt—Aircraft (#10-32)							2	ALL
	AN3-23	Bolt—Aircraft (#10-32)							2	ALL
	AN21-10	Bolt—Clevis (#60-40)							8	ALL
	AN23-10	Bolt—Clevis (#10-32)							2	ALL
	AN23-11	Bolt—Clevis (#10-32)							2	ALL
	AN23-14	Bolt—Clevis (#10-32)							2	ALL
	AN23-14A	Bolt—Clevis (#10-32)							12	ALL
	AN310-3	Nut—Aircraft castle							4	ALL
	AN316-4R	Nut—Aircraft check							2	ALL
	AN320-1	Nut—Aircraft shear							12	ALL
	AN320-3	Nut—Aircraft shear							6	ALL
	AN365-1032	Nut—Self locking							22	ALL
	AN960C10	Washer—Plain							4	ALL
	AN960C10L	Washer—Plain							8	ALL
	AN960D10	Washer—Plain							2	ALL
	AN960D6	Washer—Plain							2	ALL
	AN486-4	Clevis—Rod end adjusting							2	ALL
	AN161-16RL	Fork—Turnbuckle							2	ALL
	AN161-16RS	Fork—Turnbuckle							2	ALL
	152735	Clip—Main landing gear door actuating unit emergency control							2	ALL

FUNCTIONAL GROUP

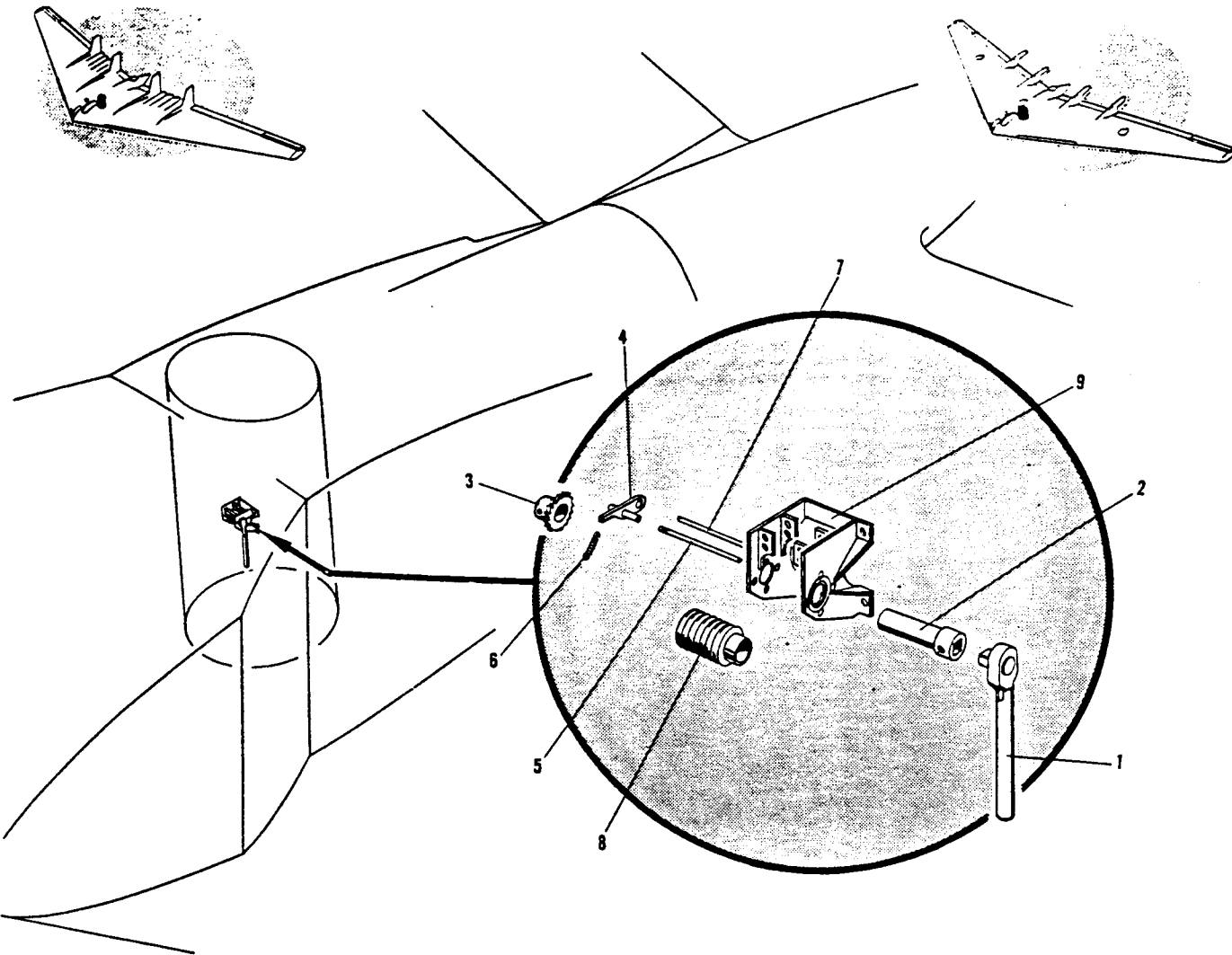


FIGURE 166—LANDING GEAR EMERGENCY RELEASE MECHANISM

LANDING GEAR EMERGENCY RELEASE MECHANISM

FIGURE & INDEX NUMBER	PART NUMBER	1	2	3	4	5	6	7	NOMENCLATURE	UNITS PER ASSEM	USAGE CODE
	555342								Mechanism Installation—Landing gear emergency release control (For next assembly see page 287).	NP	ALL
166 - 1	455343								Handle Assembly—Landing gear emergency release control.	1	ALL
	155347								Screw—Landing gear emergency release control handle lock.	1	ALL
2	255348								Shaft—Landing gear emergency release control.	1	ALL
	AN23-17A								Bolt—Clevis (#10-32).	1	ALL
	AN960-10L								Washer—Plain.	2	ALL
	AN364-1032								Nut—Self locking thin.	1	ALL
3	258239								Wheel—Landing gear emergency control ratchet.	1	ALL
4	258238								Pawl Assembly—Landing gear emergency release control ratchet pawl.	1	ALL
5	158240								Shaft—Landing gear emergency release control ratchet pawl.	1	ALL
6	158237								Spring—Landing gear emergency release control ratchet.	1	ALL
7	158241								Pin—Landing gear emergency release control guard.	1	ALL
8	555346								Drum—Landing gear emergency release control cable.	1	ALL
	AN24-21A								Bolt—Clevis (1/4-28).	2	ALL
	AN960D416								Washer—Plain.	1	ALL
	AN364-428								Nut—Self locking thin.	1	ALL
9	555349								Support Assembly—Landing gear emergency release control drum.	1	ALL
	Attaching Parts										
	AN4-7A								Bolt—Aircraft (1/4-28).	2	ALL
	AN365-428								Nut—Self locking.	4	ALL
	AN960D416								Washer.	8	ALL
	AN24-11A								Bolt—Clevis (1/4-28).	2	ALL
	AN23-10A								Bolt—Clevis (#10-32).	1	ALL
	AN365-1032								Nut—Self locking.	1	ALL
	AN960D10								Washer—Plain.	2	ALL

FUNCTIONAL GROUP

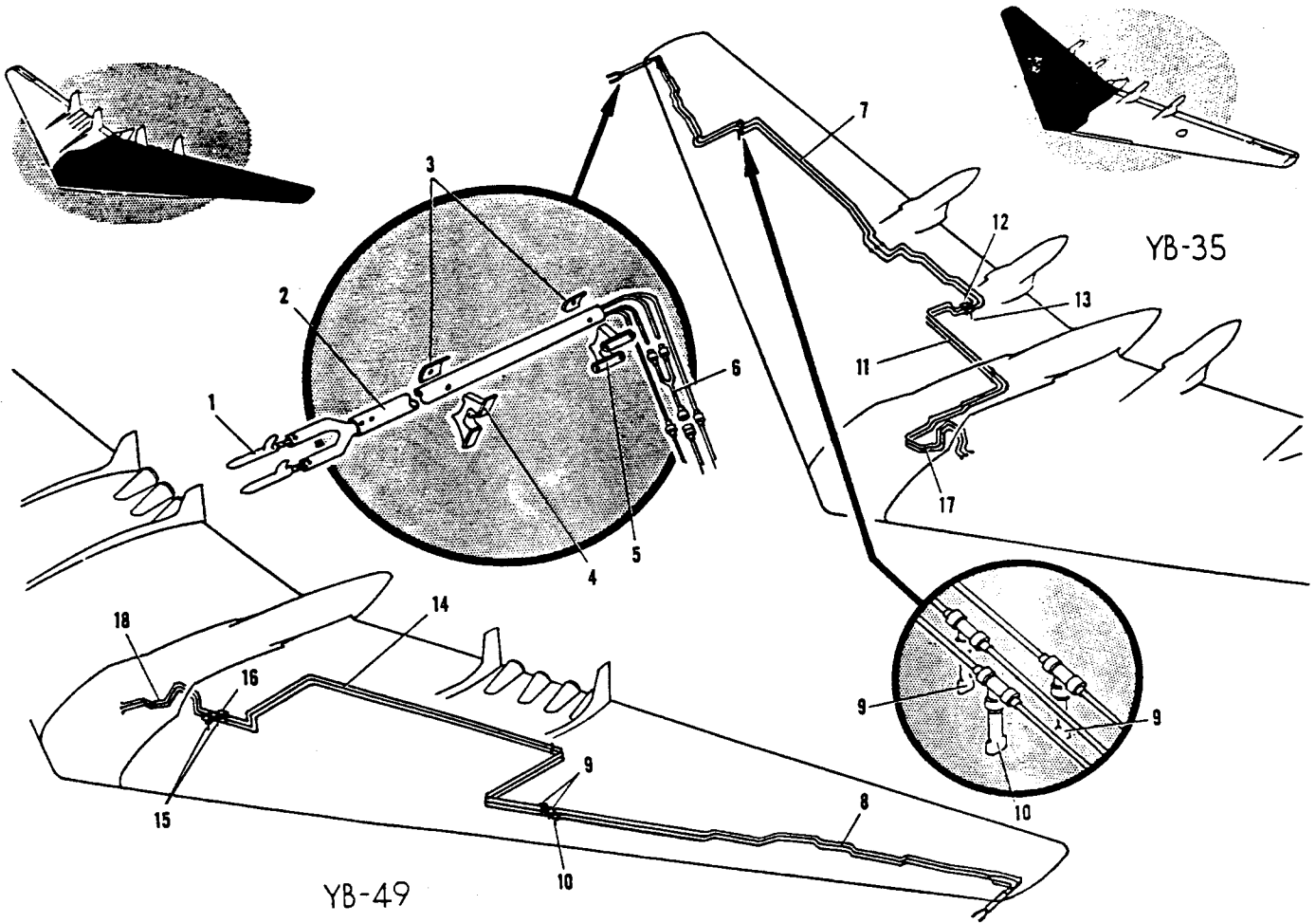


FIGURE 167—PITOT STATIC SYSTEM

PITOT STATIC SYSTEM

FIGURE & INDEX NUMBER	PART NUMBER	1	2	3	4	5	6	7	NOMENCLATURE	UNITS PER ASSEM	USAGE CODE
									Pitot Static System		
	560579								Lines Installation—Outer pitot static system (On RH only) (For next assembly see page 14)	NP	X
	560697								Lines Installation—Outer wing pitot static station (on LH only) (For next assembly see page 14)	NP	DE
167 - 1	AN5816-2								Tube—Electrically heated pitot static type AN-T1A (GFP) (AER 60-9200)	2	ALL
2	560648								Boom Assembly—Pitot static tubes	1	ALL
3	260650								Cap—Pitot static tubes boom	1	ALL
4	560649-2								Support—Pitot static tubes boom	2	ALL
5	560649-1								Support—Pitot static tubes boom	1	ALL
6	460583								Tube Assembly—Outer wing pitot static system	1	ALL
7	560580								Line Assembly—Outer wing pitot static system	AR	X
8	560694								Line Assembly—Outer wing pitot static system	AR	DE
9	460614-2								Drain Assembly—Pitot static system	2	ALL
10	460614-4								Drain Assembly—Pitot static system	1	ALL
	560581								Lines Installation—Center wing pitot static system (on RH only) (For next assembly see page 32)	NP	X
	560696								Lines Installation—Center wing pitot static system (on LH only) (For next assembly see page 32)	NP	DE
11	560582								Line Assembly—Center wing pitot static system	AR	X
12	460614-2								Drain Assembly—Center wing pitot static system	4	X
13	460614-4								Drain Assembly—Center wing pitot static system	2	X
14	560695								Line Assembly—Center wing pitot static system	AR	DE
15	460614-2								Drain Assembly—Center wing pitot static system	2	DE
16	460614-4								Drain Assembly—Center wing pitot static system	1	DE
17	552269								Line Assembly—Crew nacelle instruments (includes pitot lines) (For next assembly see page 141)	AR	X
18	556965								Line Assembly—Crew nacelle instruments (includes pitot lines) (For next assembly see page 141)	AR	DE

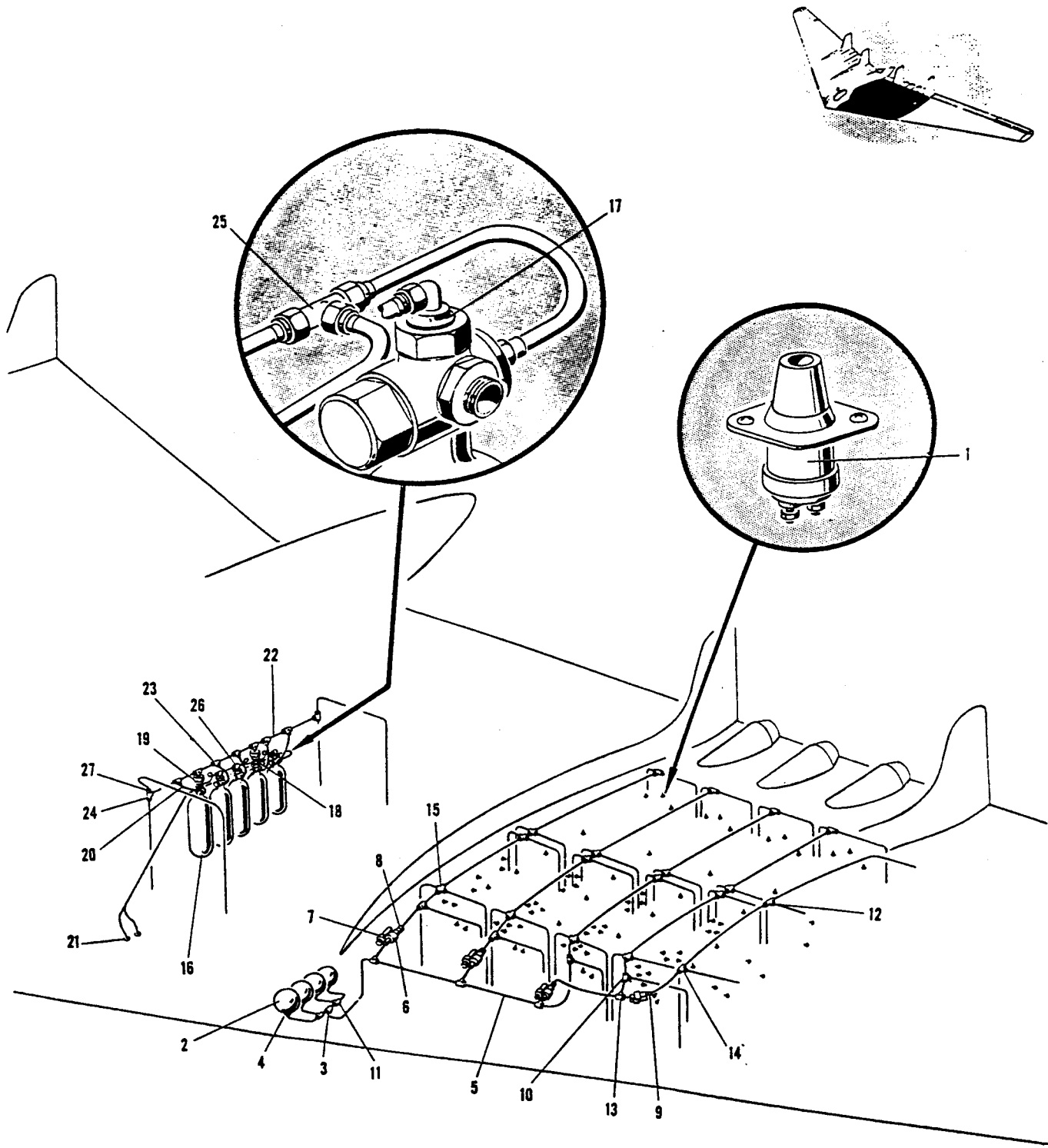


FIGURE 168—YB-49 FIRE EXTINGUISHER SYSTEM
RESTRICTED

FUNCTIONAL GROUP
YB-49 FIRE EXTINGUISHER SYSTEM

FIGURE & INDEX NUMBER	PART NUMBER	NOMENCLATURE							UNITS PER ASSEM	USAGE CODE
		1	2	3	4	5	6	7		
		YB-49 Fire Extinguisher System								
	559424	Detector Installation—Fire extinguisher LH (For next assembly see page 13)							NP	DE
	559424-1	Detector Installation—Fire extinguisher RH (For next assembly see page 13)							NP	DE
168 - 1	33786-5	Detector—(EDI)							84	DE
		Attaching Parts								
	AN515-6R5	Screw—Round head machine coarse thread							168	DE
	AN935-6L	Washer—Medium spring lock							168	DE
	AN340C6	Nut—Light hexagon coarse thread							168	DE
	556732	System Installation—Methyl bromide fire extinguisher complete LH (For next assembly see page 13)							NP	DE
	556732-1	System Installation—Methyl bromide fire extinguisher complete RH (For next assembly see page 13)							NP	DE
2	82495	Container—(WK)							4	DE
3	67090	Tee—Double check (WK)							1	DE
4	33894	Adapter—(WK)							4	DE
		Attaching Parts								
	AN5-6A	Bolt—Aircraft 5/16-24							16	DE
	AN960-516	Washer—Plain							32	DE
	AN365-524	Nut—Self locking							16	DE
5	557423	Lines Assembly—Methyl bromide fire extinguisher system							AR	DE
6	982311	Valve—(WK)							4	DE
7	66129	Solenoid—(WK)							4	DE
8	257584	Adapter—Methyl bromide system AN type tube fitting 1.00 OD to .50 OD							2	DE
9	257583	Adapter—Methyl bromide system AN type tube fitting 1.00 OD to .75 OD							2	DE
	AN4-33A	Bolt—Aircraft 1/4-28							12	DE
	AN960D416	Washer—Plain							12	DE
10	AN926-8	Tee—Internal screw thread							1	DE
11	AN824-16	Tee—Flared tube pipe							2	DE
12	AN926-10	Tee—Internal screw thread							1	DE
13	AN926-16	Tee—Internal screw thread							1	DE
14	AN926-12	Tee—Internal screw thread							1	DE
15	AN925-8	Cross—Internal screw thread							12	DE
	AN815-8	Union—Flared tube							14	DE
	AN815-16	Union—Flared tube							2	DE
	AN832-8	Union—Flared tube 3/8 bulkhead and universal							7	DE
	AN832-16	Union—Flared tube 3/8 bulkhead and universal							2	DE
	AN832-10	Union—Flared tube 3/8 bulkhead and universal							1	DE
	560762	System Installation—Auxiliary power plant fire extinguisher LH (For next assembly see page 13)							NP	DE
	560762-1	System Installation—Auxiliary power plant fire extinguisher RH (For next assembly see page 13)							NP	DE
16	930423	Cylinder and Flood Valve Assembly—(WK)							5	DE
17	966679	Head—Control (WK)							3	DE
18	966090	Control—Connector (WK)							2	DE
19	966129	Solenoid—(WK)							2	DE
20	966116	Hose—Flexible (WK)							5	DE
21	922315	Indicator—(WK)							2	DE
22	560764	Line Assembly—LH							AR	DE
	560765	Line Assembly—RH							AR	DE
23	AN926-16	Tee—Internal screw thread							5	DE
24	AN926-20	Tee—Internal screw thread							2	DE
25	AN824-4D	Tee—Flared tube pipe							3	DE
26	AN825-4	Tee—Flared tube pipe							2	DE
27	AN815-20	Union—Flared tube							2	DE
	AN815-16	Union—Flared tube							10	DE
	AN822-4	Elbow—Flared tube pipe thread							1	DE
	AN816-4	Nipple—Flared tube and pipe thread							3	DE

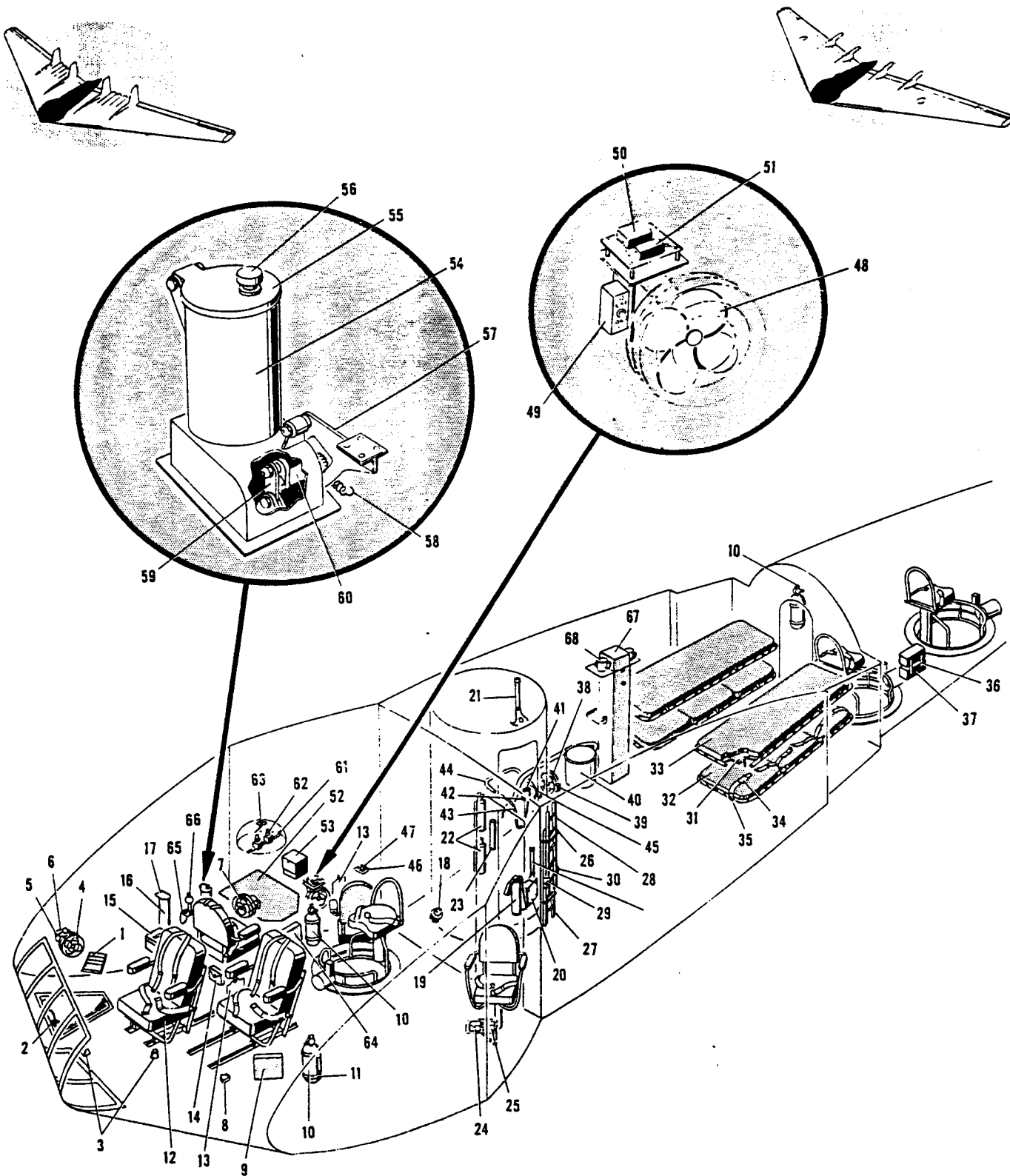


FIGURE 169—FURNISHINGS

RESTRICTED

EQUIPMENT GROUP
FURNISHINGS

FIGURE & INDEX NUMBER	PART NUMBER	NOMENCLATURE							UNITS PER ASSEM	USAGE CODE	
		1	2	3	4	5	6	7			
	551250	Installations—Furnishings (For next assembly see page 13)							NP	ALL	
169 - 1	R120X	Holder Assembly—(BKH)							1	ALL	
	No Number	Altimeter Scale Correction Card—(GFP) (AER 45-3310) (AAF Form 27A)							1	ALL	
	No Number	Altimeter Static Correction Card—(GFP) (AER 45-3311) (AAF Form 27B)							1	ALL	
	No Number	Airspeed Correction Card—(GFP) (AER 45-3312) (AAF Form 27C)							1	ALL	
	No Number	Thermometer and Temperature Compression Correction Card—(GFP) (AER 45-3318) (AAF Form 27D)							1	ALL	
	556734	Wiper Installation—Bombardier's wind-shield							NP	ALL	
	2	K15954E	Electric Windshield Wiper Assembly—Model 39V1E (MQ)							1	ALL
	Attaching Parts										
		AN3-6A	Bolt—Aircraft (#10-32)							4	ALL
		AN365-1032	Nut—Self locking							10	ALL
	AN960D10	Washer—Plain							4	ALL	
	NAS205-18	Screws—100° flush head, Phillips recess, bronze and alloy steel, 10-32							2	ALL	
	AN502-10-6	Screw—Drilled filler head machine (fine)							2	ALL	
	AN3-14A	Bolt—Aircraft (#10-32)							2	ALL	
	AN960C10L	Washer—Plain							2	ALL	
3	R121X	Holder Assembly—(BKH)							2	ALL	
	559412	Fan Installation—Forward cabin ventilating							NP	T	
4	559412-2	Fan Assembly—Forward cabin ventilating							1	T	
	560882	Fan Installation—Forward cabin ventilating							NP	U	
	560882-4	Fan Assembly—Forward cabin ventilating							1	U	
Attaching Parts											
5	AN4-10A	Bolt—Aircraft (1/4-28)							1	T	
6	NAS206-16	Screws—100° flush head, Phillips recess, bronze and alloy steel, 1/4-28							2	T	
	AN4-5A	Bolt—Aircraft (1/4-28)							3	U	
	AN365-428	Nut—Self locking							3	ALL	
	AN960D416	Washer—Plain							3	ALL	
7	A3106	Fan—(WESTERN DESIGN AND MANUFACTURING COMPANY, Los Angeles, Calif.)							1	ALL	
	559414	Fan Installation—Pilot's bubble ventilating							NP	ALL	
	559416	Fan Assembly—Cabin ventilation							1	ALL	
Attaching Parts											
	NAS205-14	Screws—100° flush head, Phillips recess, bronze and alloy steel, 10-32							4	ALL	
	AN365-1032	Nut—Self locking							4	ALL	
	AN960D10	Washer—Plain							4	ALL	
	3400	Fan and Motor—(SW)							1	ALL	
	AN3022-2	Switch—Three hole mounting, single pole toggle							1	ALL	
	JX51	Noise Filter—Radio (SPR)							1	ALL	
	JX55F	Noise Filter—Radio (SPR)							1	ALL	
8	1473	Ash Receiver Assembly—(SI)							5	ALL	
9	46G2873	Data Case (GFP) (AER 45-3360)							2	ALL	
10	44D22201	Oxygen Cylinder—(GFP) (AER 46-730)							*9	ALL	
11	44B24627	Bracket Assembly—(GFP)							*9	ALL	
Attaching Parts											
	AN520-10-8	Screw—Round head machine (fine thread)							12	ALL	
	AN960A10L	Washer—Plain							16	ALL	
	AN530-10-8	Screw—Round head sheet metal							4	ALL	
	NAS221-8	Screws—Brazier head, Phillips recess, bronze and alloy steel, 10-32							12	U	
	NAS221-22	Screws—Brazier head, Phillips recess, bronze and alloy steel, 10-32							8	U	
	AN365-1032	Nut—Self locking							20	U	
12	551830	Seat Installation—Complete (For detail breakdown see page 303)							NP	ALL	
13	39D3922	Check List Holder—(GFP) (AER 45-7200)							2	ALL	
14	0161366	Flight Report Holder—(GFP) (AER 45-7300)							1	ALL	
	No Number	Flight Report—(GFP) (AER 45-6900) (Form #1A)							1	ALL	
15	No Number	Lamp Assembly—Type C-34 (Spec. 94-32288) (GFP) (AER 42-3600)							1	ALL	
16	560247	Container Assembly—Chart and Map							1	ALL	
Attaching Parts											
	AN3-7A	Bolt—Aircraft (#10-32)							2	ALL	
	AN960-10	Washer—Plain							4	ALL	
	NAS43-3-4	Spacers—Screw and bolt							2	ALL	
	NAS43-3-8	Spacers—Screw and bolt							1	ALL	
17	560246	Cover Assembly—Chart and map container							1	ALL	
	P9063526	Spare Parts Kit—(GFP)							1	C	
Attaching Parts											
	AN530-10-12	Screw—Round head sheet metal							2	C	
	AN960D10	Washer—Plain							2	C	
	AN935-10L	Washer—Medium spring lock							2	C	
	559516	Mount Installation—Type AN-M8 pyrotechnic pistol firing							NP	ALL	
	559516-6	Mount Assembly—Type AN-M8 pyrotechnic pistol firing							1	ALL	
Attaching Parts											
	NAS206-17	Screws—100° flush head, Phillips recess, bronze and alloy steel, 1/4-28							8	ALL	
	AN365-428	Nut—Self locking							8	ALL	
	AN960D416	Washer—Plain							8	ALL	

*9 required on YB-35A and 4 required on YB-35 and YB-49 airplanes.

EQUIPMENT GROUP
FURNISHINGS

FIGURE & INDEX NUMBER	PART NUMBER	NOMENCLATURE							UNITS PER ASSEM	USAGE CODE
		1	2	3	4	5	6	7		
169 - 18	H42B10666								1	ALL
19	42G15980								2	ALL
		Attaching Parts								
	AN520-10-10								5	ALL
	NAS70A209-438								10	ALL
	AN935-10L								5	ALL
	AN530-10R10								5	ALL
	A1779-10Z3								5	ALL
20	42D7411								1	ALL
21	42D8331								2	ALL
22	ST1303								2	ALL
23	1821								2	ALL
24	42H11969								5	ALL
25	42G7044								5	ALL
26	1408								2	ALL
	554176								1	ALL
27	554176-2								1	ALL
28	554176-4								1	ALL
29	554176-5								1	ALL
30	554176-7								1	ALL
31	559693								*4	ALL
32	559629								*6	ALL
33	559628								*2	ALL
34	M264-40GES								*6	ALL
35	M2029								*12	ALL
	560242								NP	ALL
36	560242-2								1	ALL
37	P9063526								2	ALL
		Attaching Parts								
	NAS221-8								4	X
	559413								NP	ALL
	559413-2								1	ALL
		Attaching Parts								
	AN4-10A								4	ALL
	AN365-428								4	ALL
	AN960D416								4	ALL
38	A3106								1	ALL
39	AN3022-2								1	ALL
	551277								NP	D-P
	561290								NP	QR
40	1222								1	ALL
41	WM203								1	ALL
42	AN8021-1								1	ALL
43	551277-2								1	ALL
44	456726								1	ALL
45	256675								1	ALL
46	456233								1	ALL
17	4116782								1	ALL
	559415								NP	ALL
	559416								1	ALL
		Attaching Parts								
	NAS205-10								4	ALL
	AN365-1032								4	ALL
	AN960D10								4	ALL
48	3400								1	ALL
49	AN3022-2								1	ALL
50	JX51								1	ALL
51	JX55F								1	ALL
	550620								NP	ALL
52	554639								1	ALL
53	560229								1	T
	561257								1	U
		Attaching Parts								
	NAS221-11								3	T
	NAS221-12								3	T
	NAS221-8								6	T
	AN970-10								6	T
	AN960-10								6	T
	AN960C10L								16	U
	AN365-1032								10	ALL
	AN3-4A								3	U
	AN3-5A								1	U
	550999								NP	ALL
54	550999-28								1	ALL
	550999-38								1	ALL
55	550999-34								1	ALL

*Quantities cut in half on last two airplanes—bunks on LH only.

EQUIPMENT GROUP
FURNISHINGS

FIGURE & INDEX NUMBER	PART NUMBER	NOMENCLATURE							UNITS PER ASSEM	USAGE CODE
		1	2	3	4	5	6	7		
		Attaching Parts								
	AN3-24A	.	.	Bolt—Aircraft (#10-32)					1	ALL
	AN960D10	.	.	Washer—Plain					2	ALL
	AN365-1032	.	.	Nut—Self locking					1	ALL
	259569	.	.	Spring—Upper drift chute door					1	ALL
	AN960C10	.	.	Washer—Plain					2	ALL
169 -	56	259571	.	Valve—Drift flare door					1	ALL
57	459572	.	.	Pedal Assembly—Drift flare					1	ALL
		Attaching Parts								
	159684	.	.	Bolt—Drift meter pedal attaching					1	ALL
	AN960D416	.	.	Washer—Plain					3	ALL
	AN365-428	.	.	Nut—Self locking					1	ALL
	AN316-4R	.	.	Nut—Aircraft check					1	ALL
58	259570	.	.	Spring—Lower drift chute door					1	ALL
59	550999-40	.	.	Linkage Assembly—Pedal drift flare					1	ALL
60	ND12B	.	.	Boston Gear—(GARRETT SUPPLY COMPANY, LOS ANGELES, CALIFORNIA)					1	ALL
	559502	.	.	Support Installation—Astro-compass and sextant					NP	ALL
61	459514	.	.	Support Assembly—Astro-compass					1	ALL
		Attaching Parts								
	259532	.	.	Screw Assembly—Astro-compass support clamp					4	ALL
62	AN5738-2	.	.	Compass—Astro					2	ALL
		Attaching Parts								
	NAS221-10	.	.	Screws—Brazil head, Phillips recess, bronze and alloy steel, 10-32					4	ALL
	AN365-1032	.	.	Nut—Self locking					4	ALL
	AN960C10	.	.	Washer—Plain					6	ALL
	NAS221-21	.	.	Screws—Brazil head, Phillips recess, bronze and alloy steel, 10-32					2	ALL
	AN364-1032	.	.	Nut—Self locking thin					2	ALL
63	42A6954-1	.	.	Bracket Assembly—Sextant					1	ALL
64	559789	.	.	Container Assembly—Drift signal flare forward					1	ALL
	551344	.	.	Drift Meter Installation—Type B-3					NP	ALL
65	551344-2	.	.	Support Assembly—Complete drift meter type B-3					1	ALL
66	559610	.	.	Support Assembly—Drift meter					1	ALL
	AN5763-27	.	.	Meter—Gyro stabilizer drift					1	ALL
		Attaching Parts								
	AN503-10-14	.	.	Screw—Drilled fillister head machine (coarse)					8	ALL
	AN8008D8	.	.	Insulator—Vibration					8	ALL
	559612	.	.	Housing Assembly—Drift meter					1	ALL
	259609	.	.	Collar—Drift meter compensator					1	ALL
	459607	.	.	Ring Assembly—Drift meter compensator					1	ALL
	459608	.	.	Arm Assembly—Drift meter compensator					1	ALL
	556255	.	.	Cushion Assembly—Bombardier's knee rest					1	ALL
	559472	.	.	Pad Assembly—Co-Pilot's station right hand structure					1	ALL
	459482	.	.	Pad Assembly—Co-Pilot's station upper structure					1	ALL
	559580	.	.	Shield Assembly—Pilot's enclosure anti-glare					1	ALL
		Attaching Parts								
	159619	.	.	Hanger—Pilot's enclosure anti-glare shield					4	ALL
	AN742-7C	.	.	Clamp—Loose type support					4	ALL
	AN3-3	.	.	Bolt—Aircraft (#10-32)					4	ALL
	AN365-1032	.	.	Nut—Self locking					4	ALL
	AN960C10	.	.	Washer—Plain					4	ALL
	42G15980	.	.	Fire Extinguisher (GFP)					1	QR
	561309	.	.	Buffet Installation—Food container (AND)					NP	G-P
67	561310	.	.	Buffet Assembly—Food container (AND)					1	G-P
	OB2410	.	.	Latch (CHW)					1	G-P
	8464	.	.	Strap—Web (CHW)					4	G-P
68	STDS-N	.	.	Hot Cup—110 volts (HCO)					2	G-P

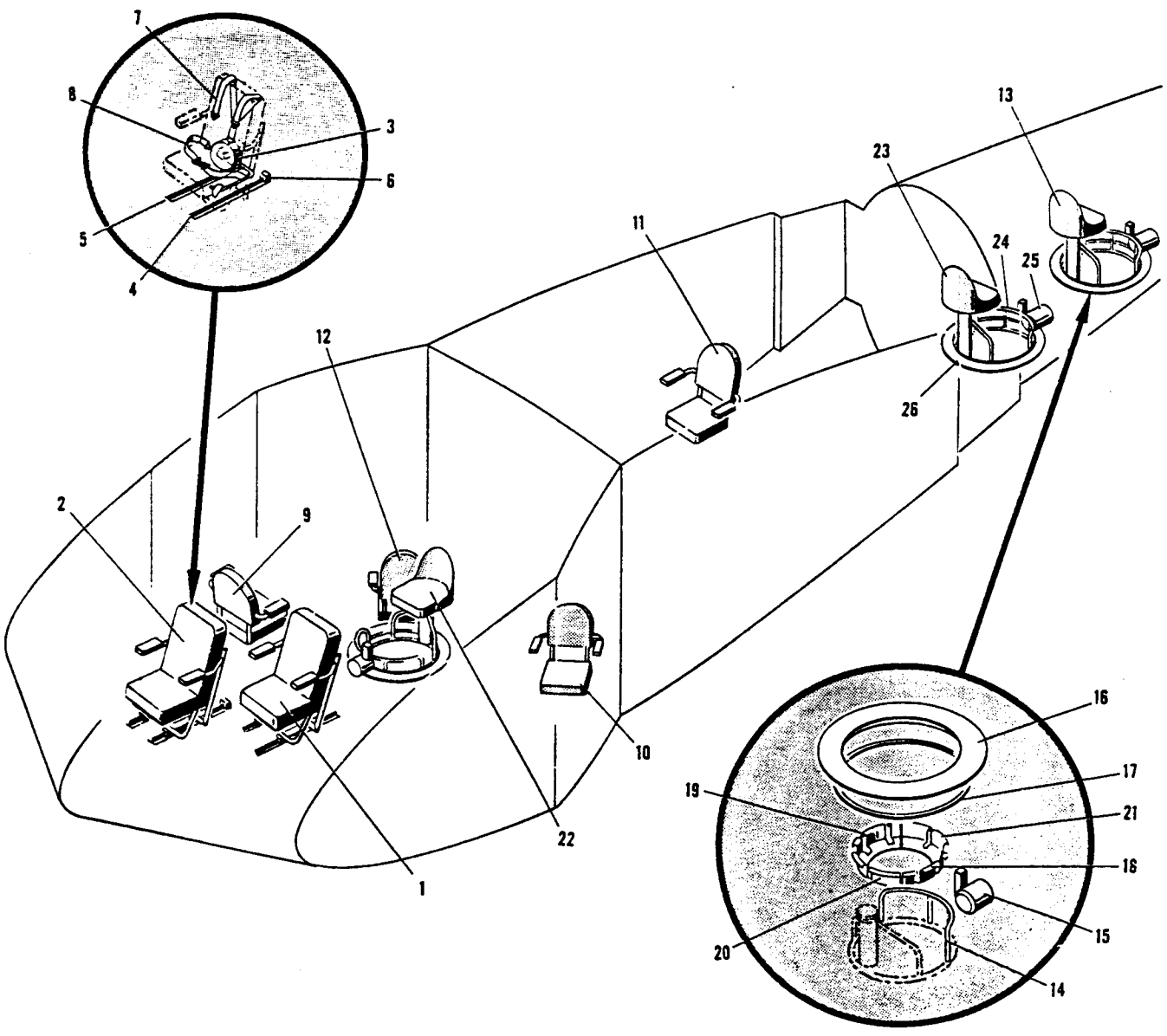
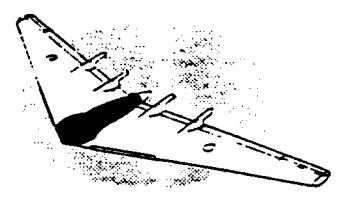
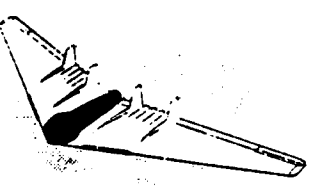


FIGURE 170—SEATS COMPLETE

RESTRICTED

EQUIPMENT GROUP
SEATS COMPLETE

FIGURE & INDEX NUMBER	PART NUMBER	1	2	3	4	5	6	7	NOMENCLATURE	UNITS PER ASSEM	USAGE CODE
	551830-502								Seat Installation—Complete (For next assembly see page 299)	NP	C
	551830-504								Seat Installation—Complete (For next assembly see page 299)	NP	DE
	551830-506								Seat Installation—Complete (For next assembly see page 299)	NP	F-J
	511830-508								Seat Installation—Complete (For next assembly see page 299)	NP	K-P
	551830-510								Seat Installation—Complete (For next assembly see page 299)	NP	QR
170 - 1	556237								Pilot's Seat Assembly—Warren McArthur model #259 modified	1	T
	259AS1								Pilot's Seat—(MWC)	1	T
	0-4042								Inertia Lock Assembly—(ASE)	1	U
	100LP								Pilot's Seat—(BURNS AERO SEAT CO., Glendale, Calif.)	1	U
	0-4042								Inertia Lock Assembly—(ASE)	1	T
2	556238								Co-Pilot's Seat Assembly—Warren McArthur model #258 modified	1	T
	258AS1								Co-Pilot's Seat—(MWC)	1	T
3	0-4042								Inertia Lock Assembly—(ASE)	1	U
	100LCP								Co-Pilot's Seat—(BURNS SEAT CO., Glendale, Calif.)	1	U
	0-4042								Inertia Lock Assembly—(ASE)	1	ALL
4	451829								Track—Co-Pilot's seat left hand	1	ALL
5	451829-1								Track—Co-Pilot's seat right hand	1	ALL
6	152224								Block—Seat track stop	16	ALL
									Attaching Parts		
	AN3-13A								Bolt—Aircraft (#10-32)	8	ALL
	AN365-1032								Nut—Self locking	8	ALL
	AN960A10L								Washer—Plain	16	ALL
7	44G5443								Shoulder Strap—(GFP) (AER 45-1710)	2	ALL
									Attaching Parts		
	AN3-7								Bolt—Aircraft (#10-32)	1	ALL
	AN310-3								Nut—Aircraft castle	1	ALL
	AN960A10L								Washer—Plain	2	ALL
8	44G5437								Safety Belt—(GFP) (AER 45-1705)	9	ALL
									Attaching Parts		
	AN24-14								Bolt—Clevis (1/4-28)	2	ALL
	AN320-4								Nut—Aircraft shear	2	ALL
	AN940-416								Washer—Burr	2	ALL
9	97:0:50								Crew Seat Assembly—Navigator's (AIRCRAFT MECHANICS, INC., Colorado Springs, Colo.)	1	ALL
10	97:0:50								Crew Seat Assembly—Radio operator's (AIRCRAFT MECHANICS, INC., Colorado Springs, Colo.)	1	ALL
11	97:0:50								Crew Seat Assembly—Radar operator's (AIRCRAFT MECHANICS, INC., Colorado Springs, Colo.)	1	QR
12	97:0:50								Crew Seat Assembly—Flight engineer's (AIRCRAFT MECHANICS, INC., Colorado Springs, Colo.)	1	ALL
13	560678								Gunner's Seat Assembly—Warren McArthur model #306 aft	1	C
14	560656								Support Assembly—Aft gunner's electrical seat drive	1	C
15	WW9019230G1								Seat Drive—(GFP)	1	C
16	553748								Ring Assembly—Rotatable sighting station seat retainer	1	C
17	455826								Shim—Forward sighting station seat retainer ring	1	C
									Attaching Parts		
	AN525-10-22								Screw—Washer head	28	C
	AN365-1032								Nut—Self locking	28	C
	AN960C10L								Washer—Plain	28	C
18	560968-2								Dust Shield—Sighting station aft left hand	1	C
19	560968-3								Dust Shield—Sighting station aft right hand	1	C
20	560968-4								Dust Shield—Sighting station aft left hand	1	C
21	560968-5								Dust Shield—Sighting station aft right hand	1	C
22	560678								Gunner's Seat Assembly—Warren McArthur model #306 forward	1	C
	560657								Support Assembly—Forward gunner's electrical seat drive forward	1	C
	WW9019224G1								Seat Drive—(GFP)	1	C
	553748								Ring Assembly—Rotatable sighting station seat retainer	1	C
	455826								Shim—Forward sighting station seat retainer ring	1	C
									Attaching Parts		
	AN525-10-22								Screw—Washer head	28	C
	AN365-1032								Nut—Self locking	28	C
	AN960C10L								Washer—Plain	28	C
	560968-2								Dust Shield—Left hand sighting station forward	1	C
	560968-3								Dust Shield—Left hand sighting station forward	1	C
	560968-4								Dust Shield—Left hand sighting station forward	1	C
	560968-5								Dust Shield—Right hand sighting station forward	1	C
23	560678-500								Gunner's Seat Assembly—Warren McArthur model #306 lower	1	C
24	560657-500								Support Assembly—Lower gunner's electrical seat drive forward	1	C
25	WW9019223G1								Seat Drive—(GFP)	1	C
26	560967								Ring Assembly—Lower sighting station	1	C
	560969-2								Dust Shield—Lower sighting station left hand	1	C
	560969-3								Dust Shield—Lower sighting station right hand	1	C
	560969-4								Dust Shield—Lower sighting station left hand	1	C
	560969-5								Dust Shield—Lower sighting station right hand	1	C

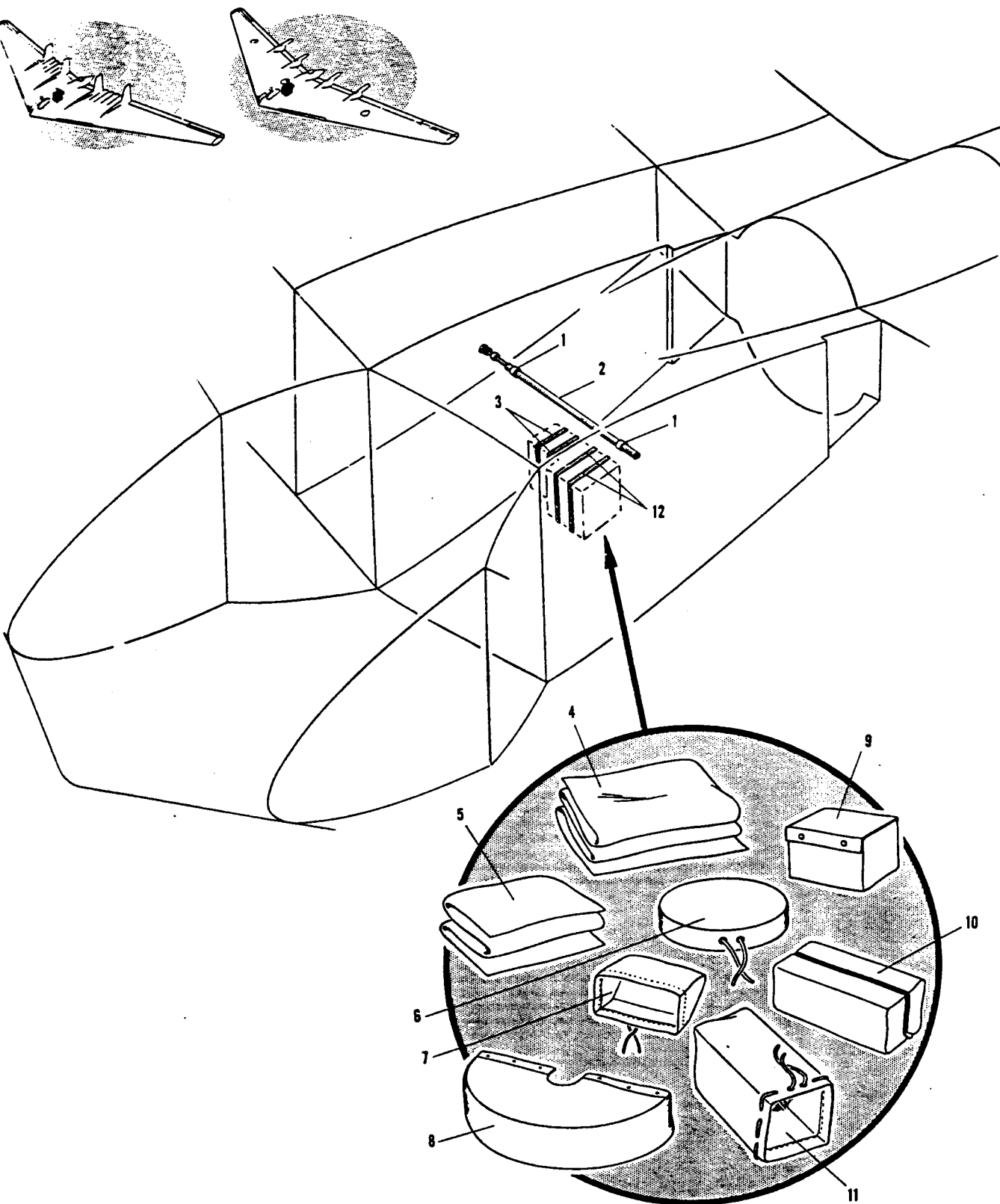
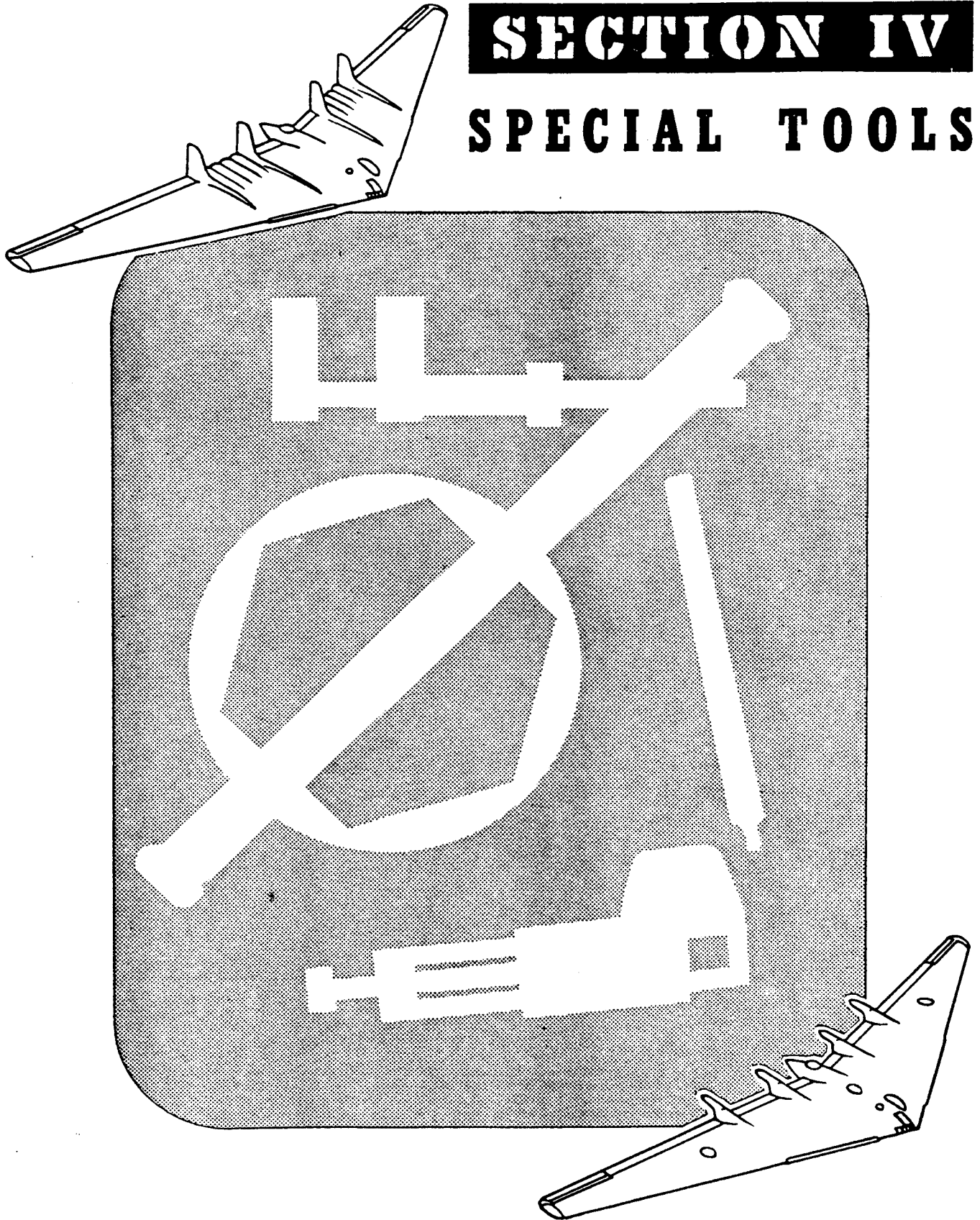


FIGURE 171—LOOSE EQUIPMENT

SECTION IV

SPECIAL TOOLS



SPECIAL TOOLS

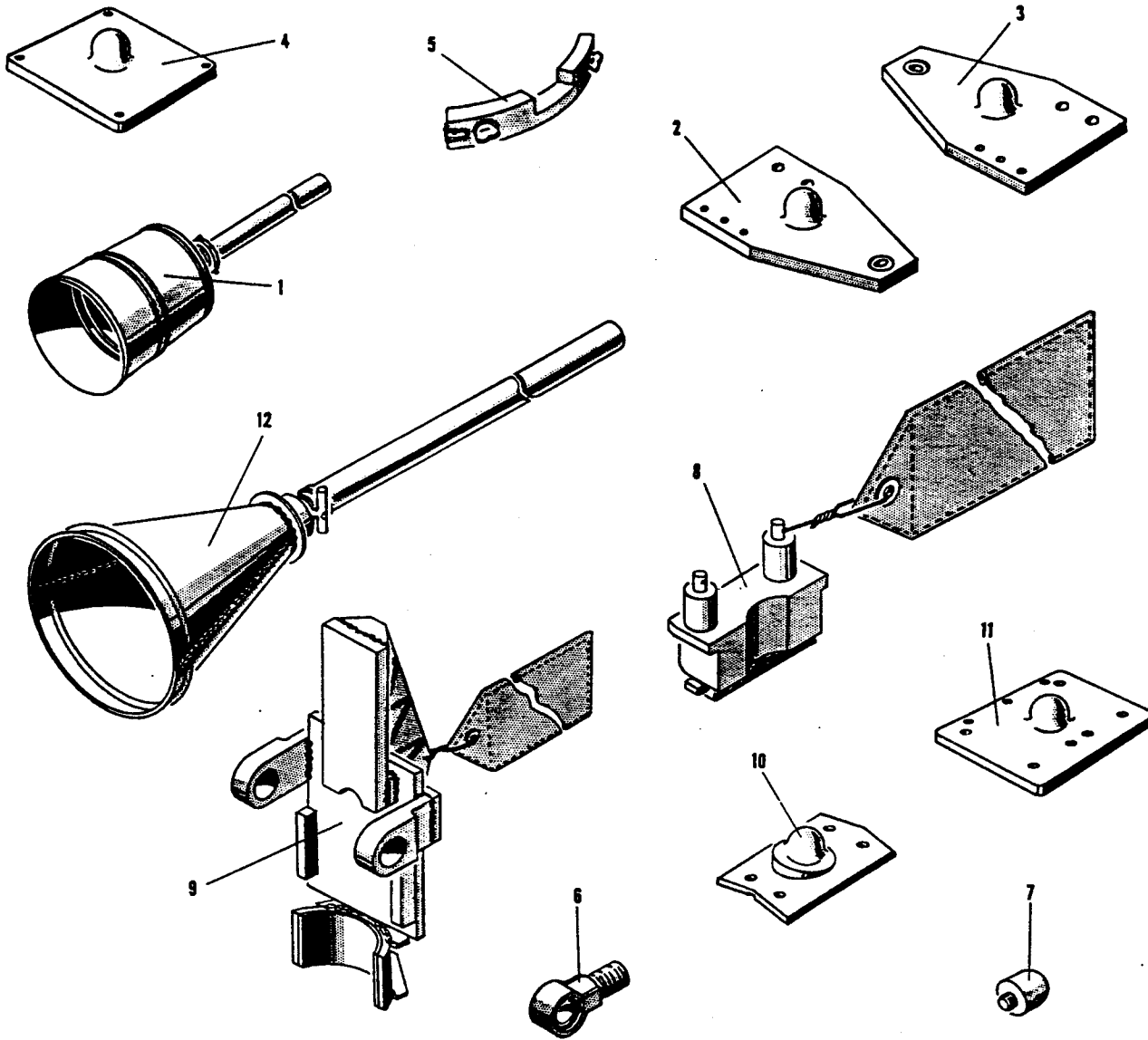


FIGURE 186—FLY-AWAY EQUIPMENT

FLY-AWAY EQUIPMENT

FIGURE & INDEX NUMBER	PART NUMBER	1	2	3	4	5	6	7	NOMENCLATURE	UNITS PER ASSEM	USAGE CODE
186 - 1	256344								Fly-Away Equipment.....	1	ALL
2	457416								• Filler Assembly—Hydraulic reservoir.....	1	DE
3	457416-1								• Pad—Center wing LH (B-49).....	1	DE
4	457633								• Pad—Center wing RH (B-49).....	2	DE
5	460021								• Pad—Jack center wing sta 321.0 (B-49).....	1	ALL
6	260183								• Lock Assembly—Control handle landing gear safety.....	2	ALL
7	160405								• Eye—Mooring wing leading edge spar.....	2	DE
8	560883								• Pad—Jack outer wing sta 766 limit load (B-49).....	2	ALL
9	560884								• Lock—Main landing gear safety (Ref. N-310).....	2	ALL
10	481367								• Lock—Nose landing gear safety (Ref. N-311).....	2	ALL
11	495696								• Pad—Jack sta 98 at wing sta 0.....	2	ALL
12	461245								• Pad—Jack center wing.....	1	DE
									• Funnel Assembly—Oil tank filler.....	1	DE

RESTRICTED
AN 01-15EAA-4
SPECIAL TOOLS

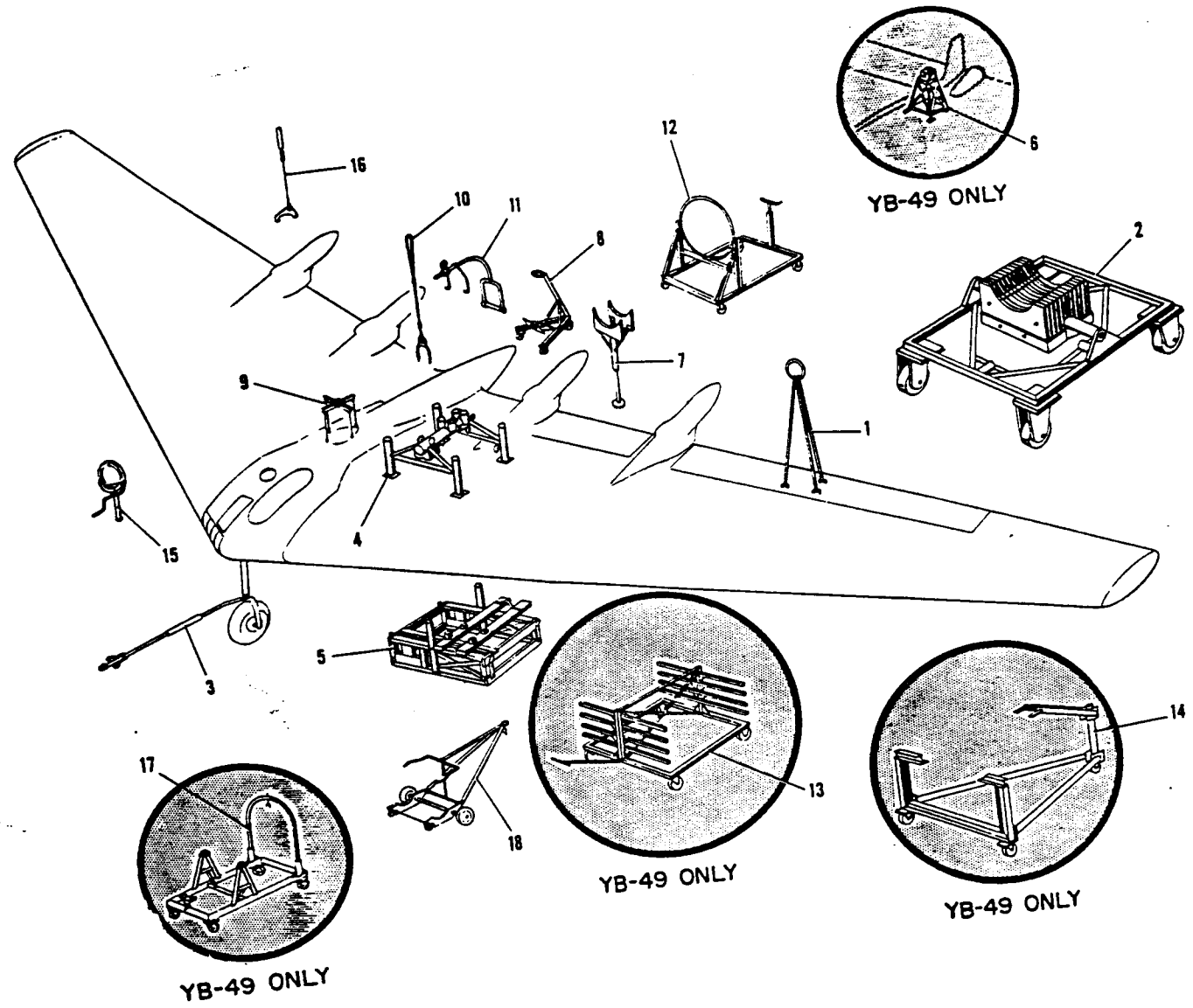
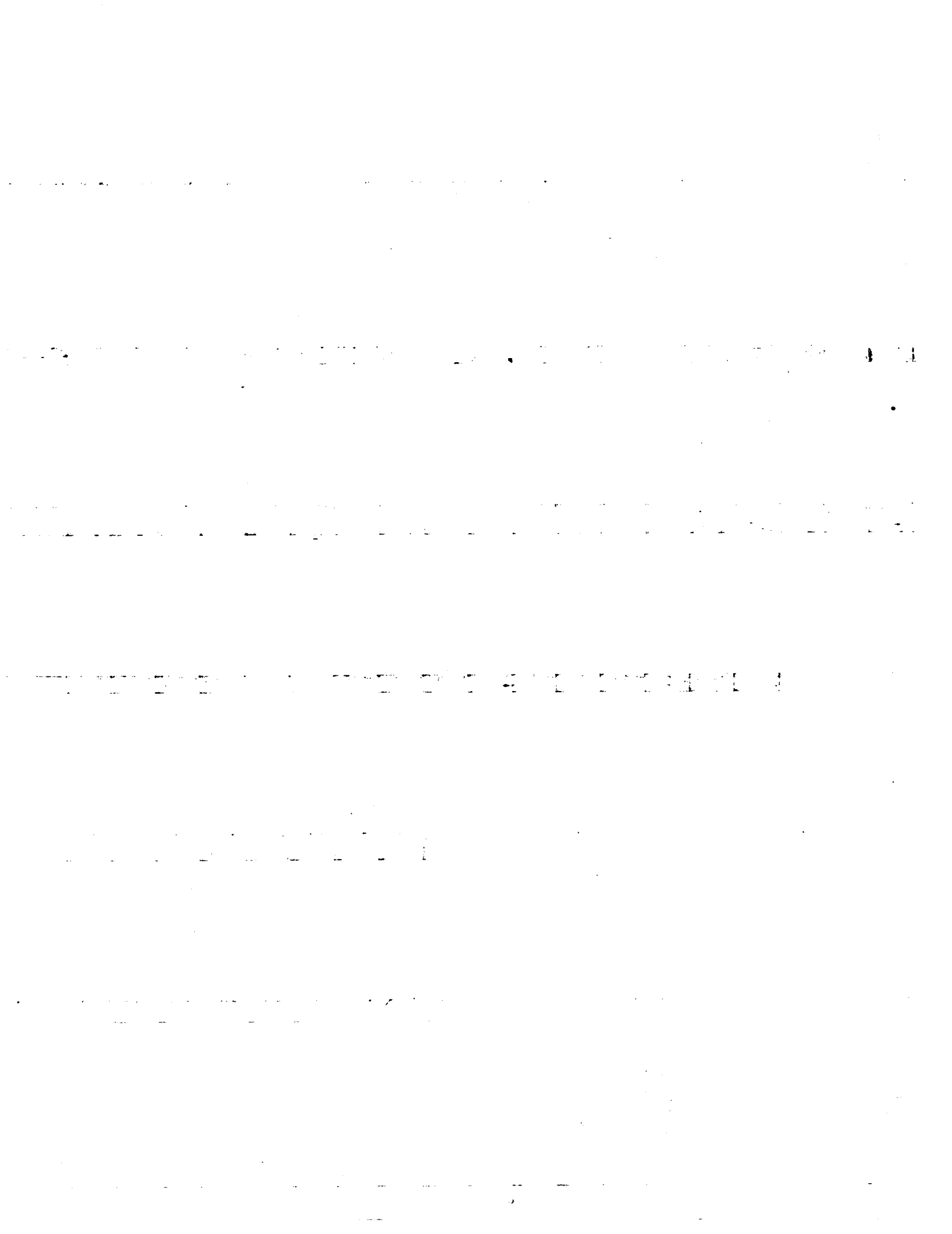


FIGURE 187—GROUND HANDLING EQUIPMENT

FIGURE & INDEX NUMBER	PART NUMBER	NOMENCLATURE							UNITS PER ASSEM
		1	2	3	4	5	6	7	
187 - 1	N-307	Ground Handling Equipment							1
2	N-314	Sling Assembly—Elevon, flap and rudder							1
3	N-315	Dolly Assembly—Main landing gear transportation							1
4	N-331	Bar Assembly—Towing and steering							1
5	N-332	Hoist Assembly—Engine (YB-35)							1
6	N-344	Cradle Assembly—Engine hoist transportation (YB-35)							1
7	N-345	Hoist Installation—Engine (YB-49)							1
8	N-348	Support Assembly—Aft crew nacelle safety							1
9	N-355	Dolly Assembly—Rear sighting station							1
10	N-356	Sling Assembly—Turret upper and lower cabin							1
11	N-357	Sling Assembly—Rear sight hoist							1
12	N-358	Hoist Assembly—Tail turret							1
13	N-359	Dolly Assembly—Tail turret transportation							1
14	N-360	Rack Assembly—Jet bay doors stowage							1
15	N-361	Stand Assembly—Mobile engine							1
16	N-362	Hoist Assembly—Turbo supercharger							1
17	N-364	Sling Assembly—Single rotation gear box hoisting							1
18	N-365	Stand Assembly—J-35A engine (YB-49)							1
		Dolly Assembly—Landing gear wheel handling							1



RESTRICTED
AN 01-15EAA-4
SPECIAL TOOLS

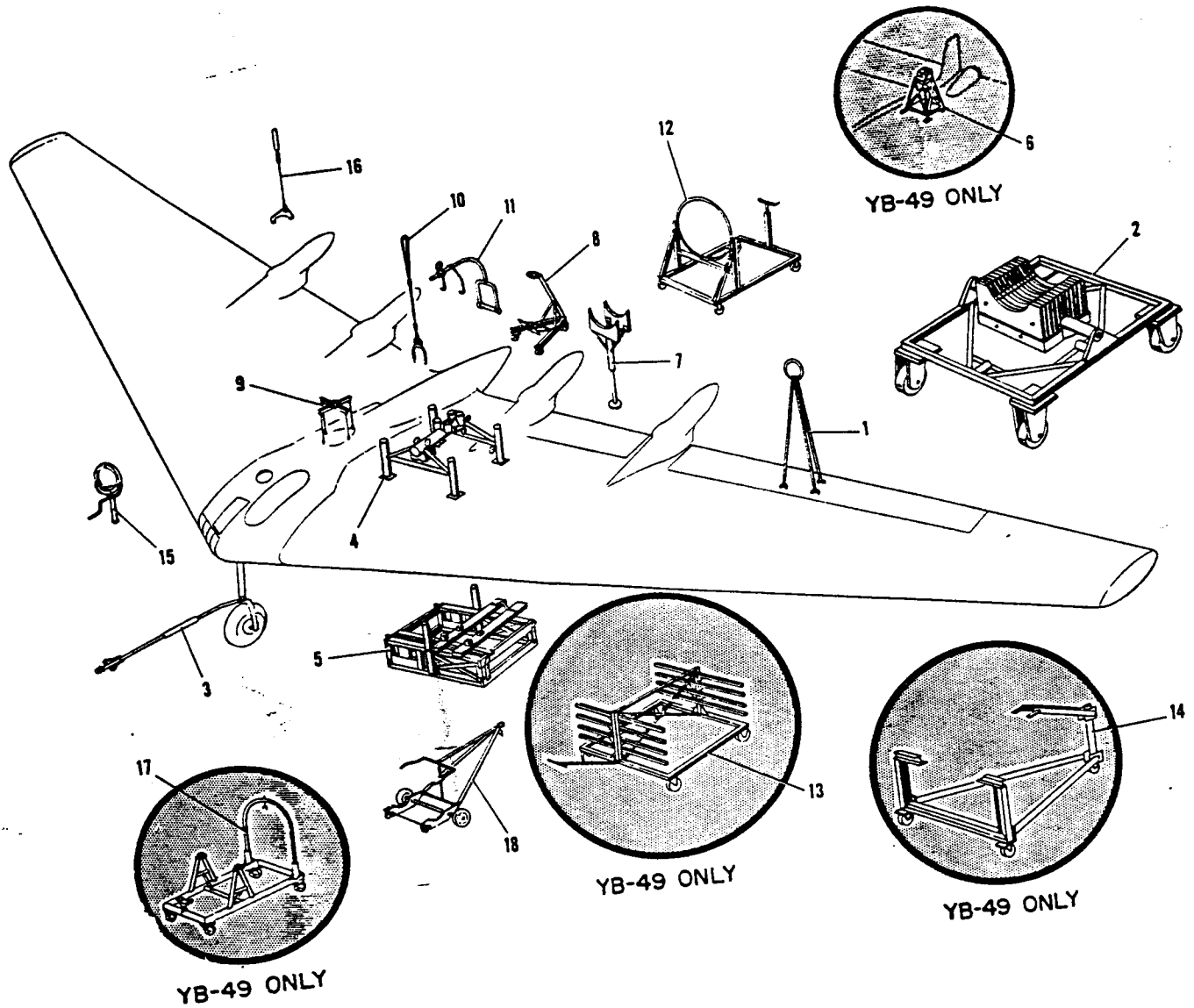


FIGURE 187—GROUND HANDLING EQUIPMENT

FIGURE & INDEX NUMBER	PART NUMBER	NOMENCLATURE							UNITS PER ASSEM
		1	2	3	4	5	6	7	
187 - 1	N-307	Ground Handling Equipment							1
2	N-314	Sling Assembly—Elevon, flap and rudder							1
3	N-315	Dolly Assembly—Main landing gear transportation							1
4	N-331	Bar Assembly—Towing and steering							1
5	N-332	Hoist Assembly—Engine (YB-35)							1
6	N-344	Cradle Assembly—Engine hoist transportation (YB-35)							1
7	N-345	Hoist Installation—Engine (YB-49)							1
8	N-348	Support Assembly—Aft crew nacelle safety							1
9	N-355	Dolly Assembly—Rear sighting station							1
10	N-356	Sling Assembly—Turret upper and lower cabin							1
11	N-357	Sling Assembly—Rear sight hoist							1
12	N-358	Hoist Assembly—Rear sight hoist							1
13	N-359	Dolly Assembly—Tail turret transportation							1
14	N-360	Rack Assembly—Jet bay doors stowage							1
15	N-361	Stand Assembly—Mobile engine							1
16	N-362	Stand Assembly—Turbo supercharger							1
17	N-364	Hoist Assembly—Single rotation gear box hoisting							1
18	N-365	Sling Assembly—J-35A engine (YB-49)							1
		Stand Assembly—Landing gear wheel handling							1
		Dolly Assembly—Landing gear wheel handling							1

SPECIAL TOOLS

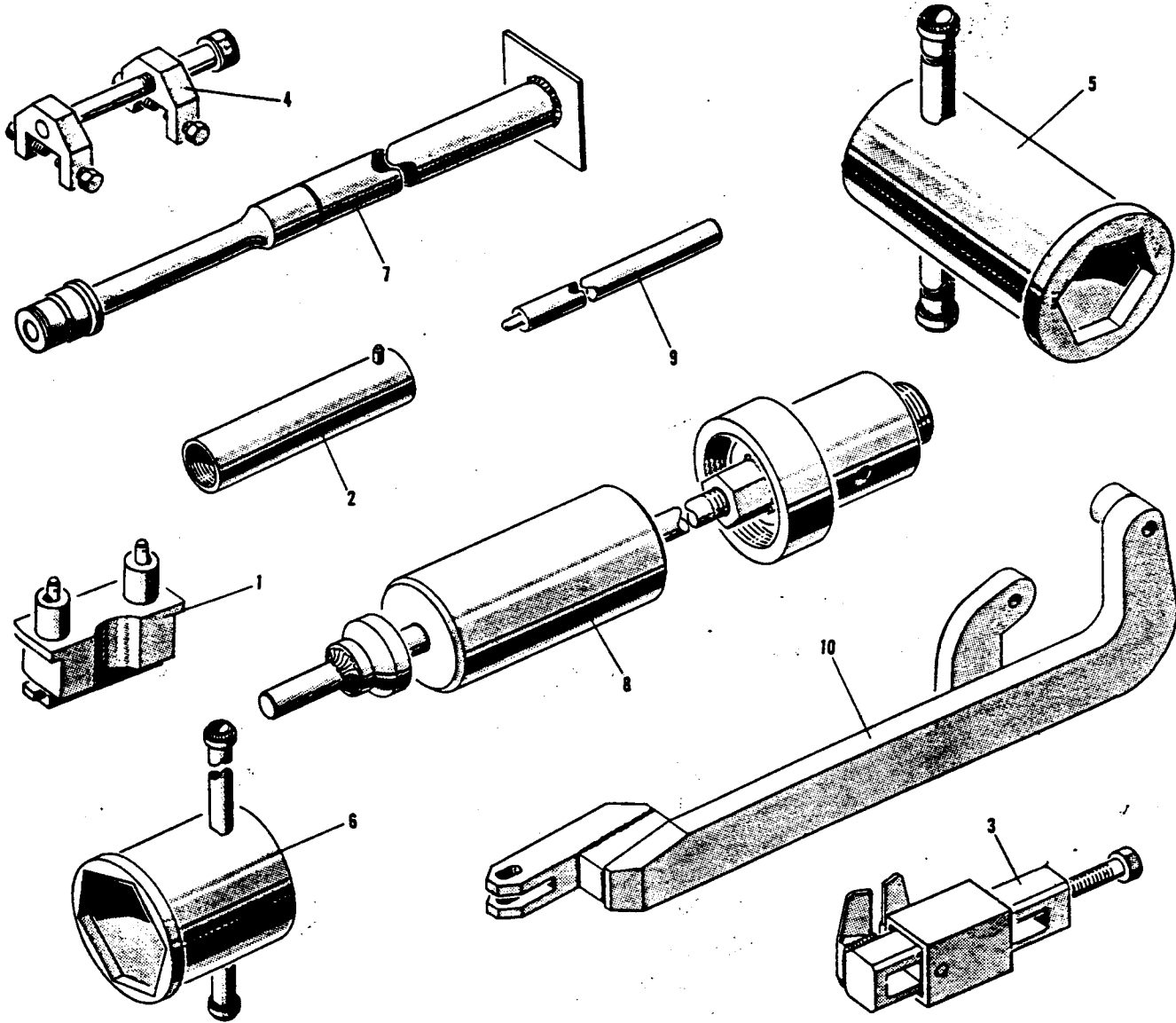


FIGURE 188—SPECIAL TOOLS

SPECIAL TOOLS

FIGURE & INDEX NUMBER	PART NUMBER	NOMENCLATURE	UNITS PER ASSEM	USAGE CODE
		1 2 3 4 5 6 7		
		Special Tools		
188 - 1	N-310-2	Plug—Actuator ball retainer (Actuator No. 89012)	1	ALL
	N-319-4	Plug—Actuator ball retainer (Actuator No. EX-88012)	1	ALL
	N-319-6	Plug—Actuator ball retainer (Actuator No. 87042)	1	ALL
	N-319-8	Plug—Actuator ball retainer (Actuator No. EX-87032)	1	ALL
2	N-319-10	Plug—Actuator ball retainer (Actuator X116113)	1	ALL
3	N-320	Clamp Assembly—Exhaust pipe connector installation	1	ALL
4	N-336	Clamp Assembly—Exhaust shroud installation	1	ALL
5	N-323	Socket—Wrench nose landing gear retaining out	1	ALL
6	N-324	Socket—Wrench main landing gear retaining out	1	ALL
7	N-325	Crowbar Assembly—Inboard engine door	1	ALL
8	N-408	Puller Assembly—Main landing gear drag brace pin	1	ALL
9	N-329	Pin—Fuel and oil tank	1	ALL
10	N-330	Jig Installation—Rudder control valve operator mechanism instrument LH	1	ALL
	N-330-1	Jig Installation—Rudder control valve operator mechanism instrument RH	1	ALL

RESTRICTED
AN 01-15EAA-4

Section II
Group Assembly Parts List

EQUIPMENT GROUP
LOOSE EQUIPMENT

NOMENCLATURE

FIGURE &
INDEX
NUMBER

PART NUMBER

UNITS
PER
ASSEM

USAGE
CODE

NP

ALL

CDM

CDM

CDM

CDM

X

X

X

X

X

X

X

X

X

X

X

X

X

X

X

X

X

X

X

X

X

X

X

X

X

X

X

X

X

X

X

X

X

X

X

X

X

X

X

X

X

X

X

X

X

X

X

X

X

X

X

X

X

X

X

X

X

X

X

X

X

X

X

X

X

X

X

X

X

X

X

X

X

X

X

X

171 - 1
2

3
4
5
6
7
8
9
10
11

FIGURE & INDEX NUMBER	PART NUMBER	1	2	3	4	5	6	7	UNITS PER ASSEM	USAGE CODE
	551080								1	ALL
	260661								1	CDM
	260660-4								1	CDM
	260660-2								1	CDM
	260660-8								2	X
	260660-6								1	X
	1406								2	X
	558668-2								4	X
	551080-2								4	X
	NAS205-16								1	X
	AN365-1032								1	X
	AN960D10								1	X
	557027-2								1	X
	557027-3								1	X
	557027-4								1	X
	557027-5								1	X
	557028-2								1	DE
	557028-3								4	DE
	557028-4								4	ALL
	557028-5								18	ALL
	558953								1	ALL
	558953-1								1	X
	#10								8	X
	558996								8	X
	558995-500								10	ALL
	556007								1	ALL
	556008								2	ALL
	558741								1	ALL
	460026								1	ALL
	459955								1	ALL
	458928								1	ALL
	558841								*6	ALL
	458927								2	DE
	481367								1	DE
	495696								1	DE
	457633								4	ALL
	457416								1	ALL
	457416-1								1	ALL
	265344								**15	ALL
	AN28-18								***8	ALL
	AN14-56								8	X
	AN6-20A								2	X
	AN6-16A								6	DE
	AN6-15A								2	DE
	AN6-14A								6	DE
	AN8-12A								3	ALL
	AN4-15A								6	DE
	AN44-4A								6	DE
	AN365-428								4	ALL
	AN365-624								6	ALL
	AN960C416								6	ALL
	AN960C616								4	ALL
	AN960C816								6	ALL
	160405								6	ALL
	FIL10								***52	DE
	FIL20								2	DE
	FIL30								2	DE
	FIL40								18	ALL
	FIL50								18	ALL
	FIL60								18	ALL
	AN3121-313								18	ALL
	AN3136-323								18	ALL
	260183								20	ALL
	#5535								20	ALL
	#10								2	U
									1	ALL
									2	ALL

Only two required for YB-49 airplanes.
Only eight required for YB-35 and YB-35A airplanes.
Only four required for YB-49 airplanes.
Twenty-four required for YB-35 and YB-35A airplanes.

SYSTEMS INSTALLATIONS

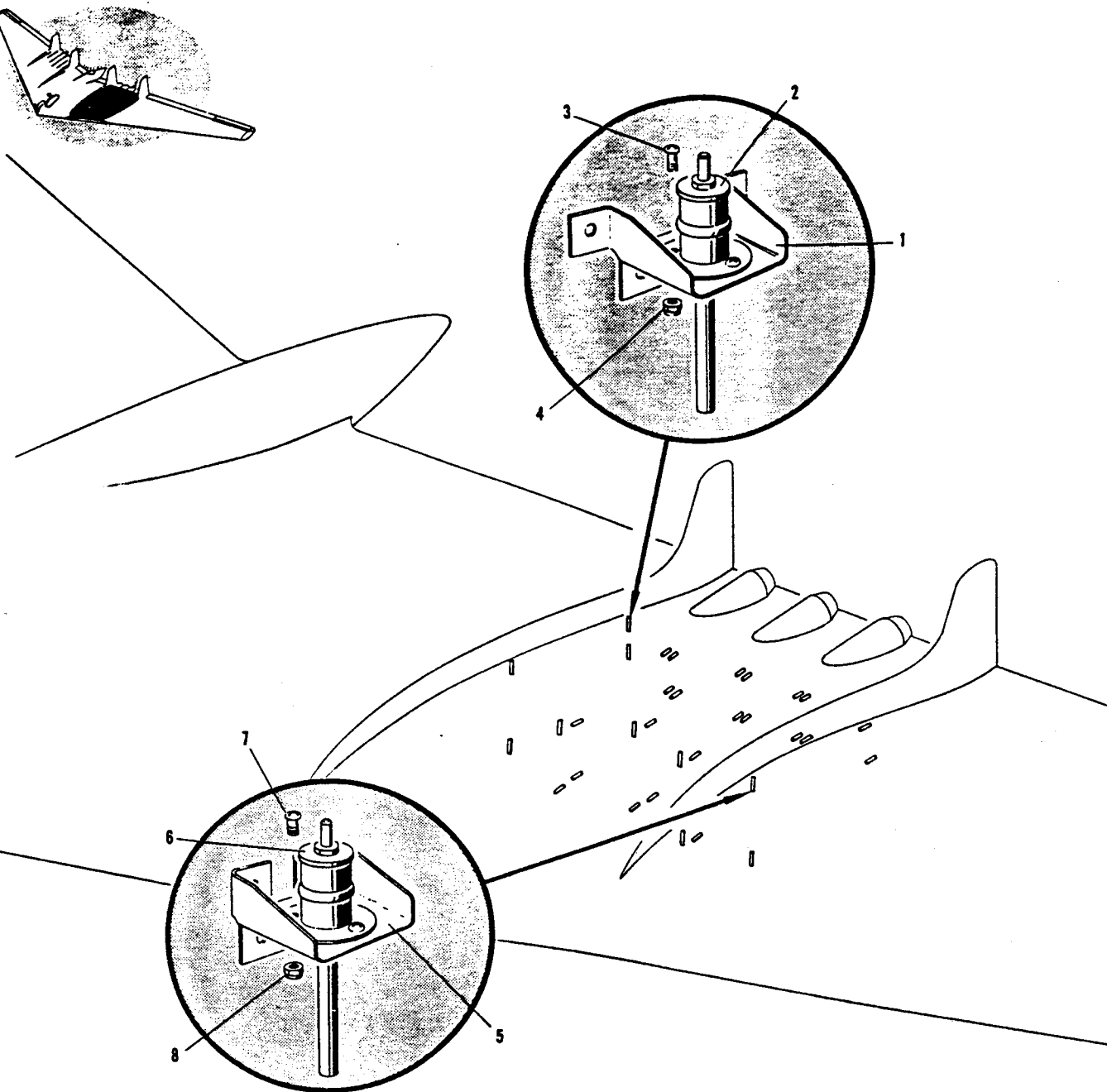


FIGURE 172—HEAT DETECTOR SYSTEMS

HEAT DETECTOR SYSTEMS

FIGURE & INDEX NUMBER	PART NUMBER	NOMENCLATURE	UNITS PER ASSEM	USAGE CODE
		1 2 3 4 5 6 7		
	561168	Installation—Heat detectors LH (For next assembly see page 13)	NP	DE
	561168-1	Installation—Heat detectors RH (For next assembly see page 13)	NP	DE
172 - 1	561168-6	• Bracket Assembly—Heat detector	30	DE
2	S3-250	• • Switch—Thermo (SILVER-WIN CO., 2636 Humboldt, Los Angeles, Calif.)	1	DE
3	NAS221-8	• • Screw—Brazier head Phillips recess, 10-32	3	DE
4	AN365-1032	• • Nut—Self locking	2	DE
5	561168-8	• Bracket Assembly—Heat detector	1	DE
6	S3-250	• • Switch—Thermo (SILVER-WIN CO., 2636 Humboldt, Los Angeles, Calif.)	3	DE
7	NAS221-8	• • Screw—Brazier head Phillips recess, 10-32	3	DE
8	AN365-1032	• • Nut—Self locking	3	DE

SYSTEMS INSTALLATIONS

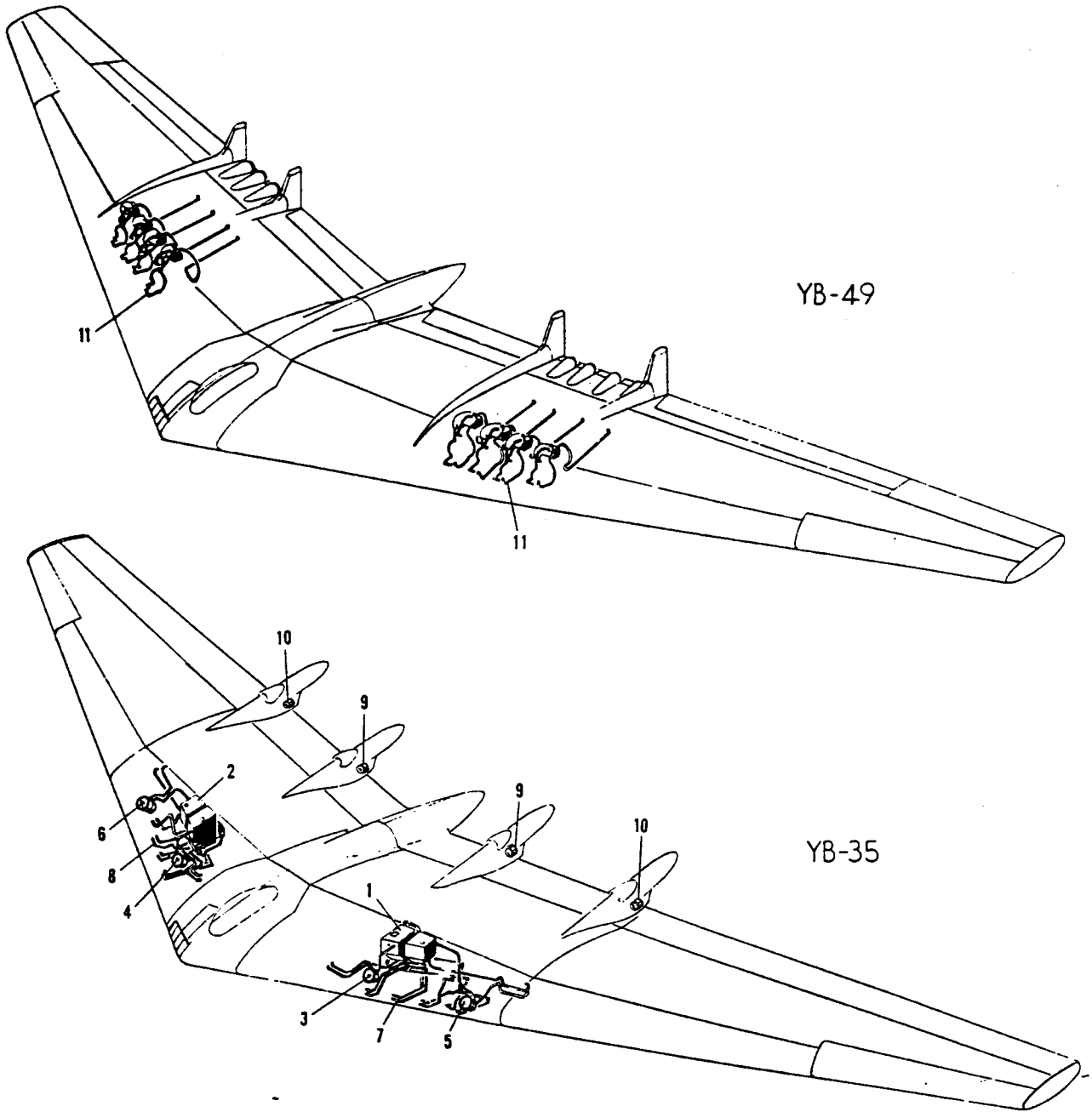


FIGURE 173—OIL SYSTEMS

OIL SYSTEMS

FIGURE & INDEX NUMBER	PART NUMBER	NOMENCLATURE							UNITS PER ASSEM	USAGE CODE
		1	2	3	4	5	6	7		
173 - 1	590006-10	REF	X
	590006-20	REF	X
	592301	REF	X
	592302	REF	X
	592303	REF	X
	592304	REF	X
	559010	REF	X
	559044	REF	X
	561031	REF	X
	560902	REF	X DE
	557016	REF	X DE

SYSTEMS INSTALLATIONS

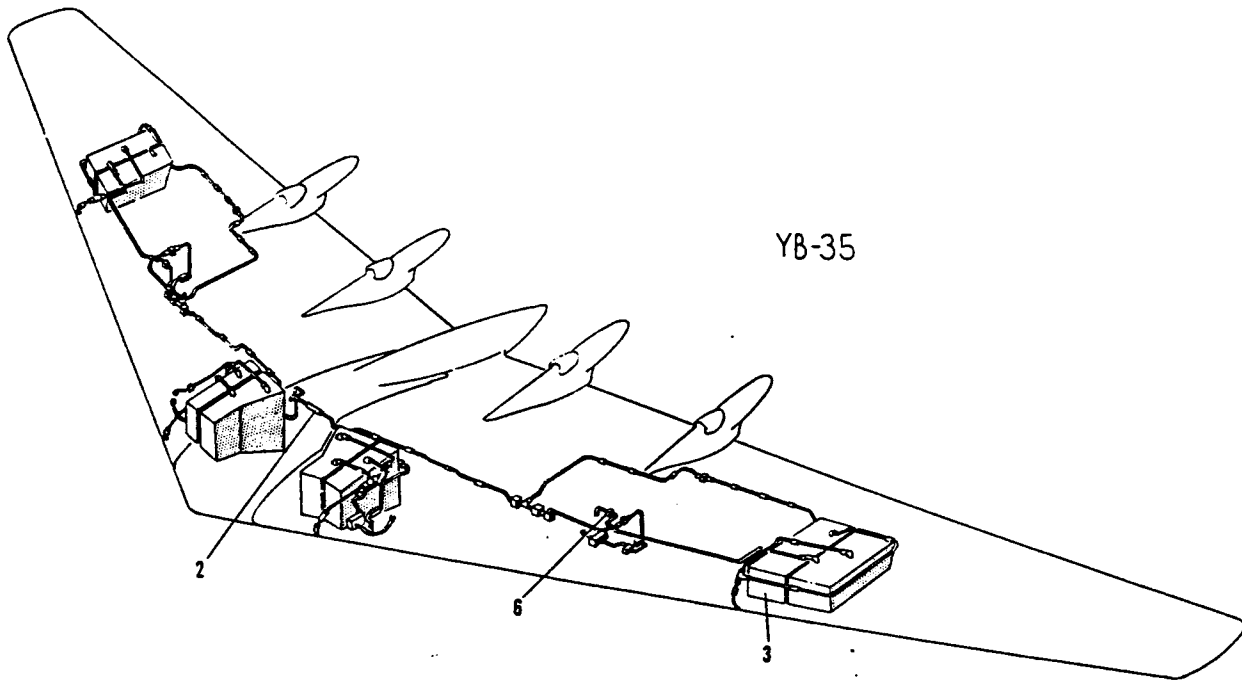
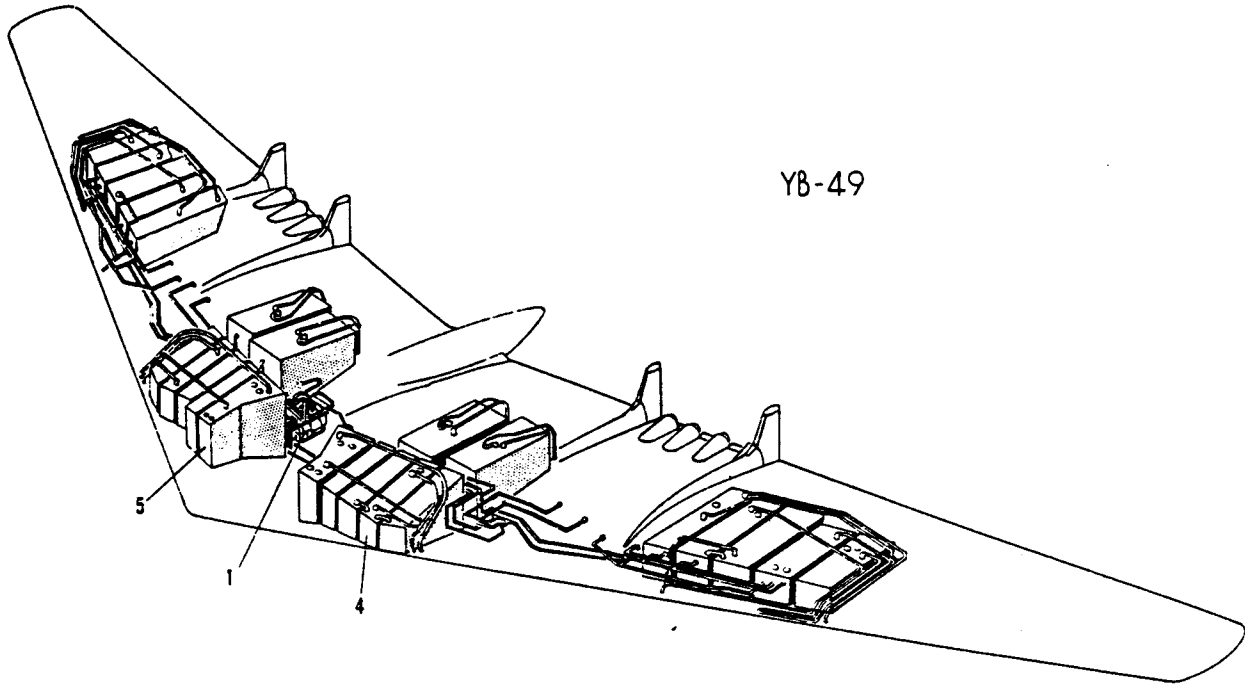


FIGURE 174—FUEL SYSTEMS

FIGURE & INDEX NUMBER	PART NUMBER	NOMENCLATURE							UNITS PER ASSEM	USAGE CODE
		1	2	3	4	5	6	7		
174 - 1	557737	Fuel Systems							REF	DE
2	556472	• System Installation—Auxiliary power unit fuel (For detail breakdown see page 57).....							REF	X
3	593000	• Line Installation—Cross feed fuel (For detail breakdown see page 123).....							REF	X
4	574075	• Installation—Fuel system (For detail breakdown see page 203).....							REF	DE
5	574076	• Fuel System Installation—Complete LH (For detail breakdown see page 219).....							REF	DE
6	556266	• Fuel System Installation—Complete RH (For detail breakdown see page 219).....							REF	X
		• Piping Installation—Engine (For detail breakdown see page 211).....								

SYSTEMS INSTALLATIONS

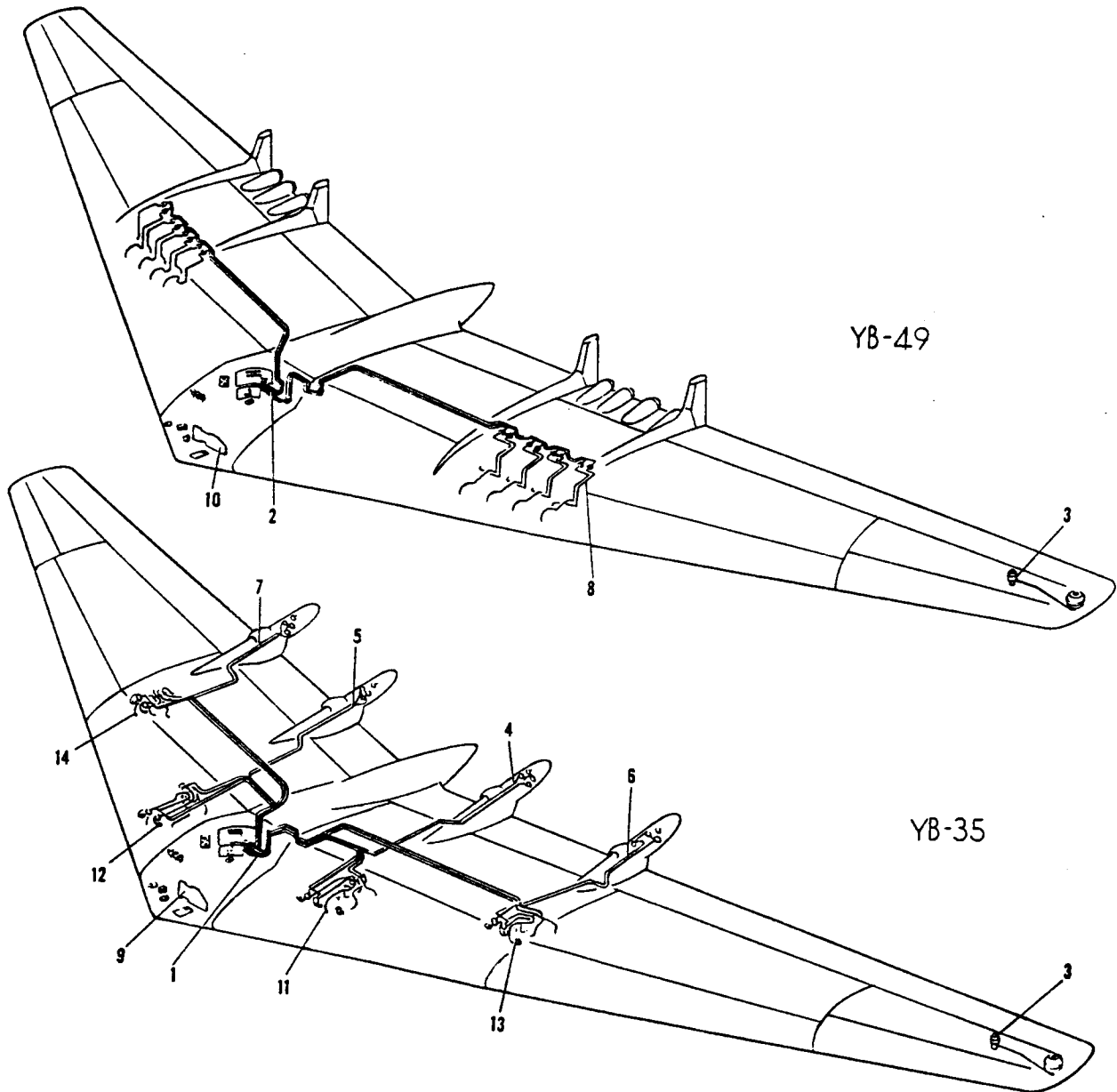


FIGURE 175—INSTRUMENT SYSTEMS

FIGURE & INDEX NUMBER	PART NUMBER	NOMENCLATURE							UNITS PER ASSEM	USAGE CODE
		1	2	3	4	5	6	7		
175 - 1	451050	Instrument System							REF	X
2	457541	Instruments Installation—Complete							REF	DE
3	551094	Instruments Installation—Outer wing (For detail breakdown see page 20)							REF	ALL
4	551196	Instrument Installation—Center wing inboard LH (For detail breakdown see page 77)							REF	X
5	551196-1	Instrument Installation—Center wing outboard LH (For detail breakdown see page 77)							REF	X
6	551197	Instrument Installation—Center wing outboard RH (For detail breakdown see page 77)							REF	X
7	551197-1	Instrument Installation—Center wing (For detail breakdown see page 77)							REF	DE
8	556881	Instruments Installation—Crew nacelle (For detail breakdown see page 141)							REF	X
9	551097-500	Instruments Installation—Crew nacelle (For detail breakdown see page 141)							REF	DE
10	556840	Instruments Installation—Power plant inboard LH (For detail breakdown see page 201)							REF	X
11	551095	Instrument Installation—Power plant inboard RH (For detail breakdown see page 201)							REF	X
12	551095-1	Instrument Installation—Power plant outboard LH (For detail breakdown see page 201)							REF	X
13	551096	Instrument Installation—Power plant outboard RH (For detail breakdown see page 201)							REF	X
14	551096-1	Instrument Installation—Power plant outboard RH (For detail breakdown see page 201)							REF	X

SYSTEMS INSTALLATIONS

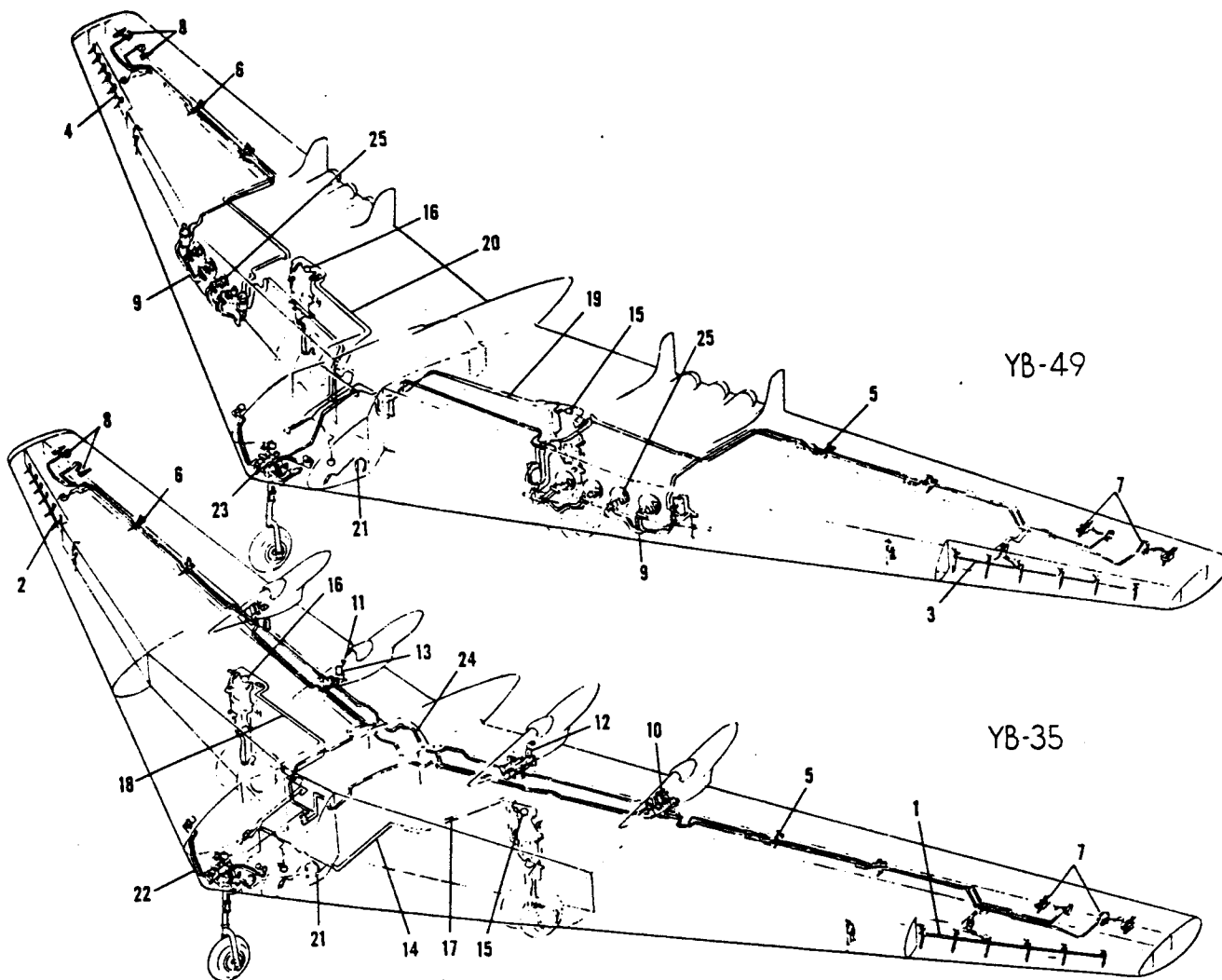


FIGURE 176—HYDRAULIC SYSTEMS

HYDRAULIC SYSTEMS

FIGURE & INDEX NUMBER	PART NUMBER	NOMENCLATURE							UNITS PER ASSEM	USAGE CODE
		1	2	3	4	5	6	7		
		Hydraulic Systems								
176 - 1	551152	Hydraulic Installation—Outer wing center section LH (For detail breakdown see page 17).....							REF	X
2	551152-1	Hydraulic Installation—Outer wing center section RH (For detail breakdowns see page 17)....							REF	DE
3	557702	Hydraulic Installation—Outer wing center section LH (For detail breakdown see page 17).....							REF	DE
4	557702-1	Hydraulic Installation—Outer wing center section RH (For detail breakdown see page 17).....							REF	ALL
5	551158	Hydraulic Installation—Outer wing trailing edge LH (For detail breakdown see page 18).....							REF	ALL
6	551158-1	Hydraulic Installation—Outer wing trailing edge RH (For detail breakdown see page 18).....							REF	ALL
7	551151	Hydraulic Installation—Trim flap LH (For detail breakdown see page 29).....							REF	ALL
8	551151-1	Hydraulic Installation—Trim flap RH (For detail breakdown see page 29).....							REF	DE
9	557270	Hydraulic Installation—Center wing aft leading edge (For detail breakdown see page 90).....							REF	X
10	551153	Hydraulic Installation—Center wing trailing edge LH (For detail breakdown see page 78).....							REF	X
11	551153-1	Hydraulic Installation—Center wing trailing edge RH (For detail breakdown see page 78).....							REF	X
12	553288	Reservoir Installation—Inboard hydraulic pressurized LH (For detail breakdown see page 81)...							REF	X
13	553288-1	Reservoir Installation—Inboard hydraulic pressurized RH (For detail breakdown see page 81)...							REF	X
14	551157	Hydraulic Installation—Center wing aft leading edge (For detail breakdown see page 35).....							REF	ALL
15	552128	Bungee Installation—Main landing gear LH (For detail breakdown see page 49).....							REF	ALL
16	552128-1	Bungee Installation—Main landing gear RH (For detail breakdown see page 49).....							REF	X
17	551156-2	Hydraulic Installation—Center wing center section LH (For detail breakdown see page 43)....							REF	X
18	551156-4	Hydraulic Installation—Center wing center section RH (For detail breakdown see page 43)....							REF	DE
19	557269-2	Hydraulic Installation—Center wing center section LH (For detail breakdown see page 43)....							REF	DE
20	557269-4	Hydraulic Installation—Center wing center section RH (For detail breakdown see page 43)....							REF	ALL
21	559294	Bungee Installation—Nose landing gear door emergency (For detail breakdown see page 61)...							REF	X
22	551155	Hydraulic Installation—Crew nacelle nose section (For detail breakdown see page 101).....							REF	DE
23	557701	Hydraulic Installation—Crew nacelle nose section (For detail breakdown see page 101).....							REF	X
24	551154	Hydraulics Installation—Crew nacelle aft (For detail breakdown see page 145).....							REF	DE
	557629	Hydraulics Installation—Power plant section (For detail breakdown see page 233).....							REF	DE

SYSTEMS INSTALLATIONS

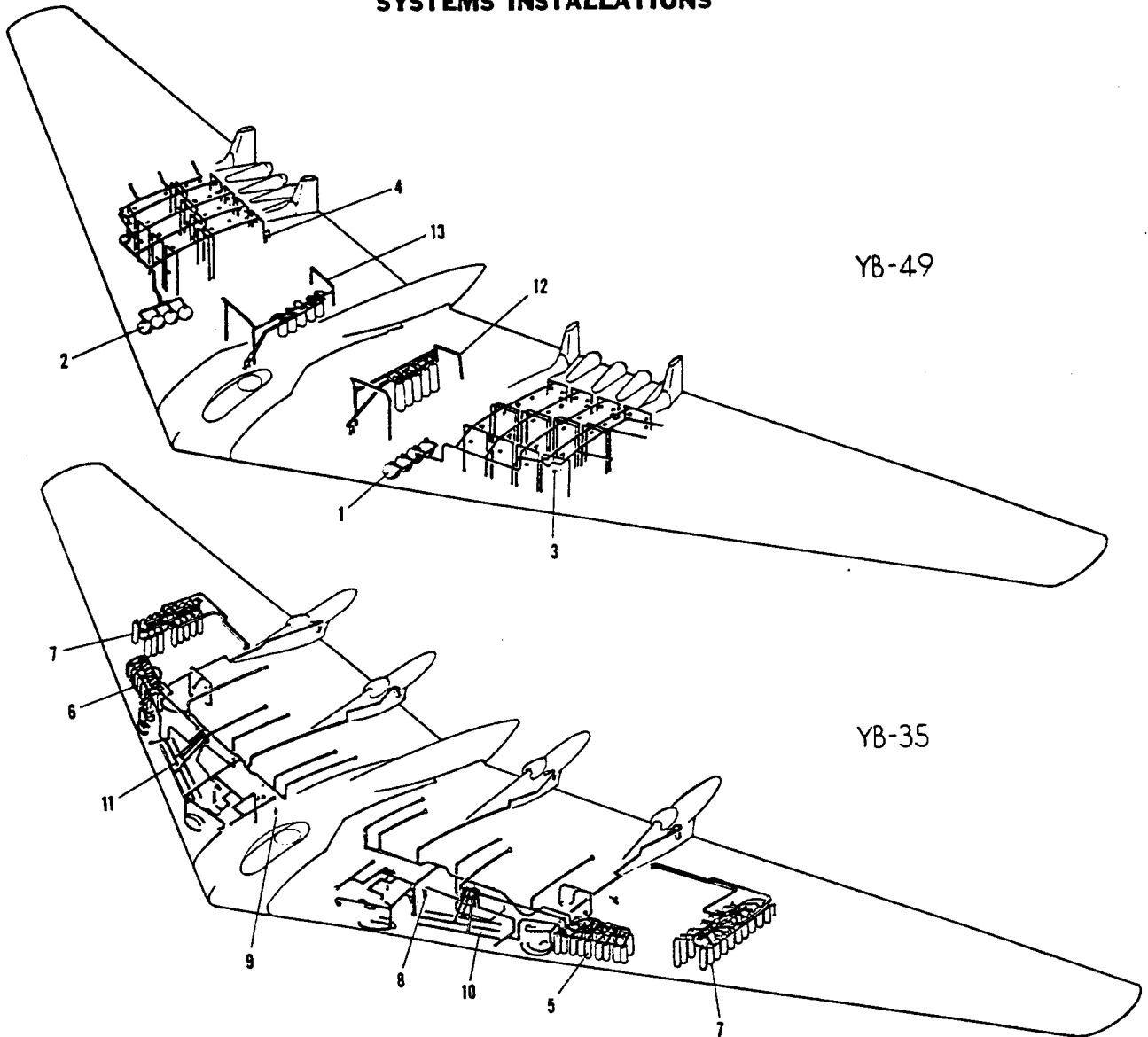


FIGURE 177—FIRE EXTINGUISHER SYSTEMS

FIRE EXTINGUISHER SYSTEMS

FIGURE & INDEX NUMBER	PART NUMBER	1	2	3	4	5	6	7	NOMENCLATURE	UNITS PER ASSEM	USAGE CODE
177 - 1	556732	Fire Extinguisher Systems System Installation—Methyl bromide fire extinguisher complete LH (For detail breakdown see page 297).....	REF	DE
	556732-1	System Installation—Methyl bromide fire extinguisher complete RH (For detail breakdown see page 297).....	REF	DE
	559424	Detector Installation—Fire extinguisher LH (For detail breakdown see page 297).....	REF	DE
	559424-1	Detector Installation—Fire extinguisher RH (For detail breakdown see page 297).....	REF	DE
	558923	System Installation—Outer wing fire extinguisher LH (For detail breakdown see page 23).....	REF	C-F
	558923-1	System Installation—Outer wing fire extinguisher RH (For detail breakdown see page 23).....	REF	C-F
	558923-1	System Installation—Outer wing methyl bromide fire extinguisher LH (For detail breakdown see page 23).....	REF	C-F
	560195	System Installation—Outer wing methyl bromide fire extinguisher RH.....	REF	G-R
	560195-1	System Installation—Edison unit type fire detector LH (For detail breakdown see page 85)....	REF	X
	560897	System Installation—Edison unit type fire detector RH (For detail breakdown see page 85)....	REF	X
	590085	System Installation—Center wing fire extinguisher LH (For detail breakdown see page 85)....	REF	X
	590086	System Installation—Center wing fire extinguisher RH (For detail breakdown see page 85)....	REF	X
	560762	System Installation—Auxiliary power plant fire extinguisher LH (For detail breakdown see page 297).....	REF	DE
560762-1	System Installation—Auxiliary power plant fire extinguisher RH (For detail breakdown see page 297).....	REF	DE	

RESTRICTED
AN 01-15EAA-4
SYSTEMS INSTALLATIONS

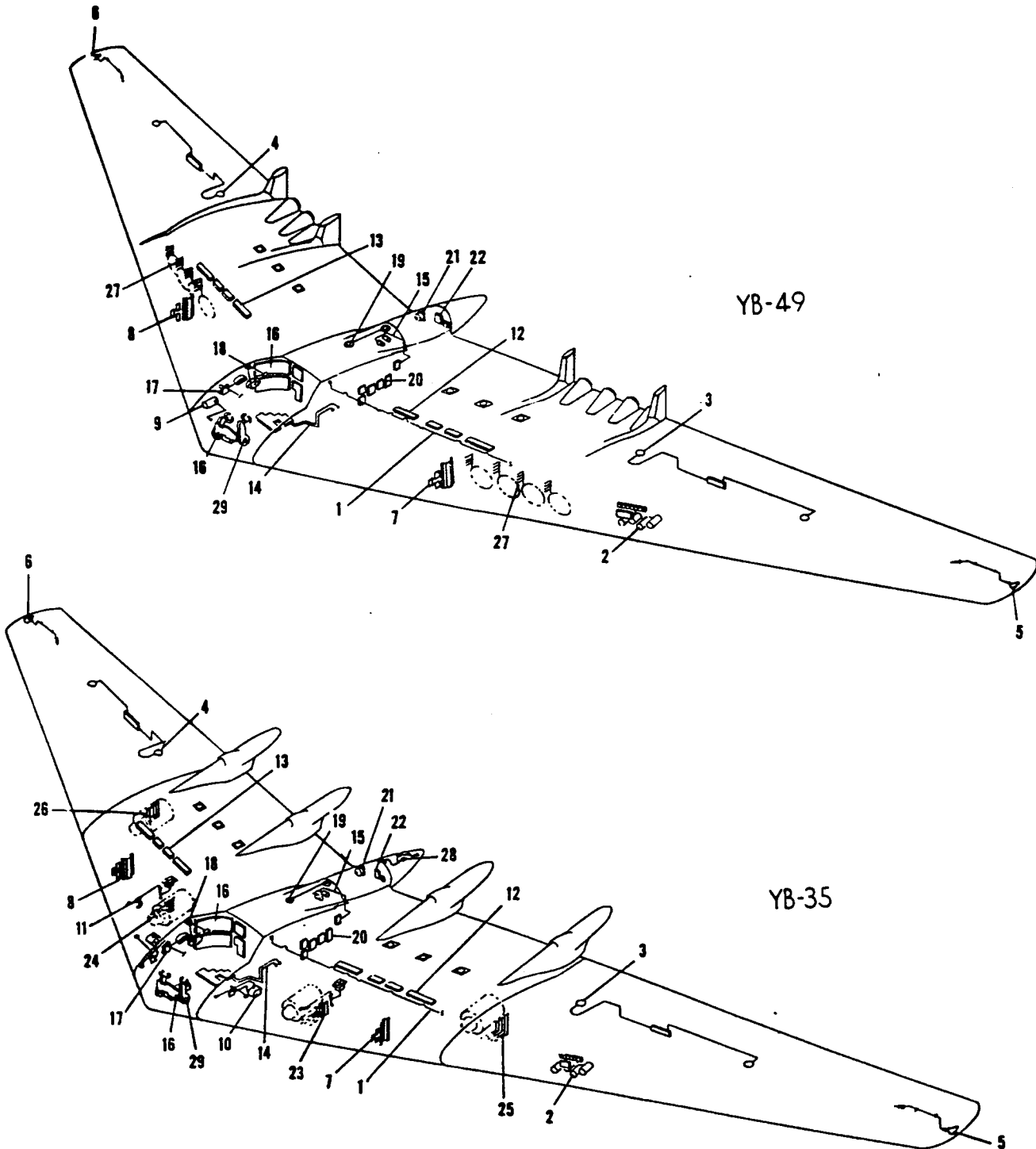


FIGURE 178—ELECTRICAL SYSTEMS

RESTRICTED

SYSTEMS INSTALLATIONS
ELECTRICAL SYSTEMS

FIGURE & INDEX NUMBER	PART NUMBER	NOMENCLATURE							UNITS PER ASSEM	USAGE CODE
		1	2	3	4	5	6	7		
		Electrical Systems								
178 - 1	551135	REF	ALL
2	551136	REF	C
3	551162	REF	ALL
4	551162-1	REF	ALL
5	554386	REF	ALL
6	554386-1	REF	ALL
7	584545	REF	ALL
8	584545-1	REF	ALL
9	459236	REF	DE
		REF	X
10	584541	REF	X
11	584542	REF	ALL
12	584543	REF	ALL
13	584544	REF	ALL
14	551138	REF	ALL
15	551139	REF	C
16	551142	REF	ALL
17	551148	REF	C
18	560509	REF	ALL
19	551140	REF	ALL
20	551141	REF	C
		REF	ALL
21	551149	REF	C
22	551150	REF	X
23	584575	REF	X
24	584576	REF	X
25	584577	REF	X
26	584578	REF	X
27	558283	REF	DE
28	551160	REF	C

SYSTEMS INSTALLATIONS

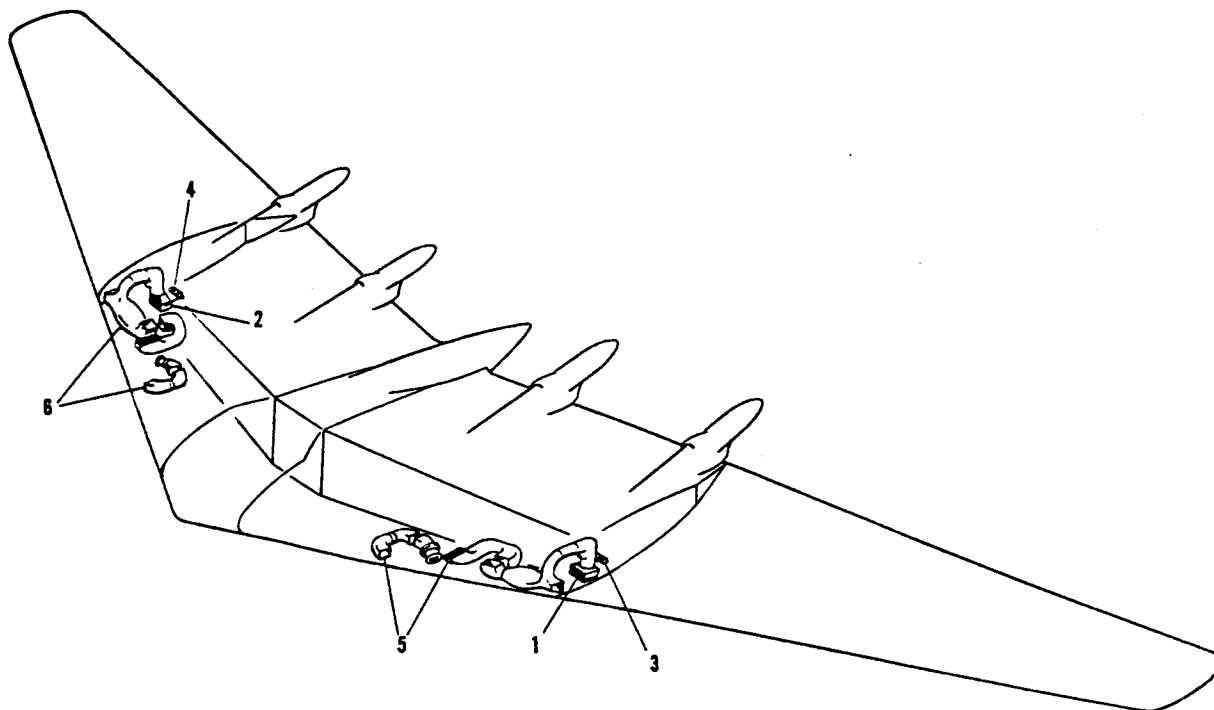


FIGURE 179—DE-ICING SYSTEMS

DE-ICING SYSTEMS							UNITS PER ASSEM	USAGE CODE		
FIGURE & INDEX NUMBER	PART NUMBER	1	2	3	4	5	6	7		
179 - 1	596821								REF	X
2	596822								REF	X
3	592545								REF	X
4	592546								REF	X
5	592501								REF	X
6	592502								REF	X

- De-Icing Systems
- Duct Assembly—Outboard wing de-icing lower LH (For detail breakdown see page 63).....
- Duct Assembly—Outboard wing de-icing lower RH (For detail breakdown see page 63).....
- Controls Installation—Outboard wing de-icing valve LH (For detail breakdown see page 63)...
- Controls Installation—Outboard wing de-icing valve RH (For detail breakdown see page 63)...
- De-Icing System Installation—LH (For detail breakdown see page 193).....
- De-Icing System Installation—RH (For detail breakdown see page 193).....

SYSTEMS INSTALLATIONS

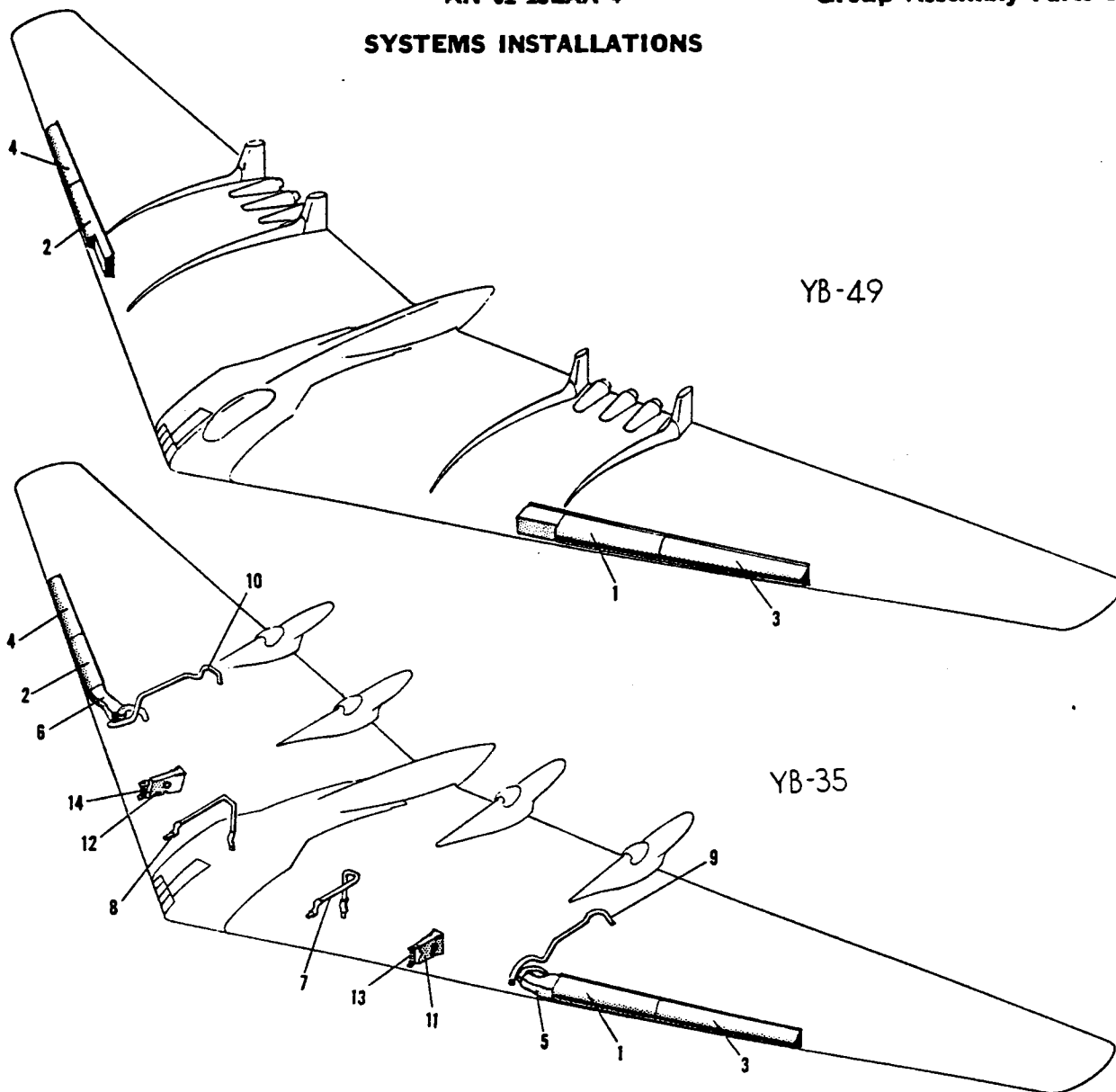


FIGURE 180—ANTI-ICER SYSTEMS

ANTI-ICING SYSTEMS

FIGURE & INDEX NUMBER	PART NUMBER	1	2	3	4	5	6	7	NOMENCLATURE	UNITS PER ASSEM	USAGE CODE
Anti-Icer Systems											
180 - 1	597323	Duct Assemblies—Canted wing sta 400 to 567 anti-icing LH (For next assembly see page 15)...	REF	ALL
2	597324	Duct Assemblies—Canted wing sta 400 to 567 anti-icing RH (For next assembly see page 15)...	REF	ALL
3	597383	Duct Assemblies—Canted wing sta 567 to 731 anti-icing LH (For next assembly see page 15)...	REF	ALL
4	597384	Duct Assemblies—Canted wing sta 567 to 731 anti-icing RH (For next assembly see page 15)...	REF	ALL
5	597575	Duct Installation and Assembly—Wing sta 400 to canted sta 400 transition LH (For next assembly see page 15).....	REF	X
6	597576	Duct Installation and Assembly—Wing sta 400 to canted sta 400 transition RH (For next assembly see page 15).....	REF	X
7	560191	Duct Installation—Anti-icing leading edge center wing sta 12.5 waste gate LH (For next assembly see page 75).....	REF	U
8	560191-1	Duct Installation—Anti-icing leading edge center wing sta 12.5 waste gate RH (For next assembly see page 75).....	REF	U
9	560192	Duct Installation—Anti-icing leading edge center wing sta 400 waste gate LH (For next assembly see page 75).....	REF	U
10	560192-1	Duct Installation—Anti-icing leading edge center wing sta 400 waste gate RH (For next assembly see page 75).....	REF	U
11	556638	Blanket Installation—Center wing anti-icing rib insulating LH (For next assembly see page 35)	REF	X
12	556638-1	Blanket Installation—Center wing anti-icing rib insulating RH (For next assembly see page 35)	REF	X
13	586783	Valve Installation—Heating and ventilating sta 246 to 258 anti-icing LH (For detail breakdown see page 35).....	REF	U
14	586784	Valve Installation—Heating and ventilating sta 246 to 258 anti-icing RH (For detail breakdown see page 35).....	REF	U

SYSTEMS INSTALLATIONS

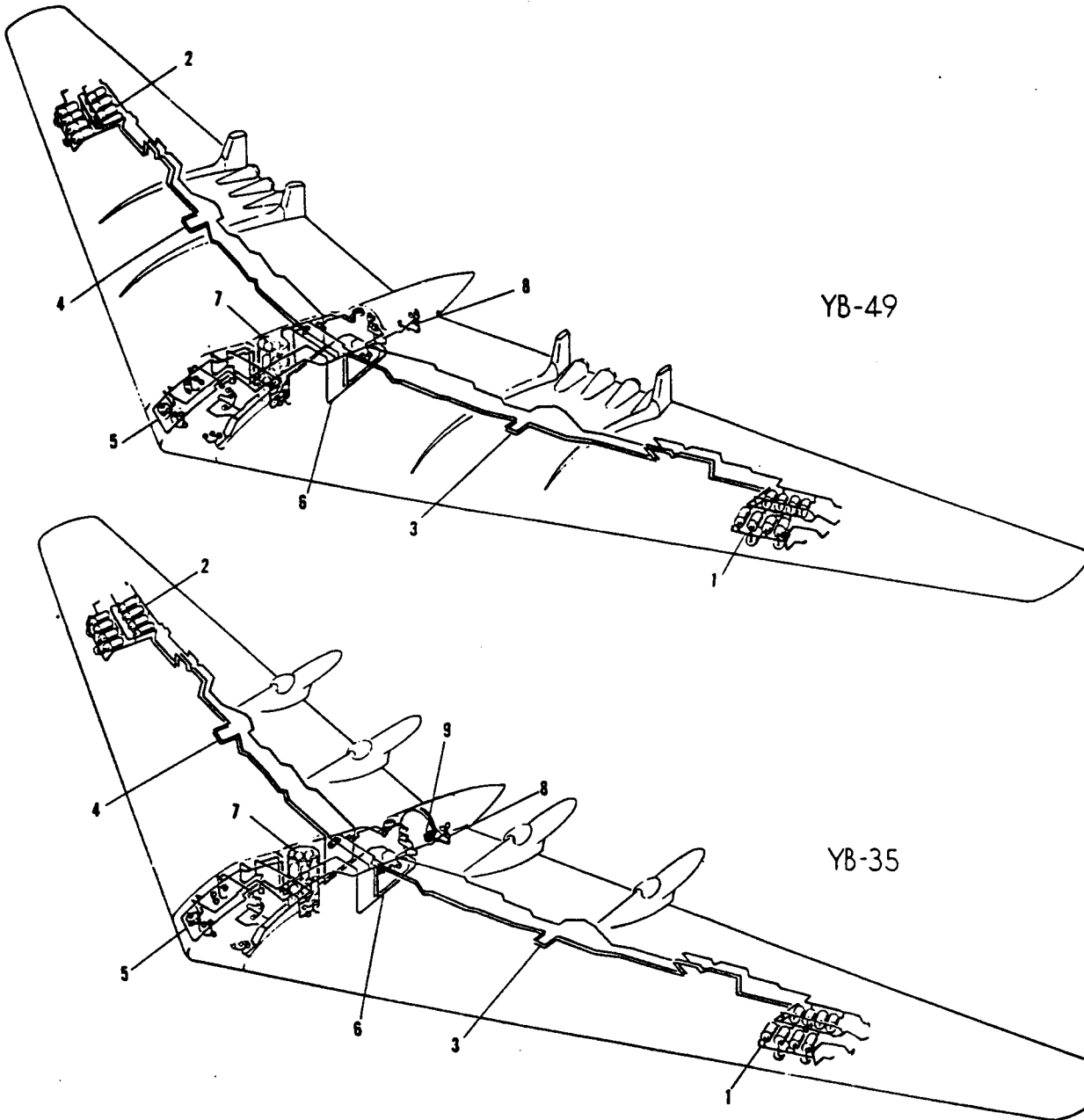


FIGURE 181—OXYGEN SYSTEMS

OXYGEN SYSTEMS

FIGURE & INDEX NUMBER	PART NUMBER	1	2	3	4	5	6	7	NOMENCLATURE	UNITS PER ASSEM	USAGE CODE
181 - 1	551092								Oxygen Systems		
2	551092-1								• Oxygen Equipment Installation—Outer wing LH (For detail breakdown see page 24)	REF	ALL
3	551091								• Oxygen Equipment Installation—Outer wing RH (For detail breakdown see page 24)	REF	ALL
4	551091-1								• Oxygen System Installation—Center wing LH (For detail breakdown see page 32)	REF	ALL
5	556839								• Oxygen System Installation—Center wing RH (For detail breakdown see page 32)	REF	ALL
6	555500								• Oxygen Equipment Installation—Crew nacelle nose section (For detail breakdown see page 117)	REF	ALL
6	555500								• Oxygen Installation—Crew nacelle center section (For detail breakdown see page 127)	REF	ALL
7	556977								• Oxygen Installation—Crew nacelle center section (For detail breakdown see page 127)	REF	ALL
8	555169								• Oxygen Equipment Installation—Crew nacelle turret well (For detail breakdown see page 127)	REF	DE
9	560499								• Oxygen Equipment Installation—Crew nacelle aft section (For detail breakdown see page 131)	REF	ALL
									• Oxygen Equipment Installation—Crew nacelle aft section lower sighting station (For detail breakdown see page 131)	REF	C

SYSTEMS INSTALLATIONS

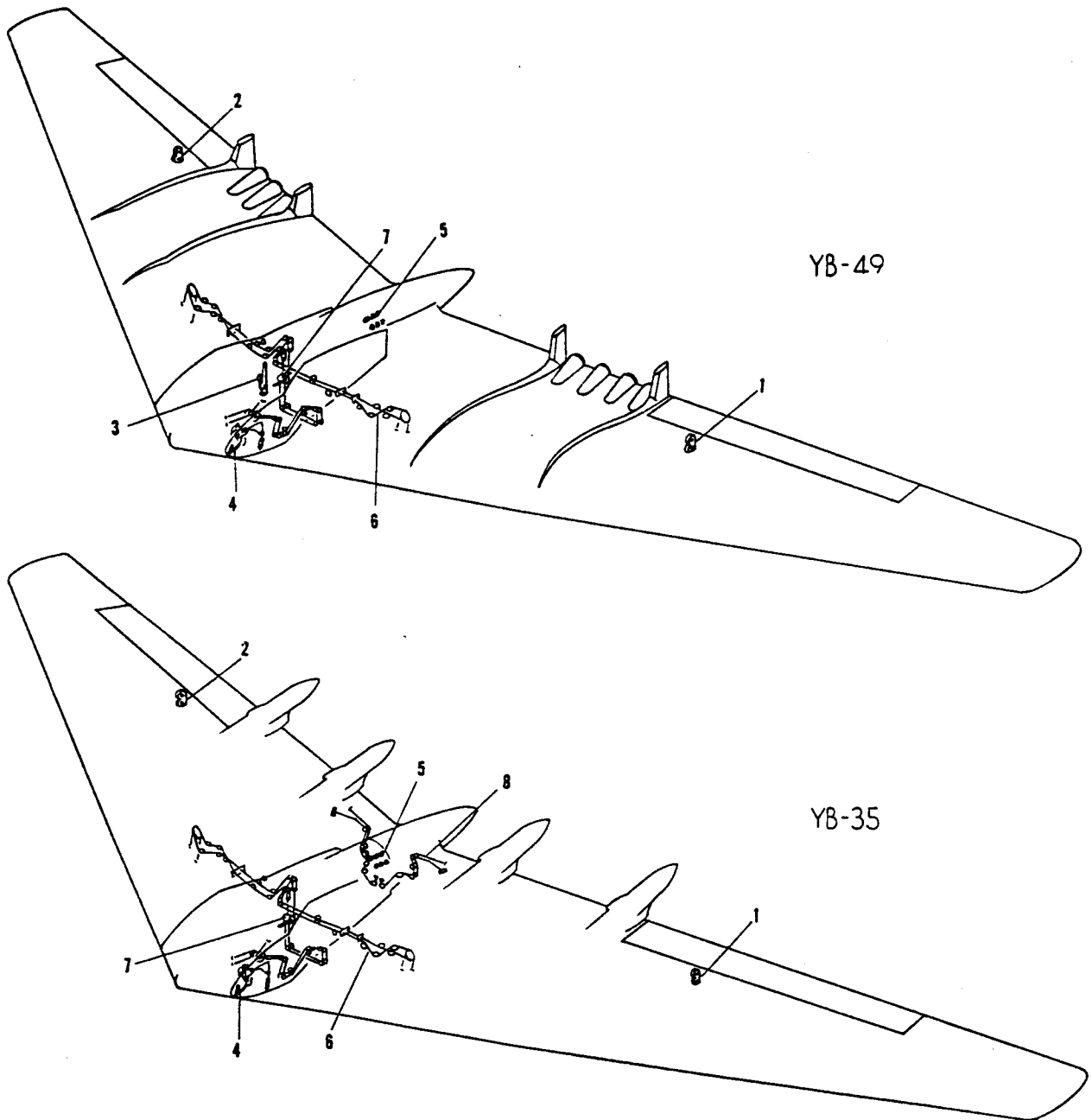
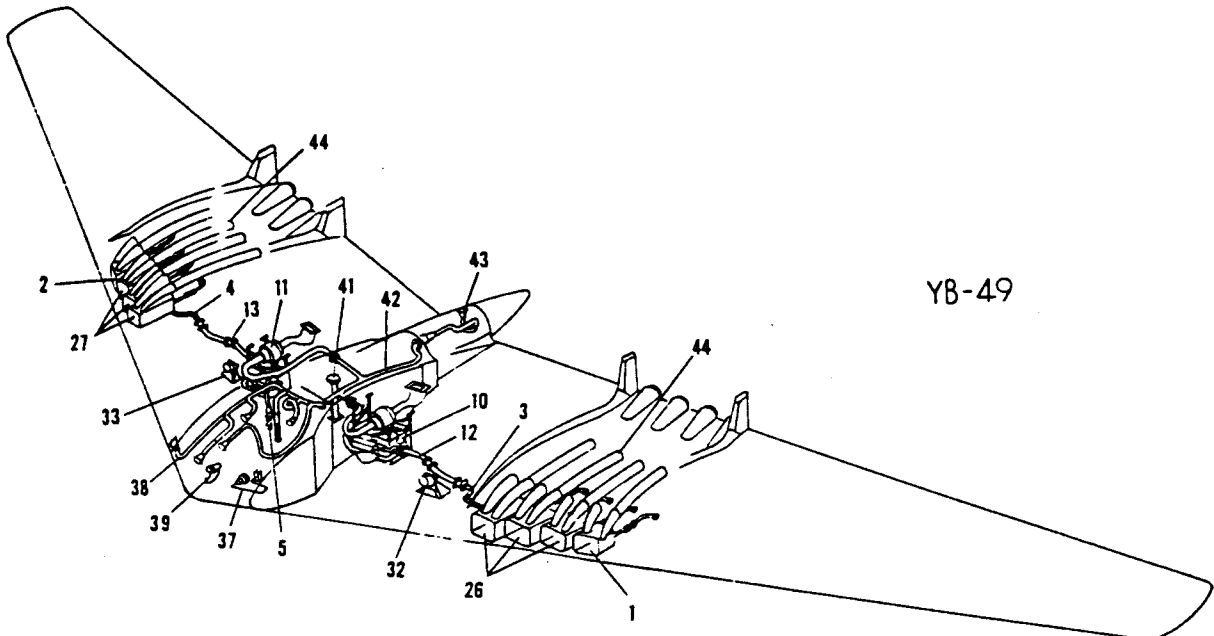


FIGURE 182—EMERGENCY EQUIPMENT SYSTEMS

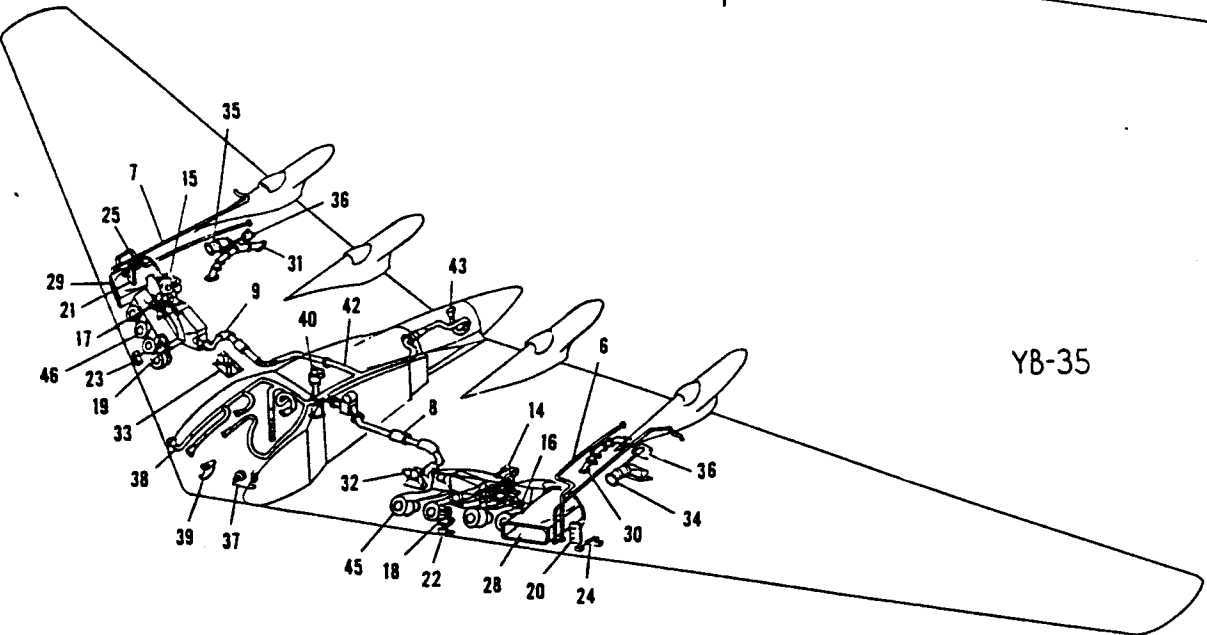
EMERGENCY EQUIPMENT SYSTEMS

FIGURE & INDEX NUMBER	PART NUMBER	1	2	3	4	5	6	7	NOMENCLATURE	UNITS PER ASSEM	USAGE CODE
182 - 1	557613								Emergency Equipment		
2	557613-1								• Quadrant—Elevon emergency control LH (For next assembly see page 25)	REF	ALL
3	557216								• Quadrant—Elevon emergency control RH (For next assembly see page 25)	REF	ALL
4	559294								• Intake Installation—Cabin emergency ram air (For detail breakdown see page 75)	REF	DE
5	560530								• Bungee Installation—Nose landing gear door emergency (For detail breakdown see page 61)	REF	ALL
6	552453								• Mechanism Installation—Crew nacelle rear section escape hatch (For detail breakdown see page 133)	REF	CHMQR
7	555342								• Cable Installation—Landing gear emergency release control (For detail breakdown see page 291)	REF	ALL
8	558981								• Mechanism Installation—Landing gear emergency release control (For detail breakdown see page 294)	REF	ALL
									• Cable Installation—Life raft control (For detail breakdown see page 287)	REF	G-R

RESTRICTED
AN 01-15EAA-4
SYSTEMS INSTALLATIONS



YB-49



YB-35

FIGURE 183—HEATING AND VENTILATING SYSTEMS

RESTRICTED

SYSTEMS INSTALLATIONS
HEATING AND VENTILATING SYSTEMS

FIGURE & INDEX NUMBER	PART NUMBER	NOMENCLATURE							UNITS PER ASSEM	USAGE CODE
		1	2	3	4	5	6	7		
		Heating and Ventilating Systems								
183 - 1	579695	REF	DE
		Duct Installation—Outer wing engine ram air and cooling air LH (For detail breakdown see page 15)								
2	579696	REF	DE
		Duct Installation—Outer wing engine ram air and cooling air RH (For detail breakdown see page 15)								
3	556985	REF	DE
		Duct—Cabin super charging wing sta 215.5 to 439.5 LH (For detail breakdown see page 75)								
4	556985-1	REF	DE
		Duct—Cabin super charging wing sta 215.5 to 439.5 RH (For detail breakdown see page 75)								
5	557216	REF	DE
		Intake Installation—Cabin emergency air (For detail breakdown see page 75)								
6	588879	REF	X
		Piping Installation—Temperature and pressure outboard engine compartment and bomb bays No. 1 and No. 8 LH (For detail breakdown see page 75)								
7	588880	REF	X
		Piping Installation—Temperature and pressure outboard engine compartment and bomb bays No. 1 and No. 8 RH (For detail breakdown see page 75)								
8	586693	REF	X
		Heat and Vent Installation—Cabin heater to crew nacelle LH (For detail breakdown see page 87)								
9	586694	REF	X
		Heat and Vent Installation—Cabin heater to crew nacelle RH (For detail breakdown see page 87)								
10	557472	REF	DE
		Heat and Vent Installation—Turbine and after cooler cabin LH (For detail breakdown see page 89)								
11	557472-1	REF	DE
		Heat and Vent Installation—Turbine and after cooler cabin RH (For detail breakdown see page 89)								
12	557696	REF	DE
		Heat and Vent Installation—Wing sta 75 to 215.5 LH (For detail breakdown see page 89)								
13	557696-1	REF	DE
		Heat and Vent Installation—Wing sta 75 to 215.5 RH (For detail breakdown see page 89)								
14	586529	REF	X
		Valve Installation—Heat and vent plenum chamber LH (For detail breakdown see page 37)								
15	586530	REF	X
		Valve Installation—Heat and vent plenum chamber RH (For detail breakdown see page 37)								
16	586681	REF	X
		Controls Installation—Heat and vent inboard waste gate LH (For detail breakdown see page 37)								
17	586682	REF	X
		Controls Installation—Heat and vent inboard waste gate RH (For detail breakdown see page 37)								
18	592559	REF	X
		Valve Installation—Rib sta 215.5 heat exchanger duct air LH (For detail breakdown see page 35)								
19	592560	REF	X
		Valve Installation—Rib sta 215.5 heat exchanger duct air RH (For detail breakdown see page 35)								
20	592585	REF	X
		Valve Installation—Rib sta 281.5 heat exchanger duct air LH (For detail breakdown see page 35)								
21	592586	REF	X
		Valve Installation—Rib sta 281.5 heat exchanger duct air RH (For detail breakdown see page 35)								
22	560020	REF	X
		Actuator Installation—Ram air valve sta 215.5 LH (For detail breakdown see page 35)								
23	560020-1	REF	X
		Actuator Installation—Ram air valve sta 215.5 RH (For detail breakdown see page 35)								
24	560019	REF	X
		Actuator Installation—Ram air valve sta 281.5 LH (For detail breakdown see page 35)								
25	560019-1	REF	X
		Actuator Installation—Ram air valve sta 281.5 RH (For detail breakdown see page 35)								
26	579661	REF	DE
		Duct Installation—Center wing ram air and cooling air LH (For detail breakdown see page 35)								
27	579662	REF	DE
		Duct Installation—Center wing ram air and cooling air RH (For detail breakdown see page 35)								
28	591407	REF	X
		Duct Installation—Outboard engine cooling air LH (For detail breakdown see page 35)								
29	591408	REF	X
		Duct Installation—Outboard engine cooling air RH (For detail breakdown see page 35)								
30	586987	REF	X
		Aspirator Installation—Heat and vent sta 338 outboard engine LH (For detail breakdown see page 47)								
31	586988	REF	X
		Aspirator Installation—Heat and vent sta 338 outboard engine RH (For detail breakdown see page 47)								
32	591015-10	REF	X
		Valve Installation—Inboard collector shroud LH (For detail breakdown see page 45)								
33	591016-10	REF	X
		Valve Installation—Inboard collector shroud RH (For detail breakdown see page 45)								
34	596687	REF	X
		Duct Assembly—Outboard collector shroud valve LH (For detail breakdown see page 63)								
35	596688	REF	X
		Duct Assembly—Outboard collector shroud valve RH (For detail breakdown see page 63)								
36	591805	REF	X
		Controls Installation—Outboard collector shroud valve (For detail breakdown see page 63)								
37	556467	REF	ALL
		Valve Installation—Cabin pressure relief and dump (For detail breakdown see page 97)								
38	553238	REF	ALL
		Duct Installation—Forward heating and ventilating (For detail breakdown see page 119)								
39	460613	REF	ALL
		Scoop Installation—Control force bellows ram air (For next assembly see page 97)								
40	553795	REF	C
		Regulator and Adapter Installation—Cabin pressure (For detail breakdown see page 129)								
41	558316	REF	D-R
		Regulator and Adapter Installation—Cabin pressure (For detail breakdown see page 129)								
42	552081	REF	ALL
		Duct Installation—Crew nacelle center section heating and ventilating (For detail breakdown see page 129)								
43	556328	REF	ALL
		Duct Installation—Aft crew nacelle sta 367 to sta 443 heating and ventilating (For detail breakdown see page 131)								
44	557003	REF	DE
		Duct Installation—Engine cooling air (For detail breakdown see page 232)								
45	592101	REF	X
		Plenum Chamber Installation—LH (For detail breakdown see page 187)								
46	592102	REF	X
		Plenum Chamber Installation—RH (For detail breakdown see page 187)								

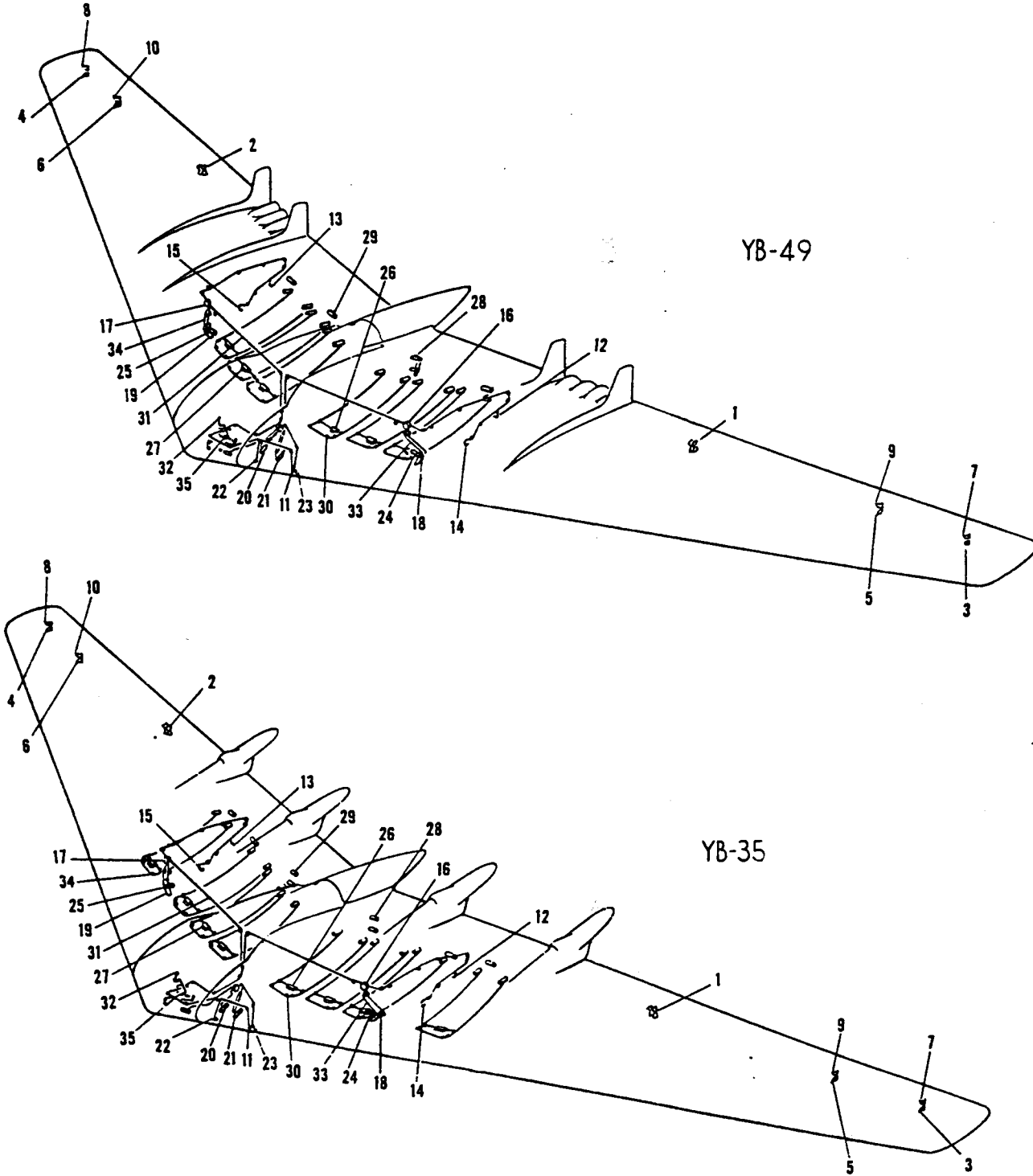


FIGURE 184—SURFACE CONTROLS

RESTRICTED

SYSTEMS INSTALLATIONS
SURFACE CONTROLS

FIGURE & INDEX NUMBER	PART NUMBER	NOMENCLATURE							UNITS PER ASSEM	USAGE CODE
		1	2	3	4	5	6	7		
		Surface Controls								
184 - 1	557613	REF	ALL
2	557613-1	REF	ALL
3	553765	REF	ALL
4	553765-1	REF	ALL
5	553766	REF	ALL
6	553766-1	REF	ALL
7	553767	REF	ALL
8	553767-1	REF	ALL
9	553768	REF	ALL
10	553768-1	REF	ALL
11	596217	REF	ALL
12	596167	REF	ALL
13	596168	REF	ALL
14	596233	REF	ALL
15	596234	REF	ALL
16	555302-2	REF	ALL
17	555302-3	REF	ALL
18	454214	REF	ALL
19	454214-1	REF	ALL
20	A7611F	REF	ALL
21	A7611R	REF	ALL
22	295269-10	REF	ALL
23	295269-20	REF	ALL
24	A7612S	REF	ALL
25	A7612T	REF	ALL
26	559330	REF	ALL
27	559330-1	REF	ALL
28	559663	REF	ALL
29	559663-1	REF	ALL
30	559344	REF	ALL
	251201	REF	ALL
31	552452	REF	ALL
32	553491	REF	ALL
33	555462	REF	ALL
34	555464	REF	ALL
35	555831	REF	ALL

SYSTEMS INSTALLATIONS

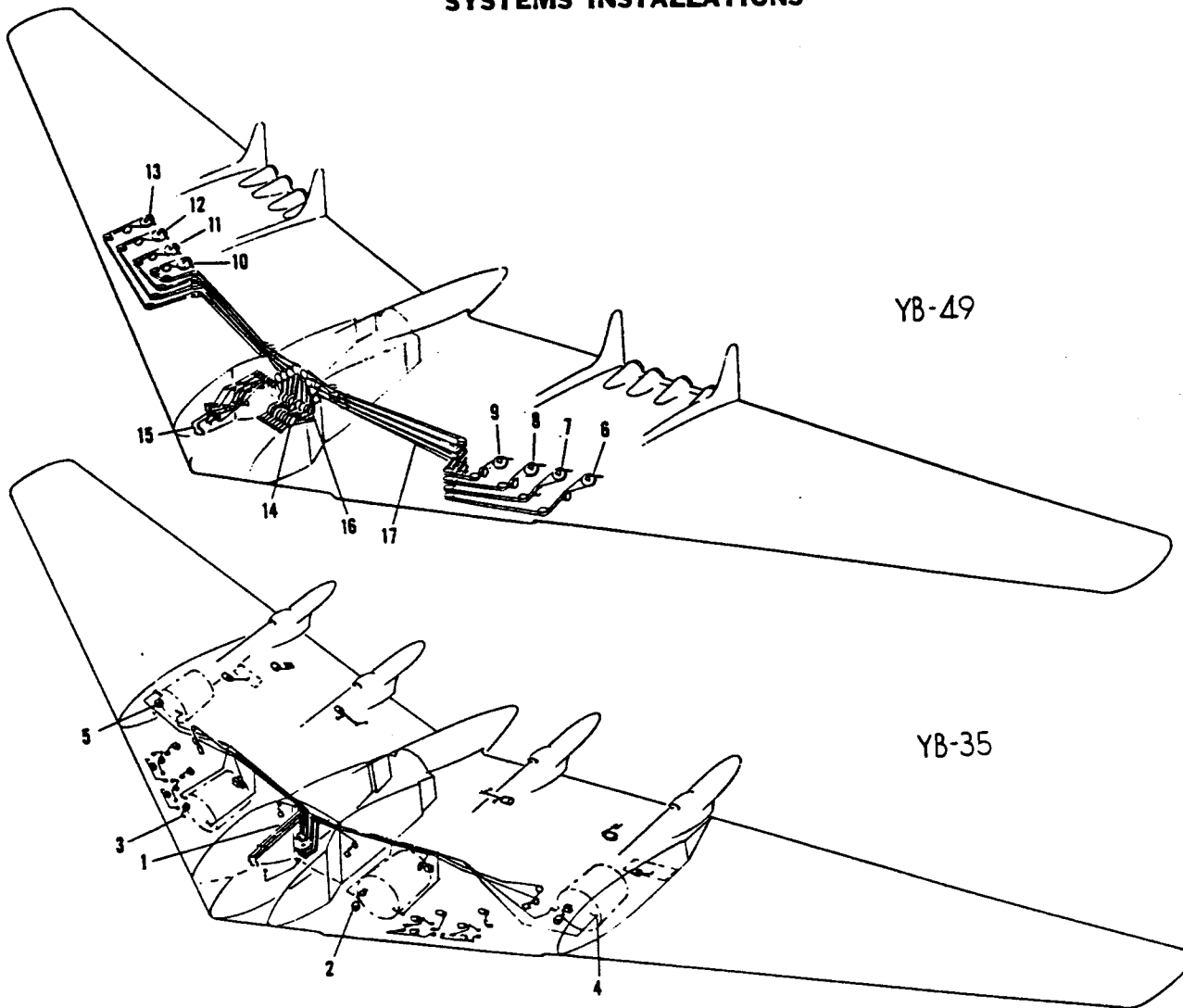


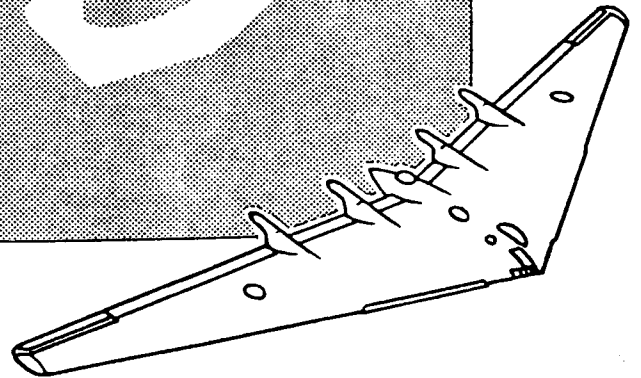
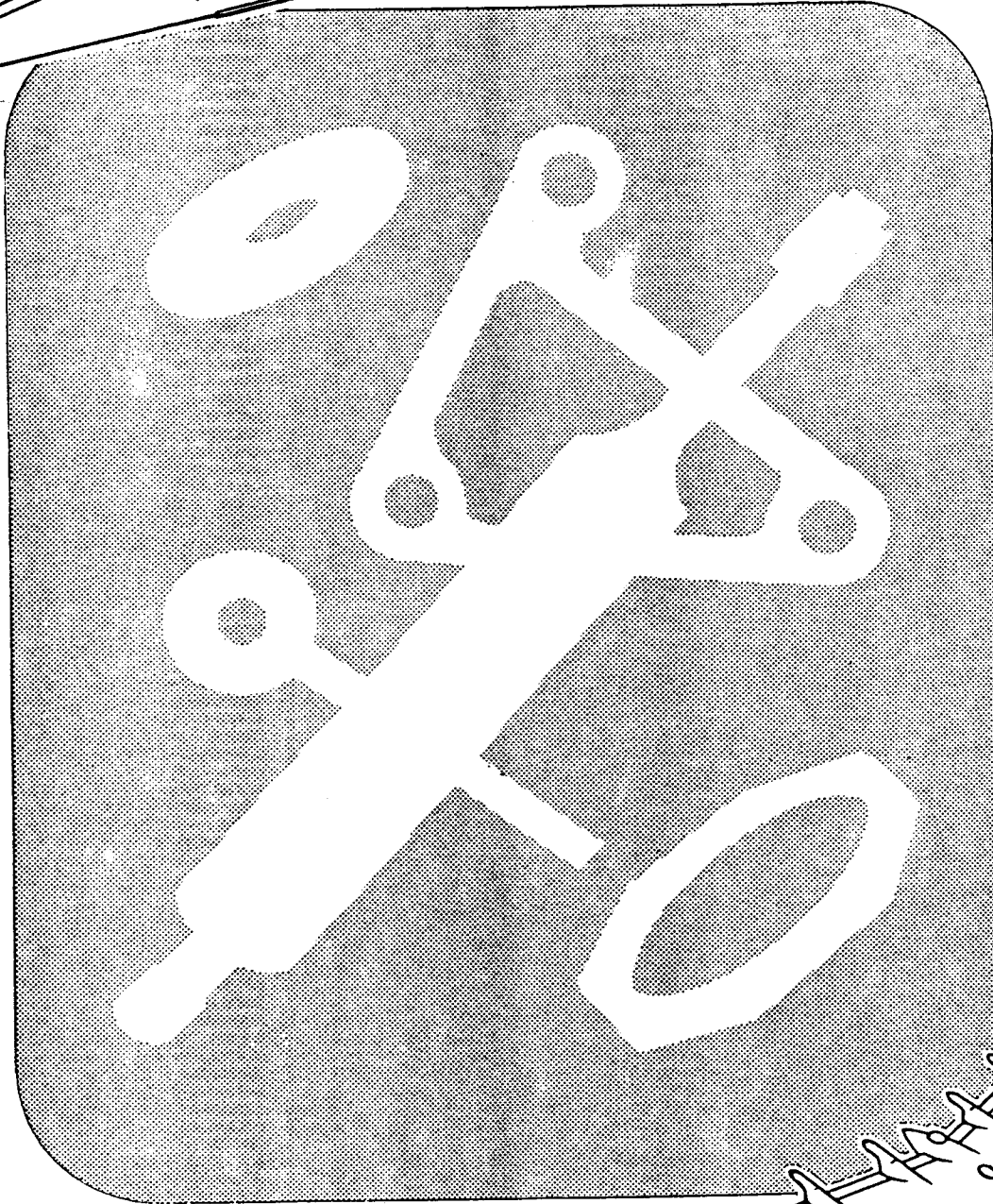
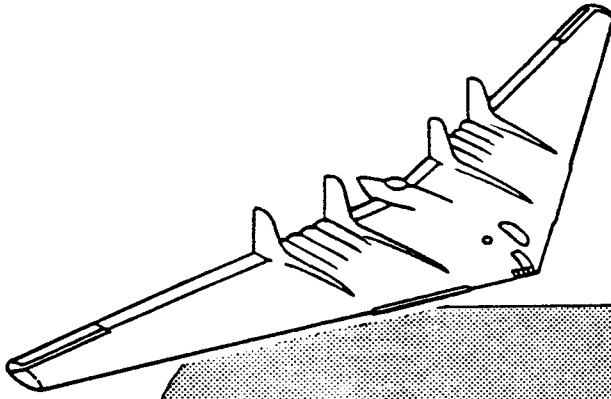
FIGURE 185—ENGINE CONTROLS

ENGINE CONTROLS

FIGURE & INDEX NUMBER	PART NUMBER	1	2	3	4	5	6	7	NOMENCLATURE	UNITS PER ASSEM	USAGE CODE
185 - 1	591000-30	Engine Controls	REF	W
	591000-50	Controls Installation—Power plant (For detail breakdown see page 13)	REF	U
	558873	Controls Installation—Power plant (For detail breakdown see page 13)	REF	W
	560568	Control Installation—Engine fan speed (For detail breakdown see page 171)	REF	U
	591000-10	Control Installation—Engine fan speed (For detail breakdown see page 171)	REF	X
	591000-20	Controls Installation—Power plant (For detail breakdown see page 197)	REF	X
	257536	Controls Installation—Power plant (For detail breakdown see page 197)	REF	X
	557572	Controls Installation—Power plant (For detail breakdown see page 267)	REF	DE
			Mechanism Installation—Power unit No. 1 throttle control	REF	DE
			(For detail breakdown see page 267)	REF	DE
	7	557266	Mechanism Installation—Power unit No. 2 (For detail breakdown see page 267)	REF	DE
	8	557532	Mechanism Installation—Power unit No. 3 (For detail breakdown see page 267)	REF	DE
	9	557571	Mechanism Installation—Power unit No. 4 (For detail breakdown see page 267)	REF	DE
	10	557570	Mechanism Installation—Power unit No. 5 (For detail breakdown see page 267)	REF	DE
	11	557569	Mechanism Installation—Power unit No. 6 (For detail breakdown see page 267)	REF	DE
	12	557568	Mechanism Installation—Power unit No. 7 (For detail breakdown see page 267)	REF	DE
	13	557567	Mechanism Installation—Power unit No. 8 (For detail breakdown see page 267)	REF	DE
14	557888	Unit Installation—Flight engineer's throttle control	REF	DE	
		(For detail breakdown see page 271)	REF	DE	
15	557189	Handles Installation—Pilot's throttle (For detail breakdown see page 269)	REF	DE	
15	557704	Shafts Installation—Crew nacelle station 191 throttle (For detail breakdown see page 269)	REF	DE	
17	557882	Cable Installation—Throttle control (For detail breakdown see page 267)	REF	DE	

SECTION III

NUMERICAL PARTS LIST



Section III
Numerical Parts List

RESTRICTED
AN 01-15EAA-4

PART NUMBER	FIGURE & INDEX NUMBER	TOTAL QTY	PART NUMBER	FIGURE & INDEX NUMBER	TOTAL QTY	PART NUMBER	FIGURE & INDEX NUMBER	TOTAL QTY
Attachment—Glide angle	141 - 8	1	ACO	119	1	AN3-13A	3	31
Ball—Steel .125 diameter	4 - 25	3	AG765-11	38 - 35	1	AN3-14A	3	8
Ball—Steel .1875 diameter	17	1	AM142(X)/A1C	130	1	AN3-15	84 - 36	2
Ball—Steel .437 diameter	51 - 20	1	AM26/A1C	130 - 9	2	AN3-16	33	6
Bell—Alarm	68 - 10	3	AN104B	137 - 10	1	AN3-16A	151	16
Bomb Sight	141 - 1	1	AN12-21	81 - 28	48	AN3-17A	117	4
Bracket	116	8	AN14-56	171	1	AN3-20A	152	4
Bracket Assembly	116 - 2	8	AN150-16S	92	8	AN3-21	51	4
Card—Airspeed correction	169	1	AN155-16L	164	23	AN3-22A	23	2
Card—Altimeter scale correction	169	1	AN155-16S	89 - 22	9	AN3-23	165	2
Card—Altimeter static correction	169	1	AN155-32L	143	20	AN3-25	84 - 33	1
Card—Temperature correction	169	1	AN155-46S	80	2	AN3-26A	23 - 18	1
Casing	81 - 29	3	AN155-8L	164	4	AN3-27A	125	2
Cylinder—Oxygen	87 - 91	27	AN155-8S	165	4	AN3-3	169	4
Door—Elevon	11 - 3	4	AN155-83	81 - 49	1	AN3-3A	107 - 3	11
Door Assembly—Center wing	28	1	AN155-85	164	4	AN3-30A	125	2
Door Assembly—Outer wing	3	2	AN161-16LS	31	2	AN3-32A	125	2
Flight Report	169	1	AN161-16RL	165	6	AN3-33A	169	1
Gage—Oxygen	67 - 15	1	AN161-16RS	165	2	AN3-37	86 - 63	1
Gear Box	93 - 6	2	AN161-22RC	164	1	AN3-4A	84	1
Generator	19 - 48	1	AN161-32LL	143	6	AN3-44A	87 - 42	1
Indicator—Airspeed	77 - 27	1	AN161-46LS	80	2	AN3-46A	33	1
Indicator—Tachometer	77 - 20	4	AN161-8RS	81 - 50	1	AN3-5	86 - 69	1
Indicator—Exhaust	76 - 54	4	AN21-10	165	2	AN3-5A	50 - 2	52
Indicator—Oxygen	67 - 14	1	AN21-18A	163	1	AN3-6	21	5
Indicator—True air speed	75 - 25	1	AN21-8A	164	1	AN-6A	14 - 10	94
Indicator—Phase sequence	53 - 22	1	AN210-1A	28 - 7	12	AN3-60	82 - 52	2
Intervalometer	55 - 15	1	AN210-2A	60 - 8	7	AN3-7	85	7
Jar—Glass	19 - 21	1	AN210-4A	12 - 8	6	AN3-7A	50 - 3	82
Lamp Assembly	52 - 24	26	AN210-5A	61	1	AN3DD16A	21	3
Leading Edge Assembly	17 - 1	2	AN22-14	28	1	AN3DD21A	80	2
Leading Edge Installation	17	NP	AN23-10	81 - 47	40	AN3DD23A	80	1
Light—Extension	52	3	AN23-10A	166	1	AN3DD40A	80	2
Marker	4	1	AN23-11	5	15	AN3DD57	88 - 84	1
Power Unit—Auxiliary	25 - 53	1	AN23-12	164	1	AN3H11A	92 - 43	1
Regulator	65 - 3	6	AN23-13	80	2	AN30-44	31	1
Resistor	55 - 13	1	AN23-13A	33	6	AN3021-7	53	9
Rheostat	63 - 3	4	AN23-14	165	3	AN3022-1	56 - 11	6
Signal—Warning	54 - 14	3	AN23-14A	165	2	AN3022-11	53	2
Structure Assembly	5	NP	AN23-15	18	6	AN3022-15B	56	1
Structure Installation	17	NP	AN23-15A	17 - 12	3	AN3022-2	19 - 43	50
Tank Installation	119 - 1	NP	AN23-16	85	4	AN3022-3	53	31
Transformer	19 - 27	6	AN23-17	18	1	AN3022-4B	56	1
Tube	81 - 30	3	AN23-17A	21	3	AN3022-7	56 - 24	33
Tube Assembly	87 - 92	8	AN23-18	18	3	AN3022-8	53	6
Valve—Shut-off	66	1	AN23-19	21	1	AN3022-9	53	2
AA20327	127 - 11	1	AN23-20	18	5	AN3023-1	76 - 6	1
AA20328	38 - 1	2	AN23-22	18	1	AN3023-10	55 - 3	3
ACO	109	7	AN23-22A	33	2	AN3023-2	54 - 2	9
			AN23-23	85	2	AN3023-3	75 - 45	3
			AN23-25	21	1	AN3023-3	53	9
			AN23-27	88 - 80	1	AN3027-2	160	2
			AN23-32A	87 - 26	1	AN3028-2	63	2
			AN23-9	164	3	AN3028-3	75 - 48	2
			AN24-10	19 - 8	2	AN3029-11	53 - 24	2
			AN24-11	19	2	AN3029-6	53 - 28	2
			AN24-11A	166	1	AN3029-9	8 - 7	4
			AN24-13	86 - 77	17	AN3030-9	6 - 2	2
			AN24-14	30 - 7	12	AN3033-10	63 - 12	3
			AN24-16	19 - 9	3	AN3037-3	19 - 41	6
			AN24-17A	11 - 7	4	AN3039-3	8 - 8	4
			AN24-20	29 - 55	4	AN3040-1	6	1
			AN24-21	38	2	AN3042-3	6	1
			AN24-21A	166	1	AN3042-4	63	2
			AN24-25	86 - 5	2	AN3044-1	55	80
			AN24-29	86 - 81	1	AN3054-3	34 - 40	7
			AN24-32A	49	4	AN3057-6	63	2
			AN24A7	120	30	AN3058-6	24	1
			AN25-12	38	2	AN3063-6	24	1
			AN25-13	80	2	AN3064-16	24	2
			AN2552-1	25	1	AN3064-6	24	2
			AN26-15	28	3	AN3066-6	34 - 39	5
			AN26-23	32	2	AN3093-2	63	2
			AN26-31	28	2	AN3093-3	63	2
			AN26-40	30	2	AN3093-4	63	2
			AN27-16	87	1	AN3095-3	8 - 11	1
			AN27-90	21	1	AN310-12	81 - 29	48
			AN28-18	171	4	AN310-3	5 - 35	36
			AN28-28	87	1	AN310-4	17 - 44	37
			AN280H304	33	5	AN310-4	31 - 28	20
			AN286-1	82 - 46	10	AN310-5	81 - 10	20
			AN3-10	21	8	AN310-6	83 - 27	4
			AN3-10A	39 - 7	100	AN310-7	81 - 23	83
			AN3-11	21	1	AN310-8	120	1
			AN3-11A	50 - 9	38	AN310C6	88 - 85	1
			AN3-12A	3	4	AN310D3	24	2
						AN3102-14S1P	24	2
						AN3102-14S1S	24	2

RESTRICTED
AN 01-15EAA-4

Section III
Numerical Parts List

PART NUMBER	FIGURE & INDEX NUMBER	TOTAL QTY	PART NUMBER	FIGURE & INDEX NUMBER	TOTAL QTY	PART NUMBER	FIGURE & INDEX NUMBER	TOTAL QTY
AN3102-18-1P	160	1	AN4-10	19 - 7	1	AN510-10-10	84 - 39	8
AN3102-22-14S	24	2	AN4-10A	86 - 97	51	AN510-10-30	163	1
AN3102-229S	24	2	AN4-11	5	15	AN515-10-12	133 - 13	12
AN3102-24-7P	24	1	AN4-11A	14	64	AN515-4R5	66	8
AN3120-1047	63	2	AN4-12A	86 - 59	89	AN515-6R2+	80	1
AN3121-313	8 - 9	60	AN4-13A	12	13	AN515-6R5	41	328
AN3122-1524	6	1	AN4-14	17 - 42	4	AN515-6R8	64	2
AN3125-1	63	5	AN4-14A	164	1	AN515-8R10	138 - 2	20
AN3124-307	40 - 16	2	AN4-15	88 - 23	1	AN515-8R12	134 - 12	91
AN3131-303	63	2	AN4-15A	5	7	AN515-8R14	63	31
AN3131-313	8 - 9	29	AN4-16	88 - 11	3	AN515-8R16	129 - 30	394
AN3133-311	19 - 42	119	AN4-16A	12	6	AN515-8R20	137	3
AN3136-323	63	23	AN4-17	12	5	AN515-8R6	129 - 29	4
AN3137-304	63	1	AN4-17A	61	2	AN515-8R7	139 - 3	22
AN315-3L	45	20	AN4-20	5	6	AN515-8R8	129 - 2	104
AN315-3R	17 - 16	44	AN4-20A	152	4	AN515B8R7	7	5
AN3151	19 - 28	1	AN4-22	12	6	AN520-10-10	164	5
AN3155-25-100	53	2	AN4-23	13 - 4	2	AN520-10-8	30	16
AN3155-25-11	53 - 29	3	AN4-24A	88	2	AN520-10R10	19 - 30	20
AN3155-25-125	53	4	AN4-25A	163	2	AN520-10R12	133 - 3	4
AN3155-25-25	53	2	AN4-26A	30	4	AN520-10R20	60	2
AN316-12R	5 - 19	1	AN4-33	168	12	AN520-10R6	38 - 7	6
AN316-4R	17 - 10	60	AN4-33A	50 - 19	5	AN520-10R7	136	8
AN316-5R	38	4	AN4-37	18	4	AN520-10R8	8	7
AN316-6R	159 - 44	2	AN4-4A	44	10	AN520-8R12	137	23
AN316-8R	29 - 53	1	AN4-42A	143	2	AN525-10-10	18	28
AN3160-10	52	14	AN4-5A	30	9	AN525-10-11	18	4
AN3160-15	53	5	AN4-6	30 - 25	1	AN525-10-12	15	96
AN3160-20	53	1	AN4-6A	44 - 2	30	AN525-10-16	42	4
AN3160-5	52	19	AN4-7	117	4	AN525-10-20	42	2
AN3161-10	56 - 8	4	AN4-7A	141 - 5	40	AN525-10-6	22 - 18	60
AN3161-15	56	1	AN4-73A	39 - 22	1	AN525-10-8	22 - 5	160
AN3161-20	56	1	AN4H4A	123	16	AN525-10-12	22 - 4	8
AN3361-35	56	2	AN4H5A	45 - 21	6	AN525-10-14	170	32
AN3161-5	56 - 16	14	AN4H6A	144	72	AN525-10-22	170	59
AN3166-1	76	1	AN4038-5	125	1	AN525-10-28	22 - 15	1
AN320-1	165	2	AN4044-1	49	3	AN525-8-11	163	3
AN320-10	18	9	AN4059-1	91 - 48	2	AN530-10-12	164	2
AN320-14	88 - 72	3	AN4102-1	91 - 47	3	AN530-10-18	164	4
AN320-2	28	1	AN415A	144 - 22	1	AN530-10R10	146 - 2	9
AN320-3	32 - 11	36	AN42-31	85	1	AN530-10R12	65	28
AN320-4	19 - 13	50	AN44-4A	61	4	AN530-10R14	67	8
AN320-5	38	2	AN44-5A	61	1	AN530-6R10	67	8
AN320-6	28	8	AN44-6A	61	1	AN530-8R10	139 - 11	47
AN320-7	21	3	AN46-12	117	2	AN530-8R6	10 - 14	98
AN320-8	87	1	AN486-1	86 - 92	18	AN530-8R8	8	29
AN3200-300	19 - 49	2	AN486-2	19	6	AN531-10R12	61	20
AN3201A300	53 - 21	3	AN486-4	165	3	AN531-10R14	61	5
AN3203V30	53 - 30	1	AN5-10A	14	19	AN531-6R8	8	15
AN3210-1	17 - 18	17	AN5-11A	45	8	AN531-8-10	8	16
AN3211-1	53	1	AN5-12	5	4	AN531-8R10	8	24
AN3216-1	76 - 73	2	AN5-13A	89 - 32	13	AN545-16-10	143	24
AN3226-2	56	1	AN5-14	5	4	AN5525-1	37 - 4	4
AN3227-3	56 - 6	3	AN5-20	21	1	AN5525-2	19 - 62	4
AN3380-1	24 - 34	8	AN5-21A	115 - 20	8	AN5530-2	53	1
AN34066	168	168	AN5-22A	81	4	AN5530-2A12	76 - 17	2
AN350-1032	42	2	AN5-23	21	1	AN5530-2A34	76 - 21	2
AN360-5	32 - 20	6	AN5-30	88 - 15	1	AN5532-1	76 - 14	1
AN364-1032	17 - 13	48	AN5-31A	86 - 37	1	AN5534-1	24	40
AN364-1614	87	1	AN5-4A	64	4	AN5536-2	76 - 24	2
AN364-428	4 - 6	103	AN5-42	82 - 36	1	AN5541-1	91 - 46	1
AN364-524	89 - 34	1	AN5-5	28	3	AN5730-2A	77 - 21	1
AN364-624	45	28	AN5-50A	61 - 8	1	AN5733-2	75 - 27	1
AN364-640	164	1	AN5-6A	146 - 9	32	AN5738-2	169 - 62	2
AN364-820	88 - 52	3	AN5-64A	88	1	AN5743-1	77 - 14	1
AN364D524	120	8	AN5-7A	12	11	AN5743-1A	75 - 12	2
AN365-1018	11 - 21	2	AN5-74A	152	1	AN5751-1A	7 - 1	1
AN365-1032	14 - 11	1182	AN500-8-10	141 - 10	3	AN5752-1	75 - 7	2
AN365-428	13 - 5	298	AN500-8-28	141 - 11	5	AN5753-1A	52 - 13	1
AN365-524	11 - 6	106	AN500AC516-6	18	4	AN5754-2	7 - 2	1
AN365-624	73 - 7	75	AN501-516-14	61 - 8	1	AN5756-2	52 - 16	1
AN365-632	86 - 26	165	AN502-10-6	164	2	AN5757-4	7 - 3	1
AN365-640	163	1	AN502-416-8	87 - 17	4	AN5760-2A	76 - 6	3
AN365-820	82 - 45	27	AN502-6-6	4 - 10	6	AN5761-1	76 - 28	2
AN365-832	129 - 4	705	AN503-10-14	169	8	AN5763-27	169 - 66	1
AN365-836	163	3	AN503-10-16	153 - 16	4	AN5765-2	37 - 3	11
AN365-912	61	1	AN503-10-8	5 - 31	1	AN5765-3	76 - 33	16
AN365B832	7	5	AN503-8-6	33	4	AN5769-1	23 - 26	2
AN380-3-3	81 - 11	2	AN503-8-8	66	44	AN5770-2A12	76 - 15	2
AN380-4-10	81 - 20	1	AN505-6R8	6	3	AN5770-2A34	76 - 20	2
AN386-2-11	38 - 10	2	AN507-1032-8	5	27	AN5771-4	86 - 25	1
AN392-39	36 - 27	1	AN507-832R14	131	4	AN5771-4B	29 - 1	2
AN393-23	33	1	AN507-832R18	131	4			
AN393-25	115	16						
AN394-15	143	12						
AN395-19	143	4						

Section III
Numerical Parts List

RESTRICTED
AN 01-15EAA-4

PART NUMBER	FIGURE & INDEX NUMBER	TOTAL QTY	PART NUMBER	FIGURE & INDEX NUMBER	TOTAL QTY	PART NUMBER	FIGURE & INDEX NUMBER	TOTAL QTY
AN5771-7A	75 - 22	2	AN6227B7	4 - 15	3	AN74-15	120	4
AN5772-1-12	76 - 11	1	AN6227B9	4 - 7	3	AN74-25	13	2
AN5772-1-34	76 - 15	1	AN6228-60	87 - 65	1	AN74-4	123	8
AN5772-2A	76 - 22	4	AN6228-70	83 - 43	1	AN74-5	13	2
AN5785-1	160 - 17	13	AN6229-60	87 - 63	1	AN74A12	120	4
AN5790-6	75 - 11	4	AN6229-70	83 - 44	1	AN74A13	5	3
AN5795-6	76 - 23	6	AN6230-2	86 - 17	1	AN74A3	120	88
AN5816-2	167 - 1	2	AN6230-52	83 - 7	1	AN74A4	120	104
AN5819-3	77 - 10	2	AN6230-7	39 - 24	3	AN74A5	82 - 61	233
AN5825-3	76 - 29	2	AN6230-9	13 - 41	2	AN74A6	121	56
AN5825T5	76 - 62	13	AN6231-17	86 - 15	1	AN742-12C	82 - 82	6
AN5831-1	77 - 25	2	AN6231-2	13	2	AN742-15C	82 - 87	2
AN5832-2	37 - 5	11	AN6231-3	159 - 39	1	AN742-17	59	1
AN5992-6Z3	139 - 3	1	AN6231-5	29 - 37	1	AN742-18C	92	1
AN6-12A	45	17	AN5231-55	87 - 67	1	AN742-22	139 - 10	1
AN6-13A	14	26	AN6231-65	83 - 54	1	AN742-24	112	2
AN6-14A	73 - 3	7	AN6231-9	13 - 36	1	AN742-26	112	20
AN6-15A	73 - 4	9	AN6232-1	86 - 14	1	AN742-26C	41	4
AN6-16A	21	9	AN6234-4	94 - 20	1	AN742-32	84	2
AN6-17A	73 - 13	1	AN6236-1	39 - 19	3	AN742-36	84	2
AN6-20A	73 - 2	17	AN6236-2	39 - 18	2	AN742-7C	10 - 13	123
AN6-21	73 - 2	1	AN6238-1	39 - 21	8	AN742-8C	82 - 83	9
AN6-23A	143	8	AN6240-1	38 - 17	3	AN742A4C	37	2
AN6-24	85	1	AN6246-1	4 - 31	1	AN742A7C	37	53
AN6-24A	80	4	AN6246-11	13	24	AN742D18	163	2
AN6-25	12	2	AN6246-12	159 - 37	2	AN742D23	36	6
AN6-26A	80	4	AN6246-14	4 - 37	6	AN742D26	36	2
AN6-30A	144	3	AN6246-18	159 - 38	2	AN742D26C	125	14
AN6-31A	45	6	AN6246-19	13 - 7	2	AN742D4C	137	15
AN6-33	85	1	AN6246-32	13 - 33	2	AN742D50C	67	1
AN6-34	81 - 9	2	AN6246-33	4	2	AN742D6C	7	110
AN6-43	82 - 13	1	AN6249-8	43 - 16	4	AN742D7C	37	23
AN6-44A	143	4	AN626D4625	116	8	AN742D8C	26	12
AN6-76	87 - 48	2	AN6264-12-912	116	8	AN748-22	119 - 14	19
AN6-80	87 - 52	1	AN6264-10D22	116 - 4	8	AN748-26	97 - 25	48
AN6003-6	58 - 5	14	AN6264-10D24	116 - 5	8	AN748-30	19 - 39	44
AN602-4	39	1	AN6264-12-762	116	8	AN748-38	117	6
AN6021-1A	58 - 1	12	AN6264-12-912	116	8	AN748-46	92	32
AN6024-2	65 - 6	1	AN6264-12D20	116	8	AN748-66	62 - 10	246
AN6029-1	58 - 2	14	AN6264-4-10	116	8	AN748-74	19 - 47	26
AN6033-1	10 - 2	15	AN6264-4-13.50	116	8	AN748-82	112	18
AN6034-1	10 - 3	8	AN6264-4-18	116	8	AN748-91	120	28
AN6036-1	10 - 4	17	AN6264-4-17.75	127 - 12	1	AN749-2-3	131 - 11	1
AN6041-1	58 - 6	7	AN6264-4-27	116	8	AN749-3-10	49	1
AN6207-10	107 - 11	4	AN6264-4-7.75	127 - 15	1	AN75-6	28	1
AN6207-4	38 - 30	3	AN6264-4-850	116	8	AN75-7	83 - 11	12
AN6217-6	82 - 69	2	AN6264-6-11	116	8	AN75A7	117 - 4	4
AN6218-1	49	2	AN6264-6-1225	116	8	AN7502-23	83 - 28	4
AN6218-2	49	2	AN6264-6-2050	116	8	AN7502-24	80	1
AN6220-16	127 - 4	1	AN6264-6-825	116	8	AN753A1	17 - 23	4
AN6222-4	127 - 2	1	AN6264-6-950	116	8	AN76-12	31	2
AN6220-8	127 - 8	4	AN6270-4-14	77 - 33	1	AN76-13	117	2
AN6223-16	127 - 5	1	AN6270-4-38	37	4	AN76-5	34	2
AN6223-8	127 - 9	1	AN6274-4-110	37	1	AN76A5	84 - 40	10
AN6225-60	87 - 64	4	AN6274-4-116	37	2	AN765-11	43 - 5	1
AN6225-70	83 - 42	4	AN6274-4-120	37	1	AN77-36	88 - 61	4
AN6226B14	4 - 36	6	AN6274-4-124	37	2	AN775-5D	23	1
AN6227-10	13 - 9	11	AN6274-4-126	37 - 17	1	AN775-6	29 - 60	3
AN6227-12	51 - 19	11	AN6274-4-128	37	1	AN778-6D	29 - 59	1
AN6227-13	38	19	AN6274-4-64	37	1	AN792-10D	97 - 27	4
AN6227-14	29 - 36	12	AN6274-4-65	37	2	AN8-12A	171	2
AN6227-15	23 - 17	2	AN6274-4-67	37	1	AN8-15	5	2
AN6227-16	159 - 40	1	AN6274-4-70	37	1	AN8-16A	88 - 54	3
AN6227-17	29 - 37	1	AN6274-6-30	4 - 49	2	AN8-17	81 - 22	48
AN6227-18	51 - 18	1	AN665-21L	45	20	AN8-27	45	6
AN6227-19	23 - 12	2	AN665-21R	17 - 47	21	AN8-31	45	4
AN6227-22	13 - 39	44	AN7-16	23	2	AN8-32	12	4
AN6227-24	159 - 43	2	AN7-55	83 - 26	2	AN8-52A	144	2
AN6227-29	44	1	AN73-15	13	2	AN8DD74	85	1
AN6227-33	23 - 13	7	AN73-30	125	8	AN8H6	115	32
AN6227-4	29 - 25	2	AN73-31	121	10	AN8008D8	169	8
AN6227-7	13 - 49	28	AN73-4	153	16	AN8021-1	169 - 42	1
AN6227-72	45 - 8	1	AN73-5	123	12	AN804D6	82 - 74	1
AN6227-75	83 - 8	1	AN73-6	13	2	AN806D5	10 - 12	8
AN6227-8	51 - 21	11	AN73A11	82 - 60	6	AN806D6	19	1
AN6227-9	13 - 43	21	AN73A7	84	4	AN809-1	29 - 10	4
AN6227A11	5	16	AN74-11	120	12	AN812-1	29 - 11	3
AN6227B1	4 - 32	1	AN74-13	88 - 59	4	AN813-1A	86 - 21	1
AN6227B11	4 - 13	15				AN813-1	29 - 16	2
AN6227B12	159 - 41	1				AN814-4	13 - 48	1
AN6227B14	13	2				AN814-6D	23	1
AN6227B18	159 - 42	1				AN814-8	49	1
AN6227B19	13 - 38	1				AN814-8D	38 - 44	5
AN6227B25	4 - 18	2				AN815-10	5 - 45	11
AN6227B27	86 - 16	1				AN815-10D	82 - 78	6
AN6227B32	13 - 32	1				AN815-12	44	3

RESTRICTED
AN 01-15EAA-4

Section III
Numerical Parts List

PART NUMBER	FIGURE & INDEX NUMBER	TOTAL QTY	PART NUMBER	FIGURE & INDEX NUMBER	TOTAL QTY	PART NUMBER	FIGURE & INDEX NUMBER	TOTAL QTY
AN815-12D	49 - 13	1	AN837-12D	49	1	AN893-12	49	1
AN815-16	168	10	AN837-6	86 - 90	2	AN893-12D	23	2
AN815-16D	38	8	AN837-6D	113	3	AN893-18D	44	2
AN815-2D	37	2	AN837-8	49	1	AN893-2D	44	1
AN815-20	37	10	AN838-8D	51	1	AN893-3	44	1
AN815-20D	44	1	AN840-12	117	2	AN893-3D	39	1
AN815-32	9	3	AN840-17	92 - 6	2	AN900-10	91 - 50	3
AN815-4	9	4	AN840-20D	125	5	AN900-16	33	3
AN815-4D	29 - 15	19	AN840-21D	113	4	AN900-3	97	1
AN815-5D	10 - 7	16	AN840-25D	112	51	AN901-12C	82 - 57	1
AN815-6	4 - 50	3	AN840-4	97 - 40	4	AN901-4A	26	4
AN815-6D	82 - 66	8	AN840-4D	19	2	AN901-5A	29 - 12	9
AN815-8	13 - 12	18	AN840-6	26	2	AN901-6	49	1
AN815-8D	44	2	AN840-6D	113	5	AN901-6A	29 - 61	2
AN816-2	37	1	AN842-12	117 - 21	1	AN902-10	5 - 46	11
AN816-4	9	25	AN842-24D	113	3	AN902-12	50 - 32	8
AN816-4D	37 - 19	20	AN842-25D	125	4	AN902-16	38	13
AN816-5-4D	65	86	AN842-6	26	5	AN902-20	38	7
AN816-5D	67	1	AN842-8	92 - 20	3	AN902-4	50 - 23	39
AN816-6-2D	19	2	AN844-20D	113	2	AN902-6	29 - 14	15
AN816-6D	44	6	AN844-25D	125	4	AN902-8	13 - 11	10
AN818-4	26	4	AN846-1	86 - 95	2	AN909-16	82 - 56	1
AN818-6D	19	5	AN846-24D	112	3	AN909-20	33	1
AN819-4	26	4	AN848-21D	113	2	AN910-1	113	3
AN819-6Z	19	2	AN848-24D	113	6	AN911-1D	50 - 30	1
AN820-6	82 - 77	3	AN849-24D	112	2	AN911-10D	113	5
AN821-32	9	3	AN849-6D	26	2	AN911-2D	113	4
AN821-5D	67	1	AN855A2A	37 - 7	17	AN912-13	26	2
AN822-2	37	1	AN855A4A	37 - 8	17	AN912-7	97 - 41	2
AN822-20	76	16	AN856A4A	75 - 17	16	AN912-9	26	6
AN822-4	9	59	AN863-6-34	86 - 85	2	AN914-1D	37	5
AN822-4D	19	11	AN865-524	61 - 9	1	AN914-2D	10 - 11	1
AN822-5D	67	2	AN878-10-12	117 - 25	1	AN916-1D	37 - 20	8
AN823-10	92	1	AN878-12-56	117 - 26	1	AN916-6D	49	1
AN823-4	26	4	AN878-16-12	117 - 23	2	AN917-1D	19	2
AN823-4D	76	5	AN878-4-15	108 - 10	1	AN917-10D	113	4
AN823-5D	67	2	AN878-4-8	43	1	AN917-2D	113 - 12	7
AN823-6D	113	3	AN878-48-13	43 - 4	1	AN918-1D	58 - 15	2
AN824-12	44	1	AN878-6-12	117 - 27	1	AN919-10D	49	1
AN824-12D	49	1	AN878-8-12	117 - 24	4	AN919-12	86 - 93	4
AN824-16	168	2	AN884-16-15	119	8	AN919-13D	39	1
AN824-16D	82 - 86	1	AN884-20-12	125	1	AN919-14D	82 - 64	1
AN824-4	9	56	AN884-20-13	125	3	AN919-15	49	3
AN824-4D	38 - 26	6	AN884-20-15	113	4	AN919-19	13 - 53	3
AN824-5D	10 - 8	34	AN884-20-18	125	1	AN919-19D	44	1
AN824-6D	82 - 73	1	AN884-20-56	113	1	AN919-20D	45 - 17	3
AN825-4	168 - 26	2	AN884-20-64	113	2	AN919-5	49 - 14	1
AN825-4D	36	2	AN884-24-12	125	7	AN919-6D	29 - 13	6
AN825-5D	65	3	AN884-24-13	125	12	AN919-9	44	1
AN825-54	58 - 13	2	AN884-24-14	123 - 21	53	AN924-10	78 - 9	10
AN826-4D	19	5	AN884-24-15	62 - 6	84	AN924-10D	50 - 26	8
AN826-5D	58 - 12	6	AN884-24-16	125	6	AN924-12	44	1
AN826-6D	44	1	AN884-24-160	110 - 23	2	AN924-12D	50 - 33	6
AN827-5D	10 - 10	11	AN884-24-18	113	2	AN924-16D	38	3
AN827-8	49	1	AN884-24-20	124	2	AN924-20D	38	2
AN832-10	97 - 38	3	AN884-24-22	125	1	AN924-24D	112	4
AN832-10D	17	1	AN884-24-23	113	2	AN924-4	44	6
AN832-12	44	1	AN884-24-24	125	2	AN924-4D	29 - 63	23
AN832-12D	44	2	AN884-24-27	113	9	AN924-6	5 - 43	12
AN832-16	168	2	AN884-24-272	111 - 24	2	AN924-6D	29 - 35	13
AN832-20D	45	1	AN884-24-28	125	2	AN924-8	13 - 10	11
AN832-4	49	1	AN884-24-29	124	4	AN924-8D	44	4
AN832-4D	23	4	AN884-24-33	113	2	AN925-16	41 - 17	1
AN832-6	86 - 87	3	AN884-24-36	62 - 8	1	AN925-4D	38 - 34	1
AN832-6D	17	17	AN884-24-49	113	2	AN925-6D	44	1
AN832-8	49	7	AN884-24-51	113	2	AN925-8	168 - 15	12
AN832-8D	49	1	AN884-24-60	113	1	AN926-10	168 - 12	1
AN833-10	78 - 6	3	AN884-32-12	125	1	AN926-12	38 - 25	7
AN833-10D	78 - 7	3	AN884-4-12	109	2	AN926-12D	38 - 24	2
AN833-12D	50 - 31	2	AN884-4-15	110 - 21	16	AN926-16	168 - 13	6
AN833-16D	127	1	AN884-4-18	109	2	AN926-16D	168 - 24	2
AN833-20D	44	1	AN884-4-19	119	1	AN926-20	44	1
AN833-32	9	2	AN884-4-20	109	4	AN926-20D	49	1
AN833-4	108 - 5	5	AN884-4-22	119 - 11	1	AN926-4D	49	1
AN833-4D	29 - 62	5	AN884-4-25	119 - 16	1	AN926-6D	82 - 65	2
AN833-6	84 - 6	3	AN884-4-26	119	1	AN926-8	168 - 10	2
AN833-6D	23	5	AN884-4-30	119 - 9	2	AN926-8D	49	1
AN833-8	49	2	AN884-4-50	119	1	AN927-16D	127	1
AN833-8D	51	1	AN884-6-13	113	5	AN927-4	49	1
AN834-10D	50 - 24	1	AN884-6-14	26 - 13	3	AN927-4D	37	5
AN834-4	44	1	AN884-6-15	113	6	AN927-8	49	1
AN834-4D	29 - 65	2	AN884-6-16	26 - 20	1	AN928-16D	38	1
AN834-5D	65	3	AN884-6-22	26 - 11	1	AN928-8	127	1
AN834-6D	23 - 22	1	AN884-6-56	113	3	AN929-5	10 - 9	4
AN837-10	78 - 4	2	AN884-6-66	26 - 24	2	AN931-12-17	97	1
AN837-10D	78 - 5	2	AN889-2	6	1	AN931-16-22	134 - 7	1
						AN931-6-16	137	1

Section III
Numerical Parts List

RESTRICTED
AN 01-15EA-4

PART NUMBER	FIGURE & INDEX NUMBER	TOTAL QTY	PART NUMBER	FIGURE & INDEX NUMBER	TOTAL QTY	PART NUMBER	FIGURE & INDEX NUMBER	TOTAL QTY
AN931-8-13	97	1	A4932G024	110 - 4	7	CH8884K3	55 - 7	8
AN931-8-20	97	1		111 - 4		CH8886K1	53 - 15	1
AN935-10L	38 - 6	13		120		CH8888K1	53	2
AN935-4L	66	8		121 - 5		CH9565H1	24 - 36	2
AN935-6L	168	168		122 - 4		CP200	59 - 50	5
AN940-416	170	2		124			67 - 42	
AN95	137 - 1	1	A4932G032	112 - 9	3	CR1070C103B3	89 - 5	1
AN960-10	18	26		120		CR1070D112C3	153	2
AN960-10C	117	4	A5934-1	19 - 25	1	CR1070F116E	53 - 40	8
AN960-10L	142 - 16	16	A6-43-7M3	25	1	CR1070F116M	53	1
AN960-116	41	4	A6242-10Z051-3	163	2	CR2780C104A2	25 - 34	2
AN960-1216	49	1	A7609	88 - 49	1	CR2791B100F3	25	2
AN960-1216L	17 - 38	2	A7610	80 - 6	1	CR2791B109K3	53	16
AN960-416	30 - 9	64	A7611F	28 - 8	1	CR2927D100A1	19 - 55	4
AN960-416C	117	8	A7611R	28 - 9	1	CR2927D100J12	24 - 10	6
AN960-416L	4 - 8	31	A7612S	31 - 23	1	CR2927D100J13	24 - 11	6
AN960-516	115 - 21	64	A7612T	31	1	CR2927D100J4	25	1
AN960-616	115 - 25	10	A7613	160 - 24	6	CR2992A101A2	19 - 64	1
AN960-716	23	2	A82-593	52 - 5	6	CR2992A101A4	24 - 12	6
AN960-816	115 - 17	60		53 - 44		CR2992A103A2	40 - 20	2
AN960A10	22 - 6	55		54 - 12		CR2992A104A5	91 - 39	2
AN960A10L	17	41		55 - 17			95 - 49	
AN960A1216L	21	2	A852	56	1	CR2992A104A7	91 - 40	2
AN960A416	21	143	A896RSN	24 - 26	2		95 - 50	
AN960A416L	19 - 12	109		24 - 31		CR2992A105A1	8 - 3	1
AN960A512L	120	8	BC1033()	131 - 3	1	CR2992A107A1	19 - 63	2
AN960A516	31 - 29	13	BC1333	131	1	CR2992B100A4	24 - 9	6
AN960A516L	28	8	BC348	133 - 22	1	CT8093	59 - 31	1
AN960A616	28	24	BC453	134 - 8	1	CT8094	59 - 26	1
AN960A616L	73 - 7	12	BC461	137 - 24	1	CT8096	59 - 32	1
AN960A8	66	34	BC473A	134 - 1	1	CT8098	59 - 29	1
AN960C10	28	74	BC732	135 - 1	1	CU24/ART13	133 - 20	1
AN960C10L	21	181	BC733	135 - 6	1	CU92/APN	140 - 8	1
AN960C416	29	31	BC733D	135	1	CYLD2269	52 - 17	2
AN960C416L	33	18	BC788()	138 - 1	1	CYLZ2315	52 - 27	15
AN960C516	21	7	BC958A	136	1	C10127	66	1
AN960C6	163	3	BC965A	136	1	C383(XA)/A1C	130	2
AN960C616	171	52	BC966A	136	1	C385(XA)A1C	130	5
AN960C8L	33	4	BC966B	136 - 1	1	C389(XA)/A1C	130	3
AN960C816	171	2	BDS1354A	52 - 22	22	C404(XA)1A	129-1	1
AN960D10	19 - 31	1006		63 - 6		C410(XA)/A	136 - 15	2
AN960D10L	74	34		64 - 11			135	
AN960D1016L	14 - 15	2		52 - 23		C616	153 - 15	1
AN960D1716	49	1	BDS1354B	63 - 8	19	C70BP-1	76 - 55	8
AN960D4016	41	3		64 - 12		DM32A	134 - 9	1
AN960D416	17 - 43	540		68 - 14		DR2446	147 - 27	4
AN960D416L	151	16	BK22K	132 - 9	1	DR2479	147 - 26	4
AN960D516	46	55	BYLE2292	63	1	DS0	156	1
AN960D6	41	162	BYLZ2292	53 - 45	1	DY17/ART13	133 - 1	1
AN960D616	73 - 5	43	BZ-RQ95	153 - 35	11	DY21()/ARC3	129 - 15	1
AN960D616L	143	8		155		DY22()/ARC3	129 - 16	1
AN960D716	108 - 6	7		157 - 7		D2163-2	30 - 3	1
AN960D8	129 - 3	305	BZ-R31	25	8	D2164-2	148 - 4	4
AN960D916	41	7		80 - 30			148 - 10	
AN970-10	169	6		80 - 35		D400	80 - 13	1
AN970-3	17	27		88 - 77		D400AH1	88 - 97	1
	133 - 5			163 - 17		ENA100	52 - 14	1
AN975-3	38 - 11	2	BZ3YT	19 - 4	17	EX68077AA	98 - 25	2
AS215/ARN	131 - 1	1		80 - 24			98 - 44	
AS27()/ARN5	137 - 19	1		80 - 29		E3160MO	157	2
AT4/ARN1	137	2		86 - 42		E8051	38 - 27	4
AVR10	40 - 10	7		88 - 78			44 - 8	
	53 - 12		BZ7RQ1T	153 - 32	2		49 - 24	
AW17/3-17CZ	49 - 5	1	B00-19438	44 - 4	1		51 - 1	
AW17-817DA	75 - 23	4	B10-504	19	1	E8543L	5 - 16	1
AYLF2199	66	2	B111745X	17 - 30	1	E8545R	5	1
AY62801-3	76 - 56	8	B303	8	1	E8971	13 - 7	1
A1140-3	19 - 20	1	B304	19 - 61	1	FB2	110 - 26	2
A12198	87 - 88	1	B310	24	1	FB4	113	12
A16270-4-14	19 - 54	1	B36346	94 - 8	1	FCA15429	112	22
A1778-8Z3	139 - 12	1	B38	93 - 7	16	FCA15430	112	8
A1779-10Z3	169	5		96 - 4			122 - 11	
A216	135-15	1	B5A	54	2		123	
A2981A56	59 - 10	1	B5B	24	1	FCA15432	122 - 22	5
A302	19	1	B7118-1	110 - 3	3		123	
A306	19	1		111 - 3			124	
A3106	169 - 38	2		112 - 5		FCA15433	112	1
A3122-18-59	59	3	B7776	120 - 5	13	FCA15434	112	3
A3122-1829	116 - 8	2		120 - 7			121	
A3122-32-59	59 - 14	6		121 - 3		FCA15652	112	2
	67 - 37			122 - 3			123	
A3122-48-59	59 - 11	20		123 - 5		FCB15296	122	62
	67 - 33			124 - 4			121	
A3122-64-59	59 - 2	3	CCA1500	107 - 6	1		124	
A4932GE32	120	2	CD365A	132 - 24	1	FCB15810	112	3
A4932GF24	123 - 6	1	CH8882K3	55 - 11	16			

RESTRICTED
AN 01-15EAA-4

Section III
Numerical Parts List

PART NUMBER	FIGURE & INDEX NUMBER	TOTAL QTY	PART NUMBER	FIGURE & INDEX NUMBER	TOTAL QTY	PART NUMBER	FIGURE & INDEX NUMBER	TOTAL QTY
FCB16476	123	30	GX3145A1	158 - 35	4	L545-30B	79 - 3	1
FCB8630	121	17	GX3145B1	52 - 11	1	L546-42	40 - 26	6
	122		GX3145J1	52 - 12	1	L546-42B	40	4
	123		GX3145K1	155 - 2	1	L546-46	40	6
	124		GX3145M1	52 - 15	1	L546-46B	40	4
FCC20064	121	4	G1057A3CA4	19 - 59	2	L546-50	40	6
	122		G1066A1	63 - 1	1	L546-50B	40	4
	123		HN-RNN12	103 - 19	1	L546-54	40	6
	124		H021000001	118 - 3	1	L546-54B	40	4
FCC20066	122	5	H022000000	115 - 6	8	MC137	132 - 14	2
	123		H056000000	115	8	MC163	137	2
	124		H3-252M	87 - 90	1	MC203	132 - 10	1
FCC20068	121	1	H39G5332	142 - 1	20	MC211A	134 - 6	2
FCC20069	123	1	H41D7019	77 - 17	1	MC215	137 - 28	1
FCC20073	122	8	H41D7020	75	1	MC2711	17 - 19	80
	124		H42A8107	53	2		25 - 7	
FCC20106	123	1	H42B10666	169 - 18	1		31 - 47	
FCC20345	121	4	H43D4316	130 - 3	2		52	
	122		H43G8688	77 - 24	1		80 - 25	
	123		H4600-032-064	73 - 11	1		80 - 31	
	124		H4650-081-281	60 - 6	1		80 - 38	
FCC20346	122	3	H6081D1.8-032	73 - 10	1		86 - 67	
	123		IA7904-0	19	2		88 - 75	
	124		IN83	137	400		88 - 89	
FCC20347	122	2	IN85	137 - 42	1		152 - 10	
	124		152()	138 - 8	1		159 - 48	
FCD10732	121	4	JJ367	59 - 16	1		163 - 18	
	122		JJ398	43 - 3	1	MC2711B	25	2
	123		JX51	169	2		17 - 25	
	124			169 - 50		MC7000A	147	4
FCD20069	122	2	JX55F	169	2	MC7711	86 - 44	2
	124			169 - 51		MD2721	160 - 12	4
FCD20082	121	1	J35A15	116	8	MT164, ART13	133 - 2	1
FCD20344	122	3	J37	133 - 25	1	MT203/APN	140 - 2	1
	124		J68()/ARC3	129 - 14	1	MT236()/ARC3	129 - 17	1
FC187	165 - 6	3	K-F7137-40	56 - 30	1	MT237A()/ARC3	129 - 21	1
	164 - 8		KP4A	33 - 19	1	MT238(A)/ARC3	129 - 19	1
FR51-375	41 - 4	2	K1015947-30	53 - 20	2	MT28()/ARN5	139 - 2	1
FT154	133 - 23	1	K1170B	114 - 23	4	MT28ARN5	130 - 10	2
FT161	131 - 4	1	K1440B	106 - 33	8	MT283	133 - 11	1
FT2134	132 - 2	1	K15954E	169 - 2	1	MT284	133 - 12	1
FT231A	134 - 11	1	K1625B	117 - 18	1	MT306-6	164 - 9	12
FT233A	134 - 10	1	K1625B-A	110 - 5	8		165 - 7	
FT235A	134 - 2	1		111		M2029	169 - 35	12
FT247	136 - 2	1		112 - 15		M264-40GES	169 - 34	6
FT248A	136	1		120 - 26		M359	131 - 2	1
FT292	135 - 2	1		122 - 9		M359A	137	2
FT293	135 - 7	1		121 - 7		N-307	187 - 1	1
FT345A	136	1		123 - 8		N-310-2	188 - 1	1
F1L10	40 - 4	84		124 - 5		N-314	187 - 2	1
	53		K4A	35 - 29	1	N-315	187 - 3	1
	171		K6931-1	91 - 55	2	N-319-10	188 - 2	1
F1L20	8	66	K6931-2	91 - 56	3	N-319-4	188	1
	53			95 - 57		N-319-6	188	1
	55 - 25		K7137-16	18 - 11	1	N-319-8	188	1
	171		K7137-17	18	1	N-320	188 - 3	1
F1L30	8	134	K7137-20	99 - 4	1	N-323	188 - 5	1
	19		K8AR4	116	1	N-324	188 - 6	1
	53		K8705113	160	2	N-325	188 - 7	1
	68 - 7		LA1489	108 - 14	1	N-329	188 - 9	1
	171		LA7-3143-1	44 - 13	1	N-330	188 - 10	1
F1L40	19	73	LP31A	137 - 5	1	N-330-1	188	1
	24		LY11024	40 - 8	2	N-331	187 - 4	1
	53		LY11024B5G1	24 - 19	2	N-332	187 - 5	1
	54		L219AA1.50-60	66 - 25	1	N-336	188 - 4	1
	68 - 3		L219AA3.00-130	66 - 26	1	N-344	187 - 6	1
	171		L219AA3.00-150	66	1	N-345	187 - 7	1
F1L50	19	162	L219AA3.00-160	66 - 27	1	N-348	187 - 8	1
	40 - 5		L507-17	91	1	N-348	187 - 9	1
	53		L507-7	95 - 43	1	N-355	187 - 10	1
	171		L508-17	25 - 42	2	N-356	187 - 11	1
F1L60	40 - 6	45	L508-61	25 - 37	2	N-357	187 - 12	1
	64		L509-17	79 - 2	2	N-358	187 - 13	1
	68		L509-25	79 - 1	2	N-359	187 - 13	1
	171		L541-25	79 - 4	1	N-360	187 - 14	1
F21/ARA9	130	2	L541-30	79 - 5	1	N-361	187 - 15	1
F3H1	19	97	L542-53	40	13	N-362	187 - 16	1
	40 - 2		L542-53B	40	13	N-364	187 - 17	1
	55 - 24		L542-56	40	13	N-365	187 - 18	1
	68 - 6		L542-56B	40	13	N-408	188 - 8	1
F3H2	40 - 3	71	L542-61	40	13	NAF215395-1	19 - 40	6
	53		L542-61B	40	13	NAS11-5-2.875	19 - 6	1
	54		L542-66	40	13	NAS111-10-6.1	31 - 25	1
	64		L542-66B	40 - 25	13	NAS111-9-8.8	74 - 29	2
	68		L543-4	116 - 14	1	NAS113-9.13	89 - 30	1
F342	68 - 2	6	L545-30	79 - 6	1	NAS113-9.53	89 - 29	1

Section III
Numerical Parts List

RESTRICTED
AN 01-15EAA-4

PART NUMBER	FIGURE & INDEX NUMBER	TOTAL QTY	PART NUMBER	FIGURE & INDEX NUMBER	TOTAL QTY	PART NUMBER	FIGURE & INDEX NUMBER	TOTAL QTY
NAS116-10-1.875	74 - 6	1	NAS98-1-15.22	86 - 75	1		77 - 40	
NAS116-10-2.375	74 - 8	1	NAS98-1-25.96	86 - 76	1	R2S1032	169 - 3	
NAS116-10-3.063	74 - 5	2	ND12B	169 - 60	1	R222G	99	8
NAS116-10-8.188	74 - 17	1	ND21	55	1		91 - 49	2
NAS118-2519	89 - 28	1	ND47E	25 - 6	7		95 - 53	
NAS146-4-4	87 - 12	4		53		R4360-45	95 - 21	1
NAS148-57	86 - 38	1		56		R4360-47	91 - 18	1
NAS148-81	82 - 44	1	NS43A	24 - 35	19	R47/ARN5	139	1
NAS148-84	82 - 43	1		24 - 40		R5/ARN7	132 - 1	1
NAS152-51	87 - 10	3		39		R65/APN9	140 - 1	1
NAS152-56	87 - 14	1		52		R66-50-35	155 - 4	4
NAS205-9	3	42		54			155 - 6	
NAS205-10	169	4		55		R6931-3	95 - 63	2
NAS205-14	61	14	NS47E	19	16	R72B0-35	158 - 34	2
NAS205-16	171	4		52		R77A/ARC3	129 - 20	1
NAS205-18	169	10		53		R85380	93 - 5	2
NAS206-10	3	47		54			96 - 2	
NAS206-11	3	23		55		R89/ARN5A	139 - 1	1
NAS206-12	3	7	NS47EK	24	9	R911SB14	61	1
NAS206-16	169 - 6	2		52		SAZ6/U	130	2
NAS206-17	169	8		54		SA31A	136 - 9	1
NAS21-1-6	136 - 20	6	NTM	142 - 7	1	SA3005-88	49 - 18	1
NAS21-1-8	135	6	NTM-X148E	142 - 10	1	SA4521-16	117	4
NAS221-10	74	19	N05	35 - 43	1	SA4534	92 - 3	3
NAS221-11	129 - 22	23	N220	57 - 9	1		97 - 3	
NAS221-12	129 - 23	19	N35913-4	118 - 6	1		117 - 3	
NAS221-13	19	2	N35913-8	118 - 7	1	SA4535	92 - 2	3
NAS221-21	169	2	PA15	19	5		97 - 3	
NAS221-22	169	8	PA35	24	3		117 - 2	
NAS221-8	136 - 3	48	PA5	19	16	SA4540	106 - 34	4
NAS221-9	131 - 5	10	PG7000A3	19 - 50	2	SA46/ART13	133 - 21	1
NAS24-4	26 - 8	6		24 - 24		SA47A/A1C	130 - 12	4
NAS27-4	26 - 5	6	PK77XZ4-10	8 - 10	10	SK1087	25 - 12	2
NAS35	15 - 1	10	PLA105	24	3	SK2219	38 - 37	5
NAS43-10-104	33	2		53		SK2220	38 - 38	4
NAS43-14-264	88 - 71	1	PLA35	53 - 8	4	SK38003	94 - 2	1
NAS43-3-25	129 - 28	2	PLA50	24	4	SK82-632	25	2
NAS43-3-4	169	2		53 - 9		SP10-2144-75A	120 - 23	20
NAS43-3-8	169	1	PLA80	53	1	SP9-1745-2	125 - 2	4
NAS43-4-32A	44	2	PL274	137	1		125 - 18	2
NAS43-4-5	35 - 32	2	PS125	139 - 13	1	STDS-X1	169 - 68	2
NAS45-6-8	136 - 19	2	P104-15	61 - 14	1	ST1303	169 - 22	5
NAS45-8-1	137 - 17	1	P104-17	61	1	SZ577-3	132 - 7	3
NAS45-8-15	135	1	P106-1	61 - 15	2	S1KDD7	153	7
NAS45-8-5	129 - 5	3	P107-1	61 - 16	2	S3KDD	153	1
NAS50-175	86 - 52	1	P222-10-6400	94 - 7	1	S101301-14-250	87	2
NAS50-187	38 - 14	2	P222-10-6800	94 - 6	1	S1032	42	8
NAS50-200	35 - 24	3	P222-12-1100	94 - 4	1	S1145A	106 - 35	2
NAS50-262	23 - 7	1	P222-12-4000	94 - 5	1	S1171247	24 - 3	1
NAS50-62	33 - 32	6	P4274897GR1	147 - 2	5	S3-250	172 - 2	2
	153			147 - 4			172 - 6	
NAS50-68	88 - 103	1	P8464378	100 - 11	8	S46G2938	75 - 10	1
NAS50-75	35 - 31	1	P9063166G1	58 - 8	1	S5K	35 - 7	2
NAS50-87	153	1	P9063526	169	3	S62897B	99 - 19	2
NAS51-100	34	4		169 - 37		S64188B	22 - 10	1
NAS51-106	89 - 15	1	QG192A1	61 - 29	5	S64230C	21 - 48	1
NAS51-125	152	3	QG194A1	19 - 51	2	S64290C	22 - 8	1
NAS51-175	152	4		24 - 23		S64293C	22 - 9	1
NAS51-18	74 - 30	2	QS100M16	106 38	60	S64452C	21	1
NAS51-31	33 - 31	4	QS100M20	113	12	S64559B	30 - 18	1
NAS51-43	86 - 47	2	QS100M24	106 - 36	168	S64797C	42 - 18	1
NAS51-50	160	1		110 - 24		S64807D	42 - 20	1
NAS51-56	85 - 10	6		111		S64809D	42 - 21	1
NAS51-59	33 - 14	1		113		S64811	42 - 23	1
NAS51-75	35 - 11	7	QS100M28	100 - 25	8	S64813D	42 - 24	1
NAS51-87	34 - 35	3		120		S65929B	99 - 5	1
NAS53A10	151	8		111		S65937B	49 - 6	1
NAS54-10	12	4		120		S67129C	22 - 16	1
NAS54-14	61	1	QS100M32	106 - 37	42	S67353B	18 - 5	1
NAS54-7	12	4	QS100M48	41	8	S67356B	18 - 6	1
NAS54A11	151	8	RBC14	87 - 87	2	S68764B	36 - 2	1
NAS54A13	151	8	RBC4	31 - 19	1	S69568C	36 - 28	1
NAS55A11	61	2	RBC7	87 - 82	2	S69569C	36 - 29	5
NAS55A57	11 - 18	2	RBC9	88 - 20	1		36 - 36	
NAS56-24-5	13	1	RC31AE105M	134 - 15	1	S69570C	36 - 30	4
NAS56-30-5	13	1	RC40	34 - 42	1		36 - 37	
NAS58-27	5	1	RE3F4	163 - 13	2	S69571C	36 - 31	1
NAS58-31	5	1	RE50(XA)/A1C	130	1	S69572C	36 - 32	2
NAS60A37	11 - 19	1	RG7002A	63 - 2	5		36 - 39	
NAS70A209-438	67	13	RL42B	137 - 29	2	S69573C	36 - 33	1
NAS75-3-008	29 - 34	2	RL64S1311	61	1	S69574C	36 - 38	1
NAS75-3-013	33	2	RS125	135 - 14	1	S699575C	36 - 40	1
NAS94-275	69 - 21	1	RS2	55 - 18	4	S69576C	36 - 41	1
NAS94-475	69	1	RU401-10-21	127 - 6	1	S7KDD	33 - 45	4
NAS94-512	69 - 17	1	RU401-10-35	127 - 14	1	TG180A7	116 - 1	8
NAS94-625	69	1	R120X	169 - 1	1	TLS88	55	1
NAS94-725	69	1	R121X	76 - 51	5	TQDP470	106 - 32	4

RESTRICTED
AN 01-15EAA-4

Section III
Numerical Parts List

PART NUMBER	FIGURE & INDEX NUMBER	TOTAL QTY	PART NUMBER	FIGURE & INDEX NUMBER	TOTAL QTY	PART NUMBER	FIGURE & INDEX NUMBER	TOTAL QTY
TQD18700-4A	113 - 4	6	0153316-16	75 - 6	3	111816	156 - 33	2
TSEPE6E38	113 - 20	3		76 - 2		11395	98 - 19	7
TSEPE6E42	24 - 21	3		76 - 41		114	80 - 23	3
T47	40 - 13	1	0153316-16	77 - 3	1	114041	80 - 37	1
T602	24 - 20	3	0161366	169 - 14	1	114042	74 - 35	1
T67()/ARC3	40 - 14	1	0572B	53	2	114044	74 - 37	1
T8252878	133 - 10	12	1-21109	60 - 2	2	11445	74 - 34	1
T8254266G1	35 - 6	1	1-21113	69 - 25	2	11608-4	163 - 11	1
T8494291	129 - 18	1	1-21114	60 - 3	2	116224	106 - 23	2
T8602663G1	142 - 2	20		69 - 26		117-54	74 - 38	1
T9014031G1	57 - 4	1	1E663-6	60 - 4	2	117803	24 - 32	1
T9014151G1	116 - 25	8	1JR8	69	1	11832-22	88 - 62	4
	68 - 21	1		66	2	119200	98 - 19	7
	64 - 3	3		53 - 23		119201	59	1
	146 - 1	1		133 - 17			59	2
T9071322G1	68 - 19	1	10	171	20		66	
T9071334G1	68 - 19	1	10-33200-1	24 - 27	2	12-11452-7	120 - 13	2
T9071481G1	57 - 5	1		24 - 29		12B048	35 - 33	1
T9160226G1	64 - 8	1	10C117-85.79	164 - 13	2	12027-2	106 - 24	2
T9160244G1	64 - 8	1	10C201-167.25	165 - 13	1	12082-3	92 - 21	2
	24 - 22	3	10C201-170.75	165 - 12	1		97 - 14	
	40 - 11	1	10C211-11140	164	1	121C	37 - 14	8
UJ719	160 - 7	2	10C211-41.45	164 - 20	1	1212B	136	1
UJ720	160 - 8	2	10C212-90.35	165 - 9	1	1222	169 - 40	1
U3305DV6	94 - 9	1	10C212-94.56	165 - 8	1	12257-27	26 - 25	2
V9029185	91 - 38	4	10C213-25.50	165 - 17	2	1257-563	8	3
	95 - 48	1	10C213-5020	162 - 22	1		54 - 15	12
WG111A	25 - 48	1	10C215-7300	151 - 29	8	1257-894	52, 53	2
WM1-466	125	4	10C216-11430	164	1	1257DEBF	25 - 2	2
WM203	169 - 46	1	10C216-59.40	164 - 28	1	1310	17 - 52	1
WM239	120	5	10C216-73.75	164 - 26	1	1310-1	17	1
	121		10C218-18.72	164 - 18	1	1331L	76 - 42	1
	123 - 2		10C219-16.20	164 - 15	1	13681	157	2
	124 - 16		10C219-24.85	164 - 17	1	13750-6	156	4
WT7A	137 - 32	2	10C224-4750	162 - 16	1	138239	152 - 2	2
WW9019223G1	170 - 25	1	10C224-7050	162 - 20	1	1401-20	136	3
WW9019224G1	170	1	10C225-1840	162 - 14	1	1401-3	132 - 23	2
WW9019230G1	170 - 15	1	10C225-2210	162 - 18	1	1406	171 - 1	2
WZ-R31	25 - 19	7	10C308-13242	155	1	1408	169 - 26	2
	80 - 36		10C308-13552	155	1	1426-37A-A6	77 - 26	1
	66 - 40		10C318-10.50	32 - 21	1	145	37 - 15	8
	86 - 43		10C320-10198	155	2	1473	169 - 8	5
WZETRNT1	87 - 97	1	10C320-3880	155	2	1480	125	3
WZ7RDT	33 - 41	2	10C405-5800	143	2	150872	156 - 29	1
	34 - 25		10C405-5963	143	4	150873	156 - 25	2
W05	35 - 42	1	10C405-6680	143	2	150875	156 - 26	2
W111A	19 - 57	1	10C416-2730	143	8	150876	156	2
W521-1-4D	113 - 6	14	10C417-5710	143	4	150877	156	1
W6100-1-8D	92 - 38	2	10C514-1100	80 - 14	1	150879	156 - 9	2
	97 - 50	2	10C516-3360	143	4	150880	156 - 8	2
W7000-1D	113 - 5	6	10C517-1630	143	4	150881	156 - 10	4
W7000-12D	92 - 12	2	10G108	92	8	150885	156 - 12	2
	92 - 32			97		150886	156	2
W7600-1-8	125 - 8	3	10G115	97	4	150887	156	2
	125 - 20			97		150888	156	2
W7600-3-16	112	1	10S610	53	3	150897	156 - 21	2
W7600-4	26 - 23	2	10W032-26C62	33 - 1	1	150899	156 - 22	4
W7600-7-16	110 - 14	14	10W063-265C875	14 - 16	2	150899	156 - 23	4
	111 - 15		10W065-20-113	61	15	150900	156 - 43	2
	120 - 6		10W065-261C75	33	2	150904	156 - 42	3
	120 - 8		10W090-152C200	80	1	151425	155	2
	120 - 30		100LCP	170	1	151433	155	1
	122 - 7		100LP	170	1	151435	142 - 36	2
	124		1001W	55	1	151620	142 - 37	1
W7600-7-6	121 - 4	2	1004	29 - 51	1	151642	142 - 18	4
	123 - 7		1009NOTCA	53	8	151678	142 - 19	4
W9017359G1	64 - 9	1	103S101	87 - 74	4	151679	142 - 20	2
W907360G1	64 - 11	1	103S102	87 - 74	4	151680	142	2
W9017361G1	57 - 5	1	104-2000-2	142 - 4	2	151680-1	142 - 15	1
W9017363G1	64 - 10	1	104-2000-3	142	2	151682	88 - 38	2
W9017427G1	57 - 6	1	104244-4-1	113 - 3	6	151925	88 - 45	1
XH45D24627	77	1	10446	29 - 9	1	151932	88 - 42	2
X2160M0	157	2	1051SW-EA	25 - 4	1	151941	88 - 36	1
X234-145	112 - 26	17	1094	61	1	151947	88 - 35	1
	113 - 2		11S4	53	8	151948	35 - 15	1
	113 - 7		11W300-820	61	25	151985	88 - 46	1
X235-145	125 - 3	9	110	37	4	151986	88 - 47	2
	113 - 7		110S22	87 - 40	1	151987	88 - 43	2
YZ-R31	21 - 29	17	110156	87 - 94	1	152002	88 - 6	4
	86 - 66		11016-3-12	98 - 9	4	152014	158 - 24	8
	88 - 76		1103984	150 - 66	14	152025	158 - 21	1
	88 - 88			155		152031	48 - 24	1
	160 - 13			158		152032	39 - 25	3
YZETRNTN2	80 - 18	1	110443	91 - 21	2	152041	45 - 5	
0-4042	170 - 3	2		95 - 23	2		50 - 16	
0-521PB	58 - 4	7	111S18	82 - 50	2	152043	39 - 27	1
0B2410	169	1	1111516	87 - 41		152061	85 - 9	6

Section III
Numerical Parts List

RESTRICTED
AN 01-15EAA-4

PART NUMBER	FIGURE & INDEX NUMBER	TOTAL QTY	PART NUMBER	FIGURE & INDEX NUMBER	TOTAL QTY	PART NUMBER	FIGURE & INDEX NUMBER	TOTAL QTY
152062	85 - 12	6		95 - 31		158260	152 - 32	1
152063	85 - 13	6	154973	1	NP	158518	4 - 29	1
152064	85 - 11	6	15552-8	38	3	158529	4 - 12	1
152108	38 - 41	3		44		158530	4 - 14	1
	45 - 20		155074	49 - 8	2	158532	4 - 26	1
152203	39 - 26	3	155095	63 - 16	4	158539	5	2
	45 - 7		155103	156 - 34	2	158540	5	4
	50 - 18		155125	150 - 53	8	158779	16	4
152204	48 - 25	1		151 - 22		1588		5
152224	170 - 6	16	155310	155	1		76 - 53	
152225	23 - 29	1	155312	155	1	159124	13 - 24	1
152328	88 - 83	1	155313	155	1	159159	51 - 19	1
152329	86 - 55	2	155333	147	4	159160	51 - 16	1
	88 - 63		155347	166	1	1592	75 - 24	1
152362	88 - 90	1	155409	155	5	159322	35 - 27	1
152363	88 - 64	1		163		159378	33 - 68	1
152366	88 - 96	1	155466	21 - 31	2	159448	29 - 54	1
152377	88 - 57	2	155467	21 - 16	1	159449	29 - 57	1
152402	156 - 27	1	155469	21 - 30	1	159450	29 - 52	1
152416	158 - 13	4	155470	21 - 29	1	159490	29 - 58	2
152417	158 - 2	4	155471	21 - 28	1	159508	29 - 66	3
152492	158	2	155703	84 - 1	1	159619	169	4
152493	158	2	155723	67 - 18	1	159620	155	1
152530	80 - 7	1	155841	164 - 24	1	159622	155	4
152533	86 - 46	1	155880	165 - 11	2	159660	33 - 35	2
152540	88 - 102	1	155900	164 - 23	4		34 - 18	
152544	88 - 98	2	155901	164 - 23	7	159684	169	1
152545	88 - 105	1	155903	31	16	159726	33	2
152566	149 - 21	1	155938	164 - 22	2	159738	61	2
152635	143	4		150 - 21		159758	61	2
152667	86 - 58	4	155966	155	2	159912	33 - 56	1
152711	38	2	155967	158	2	159912-1	33	1
152728	59 - 3	10	155998	105	2	159917-2	33 - 60	2
152735	165	2	156407	105	2	159917-4	33	1
152775	149 - 5	1	156498	155	4	159932	147	2
152776	149 - 10	3	156522	137	1	160012	41 - 18	2
152777	149 - 11	10	156576	137 - 23	1	160130	153 - 26	3
152781	149 - 4	1	156592	63 - 18	1	160405	171	2
152817	81 - 36	1	156664	45 - 11	1		186 - 7	
152819	81 - 35	1	156705	45 - 3	1	160450	35 - 26	1
152820	81 - 38	1		19 - 23		160468	33	4
152841	161 - 9	2	156777	76 - 39	1	160537	60	5
152842	161 - 6	2	156778	76 - 72	1	160599	69 - 12	1
152864	23 - 28	2	156780	137	1	160600	69 - 2	1
152870	39 - 16	1	156781	137	1	160605	69 - 8	10
152871	86 - 53	1	157092	137 - 43	1	160607-2	69 - 17	5
152905	149 - 12	1	157093	137 - 44	3	160607-4	69 - 18	1
152906	149 - 13	1	157117	142 - 33	1	160707	69 - 22	2
152909	149 - 14	1	157194	142 - 34	1	160812	34	7
152923	155	3	157210	58 - 10	1	161	113 - 9	6
152923-1	155	3	157232	1	NP	161123	147 - 35	1
152945	21 - 12	1	157260	150	8	161888	69 - 9	2
153014	85	1	157261	163 - 4	1	161959	31 - 26	2
153023	155	16	157271	163 - 1	1	161972	33	1
153172	142 - 13	1	157340	163 - 8	1	161973	33	2
153204	89 - 8	1	157341	163 - 10	1	16844	102 - 4	2
153205	89 - 13	1	157362	157	2	17021-1	25 - 52	3
153272	66 - 19	1	157363	157	2	172046	32 - 10	1
153274	76 - 37	1	157459	157	2	172192	32 - 12	1
	76 - 57		157484	157 - 32	4	173308	33	2
153354	89 - 17	1	157542	152 - 9	4	173599	32 - 8	1
153355	89 - 7	1	157554	150	8	173797	32 - 25	1
153362	21 - 37	3	157554-1	151 - 15	8	173798	32 - 26	1
	85 - 5		157555	157	1	173799	32 - 24	1
153382	89 - 31	1	157556	157	2	173800	32 - 17	6
153383	89 - 21	1	157563	157	2	173801	32 - 16	6
153459	155	8	157666	157	2	173810	32 - 6	1
153502	163 - 25	1	157764	157 - 31	4	173812	32 - 18	6
153537	89 - 9	1	157817	158 - 11	2	173804	32 - 7	1
153538	152 - 4	8	157818	155	2	173809	32 - 9	1
153539	152 - 3	1	157821	61 - 3	1	175336	74 - 22	1
153541	159	1	157847	153 - 22	7	175338	74 - 12	1
153711	21 - 11	1	157848	153 - 27	2	175339	74 - 21	1
153754	81 - 33	1	157904	153 - 33	1	175340	74 - 14	1
153756	85 - 17	1	157923	5 - 20	2	175360	74 - 19	1
153848	85 - 16	1	157988	5 - 21	1	175488	74 - 23	1
154022	33	1	158	153 - 6	4	175488	78 - 10	4
15447	85 - 22	1		157 - 31	8	1755-10-2-6	38	1
154652	85 - 28	1	158002	153	4	1755-25-2-8	61	1
154653	85 - 23	1	158215	113	8	175837	61	1
154655	85 - 27	1	158216	114 - 22	1	175837	102 - 3	2
154675	147	3	158237	153 - 29	1	17589-2	91 - 15	2
154694	147	3	158240	89 - 10	1	177198	95 - 18	1
154771	147	1	158241	89 - 11	1		91 - 4	1
154772	147	1		166 - 6	1	177284	119 - 23	2
1548-2A	91 - 20	2		166 - 5	1	177343	119 - 24	1
				166 - 7	1	177385	147	1

RESTRICTED
AN 01-15EAA-4

Section III
Numerical Parts List

PART NUMBER	FIGURE & INDEX NUMBER	TOTAL QTY	PART NUMBER	FIGURE & INDEX NUMBER	TOTAL QTY	PART NUMBER	FIGURE & INDEX NUMBER	TOTAL QTY
1782-2-10	17	3	194217	34 - 30	7	21852	98 - 13	2
179832	120	4	194296	31 - 14	4	21853	98 - 14	2
180864-1	69 - 14	10	194609	33 - 61	2	21854	98 - 15	2
	74 - 2		19474	101 - 1	4	21855	98 - 16	2
180864-2	74 - 3	1	195273	28 - 15	4	21856	98 - 17	2
180864-3	74 - 4	1	195275	28 - 14	4	21857	98	1
181269	74 - 25	2	195336	28 - 10	2	21858	98	1
181271-1	74 - 26	1	195491-2	11 - 5	2	21859	98	1
181271-2	74 - 27	1	195603	31 - 13	2	21860	98	1
181296-1	74 - 15	1	195740	31 - 3	4	221366	4 - 48	1
181296-2	74 - 16	1	196143	34 - 37	3	22300	48	1
1821	169 - 23	5	196143-2	34	1	24-1164-2	53	1
18279	92 - 27	1	196170-1	34 - 34	1	24F60-342	91	2
18280	97 - 15	1	196170-2	34	2		95	
1829-11	66 - 2	1	196220	17 - 49	2	24F60-344	91 - 52	2
1829-2X17	59 - 46	1	196228	17 - 50	1		95 - 54	
1829-2X18	59 - 51	1	196232-1	17 - 46	1	2419-420	55 - 20	2
1829-2X20	67 - 38	1	196232-2	21 - 7	1	25T103	26 - 6	6
1829-2X25	59 - 35	1	196232-5	21 - 32	1	25T104	26 - 7	6
183728	34 - 41	1	196243	17 - 36	5	250497	157	13
183822	34 - 32	2		21 - 17		250498	157	12
184699	25 - 17	1		81 - 41		250811	160 - 6	18
184744	24	6	196328	21 - 10	1	250871	156 - 7	2
18521	102 - 2	2	196407	21 - 8	1	250874	156 - 24	2
186549	18 - 12	1	196411	21 - 9	1	360878	156 - 14	2
186550	18 - 10	1	19643	43	1	251031	142 - 22	1
186619	42 - 5	1	196753	100 - 10	8	251053	144	NP
186620	42 - 7	1	198318	159 - 23	2	251056	144	NP
186623	42 - 13	4	198446	159	2	251084	1	NP
186624	42 - 12	2	198775	159	6	251201	1	NP
186633	42 - 4	1	198776	159 - 25	6	251229	46 - 4	20
186639	42	1	198777	159 - 26	12		46 - 15	
186640	42	2	198778	159 - 24	6	251577	147	2
186653	42 - 11	2	198805-1	15	1	251649	154	NP
186674	18 - 32	1	198805-2	15	1	251725	155	1
186676	18 - 31	1	198806-1	15	1	251831	38 - 5	1
186702	18 - 28	1	198806-2	15	1	251832	33 - 6	2
186703	18 - 29	1	19957	43 - 1	1	251936	88	2
186706	18 - 26	1	2A5754-16	102 - 5	8	251940	158 - 22	1
186735	42 - 28	1	2A5754-49	102 - 6	8	251942	88 - 68	1
186736	42	1	2CD4543	41 - 1	1	251943	88 - 67	1
186768	22 - 17	5	2CD5895	41 - 5	2	251945	88 - 34	1
18695	102 - 1	2	2CD5934	41 - 3	2	251946	88 - 33	1
	102 - 11		2CD5935	9 - 3	4	251949	87 - 86	1
186957	18 - 2	2	2CD5936	9 - 2	14	251988	88 - 40	1
186958	42 - 31	2	2CD5937	9 - 9	4	251989	88 - 39	1
186959	42 - 32	2	2CD5938	41 - 2	2	251990	88 - 44	1
188931	111 - 12	4	2CD5945	3 - 4	2	252012	88 - 58	1
	122		2CD6050	9 - 1	18	252013	88 - 56	2
	123		2CGD50URF1	142	2	252018	158 - 19	2
	124		2CGD50URF2	142	2	252019	158 - 3	4
190113	41 - 21	4	2CGQ50LRA1	142 - 50	1	252022	158 - 18	2
190114	41	4	2CGQ50URC1	142 - 45	1	252023	158 - 17	2
190717	95 - 5	2	2CH1C2	64 - 7	1	252024	158 - 16	2
190718	91 - 5	2	2CH1J1	57 - 1	2	252044	39 - 11	2
	95 - 4			64 - 6			45 - 26	
190746	91 - 7	6	2CH2A4	57 - 2	1	252045	39 - 14	2
	95 - 11		2CSD3A2	142	1		45 - 24	
190747	91 - 6	6	2CSL3A2	142 - 56	1	252046	39 - 12	2
	95 - 12		2CSU3A2	142 - 53	1		45 - 25	
190903	91 - 25	4	2CV1C1	64 - 4	7	252066	85 - 14	6
	95 - 27		2C9380	24 - 1	1	252097	39 - 10	3
190990	142 - 39	4	2Z2308	132 - 25	1		45 - 14	
19104	42 - 9	1	2Z2308-2	132 - 32	1		50 - 21	
191260	94 - 25	4	20F111	5	6	252129	23 - 27	1
191504	91 - 14	4	20245	99	1	252130	23 - 21	1
	95 - 17		2028W	53	8	252144	50 - 27	1
191507	91 - 1	4	204SFF	38 - 13	4	252218	88 - 79	1
	95 - 13		205KPP	35 - 41	1	252219	88 - 82	1
191510	95 - 14	4	206	33 - 28	2	252270	77 - 39	1
191818	148 - 13	1		34 - 11		252332	86 - 54	1
192231	100 - 9	8	21036-3-12	98 - 8	7	252333	149 - 20	1
192568	17 - 14	1	21047-6-0	22 - 19	1	252355	88 - 65	1
192571	17 - 20	1	2106260	155	12	252364	88 - 94	1
192597	17	1		150 - 67		252368	88 - 93	1
192640	120	158	21156	116 - 3	1	252369	88 - 92	1
192655	120	3	21323	117 - 8	2	252375	59 - 6	7
	106		214038	74 - 39	1		66 - 12	
192945	111	3	2150H	37 - 6	1	252439	88 - 101	1
	120		216208	26 - 9	2	252510	88 - 87	1
193051	111 - 19	2	21649	98 - 23	4	252527	155	1
	120		21723	98 - 24	4	252535	86 - 45	1
193116-1	111	2	21795-23	98 - 6	7	252538	86 - 71	1
193116-2	110 - 19	3	21849	98 - 10	1	252577	144	2
194213	34 - 33	7	21850	98 - 11	2	252582	144 - 11	2
194214	34 - 29	7	21851	98 - 12	1	252614	144	2

Section III
Numerical Parts List

RESTRICTED
AN 01-15EAA-4

PART NUMBER	FIGURE & INDEX NUMBER	TOTAL QTY	PART NUMBER	FIGURE & INDEX NUMBER	TOTAL QTY	PART NUMBER	FIGURE & INDEX NUMBER	TOTAL QTY
252615	144	2	254725	33	1	256327	30 - 6	1
252624	143	2	254746	160 - 23	1	256327-1	30	1
252818	81 - 34	1	254809	27 - 4	2	256337	67 - 36	1
252823	81 - 37	1	254930	5 - 44	4	256344	186 - 1	1
252840	161 - 8	1	254961	144 - 21	1	256358	30 - 22	1
252840-1	161	1	255015	147	4	256367	18 - 7	8
252843	161	2	255064	63 - 9	17	256369	67 - 31	1
252848	5 - 30	1		64		256370	30 - 4	1
252850	5	1		68 - 15		256370-1	30	1
252869	19 - 33	2	255065	63 - 7	21	256384	38 - 39	1
252944	21 - 6	1		64 - 14		256404	30 - 20	1
252949	24	3	255066	63 - 10	19	256406	137 - 39	1
252950	24	3		64		256414	75 - 39	1
253596K1	88 - 9	4		68 - 16		256423	30 - 13	1
253039	5 - 29	1	255067	63 - 6	22	256423-1	30	1
253209	89 - 3	1		64 - 15		256482	62 - 9	2
253213	89 - 12	1	255072	105 - 13	2	256489	1	NP
253220	89 - 18	1	255083	105 - 15	3	256499	137 - 20	1
253222	89 - 14	1	255126	150 - 52	8	256586	57 - 10	1
253225	89 - 16	1		151 - 23		256588	45 - 16	1
253299	39 - 13	4	255129	80 - 15	2	256595	59 - 53	1
	45 - 27	4	255179	80 - 17	1	256622	38 - 40	2
	5 - 37	2	255258	150 - 20	24		45 - 19	
253366	89 - 40	2		150 - 51		256627	18 - 25	1
253387	89 - 36	1	255291	164 - 10	1	256675	169 - 45	1
253388	89 - 38	1	255292	86 - 68	1	256967	75 - 35	7
253389	89 - 42	1	255303	38	1	257084	114 - 19	12
253391	89 - 26	1	255314	38 - 18	3	257085-500	114	4
253392	89 - 27	1	255348	166 - 2	1	257101	142	1
253393	89 - 41	1	255348	105 - 5	1	257136	99 - 35	1
253464	163 - 15	1	255360	105 - 14	1	257137	99 - 36	1
253492	163 - 16	1	255361	21 - 25	1	257138	99 - 37	2
253493	163 - 12	1	255394	21	1	257138	99	1
253494	163 - 7	1	255394-1	38 - 43	3	257149	99	1
253495	163 - 19	1	255456-10	38 - 42	3	257150	99	1
253499	163 - 20	1	255456-8	21 - 18	1	257151	99	1
253499-1	163 - 21	1	255463	21	1	257152	99	1
253500	163 - 26	1	255463-1	21	1	257169	101 - 3	1
253503	163 - 27	2	255468	21	1	257169-1	101	1
253505	51 - 2	1	255473	21 - 19	1	257170	101 - 4	1
253519	152 - 5	1	255474	21 - 33	1	257170-1	101	1
253540	75 - 37	4	255475	21 - 27	1	257256	117 - 7	1
253560	80 - 27	1	255484	165 - 14	2	257318	157 - 17	2
253587	80	1	255572	24	1	257320	157 - 18	2
253587-1	80 - 20	1	255777	105 - 7	4	257325	35 - 21	1
253588	80	1		105 - 16		257325	157 - 20	2
253588-1	80	1	255818	143	1	257327	157	2
253589	80 - 21	1	255829	87 - 95	1	257328	157	2
253589-1	80	1	255830	87 - 93	1	257329	157	4
253700	159	1	255854	164 - 14	1	257330	157	2
253701	159	1	255937	155	2	257331	157	2
253702	159	1	255974	59 - 33	1	257335	157	2
253703	159	1	25603	92 - 49	2	257337	157	4
253705	159	1		97 - 56		257338	157	2
253706	159 - 2	1	256039	59 - 55	1	257339	157	2
253707	159	1	256045	165 - 10	2	257356	36 - 19	1
253708	159	1	256046	165 - 4	1	257358	99	2
253716	159 - 6	1	256047	165 - 2	1	257375	36 - 12	19
253782-2	5 - 38	4	256048	165 - 1	2	257376	36 - 11	76
253782-4	5 - 39	2	256051	165 - 5	1	257391	99	1
253783-2	5 - 42	4	256052	165 - 1	1	257406	14 - 12	1
253783-4	5 - 41	2	256121	165 - 3	1	257433	36 - 3	4
253784	5 - 40	1	256144	75 - 30	1	257438	151 - 28	8
253785	5 - 34	1		59		257526	160	2
253796	66	1		67 - 30		257526	151	NP
253797	66	1	256145	59	1	257536	17	1
253845-2	59 - 45	3	256180	59	1	257537	17 - 11	1
253845-4	59 - 9	11	256184	59	1	257538	17 - 11	1
254175	66	1	256186	74 - 10	1	257544-10	151 - 13	1
254221	21 - 36	1	256193	59 - 29	1	257544-8	151	1
254222	21 - 35	1	256194	52 - 30	1	257545	157 - 29	4
254222-1	21	1	256195	52 - 31	1	257550	157 - 28	2
254224	81 - 45	1	2562-33	19 - 24	1	257551	157	1
254225	81 - 51	1	256203	156 - 41	1	257551-1	157	1
254226	81 - 53	1	256204	156	3	257552	157 - 27	2
254245	19 - 46	1	256214	143 - 22	12	257557	157 - 32	2
254360-2	108 - 4	4	256215	143 - 21	2	257557-1	157	2
254615	85 - 26	1	256217	143 - 17	4	257560	157	2
254651	85 - 21	1	256218	143 - 18	4	257560-1	157 - 30	4
254654	85 - 25	1	256222	136 - 7	1	257562	157	2
254658	80 - 33	1	256229	92 - 42	2	257575	157	2
254676	85 - 24	1		97 - 48		257576	157	2
254698	147	1	256295	28 - 11	1	257583	168 - 9	2
254699-2	147	8	256296	38 - 20	3	257584	168 - 8	2
254699-4	147	4		45 - 15		257589	36	11
254723	35 - 20	3	256310	142 - 49	2		43	
	157 - 6							

**RESTRICTED
AN 01-15EAA-4**

**Section III
Numerical Parts List**

PART NUMBER	FIGURE & INDEX NUMBER	TOTAL QTY	PART NUMBER	FIGURE & INDEX NUMBER	TOTAL QTY	PART NUMBER	FIGURE & INDEX NUMBER	TOTAL QTY
257610	158 - 33	4	258588-16	150 - 57	1	259426-8	99	2
257618	36 - 4	4	258588-18	150 - 58	1	259435	29 - 29	1
257665	155	2	258608	86 - 7	2	259447	29 - 33	1
257667	155	4	258611	86 - 8	2	259453	137 - 40	1
257668	155	4	258614	86 - 13	1	259471	19 - 2	9
257669	155	2	258637	106 - 14	2		80 - 22	
257670	155	2	258643	13 - 52	4		86 - 56	
257671	155	2	258669	91 - 45	8		86 - 65	
257672	155	2		95 - 45		259503	1	NP
257673	155	2	258746	106	1	259505	35 - 16	4
257724	155	2	258748	106 - 26	1	259532	169	4
257724-1	155	2	258759	94 - 21	1	259567	92 - 8	2
257728	117 - 19	1	258864	41 - 7	1		97 - 8	
257729	36 - 25	1	258865	41	1	259570	169 - 58	1
257730	36 - 26	1	258888	37	8	259571	169 - 56	1
257744	61 - 4	1	258890	94 - 22	1	259578	9 - 10	2
257769	13 - 15	1	258891	106 - 25	6	259600-30	30	1
257769-1	13	1	258901	151 - 16	8	259600-40	30	1
257770	13 - 21	2	258901-1	151 - 17	8	259609	169	1
257771	13 - 22	2	258924	41 - 10	3	259621	155	1
257773	13 - 17	1	258980	163 - 24	1	259623	155	1
257774	13 - 14	1	258994	150 - 22	1	259625	155	1
257799	153	1	259AS1	170 - 1	1	259652	33 - 39	2
257800	153 - 38	1	259004-2	125	1		34 - 22	
257801	153 - 36	1	259004-4	125	1	259655	33 - 30	2
257802	153 - 39	1	259019	41 - 11	12		34 - 13	
257804	153 - 37	1	259106	91 - 33	28	259656	33 - 40	2
257806	153 - 31	1		95 - 36			34 - 23	
257807	153 - 34	1	259113	163	1	259657	33 - 34	2
257808	153	1	259141	107 - 8	2		34 - 17	
257809	153	1	259146	51 - 6	1	259658	33 - 38	2
257812	153 - 28	1	259147	51 - 14	1		34 - 21	
257814	153 - 24	1	259147-2	51	1	259659	33 - 36	2
257816	153 - 21	2	259148	51 - 15	1		34 - 19	
257820	153 - 19	1	259150	51 - 8	1	259661	33 - 33	2
257822	153	1	259155	51 - 10	1		34 - 16	
257823	153 - 20	1	259156	51 - 12	1	259712	20 - 8	159
257834	61 - 45	12	259157	51 - 11	1	259743	61	2
257838	5 - 18	1	259167	113 - 70	1	259808	14 - 13	1
257843	5 - 26	1	259177	41 - 13	1	259875	33 - 49	1
257844	5 - 28	2	259188	21 - 34	1	259882	33 - 51	1
257845	5 - 24	1	259225	163 - 1	2	259892	33 - 57	2
257846	5 - 23	1	259230	163 - 2	1	259899	33 - 53	2
257886	118 - 16	16	259231	163 - 3	1	259913	159 - 36	1
257913	13 - 25	1	259235	114 - 13	8	259922	147	2
257932	43	2	259246-10	99 - 26	2	259930	61	2
258AS1	170	1	259256	114 - 17	4	259934	147	2
258054	153 - 40	1	259281	41 - 12	1	259935	147	2
258144	33 - 52	4	259282	87	1	26000	8 - 2	1
258195	43 - 12	1	259289	41 - 6	5	260022	75 - 42	8
258207	13 - 19	4	259291	158 - 47	4	260096	17	1
258238	166 - 4	1	259310	35 - 3	6	260102	33 - 71	8
258239	166 - 4	1	259311	33 - 7	1	260114	33 - 63	1
258251	152 - 39	1	259312	33 - 11	1	260115	33 - 62	1
258252	152 - 38	1	259313	33 - 16	1	260122	107 - 13	1
258258	152 - 37	1	259314	35 - 22	2	260125	107 - 14	1
258269	152 - 25	1	259315	33	1	260145	17	1
258319	116	2	259316	33 - 12	1	260147	17	1
258320	116	1	259319	35 - 5	4	260183	171	2
258324	13 - 27	1	259320	35 - 25	2		186 - 6	
258330	13 - 45	2	259321	33	1	260189	122 - 23	8
258331	13 - 35	1	259322	33	1		123	
258332	13 - 34	1	259323	33 - 18	2		124	
258333	13 - 28	1		35 - 28		260190	122 - 21	5
258335	13 - 30	1	259326	33 - 22	1		123	
258348	45 - 15	1	259327	33 - 9	2		124	
258407	159 - 49	1		35 - 9		260197	122	8
258484	95 - 59	1	259328	35 - 17	2		124	
258512	4 - 33	1	259329	35 - 17	2	260198	122 - 34	8
258515	4 - 27	1		33 - 8			124	
258517	4 - 30	2		35 - 13		260212	88 - 95	1
258519	4 - 21	1		33 - 67		260447	35 - 35	1
258520	4 - 22	1		33 - 70		260449	35 - 44	2
258521	4 - 23	1	259332	33 - 46	16	260490	29 - 45	1
258526	4 - 41	1	259333	33 - 48	2	260491	29 - 46	1
258527	4 - 20	1	259335	33	2	260493	29 - 42	1
258528	4 - 11	1	259336	33 - 47	2	260494	29 - 40	1
258531	4 - 16	1	259349	18 - 22	5	260496	29 - 36	1
258535	4 - 39	1		148 - 5		260495	29 - 47	1
258536	4 - 5	4		148 - 11		260496	29 - 47	1
258537	51	1	259372	106 - 13	2	260500	35 - 15	1
258553	159 - 34	1	259381	33	1	260510	60 - 10	1
258554	159 - 35	1	259408	118 - 17	8			
258579	106 - 31	2	259408-1	118	8			
258588-12	150 - 55	1	259426-2	99 - 10	1			
258588-14	150 - 56	1	259426-4	99	2			
			259426-6	99	1			

Section III
Numerical Parts List

RESTRICTED
AN 01-15EAA-4

PART NUMBER	FIGURE & INDEX NUMBER	TOTAL QTY	PART NUMBER	FIGURE & INDEX NUMBER	TOTAL QTY	PART NUMBER	FIGURE & INDEX NUMBER	TOTAL QTY
260533	35 - 40	1	275363	74 - 24	1	291198	113 - 11	4
260601	69 - 4	1	276252	147	4	291259	94 - 24	1
260602	69 - 5	1	277345	119	1	291262	94 - 27	1
260603	69 - 3	1	277346	119	1	2913	18 - 9	1
260608	69 - 13	6	277365	119	1	291503	95 - 7	2
260615	75 - 43	7	277366	119	1	291509	91 - 8	6
260624	18 - 33	1	279013	72	NP		95 - 15	
260625	18 - 34	1	279759	122 - 29	6	291511	95 - 8	2
260650	167 - 3	2	28-2G	60 - 11	1	291528	95 - 56	1
260659	169	1	28000-3	36 - 13	2	291616	98 - 40	2
260660-2	171	1		43 - 8		291617	98 - 41	1
260660-4	171	1	28028	99 - 11	1	291618	98	1
260660-6	171	1	280977	72 - 8	1	291811	30 - 21	1
260660-8	171	1	2820	49 - 11	2	291824	30 - 23	1
260661	171	1		49 - 16		291914	95 - 56	1
260688	109 - 7	1	283731	17	24	2920	23 - 16	2
260689	109	1	2849	23 - 5	1	2921	23 - 3	1
260690	103 - 18	1	286590	22 - 2	3	2922	23 - 14	1
260708	69 - 23	1	2866	23 - 1	2	292248	99	1
260708-1	69	1	286617	42 - 6	1	292511	30 - 12	1
260786	147	4	286618	42	1	292552	30 - 5	1
260787-2	147	2	286690	18	1	292556	30 - 5	1
260787-4	147	2	286697	42	2	292604	106 - 12	2
260832	9	7	286711	18 - 20	1	292620	106 - 17	2
260842	69 - 24	1	286763	22 - 3	3	292910	106 - 16	2
260980	147 - 42	4	286982	22 - 13	1	292912	17 - 5	1
261029	97 - 53	1	286983	22 - 14	1	292918	17 - 6	1
261029-1	97	1	286997	42	1	292930	109	3
261046	92 - 19	2	286998	42	1		119 - 8	
	97 - 49		287000	42	1		119 - 15	
261080	92 - 17	2	2878	23 - 4	1	292935	109	2
	97 - 45		2879	23 - 10	1		119 - 10	
261081	92 - 13		2880	23 - 9	1	292939	110 - 8	4
	97 - 46		2881	23 - 8	1		124	
261084	92	2	2884	23 - 2	1		122 - 15	
	97		2885	23 - 15	1		123 - 13	
261085	92 - 41	2	288852	113 - 8	1	292940	111 - 8	3
	97 - 47		288853	114 - 10	2		120	
261088	91 - 51	2	288857	125	2		121 - 10	
	95		288864	113 - 15	1	292943	109	2
261102-2	147	1	288870	92 - 23	4		119	
261102-4	147	1		97 - 44		292989	120	1
261102-6	147	1	288900	110 - 15	1	293018	111 - 16	2
261113	110 - 12	2	288918	110 - 6	1	293077	109 - 5	2
	111 - 13		288928	112 - 8	17		119 - 18	
261125	147 - 34	1		120		293078	109	2
261126	147 - 35	1		121			119	
261144	147	1		122 - 5		293079	109 - 6	2
261147	103 - 17	1		124			119 - 19	
261249	37 - 16	4	288932	120	6	293080	109	3
261279	31	2		123 - 4			111 - 21	
261280	31	2	288956	124	1		119	
261283	31	4	288994-10	110 - 29	12	293091	110 - 18	16
261284	31	2		120			111 - 18	
261429	108 - 12	2	289015	92 - 26	2		120	
261430	108 - 13	1		97 - 43	2	293131	120	12
261504	29 - 31	2	289017	92 - 29	8		121	
261609-2	162 - 13	1		97 - 42			122 - 14	
261609-4	162 - 15	1		114 - 4			123 - 12	
261609-6	162 - 19	1	289037	114 - 15	4		124	
261609-8	162 - 17	1	28930	17 - 28	1	293139	111 - 17	13
261632	162 - 21	1	28932	17 - 22	1		120 - 12	
261706	163	1	2894	23 - 11	1		122 - 19	
261818	33	1	2894	41 - 9	12		123 - 4	
261879	63	2	290087	41 - 8	2		124	
261887	68 - 10	1	290145	41 - 8	2	294297	31 - 11	1
265344	171	1	290169	41	1	294298	31	1
2681-9	23 - 6	1	290171	41	1	294299	31 - 4	1
27091	99 - 30	2	290728	91 - 12	2	294300	31	1
273595	32 - 22	1	290734	91 - 11	2	294301	31 - 2	1
273596	32	1	290757	91 - 3	1	294302	31	1
273807	32 - 5	1	290969	91 - 24	4	294318	28 - 5	1
273808	32	1		95 - 26		29513	38 - 22	3
274172	120 - 16	1	290977	91 - 26	2		44 - 10	
274173-2	120	4		95 - 28			28 - 16	
274173-3	122 - 18	3	290978	91 - 27	2	295216	28 - 12	1
	124			95 - 29		295269-10	28 - 13	1
	123		291027	21 - 46	1	295269-20	28 - 17	1
274173-4	120	1	291028	21	1	295312	28 - 17	1
274173-6	122	2	291029	21 - 47	1	295691	31 - 9	1
274173-8	120	2	291030	21	1	295692	31	1
	4 - 47		291085	148 - 6	8	296127	31 - 5	1
27468	74 - 11	1		148 - 12		296127-2	31 - 7	1
275342	74 - 20	1	291099	147	1	296128	31	1
275343	74 - 9	1	291161	147	1	296155-3	34 - 31	4
275348	74 - 18	1	291162	147	1			
275355			291197	113	6			

RESTRICTED
AN 01-15EAA-4

Section III
Numerical Parts List

PART NUMBER	FIGURE & INDEX NUMBER	TOTAL QTY	PART NUMBER	FIGURE & INDEX NUMBER	TOTAL QTY	PART NUMBER	FIGURE & INDEX NUMBER	TOTAL QTY
296162	21	1	3201530	99	1	3625D5-625W	99	5
296169	21 - 4	1	3201560	99	1	3625D6-125W	99	4
296175	31 - 17	1	3201570	99	1	3625S2-000W	99 - 7	4
296175-2	31 - 18	1	3201580	99	1	3625SS5-000W	99	3
296176	31	1	3201590	99	1	3625S5-125W	99	2
296219	17 - 40	1	3201600	99	1	365	76 - 43	1
296231	17 - 45	1	3201610	99 - 18	1	36548	25 - 16	10
296247	21	1	3201610-2	99	1	36584	25 - 3	4
296298	81 - 42	1	3201620-1	99	1	3702Y10.75	19	1
296344	31 - 27	2	3201650	99	1	3702Y16	19	1
297597	159 - 16	1	32511A	53 - 7	4	3702Y800	19	1
297599	159 - 17	1	33DS226	144 - 2	20	39B5435	112 - 7	1
298242	159 - 21	6	336	108 - 16	2	39D3922	169 - 13	2
298283	159 - 22	1	33786-5	168 - 1	84	390-16D-20.5	127 - 7	1
298789-1	15	1	33894	168 - 4	4	390-16D-36	127 - 13	1
298789-2	15	1	33895	40 - 21	2	390A20-16	9	4
298789-3	15	1	3400	169	2	390A20-18	9	6
298789-4	15	1		169 - 48		390A20-20	9	2
298790-1	15	1	351-4-33	116 - 11	1	390A20-22	9	2
298790-2	15	1	351-6-22	116 - 9	1	390A20-24	9	2
298790-3	15	1	351-6-24	116 - 10	1	390A20-26	9	2
298790-4	15	1	35155-2	41 - 22	80	4-40	29 - 23	2
298797-1	15	1	35913-10	116 - 22	8	40A7419-1	55 - 9	80
298797-2	15	1	35913-12	115 - 5	8	40R629	38 - 36	4
298797-3	15	1	35913-2	116 - 3	8	40R698	38 - 23	2
298797-4	15	1	35913-6	115 - 4	8	400EC	158 - 36	2
298798-1	15	1	35932-10	104 - 16	1	40052	29 - 8	1
298798-2	15	1	35932-11	104 - 17	1	400639	29 - 27	2
298798-3	15	1	35932-12	104 - 18	1	400644	29 - 21	2
298798-4	15	1	35932-13	104 - 19	1	401193	29 - 24	2
298803-1	15	1	35932-14	104 - 20	1	401473-3	29 - 5	2
298803-2	15	1	35932-15	104 - 21	1	401484	29 - 7	1
298804-1	15	1	35932-16	104 - 22	1	401642	29 - 28	1
298804-2	15	1	35932-17	104 - 23	1	402677-2	29 - 17	2
3-243-7	49	2	35932-18	104 - 24	1	403547	29 - 18	1
3-625S3500S	43	2	35932-19	104 - 25	1	404110	38 - 16	4
3-625S4625S	43	2	35932-36	104	2	404112	38 - 28	2
30KB1250	135 - 11	2	35932-37	104	1	404253	29 - 26	2
	139 - 9		35932-38	104	1	404372	29 - 22	2
30W012-6-0-17	136	1	35932-39	104	1	404422	29 - 19	2
30W012-6-5-18	136	1	35932-40	104	1	404609	29 - 20	2
30W014-0-4-7	135	2	35932-41	104	1	40465A	67 - 24	2
30W014-4-4-8	132 - 22	1	35932-42	104	1		67 - 16	
30W020-0-0-40	137	1	35932-43	104	1	404730	23 - 20	2
30W020-2-0-150	137 - 18	1	35932-44	104	1		49 - 6	
30W14-4-10	132 - 21	1	35932-45	104	1	405050	38 - 32	2
30W16-4-0-3	134 - 17	1	35932-46	104	1	405431	158 - 27	2
30W20-0-0-6	134 - 16	1	35932-47	104	1	405432	89 - 25	1
301	86 - 72	1	35932-48	104	1	405554	49 - 2	1
30495-7.50	48	1	35932-49	104	1	406600	49 - 20	1
31178-3	98 - 39	2	35932-6	104 - 12	2	40769A	156	1
31362	98 - 22	1	35932-7	104 - 13	1	407780	49 - 21	1
31550	13 - 3	2	35932-8	104 - 14	1	41E4555	144	4
319	55 - 8	80	35932-9	104 - 15	1	4116782	169 - 47	1
32-65-001RW	36 - 8	4	35933-10	104 - 5	1	41188	107 - 2	2
3200710	59	2	35933-11	104 - 6	1	41369-12.063	98 - 7	1
	55 - 22		35933-12	104 - 7	1	414001	53	2
3200720	59 - 12	1	35933-13	104 - 8	1	414040	74 - 33	1
3200730	59 - 40	1	35933-14	104 - 9	1	414052	74 - 32	2
3200740	59 - 28	1	35933-15	104 - 10	1	414991	130 - 4	2
3200750	59 - 8	1	35933-16	104 - 11	1	415598	29 - 3	2
3200760	59 - 7	1	35933-36	104	2	41870-10	115 - 2	8
3200770	59 - 18	1	35933-37	104	1	42A6954-1	169 - 63	1
3200780	59 - 1	1	35932-38	104	1	42B3581	92 - 4	4
3200790	59 - 25	1	35932-39	104	1		97 - 4	
3200800	59 - 36	1	35933-40	104	1		107 - 7	
3200820	59 - 42	1	35933-41	104	1		117 - 6	
3201010-1	126	1	35933-42	104	1	42D6433	143 - 6	2
3201010-2	126	1	35933-43	104	1	42D7411	169 - 20	1
3201010-3	126	1	35933-44	104	1	42D8331	169 - 21	2
3201010-4	126	1	35933-45	104	1	42E7219	144 - 17	1
3201010-6	126	1	35933-46	104	1	42G15980	169 - 17	3
3201010-7	126	1	35933-6	104 - 1	2	42G7044	169 - 25	1
3201010-8	126	1	35933-7	104 - 2	2	42H11969	169 - 24	1
3201060	67 - 35	1	35933-8	104 - 3	1	43A10571	144 - 9	5
3201070	67 - 32	1	35933-9	104 - 4	1	43A12153	144 - 10	5
3201080	67 - 27	1	36G2873	169 - 9	2	43A12528	10 - 5	1
3201110	116 - 7	1	3625D2-000W	99	3	43A13594	58 - 11	9
3201120	116	1	3625D2-125W	99	3	43B11200	144 - 5	4
3201190	103 - 11	2	3625D200W	66 - 3	2	43B15777	143 - 5	2
3201230-2	91 - 30	12	3625D3-760W	99	1	43B16094	55 - 19	1
	95 - 33		3625D3-875W	99	2	43B9887	144 - 8	6
3201230-4	91 - 31	2	3625D4-250W	99	2	43G15774	143 - 1	1
	95 - 34		3625D4-375W	99	1	43G19840L	144 - 1	21
3201480	99	1	3625D4125W	66 - 8	14	43G19840R	144	15
3201520	99	1	3625D5-500W	99	2			

PART NUMBER	FIGURE & INDEX NUMBER	TOTAL QTY	PART NUMBER	FIGURE & INDEX NUMBER	TOTAL QTY	PART NUMBER	FIGURE & INDEX NUMBER	TOTAL QTY
4A11779	141 - 2	1	451719-500	67	NP	452622	66 - 11	1
4A18454-2	149 - 23	1	451751	144	2	452625	143	2
	53 - 25	20	451752	143	2	452632	143	2
	55 - 12			144		452655	52 - 9	NP
	56 - 20		451829	170 - 4	1	452669	86 - 30	1
	77 - 16		451829-1	170 - 5	1	452691	132 - 15	2
4A18454-3	77 - 15	1	451837	38 - 4	1	452736	80 - 9	1
4A18454-4	53 - 26	12	451852	93 - 9	2	452778-10	149 - 19	1
	55			96 - 6		452778-2	149 - 15	1
	65 - 25		451857	93 - 8	4	452778-4	149 - 16	1
	76 - 31			96 - 5		452778-6	149 - 17	1
	77 - 13		451944	88 - 32	1	452778-8	149 - 18	1
4A18454-5	53	2	451950	85 - 8	3	452779	149 - 7	1
4A18454-6	53	6	452009	158 - 20	1	452780	149 - 6	1
	77 - 28		452015-4	91	6	452786	5 - 36	1
	160			95		452907	38 - 3	2
4A18454-7	53	10		147		452924	155	4
4A18454-8	75 - 46	4	452020	158 - 12	2	453027	75 - 33	2
4A18454-9	53 - 16	21	452024-4	103 - 13	1		76 - 36	
	53 - 42		452026	158 - 8	1	453063	142	1
	54 - 3		452027	158 - 9	1	453065	142 - 54	1
	55 - 10		452040	39 - 20	1	453128	145 - 22	1
	61		452047	39 - 6	2	453133	145 - 24	1
	63			45 - 18		453175	12	2
44B18638	52 - 33	1	452058	85 - 4	2	453176	12 - 6	6
44B24627	169 - 11	9	452082	66 - 9	1	453203	89 - 2	1
44B25259	142 - 3	4	452131	23 - 23	3	453206	89 - 6	1
44C	149 - 24	2		49 - 7		453219	89 - 19	1
44D22201	169 - 10	9	452139	50 - 13	1	453221	89 - 20	1
44G5437	170 - 8	9	452147	50 - 7	1	453241-14	59 - 20	7
44G5443	170 - 7	2	452148	50 - 6	1	453241-18	59 - 39	2
45A16416	141 - 9	2	452149	155	1	453241-2	59 - 27	2
45C201-1	132 - 27	16	452193	79 - 7	1	453241-24	59 - 38	1
	136		452195	79 - 8	1	453241-4	59 - 37	1
45C201-2	79	20	452211	147	2	453242	59 - 44	1
45C201-3	79	2	452212	147	2	453258	143	2
45C202-2	79	2	452213	147	2	453259-10	143 - 12	1
45C202-3	79	3	452226	23	1	453259-12	143 - 13	1
45C202-4	79	11	452232	23 - 24	1	453259-14	143 - 14	1
45K4571	143 - 4	2	422232-1	23	1	453259-16	143 - 15	1
450186-12	76 - 8	2	452242	66 - 10	1	453259-18	17 - 1	2
	76 - 66		452245	66 - 18	1		143	
	77 - 30		452250	91 - 37	2	453259-2	143 - 8	1
450186-14	76 - 9	2		95 - 47		453259-4	143 - 9	1
	76 - 67		452314	95 - 46	1	453259-6	143 - 10	1
	77 - 31		452315	91 - 41	1	453259-8	143 - 11	1
450186-22	77 - 32	1	452316	91	1	453375	89 - 4	1
450186-24	76 - 10	1	452317	95	1	453385	89 - 23	1
	76 - 68		452318	95 - 40	1	453452	49 - 4	1
450186-26	77 - 33	1	452319	91 - 42	1	453453	49 - 3	1
450186-28	76 - 69	2	452320	95	1	453498	163 - 22	1
450186-8	77 - 29	1	452321	88 - 73	1	453501	163 - 23	2
450190-10	75 - 14	1	452323	86 - 62	1	453508	163 - 28	1
450190-18	75 - 15	1	452324	86 - 61	1	453542	147	1
450190-20	75 - 16	1	452326	86 - 61	1	453543	147	1
450190-8	75 - 13	1	452330	86 - 41	1	453544	147	1
450250	52 - 32	1	452331	86 - 51	1	453545	147	1
450808	160 - 5	2	452334	131 - 10	1	453561	75 - 34	2
450809	160 - 4	2	452340-2	66 - 7	6	453564	159 - 1	1
450814-2	160 - 1	2	452340-4	59 - 4	3	453590	80	1
450814-4	160 - 2	2		66 - 5		453590-1	80	1
450815	160 - 3	4	452365	88 - 91	1	453591	80	1
450843	8	1	452367	88 - 66	1	453592	80	1
450844	12 - 13	1	452376-2	66 - 15	2	453592-1	80 - 26	1
450882	156 - 19	1	452376-4	66 - 14	1	453593	80	1
450882-1	156 - 20	1	452376-6	66 - 13	3	453597	75 - 32	1
450883	156 - 11	2	452376-8	59 - 5	1	453599	12 - 24	2
450884	156 - 13	2	452401	156 - 18	1	453655	25 - 39	2
450894	156	1	452433	66 - 6	1	453656	25	1
450895	156	1	452438	88 - 99	1	453657	25	1
450896	156	1	452441	88 - 104	1	453658	25	1
450902	156 - 17	1	452455	56 - 2	1	453660	25	1
450948-4	98 - 2	2	452461	56	1	453661	145 - 18	3
450958	46 - 2	10	452470	158 - 28	2	453662	145 - 23	3
	46 - 13		452531	66 - 16	1	453665	8	4
	46 - 3		452534	86 - 57	1	453666	145 - 6	8
450963	46 - 14	10	452541	88 - 100	1	453667	145 - 7	8
	175 - 1		452542	86 - 80	1	453673	8	1
451050	1	NP	452543	86 - 73	1	453704	17 - 3	1
451085	1	NP	452565	149 - 22	1	453710	159	1
451342	52 - 10	1	452575-2	144	4	453712	159	1
451400	142 - 9	1	452575-4	144	4	453712-1	159 - 3	1
451402	142 - 8	1	452597	95 - 41	1	453713	159	1
451490	155	2	452598	91 - 43	1	453715	159 - 4	1
451666	155	1	452599	91	1		159 - 5	1
451675	142 - 14	4	452600	95	1			
451707	58 - 7	1						
451719-26	67 - 43	1						

RESTRICTED
AN 01-15EAA-4

Section III
Numerical Parts List

PART NUMBER	FIGURE & INDEX NUMBER	TOTAL QTY	PART NUMBER	FIGURE & INDEX NUMBER	TOTAL QTY	PART NUMBER	FIGURE & INDEX NUMBER	TOTAL QTY
453715-1	159	1	455294-4	86 - 33	1	455583-8	150 - 24	1
453731	12 - 19	1	455305	155	1	455584	150 - 17	1
453739	12 - 14	2	455306	155	1	455585	150 - 11	1
453764	25	NP	455307	155	1	455586	150 - 16	1
453764-1	25	NP	455319	27 - 10	1	455587	150 - 4	1
453801	12 - 18	1	455319-1	27	1	455588	150 - 3	1
453801-1	12	1	455328	21 - 24	1	455589	150 - 48	1
453888	145 - 10	1	455328-1	21	1	455590	150 - 40	1
453889	145 - 37	1	455343	166 - 1	1	455591	150 - 33	1
453894	145 - 3	1	455354	105 - 3	2	455592	150 - 39	1
453895	145 - 27	1	455355	105 - 9	2	455593	150 - 47	1
453956	56 - 5	1	455356	105 - 6	1	455594	150 - 27	1
453958	145 - 11	1	455357	105 - 2	2	455595	150 - 26	1
453959	145 - 26	1	455358	105 - 12	1	455596	150 - 15	1
453960	145 - 2	1	455359	105 - 10	2	455597	150 - 8	1
453961	145 - 25	1	455374	21 - 26	1	455598	150 - 14	1
453965	145 - 16	1	455374-1	21	1	455599	150 - 46	1
456966	145 - 35	1	455393	68 - 1	1	455600	150 - 36	1
453969	24	1	455427	27 - 11	1	455601	150 - 32	1
453970	24	1	455427-1	27	1	455602	150 - 31	1
453973	145 - 13	1	455435	143 - 2	8	455603	150 - 35	1
453974	145 - 32	1	455442	105 - 20	1	455604	150 - 45	1
453975	145 - 14	1	455477	137 - 6	1	455605	150 - 13	1
453976	145 - 33	1	455509	158 - 37	1	455606	150 - 7	1
454003	55	1	455510	158 - 38	1	455607	150 - 6	1
454009	59 - 13	4	455511	158 - 39	1	455608	150 - 12	1
454010	59 - 21	1	455512	158	1	455609	163 - 31	1
454020	59 - 41	1	455513	158	1	455610	163 - 32	1
454019	59 - 43	1	455514	158	1	455611	163 - 33	1
454060	19 - 34	1	455515	158 - 40	2	455612	163 - 35	1
454064	79	2	455516	158 - 41	2	455613	163 - 34	2
454094	19 - 35	1	455518	158 - 42	2	455614	163 - 30	1
454107	12 - 16	4	455519	158 - 43	1	455615	163 - 29	1
454142	85 - 15	5	455520	158	1	455616	164 - 4	2
454143	85 - 17	1	455521	158	1	455617	164 - 6	1
454145	85 - 7	1	455522	158	2	455618	164 - 7	1
454171	24	2	455523	158	2	455619	164 - 5	1
454213	21 - 5	1	455525	155	1	455620	164	1
454214	21	NP	455526	155	1	455621	164	1
454214-1	21	NP	455527	155	1	455622	164	1
454215	81 - 44	NP	455528	155	1	455623	164	1
454227	81 - 46	1	455529	155	2	455624	164 - 2	1
454254	145 - 1	1	455530	155	2	455624-8	164 - 3	1
454264	8	1	455531	155	1	455632	130 - 13	1
454362	19 - 16	1	455532	155	1	455635	130 - 11	1
454393	33	1	455533	155	1	455638	130 - 5	1
454520	61	4	455534	155	1	455639	130 - 6	1
454614	85 - 19	1	455535	155	1	455641	130 - 17	1
454616	85 - 20	1	455536	155	1	455642	130 - 16	1
454626	49 - 19	1	455537	155	1	455677	87 - 89	1
454627	24	2	455538	155	1	455733	12	NP
454657	80	1	455539	155	1	455737	1	4
454659	80 - 32	1	455540	155	1	455739	59 - 23	1
454693	80 - 12	1	455541	155	2	455791	155	1
454775	147	4	455542	155	2	455813	143	1
454777	147	4	455543	155	1	455813-1	143	1
454788	12 - 12	1	455544	155	1	455816	143	1
454788-1	12	1	455545	155	1	455826	170 - 17	2
454803	51 - 4	1	455546	155	1	455837	164 - 25	1
454811	8	1	455547	155	2	455839	14 - 4	2
454812	8	1	455548	155	2	455856	159 - 7	1
454846	51 - 27	1	455559	158	1	455857	159 - 8	1
454848	59 - 49	1	455560	158 - 46	1	455858	159 - 9	1
454866	8	1	455564-2	105 - 18	1	455859	159 - 10	1
454867	8	1	455564-4	105	1	455860	159 - 11	1
454870	8	1	455564-6	105 - 21	1	455861	159 - 12	1
454871	8	1	455564-8	105	1	455936	155	1
454872	8	1	455566	150 - 44	1	455939	158	2
454931	24	6	455567	150 - 38	1	455940	155	2
454940-18	75 - 21	4	455568	150 - 30	1	455941	155	1
454941	75 - 36	13	455569	150 - 29	1	455942	155	1
455008	14 - 1	6	455570	150 - 37	1	455943	155	2
455019	1	NP	455571	150 - 43	1	455944	155	2
455100	54 - 4	1	455572	150 - 19	1	455945	158 - 48	2
455113-10	105 - 17	1	455573	150 - 9	1	455953-2	59 - 34	4
455113-11	105	1	455574	150 - 10	1	455953-4	59 - 15	1
455113-12	105 - 19	1	455575	150 - 18	2	455956	133 - 8	1
455113-14	105	1	455576	150 - 50	1	455957	133 - 18	1
455120	147	6	455577	150 - 42	1	455958	133 - 6	1
	152 - 16	1	455578	150 - 34	1	455959	133 - 19	1
455121	147	1	455579	150 - 41	1	455997	59 - 56	1
455122	147	5	455580	150 - 49	1	455999	133 - 24	1
	152 - 18	1	455581	150 - 5	2	456003	136 - 10	1
455158	24	6	455582-10	150 - 2	1	456004	136 - 6	1
455225	48 - 5	NP	455582-8	150 - 25	1	456005	136 - 8	1
455294	86	NP	455583-10	150 - 1	1	456006	136 - 12	1

Section III
Numerical Parts List

RESTRICTED
AN 01-15EAA-4

PART NUMBER	FIGURE & INDEX NUMBER	TOTAL QTY	PART NUMBER	FIGURE & INDEX NUMBER	TOTAL QTY	PART NUMBER	FIGURE & INDEX NUMBER	TOTAL QTY
456007	136 - 13	1	456825	146	1			
456010	162	1	456826	146	1	457642	186 - 4	1
456015	63	1	456829	146	1	457642-1	155	1
456016	63 - 11	1	456832	79 - 10	1	457643-2	41 - 14	9
456038	59 - 54	1	456833	146 - 4	1	457643-50	41 - 15	3
456071	79	1	456846	146	1	457643-52	41 - 16	3
456088	164 - 27	1	456847	146	1	457648	145 - 4	1
456089	164 - 29	1	456848	42 - 22	1	457649	145 - 28	1
456090	164 - 16	1	456851	146	1	457662	8 - 4	1
456091	164 - 19	1	456863	88 - 74	1	457675	8	1
456092	164 - 21	1	456864	146 - 5	1	457676	8	1
456093	164 - 30	1	456865	146	1	457677	145 - 5	1
456094	164 - 31	1	456866	146	1	457678	145 - 29	1
456095	164 - 12	1	456867	146	1	457680	8	1
456120	75 - 29	1	456868	146	1	457681	8	1
456122	75	1	456869	146	1	457682	8	1
456149	54 - 5	1	456870	146	1	457683	8	1
456149-500	64	2	456871	146	1	457684	158 - 32	4
	68 - 17		456878	6 - 3	1	457712	106 - 22	1
456154	19	1	456902	79 - 11	1	457712-1	106	1
456156	19	1	456904	79 - 12	1	457731	36 - 24	1
456187	132 - 31	1	456906	79 - 13	1	457732	36 - 23	1
456188	132 - 20	1	456909	79 - 14	1	457733	36 - 22	1
456189	132 - 11	1	456911	79	1	457736	55 - 14	1
456190	132 - 12	1	456913	79	1	457743	61 - 2	1
456191	132 - 19	1	456915	79	1	457756	61 - 10	1
456192	132 - 26	1	456929	79 - 16	1	457757	61 - 11	1
456226-6	135 - 12	1	456933	79	1	457758	61 - 12	1
456226-8	139 - 6	1	456937	79	1	457766	13 - 18	2
456233	169 - 46	1	456945	79	1	457767	13 - 20	2
456244	18 - 14	1	456966	75 - 31	2	457768	13 - 23	1
456270	136	1		76 - 71		457771	13 - 16	2
456271	136	1	456978	61 - 20	4	457785	157	2
456275	136	1	457006	80	NP	457793	157 - 22	2
456308	18 - 4	2	457007	80 - 19	1	457811	153	1
456333	67 - 39	1	457079	130 - 2	13	457813	153 - 25	1
456335	67 - 34	1	457079-2	130	13	457815	153 - 23	2
456336	67 - 26	1	457094	142 - 32	1	457832	99	1
456349	137 - 26	1	457118	75 - 40	3	457839	5 - 22	1
456357	67 - 29	1	457119	75 - 38	3	457893	153 - 13	8
456376	137 - 27	1	457123	75 - 41	4	457895	153 - 5	2
456446	135 - 17	1	457135	99 - 33	2	457896	153 - 7	2
456447	135 - 16	1	457139	99 - 34	1	457897	153 - 9	1
456448	135 - 13	1	457140	99	1	457898	153	2
456449	135 - 4	1	457148	99	1	457899	153 - 11	1
456458	67 - 28	3	457205	147	2	457899-1	153	1
456459	67	2	457206	147	2	457900	153 - 10	1
456460	67 - 41	2	457207	147	2	457900-1	153	4
456461	67 - 40	1	457231	113 - 14	1	457901	151 - 26	4
456465-2	148 - 1	1	457304	157 - 10	2	457901-1	151 - 27	4
456465-3	148	1	457307	157 - 11	2	457902	153 - 8	2
456465-4	148 - 7	1	457308	157 - 12	2	457908	110 - 6	4
456465-5	148	1	457310	157 - 13	2		111	
456469	75 - 43	3	457311	157 - 14	2		120	
456473	62 - 4	1	457312	157 - 15	2	457909	110	4
456474	62 - 5	1	457313	157 - 16	2		111 - 6	
456475	62 - 3	1	457322	157 - 19	2		120	
456496	139 - 8	1	457343	157	4	457944	151 - 20	1
456496	137 - 22	1	457371	152	1	457945	151 - 21	1
456497	137 - 21	1	457372	152	1	457946	151 - 18	1
456520	137	1	457373	152 - 6	1	457947	151 - 19	1
456528	66 - 22	2	457374	152 - 7	1	457948	151 - 30	1
456529	42	5	457378	160	4	457949	151 - 31	1
	66 - 20		457397	12	4	457950	151 - 33	1
456535	24	NP	457407	14 - 9	2	457951	151 - 32	1
	138 - 5		457410-4	150 - 69	6	457952	151 - 34	1
456536	24	NP	457410-6	150 - 70	2	457953	151 - 35	1
456552-2	148 - 2	1	457416	171	1	457954	151 - 36	1
456552-3	148	1		186 - 2		457955	151 - 37	1
456552-4	148 - 8	1	457416-1	171	1	457956	151 - 38	1
456552-5	148	1		186 - 3		457957	151 - 39	1
456581	12 - 11	2	457437	157	2	457958	151 - 40	1
456582	12 - 17	2	457468	155	2	457959	151 - 41	1
456585	59 - 52	1	457486	17 - 17	2	457960	151 - 42	1
456602-2	131 - 8	1	457508	155	2	457961	151 - 43	1
456602-4	131 - 9	1	457525	160	2	457962	151 - 44	1
456631	19 - 26	1	457527	160	2	457963	151 - 45	1
456652	79	1	457231	113 - 16	1	457964	151 - 46	8
456653	79	1	457231-1	113	1	457965	151 - 47	8
456679	149 - 9	1	457539	43	1	457966	151 - 48	1
456699	137 - 2	1	457541	175 - 2	NP	457967	151 - 49	1
456700	137 - 4	1	457547	157 - 23	1	457968	151 - 50	1
456726	169 - 44	1	457547-1	157	1	457969	151 - 51	1
456803	146	1	457549	157 - 24	2	457970	151 - 52	1
456808	87 - 96	1	457603	158 - 10	2	457971	151 - 53	1
456824	146	1	457633	171	2	457972	151 - 54	1

RESTRICTED

RESTRICTED
AN 01-15EAA-4

Section III
Numerical Parts List

PART NUMBER	FIGURE & INDEX NUMBER	TOTAL QTY	PART NUMBER	FIGURE & INDEX NUMBER	TOTAL QTY	PART NUMBER	FIGURE & INDEX NUMBER	TOTAL QTY
457973	151 - 55	1	458394-2	4 - 42	2	459158	51 - 17	1
458000	153 - 30	1	458394-4	4 - 43	1	459227	163 - 6	1
458012	8	1	458395-2	4 - 44	1	459232	163 - 5	1
458013	8	1	458395-4	4 - 45	1	459236	17	NP
458014	8	1	458411	147	2	459243	79	3
458015	8	1	458433	8	1	459245	79	1
458016	8	1	458434	8	1	459246	79	1
458017	8	1	458435	8	1	459247	79	1
458018	8	1	458436	8	1	459249	53 - 1	1
458019	8	1	458476	95 - 62	5	459253	68	1
458020	8	1	458513	4 - 35	1	459257	98 - 16	4
458021	8	1	458514	4 - 34	1	459271	73 - 8	1
458022	8	1	458516	4 - 28	1	459273	98 - 12	2
458023	8	1	458522	4 - 24	1	459275	98 - 7	2
458024	8	1	458523	4 - 19	1	459276	98 - 8	2
458025	8	1	458524	4 - 9	1	459277	98 - 9	2
458026	8	1	458525	4 - 40	1	459280	142	1
458027	8	1	458533	4 - 17	1	459286	24	3
458028	8	1	458534	4 - 38	1	459287	24	2
458029	8	1	458545	159 - 28	1	459290	19 - 15	1
458030	8	1	458546	159 - 30	1	459297	53	1
458031	8	1	458547	159 - 31	1	459302	33 - 25	1
458032	8	1	458551	159 - 32	1	459303	35 - 2	6
458033	8	1	458552	159 - 33	2	459306	33 - 5	1
458034	8	1	458555	53	1	459307	33 - 13	1
458035	8	1	458556	53	1	459308	33 - 15	2
458036	8	1	458557	53	1		35 - 14	
458037	8	1	458558	53	1	459309	35 - 19	2
458038	8	1	458559	53	1	459315	35 - 4	1
458039	8	1	458560	53	1	459318	33 - 21	2
458040	8	4	458561	53	1		35 - 34	
458041	145 - 15	1	458562	53	1	459324	33	1
458042	145 - 34	1	458582	145 - 31	1	459325	33 - 20	2
458043	145 - 12	8	458583	145 - 9	1		35 - 30	
458050	153	1	458589 12	150 - 59	1	459331	33 - 64	1
458083	155	2	458589-14	150 - 60	1	459340	33 - 43	1
458084	155	2	458589-18	150 - 61	1	459341	33 - 44	1
458085	155	2	458598	86 - 20	1	459363	34 - 27	1
458086	155	2	458603	86 - 19	1	459363-1	34	1
458087	155	2	458612	86 - 18	1	459377	33 - 65	2
458088	155	2	458613	86 - 12	1	459379	33 - 66	1
458089	155	2	458694	11 - 2	2	459406	29 - 50	1
458090	155	2	458697	11 - 3	2	459407	137 - 7	1
458091	155	2	458711	3 - 6	1	459436	29 - 2	2
458092	155	2	458747	106 - 9	1	459442	28 - 6	1
458093	155	2	458747-1	106	1	459482	169	1
458094	155	2	458750	106 - 10	2	459489	99	3
458143	35 - 50	2	458816	11 - 4	2	459489-1	99	2
458161	158	1	458842	25 - 46	NP	459499	71 - 5	1
458162	158	1	458842-1	25	NP	459500	70 - 8	1
458163	158	1	458846	19 - 19	1	459501	70 - 11	1
458164	158	1	458847	19 - 20	1	459514	169 - 61	1
458165	158	2	458854	54	NP	459539	70 - 7	2
458166	158	2	458855	54	NP	459530	79	1
458167	158	2	458881	19	1	459531	79	1
458168	158	2	458883	19	1	459572	169 - 57	1
458169	158	2	458927	171 - 11	1	459607	169	1
458170	158	2	458928	171 - 10	1	459608	169	1
458175	151 - 28	4	458961	150 - 62	1	459626	155	1
458176	151 - 25	4	458969	53	1	459627	155	1
458177	151 - 24	4	458990	118 - 15	16	459639	19	1
458180	152 - 31	1	459006	91 - 44	2	459642	19	1
458228	152 - 24	1		95 - 44		459644	19	1
458230	152 - 26	1	459007	74 - 28	2	459647	19	1
458245	152 - 40	1	459008	130 - 7	1	459651	33 - 42	1
458249	152 - 34	1	459018	116 - 24	1	459653	33 - 26	2
458250	152 - 33	1	459022	52	1		34 - 9	
458256	152 - 29	1	459052	130 - 8	1	459654	33 - 47	2
458257	152 - 30	1	459066-4	98 - 5	2		34 - 10	
458259	152 - 36	1	459068	8	1	459664	19	1
458273	163	2	459069	8	1	459667	19	1
458274	163	1	459096	19	1	459668	19	1
458275	163	1	459097	19	1	459671	19	1
458276	164	1	459098	19	1	459679	34 - 8	1
458277	164	1	459099	19	1	459685	129 - 8	1
458278	164	1	459104	91 - 32	14	459686	129 - 26	1
458296	4 - 46	1		95 - 35		459687	129 - 9	1
458300	145 - 20	1	459105	91 - 34	14	459689	129 - 7	1
458301	145 - 38	1		95 - 37		459697	129 - 10	1
458310	145 - 21	1	459108	113	1	459703	56 - 11	1
458311	145 - 39	1	459142	107 - 9	1	459708	137 - 14	1
458325	13 - 31	1	459145	51 - 5	1	459709	137 - 13	1
458329	13 - 44	1	459145-2	51	1	459711	137 - 11	2
458359	116 - 16	1	459149	51 - 7	1	459718	56 - 21	1
458376	145 - 17	1	459149-2	51	1	459719	56 -	1
458377	145 - 36	1	459154	51 - 13	1	459725	61 - 31	1

Section III
Numerical Parts List

RESTRICTED
AN 01-15EAA-4

PART NUMBER	FIGURE & INDEX NUMBER	TOTAL QTY	PART NUMBER	FIGURE & INDEX NUMBER	TOTAL QTY	PART NUMBER	FIGURE & INDEX NUMBER	TOTAL QTY
459731	56 - 22	1	460442	35 - 38	1	461282	31	1
459737	61	1	460462	134 - 18	1	461282-1	31	1
459737-1	61	1	460471	142 - 30	2	461286	31	2
459741	61 - 33	2	460482	80	NP	461412	137	1
459744	61	4	460489	29 - 44	1	461413	137	1
459745	61 - 37	1	460492	29 - 43	1	461414	94 - 19	1
459746	61 - 36	1	460505	157	1	461596	68	1
459748	61 - 35	1	460505-1	157	1	461612	52 - 21	NP
459798	137 - 15	1	460532	35 - 39	1	461728	106 - 27	1
459809	61 - 38	1	460539	60 - 5	1	461733	106	1
459809-1	61	1	460542	135 - 3	1	461734	106	1
459812	106 - 29	1	460571	28	1	461735	106	1
459812-1	106	1	460572	28	1	461737	120 - 27	5
459816	147	NP	460583	167 - 6	1		122 - 20	
459816-1	147	NP	460598	69 - 1	1		123 - 15	
459867	137	1	460604	69 - 6	6	461738	31	1
459868	80 - 28	3	460606	69 - 7	1	461738-1	31	1
	80 - 34		460609	69 - 16	1	461764	120	6
	88 - 86		460610	69 - 15	1		122 - 6	
459874	33 - 59	1	460613	48	NP		124	
459879	98 - 3	2	460613	167 - 9	8	461765	120 - 11	6
459894	131	1	460614-2	167 - 10	4		124 - 8	
459902	153	1	460614-4	112 - 19	1	461835	36	1
459921	147	2	460618	48	1	461836	36	1
459933	147	2	460620	112 - 22	1	461859	94 - 12	1
459936	147	2	460626	116 - 15	1	461859-1	94 - 13	1
459939	34 - 38	4	460639	98 - 1	2	461860	94 - 10	1
459945	34 - 36	4	460655	112	2	461860-1	94 - 11	1
459955	171	2	460671-2	112	2	461885	116	8
459956	34 - 24	1	460671-4	112	1	461889	169	1
459961	33 - 43	1	460673	72 - 2	1	47A6114-1	40 - 17	2
459974	106	1	460679	25	NP	47A6115-1	40 - 18	1
459975	106	1	460691	72 - 3	2	47A6115-2	40 - 19	1
459978	89 - 39	1	460692	69 - 11	5	47D6126-10	63	1
459983	76 - 25	1	460709	116	1	47D6126-6	63	1
459984-2	76 - 26	1	460710	74 - 31	1	472092	32 - 4	2
459984-4	76 - 27	1	460714	53 - 48	1	473595	32 - 30	1
459988	106 - 30	1	460725	72 - 3	2	473595-1	32	1
46B188	91 - 6	2	460727	9	4	473597	32 - 27	1
	95 - 60		460730	147	1	473598	32	1
46C199-6	25 - 50	2	460785-2	147	1	473795	66 - 30	1
460003	136 - 10	1	460785-4	147	1	473795-1	66	1
460004	136 - 6	1	460785-6	147	1	473803-2	32 - 15	1
460005	136 - 8	1	460785-8	147	1	473803-3	32 - 19	6
460006	136 - 12	1	460788	41 - 25	53	473803-4	32 - 23	1
460007	136 - 13	1	460800	145 - 30	1	474169	122 - 32	1
460021	186 - 5	1	460805	145 - 8	1	474170-3	124 - 12	1
460026	171 - 9	1	460806	41	1	474170-4	124 - 11	1
460031	19 - 44	1	460892	41	1	474171-3	120 - 14	1
460042	144	8	460893	41	1	474171-4	120 - 15	1
460047	79	1	460894	41 - 23	14	474171-4	120 - 17	11
460060	137	1	460898	41 - 24	8		122 - 3	
460061	137	1	460899	92 - 5	1		124 - 10	
460077	135	1	460957	97 - 5	1	4750S2250H	115 - 7	8
460084	17 - 24	1	460959	147	1	475232	142	2
460088	144	1	461004	92 - 7	2	475234	142	2
460094	135	1	461014	97 - 2	2	475364	74	1
460108	138 - 6	1	461047	93 - 1	2	475501	61 - 46	2
460110	130 - 14	1	461048	96 - 1	2	475563	47 - 14	1
460111	130 - 15	1	461049	93 - 2	2	477368	106	3
460127	94 - 18	1	461100	147 - 30	2	477407	106	3
460138	33	1	461101	147 - 31	1	479328	48 - 7	1
460138-1	33	1	461102-2	147	1	479328	120	6
460182	122 - 37	10	461102-4	147	1		121 - 6	
	124 - 13		461102-6	147	1	479829	122 - 16	3
460185	122 - 35	2	461104	147 - 32	2		123 - 17	
460199	19 - 36	1	461104	147	1		124	
460209	33 - 69	1	461105-14	147	1	479830	120 - 9	4
460214	112	5	461105-16	147	1	479831	120 - 10	4
	122 - 10		461105-18	147	1	480501	61	NP
	121 - 8		461120-14	147	1	480501-600	61 - 42	NP
	123 - 98		461120-16	147	1	480502	61	NP
	124		461120-18	147	1	480502-10	61 - 40	NP
460216	123 - 3	1	461128	147 - 36	1	480504	61	NP
460223	112	5	461129	147 - 37	1	480504-10	61 - 41	1
	121		461130	147 - 38	1	48077	99 - 29	2
	122		461141	147 - 39	1	480888	48 - 14	1
	123		461155-2	103	1	481367	171	2
	124		461155-4	103 - 15	1		186 - 10	
460245	121	1	461155-6	103 - 16	1		73 - 12	1
460261	136	1	461155-8	103	1	481406	25 - 1	1
460262	136	1	461158	140 - 6	1	484607	25	1
460263	136	1	461161	92 - 31	2	484608	19 - 5	1
460264	136	1		97 - 11		484647	19	1
460273	19 - 45	1	461174	140 - 7	1	484649	52 - 18	NP
460409	36	1	461245	186 - 12	1	484677	38 - 31	3
460412	36 - 34	1	461271	41 - 26	2	4860	44 - 6	
			461272	41 - 27	3			

RESTRICTED

**RESTRICTED
AN 01-15EAA-4**

**Section III
Numerical Parts List**

PART NUMBER	FIGURE & INDEX NUMBER	TOTAL QTY	PART NUMBER	FIGURE & INDEX NUMBER	TOTAL QTY	PART NUMBER	FIGURE & INDEX NUMBER	TOTAL QTY
486539	18 - 16	4		122 - 13		51703	98 - 38	1
486543	18 - 15	1		123 - 11		51703-1	98	1
486551	42 - 16	1	493022	111 - 10	2	51930-2-5-745	66	1
486621	42 - 8	1	493024	17 - 7	1	51930-2-5-746	66 - 28	1
486679	18 - 23	1	493032	111 - 5	1	51930-2-8-745	66 - 28	1
486679-1	18 - 30	1	493082	120	2	51930-2-8-746	66	1
486679-10	18 - 24	1	494294-10	31 - 30	1	519609	26 - 1	1
486679-20	18 - 27	1	494294-20	31 - 31	1	519609-1	26	1
486680	18	1	495601	31 - 15	2	525LFG1-2D	92 - 9	3
486680-1	18	1	495625	31 - 33	2		97 - 9	
486680-10	18	1	495696	171	6		117 - 5	
486680-20	18	1		186 - 11		528-2	120 - 20	4
486742	17	1	496131	81 - 39	1	528-24D	112 - 27	7
486733	42 - 30	1	496144	34 - 28	2		122 - 28	
486748	42 - 30	1	496238	17 - 39	1		123 - 18	
486894	42 - 27	2	496259	21 - 15	1	528-24D	124 - 9	
486974	22 - 11	1	496401	81 - 40	1		125 - 13	
486996-10	42 - 25	3	497123	159 - 13	1	529056-2	43 - 17	1
486996-20	42 - 26	1	497581	159 - 14	5	53047	82 - 54	2
487011	18 - 18	1	497582	159	5		87 - 85	
488940	111 - 20	2	497583	159 - 15	1	530874	87 - 21	2
	120		497584	159	1	53158	87 - 60	2
488961	110 - 9	2	497609	159 - 18	1	53885	84 - 19	2
488963	110 - 17	3	497610	159 - 19	1	540083	81 - 25	2
	120 - 18		497611	159 - 20	1	54043	87 - 19	4
488964	110	3	497639	17 - 37	1		87 - 34	
	120		498203	5 - 11	1	54213	87 - 21	2
489033	106	1	498204	5	1	550086	136	NP
489044	98 - 6	4	5	53	16	550198	75	1
49-1356	64 - 2	2	5AM31NJ22	146 - 8	4	550199	75 - 5	1
	68		5AM41NJ5	64 - 5	6		75 - 18	
49-1356-2	56 - 17	1		68 - 18		550229	16 - 13	1
49-1475-2	56 - 10	1	5BA40NJ96	157	2	550229-1	16	1
490731	91 - 10	4	5X18B5U	92 - 38	2	550230	16 - 14	1
490968	91 - 23	2		97 - 16		550230-1	16	1
	95 - 25	2	50B103-10	80	4	550231	16 - 15	1
491055	147	2	50B103-11	80	3	550231-1	16	1
491083-20	148 - 3	1	50B103-9	21	1	550620	169	NP
491083-30	148 - 9	1	50B113-10	80	1	550721	132 - 8	1
491084-20	148	1	5001-1	151	1	550800	160	NP
491084-30	148	1	50291	63 - 14	2	550801	160	NP
491136	91 - 62	11	505	59 - 47	1	550802	160	NP
	95 - 58		50539	59 - 48	1	550803	47	NP
491158	91 - 61	1	5058	55	2	550804	47	NP
491211	93 - 3	1	5059C	55	1	550831	21 - 41	1
491212	93	1	508	114 - 21	4	550831-1	21	1
491215	93 - 4	1	51014	98 - 37	1	550832	21 - 42	1
491216	93	1	51014-1	98	1	550832-1	21	1
491256	94 - 30	1	51026	98 - 31	8	550833	21 - 43	1
491261	94 - 26	6	51055	98 - 32	5	550833-1	21	1
491513	95 - 1	1	51063	98 - 2	1	550835	21	NP
491514	95	1	51064	98 - 3	1	550835-1	21	NP
491531	95 - 9	2	51065	98 - 4	7	550845	78 - 1	NP
491532	95 - 10	2	51066	98 - 5	7	550870	156	NP
491905	91 - 36	4	51076	98 - 33	8	550870-2	156 - 3	1
	95 - 39		51091	98 - 34	1	550870-4	156 - 4	1
	99 - 2		51092	98 - 35	5	550870-6	156 - 5	1
491942	99 - 39	4	51093	98 - 36	1	550870-8	156-6	1
492003	93 - 10	4	51093-1	98	1	550889	156	1
	96 - 7		51094	98 - 30	1	550890	156	1
492217	99 - 14	1	514045	122	NP	550891	156	1
492218	99 - 9	2	514046	122	NP	550892	156	1
	99 - 15		51408	98	1	550893	156	2
492243	99	1	51408-2	98 - 1	1	550901	156 - 1	1
492286	99	1	51422	98	NP	550903	156 - 41	2
492289	99	1	51433	98 - 20	1	550935	19 - 29	1
492290	99	1	51433-1	98	1	550959	55	1
492352-10	102 - 9	2	51475	43 - 6	1	550960	160 - 25	6
492352-20	102	2	51489	98	1	550960-1	160	6
492615	106 - 7	2	51490	98	1	550985	55	1
492663	106 - 5	1	51491	129 - 29	1	550985-2	55 - 1	1
492664	106	1	51535	98 - 42	NP	550985-4	55	1
492907	106	3	51535-1	98	NP	550999	169	NP
492933	109	NP	51549	98	NP	550999-28	169 - 54	1
	119		51550	98	NP	550999-34	169 - 55	1
492934	109	NP	51551	98	NP	550999-38	169	1
	119		51551-1	98	NP	550999-40	169 - 59	1
492938	110 - 10	1	51552	98	NP	551000	61	1
492975	106 - 8	2	51552-1	98	NP	551001-500	48 - 1	NP
493017	110 - 11	5	51558	98 - 43	1	551004	80	NP
	111 - 11		51558-1	98	1	551004-1	80	NP
	122 - 17		51575	98	1	551005	81 - 1	1
	123 - 16		51595	98 - 25	1	551009	80 - 4	2
	124 - 7		51595-1	98	1		85	
493020	111 - 9	6	51622	98	1	551010	86	NP
	120		51630	98	1	551010-2	86 - 2	1
	124		51631	98	1		88	

Section III
Numerical Parts List

RESTRICTED
AN 01-15EAA-4

PART NUMBER	FIGURE & INDEX NUMBER	TOTAL QTY	PART NUMBER	FIGURE & INDEX NUMBER	TOTAL QTY	PART NUMBER	FIGURE & INDEX NUMBER	TOTAL QTY
551011	86 - 1	1	551143	52	NP	551792	61 - 22	1
551015	86 - 4	1	551144	53	NP	551793	61 - 23	1
551015-2	86 - 27	1	551145	52	NP	551794	61 - 24	1
551016	86 - 36	1	551146	54	NP	551795	61 - 25	1
551020-40	11 - 9	1	551147	56	NP	551796	61 - 26	1
551020-41	11	1	551148	57	NP	551797	61 - 27	1
551020-58	11 - 10	1	551149	68	NP	551798	61 - 28	1
551020-59	11	1	551151	13	NP	551828	38 - 2	2
551020-66	11 - 11	1	551151-1	13	NP	551828-1	38	2
551020-67	11	1	551152	4	NP	551830-502	170	NP
551021	12	NP	551152-1	4	NP	551830-504	170	NP
551022	12 - 1	1	551153	38	NP	551830-506	170	NP
551022-1	12	1	551153-1	38	NP	551830-510	170	NP
551023	12 - 5	1	551154	78	NP	551906	88 - 37	2
551023-1	12	1	551155	49	NP	551917	85 - 6	1
551024	12	NP	551156-2	20 - 4	NP	551934	88 - 50	1
551024-1	12	NP	551156-4	20	NP	551998	39 - 1	NP
551025	14	1	551157	17	NP	551998-1	39	NP
551025-1	14	1	551158	5	NP	551999	17	1
551026	14	1	551158-1	5	NP	552010	48	NP
551026-1	14	1	551159	55	NP	552011	88 - 53	2
551027	142	NP	551160	142	NP	552021	158 - 1	4
551027-500	142	NP	551162	8	NP	552029	158 - 4	1
551028	142	NP	551162-1	8	NP	552030	158 - 5	1
551028-2	142 - 5	2	551171	146	NP	552035	39	2
551028-3	142	2	551171-1	146	NP	552035-1	45 - 1	2
551029	142 - 6	1	551181	1	NP	552039	45	3
551030	144	1	551182	16	NP	552048	39 - 5	1
551033	142 - 42	NP	551182-1	16	NP	552048-16	45 - 2	1
551034	142 - 43	NP	551183	16	NP	552071	48	NP
551035	142	NP	551183-1	16	NP	552071-28	48 - 21	1
551038	142	NP	551184	16	NP	552072	48	NP
551039	142	NP	551184-1	16	NP	552072-38	48 - 22	1
551039-2	142	1	551187	132	1	552081	66	NP
551040	142 - 41	NP	551187-10	132 - 13	1	552093-2	77 - 34	1
551040-2	142	1	551187-12	132 - 9	1	552103	158 - 14	1
551044	143	NP	551187-8	132 - 6	1	552104	158 - 15	1
551045	141	NP	551196	37 - 1	NP	552121	77	NP
551047	143	NP	551196-1	37	NP	552123	75	NP
551048	143	NP	551197	37 - 2	NP	552124	76	NP
551048-2	144	9	551197-1	37	NP	552125	76	NP
551048-4	144	7	551250	169	NP	552128	23	NP
551052	75 - 3	2	551277	169	1	552128-1	23	NP
551054	77	1	551277-2	169 - 43	NP	552136	50 - 1	1
551057	76 - 1	1	551344	169	2	552137	50 - 5	1
551058	76	1	551344-2	169 - 65	1	552138	50 - 12	1
551062	143	NP	551382	85 - 3	2	552140	50 - 8	1
551070	46	NP	551386	16 - 12	NP	552161	47	NP
551072	46 - 5	1	551386-1	16	NP	552163	47	NP
551072-1	46	1	551387	16	NP	552165	16	NP
551080	171	NP	551387-1	16	NP	552165-1	16	NP
551080-2	171	2	551388	16	NP	552167	16	NP
551091	16	NP	551388-1	16	NP	552167-1	16	NP
551091-1	16	NP	551389	16	NP	552169	2	NP
551092	10	NP	551389-1	16	NP	552169-1	2	NP
551092-1	10	NP	551390	16	NP	552171	2	NP
551094	7	NP	551390-1	16	NP	552171-1	2	NP
551095	108	NP	551391	16	NP	552174	8	NP
551095-1	108	NP	551391-1	48 - 35	NP	552174-1	8	NP
551096	108	NP	551407	85 - 1	1	552184	16	NP
551096-1	108	NP	551412	85 - 2	1	552184-1	16	NP
551097-500	75	NP	551412-1	85 - 2	1	552190	142 - 55	1
551100	128	NP	551423	141 - 3	1	552190-2	142	1
551101	135	NP	551435	155	NP	552198	2 - 10	NP
551102	133	NP	551435-2	155 - 8	1	552198-1	2	NP
551102-6	133 - 16	1	551437	155	1	552207	48 - 34	NP
551105	130	NP	551439	155	1	552210	147 - 3	1
551106	137	NP	551461	48 - 23	1	552234	158 - 7	1
551107	137	NP	551462	156 - 38	1	552235	158 - 26	1
551111	137	NP	551463	156 - 39	1	552251	95	1
551112	137	NP	551464	156 - 40	1	552252	91	1
551112-10	137 - 45	1	551470	147	2	552253	91	1
551112-2	137 - 30	2	551471	142 - 35	1	552254	91	1
551112-4	137 - 36	1	551483-1	142	1	552255	91	1
551112-6	137 - 37	5	551624	147 - 1	NP	552257	95	NP
551112-8	137 - 41	1	551657	156 - 16	1	552260	155	1
551115	137	NP	551658	156 - 15	1	552260-2	155	1
551135	145	NP	551664	158	NP	552261	155	1
551136	146	NP	551665	158 - 23	4	552262	155	1
551137	1	NP	551674	142	1	552263	155	1
551138	79	NP	551674-2	142 - 12	1	552268	158 - 25	1
551140	63	NP	551674-4	142 - 11	1	552269	75 - 19	NP
551141	64	NP	551721	155	1	552273	167 - 17	1
551142	52	NP	551736	48 - 32	NP	552274	158 - 6	1
			551748	48	NP	552374	56 - 26	1
			551748-2	48 - 29	1	552385	156 - 2	1
			551791	61	NP			

RESTRICTED

RESTRICTED
AN 01-15EAA-4

Section III
Numerical Parts List

PART NUMBER	FIGURE & INDEX NUMBER	TOTAL QTY	PART NUMBER	FIGURE & INDEX NUMBER	TOTAL QTY	PART NUMBER	FIGURE & INDEX NUMBER	TOTAL QTY
552386	149 - 2	1	552826-6	19 - 38	1	553737	38	NP
552405	144	1	552838	161	NP	553737-1	38	NP
552405-1	144	1	552879	53 - 11	1	553738	38	NP
552406	144	1	552947	24 - 6	1	553738-1	38	NP
552406-1	144	1		40 - 7		553748	170 - 16	2
552409	56	1	552947-1	24	1	553765	14 - 2	2
552415	56 - 13	1		40		553765-1	14	2
552418	144 - 7	1	552948	24	1	553766	14 - 3	2
552418-1	144	1	552955	24 - 17	1	553766-1	14	2
552419	144	1		40 - 1		553767	14 - 6	2
552419-1	144 - 12	1	552955-1	24	1	553757-1	14	2
552420	144	1		40		553768	14 - 7	2
552420-1	144 - 13	1	552956	24	NP	553768-1	14	2
552421	144	1	552956-1	24	NP	553769	14 - 8	2
552421-1	144 - 14	1	552963	143	NP	553781-2	5 - 33	1
552422	144	1	552964	143	NP	553781-4	5 - 32	1
552422-1	144	1	552966	76 - 38	NP	553787	5 - 14	NP
552423	144	1	553038	77 - 38	NP	553787-1	5	NP
552423-1	144	1	553042	75 - 44	1	553788	5 - 15	NP
552452	163	NP	553048	38	NP	553788-1	5	NP
552453	164	NP	553048-1	38	NP	553795	66	NP
552465	23 - 25	NP	553081	144	1	553817	75	NP
552466	23	NP	553081-1	144 - 3	1	553825	24	NP
552471	149 - 3	1	553082	144	1	553825-1	24	NP
552476	38	NP	553082-1	144 - 4	1	553831-10	19	1
552476-1	38	NP	553083	144	NP	554018	48	NP
552482	158	NP	553084	143	NP	554018-2	48 - 20	1
552483	155 - 11	NP		144		554098	55 - 2	1
552484	150	NP	553127	145 - 19	1	554105	12 - 21	1
552484-10	150	1	553163	24 - 5	1	554106	12 - 15	1
552484-2	150	2	553163-1	24	1	554151	53	1
552484-4	150	2	553190	12 - 23	1	554158	49	NP
552484-6	150	1	553190-1	12	1	554160	48	NP
552484-7	150	1	553202	89 - 1	1	554160-2	48 - 17	1
552484-8	150	1	553217	89	NP	554167	53 - 10	1
552485	150	NP	553232	86 - 3	NP	554168	48	NP
552485-10	150	2		89		554168-2	48 - 2	1
552485-2	150	1	553238	59	NP	554176	169	1
552485-4	150	1	553268	50	NP	554176-2	169 - 27	1
552485-6	150	2	553285	147 - 12	NP	554176-4	169 - 28	1
552485-8	150 - 23	2	553287	38	NP	554176-6	169 - 29	1
552496	56 - 23	1	553287-1	38	NP	554176-7	169 - 30	1
552528	80 - 5	1	553288	39	NP	554180	160	NP
552546	56 - 1	1	553288-1	39	NP	554180-2	160 - 16	1
552563	149	NP	553288-2	39 - 2	1	554180-4	160 - 15	1
552563-2	149 - 1	1	553288-3	39	1	554180-6	160 - 14	2
552573	48	1	553293	8 - 1	1	554189	24	1
	75		553293-1	8	1	554190	24 - 2	1
552584	143	NP	553295	39 - 4	1	554200	20	NP
	144		553295-1	39	1	554209	37 - 10	AR
552585	143	NP	553306	78	NP	554210	37	AR
	144		553331	49	NP	554211	108 - 8	AR
552586	143	NP	553348	49	NP	554212	108	AR
	144		553419	25	1	554218	48	NP
552593	38	NP	553419-1	25	1	554218-2	48 - 16	1
552593-1	38	NP	553458	8 - 6	1	554308	1	NP
552620	66 - 4	1	553458-1	8	1	554386	6	NP
552623	143 - 3	2	553472	8 - 5	1	554386-1	6	NP
552624	143	1	553472-1	8	1	554464	128	NP
552631	143	2	553491	163	NP	554468	129	NP
552648	12 - 2	1	5535	171	1	554472	130	NP
552648-1	12	1	553518	66	1	554479	137	NP
552649	12 - 3	1	553521	51	NP	554491	61	NP
552649-1	12	1	553523	4	NP	554491-1	61	NP
552654	66 - 1	1	553523-1	4	NP	554532	67	1
552654-10	66	1	553546	147 - 13	NP	554603	145	1
552654-14	66	1	553546-10	147	1	554604	145	1
552678	155 - 5	NP	553546-12	147	1	554610	37 - 9	AR
552679	155	1	553546-14	147	1	554611	37	AR
552679-1	155	1	553550	5	NP	554639	169 - 52	1
552681	155 - 3	NP	553550-1	5	NP	554645	20	NP
552682	155	1	553550-14	5 - 10	1	554646	20	NP
552682-1	155	1	553550-15	5	1	554647	145	1
552686	155	2	553556	16	NP	554649	85	NP
552686-1	155	2	553556-1	16	NP	554669	53 - 1	1
552687	155	2	553566	39 - 3	1	554677	160 - 26	NP
552687-1	155	2	553566-1	39	1	554700	160 - 18	1
552694	149 - 8	1	553567	38	NP	554700-2	160 - 19	1
552706	38	NP	553567-1	38	NP	554700-4	160 - 20	1
552706-1	38	NP	553568	49	NP	554700-6	160 - 21	1
552730	12 - 4	1	553670	49	NP	554700-8	160 - 22	1
552730-1	12	1		156		554704	160	1
552738	19 - 17	1	553670-10	156 - 37	1	554770	147 - 8	NP
552739	19	1	553670-12	156 - 35	1	554784	108	AR
552795	53	NP	553670-14	156 - 36	1	554785	108	AR
552826	19	NP	553670-16	156	1	554805	25	NP
552826-2	19 - 37	1	553670-18	156 - 30	1	554805-1	25	NP

Section III
Numerical Parts List

RESTRICTED
AN 01-15EAA-4

PART NUMBER	FIGURE & INDEX NUMBER	TOTAL QTY	PART NUMBER	FIGURE & INDEX NUMBER	TOTAL QTY	PART NUMBER	FIGURE & INDEX NUMBER	TOTAL QTY
554845	48	NP	555353-1	105 - 11	1	556255	169	1
554845-16	48 - 28	1	555366	21	NP	556261	143 - 19	1
564858	48 - 4	NP	555366-26	21 - 21	1	556261-1	143	1
554881	24 - 8	6	555372	48	NP	556262	143 - 20	1
	24 - 13		555372-4	48 - 30	1	556262-1	143	
	24 - 14		555376	49	NP	556266-2	114	
554951	144 - 18	1	555392	68	1	556266-4	114	NP
554952	144 - 19	1	555436	99	NP	556266-6	114	NP
554953	144 - 20	1	555436-1	99	NP	556266-8	114	NP
554995	61	NP	555437	99	NP	556280-100	91	3
555021	136 - 19	1	555437-1	99	NP		95	
555032	10 - 6	1	555438	99	NP	556280-142	91	2
555033	16	AR	555438-1	99	NP	556280-143	91	1
555037	10	1	555439	99	NP	556280-150	91	2
555038	16	AR	555439-1	99	NP		95	
555041	48	NP	555441	49	NP	556280-151	91	1
555041-12	48 - 27	1	555447	21	NP	556280-152	91	1
555049	54 - 1	1	555447-1	21	NP	556280-154	91	1
555076	49 - 27	AR	555447-22	21 - 2	1	556280-160	91	2
555114-2	105	NP	555447-23	21	1		95	
555114-4	105	NP	555448	21	NP	556280-161	95	1
555116-2	105	NP	555448-26	21 - 20	NP	556280-162	91	1
555116-4	105	NP	555451	4	NP	556280-2	95	1
555119	147 - 9	NP	555451-1	4	NP	556280-227	91	1
555127	48	NP	555462	165	NP	556280-238	91	1
555127-4	48 - 26	1	555464	165	NP	556280-26	91	2
555128	147 - 10	NP	555490	68	1		95	
555128-18	147	2	555491	68 - 4	1	556280-28	91	2
	152 - 20		555492	68 - 8	1		95	
555128-20	147	1	555493	137 - 9	1	556280-32	95	
555128-22	147	1	555495	143	NP	556280-4	91	NP
555128-24	147	1	555495-1	143	NP	556280-42	91	2
555128-8	152 - 21	1	555499	65 - 8	1		95	
555138	8	NP	555500	65	NP	556280-58	91	2
555138-1	8	NP	555553	49 - 29	NP		95	
555139	162	NP	555628	95 - 38	1	556280-6	95	1
555144	49	NP	555628-1	95	1	556280-62	91	2
555157-2	105	NP	555684	21 - 14	1		95	
555157-4	105	NP	555684-1	21	1	556280-68	91	2
555157-38	105 - 24	1	555744	38	AR		95	
555157-39	105	1	555745	38 - 46	AR	556280-70	95	1
555157-40	105 - 25	1	555801-4	162	NP	556280-71	95	1
555157	105	1	555801-6	162	1	556280-8	91	NP
555169	67	NP	555802	49	AR	556280-86	91	2
555169-2	67 - 17	1	555815	143	1		95	
555170	67	AR	555817	143 - 7	1	556280-87	91	2
555176	17	NP	555831	164	NP		95	
555176-1	17	NP	555862	28	NP	556280-98	95	1
555176-2	17	1	555862-20	28 - 3	1	556297	47 - 8	NP
555176-4	17	1	555862-8	28 - 2	1	556309	142 - 48	1
555176-5	17	1	555895-500	171 - 5	1	556326	91 - 35	1
555176-6	17	1	555899-4	162	NP	556328	67	NP
555176-7	17	1	555899-42	162	NP	556364	91 - 28	2
555176-8	17	1	555899-8	162	1		95 - 30	
555181	8	NP	555935-24	162	1	556387	25	NP
555208	48	NP	555935-26	162	1	556389	48 - 33	NP
555208-20	48 - 18	1	555935-4	162	NP	556420	44	NP
555223	17 - 53	1	556007	171 - 6	8	556420-1	44	NP
555243	137 - 8	1	556008	171 - 7	8	556450	4	NP
555253	38 - 45	AR	556011	162	1	556450-1	4	NP
555257	49 - 28	AR	556044	98 - 29	1	556467	48	NP
555265	30	AR	556044-1	98	1	556472	62	NP
555286	27 - 9	1	556075	91 - 59	1	556477	137 - 35	1
555293	164 - 11	1	556075-1	91	1	556478	137 - 33	1
555301	21 - 23	1	556077	95 - 65	1	556479-6	137 - 34	1
555301-1	21	1	556077-1	95	1	556485	139	NP
555302	21	NP	556123	99	NP	556500-2	62 - 1	1
555302-1	21	NP	556123-1	99	NP	556500-4	62 - 5	1
555302-2	21 - 22	1	556125	18 - 13	1	556502	66	NP
555302-3	21	1	556136	61	NP	556506	66 - 24	1
555304	155	NP	556136-2	61 - 39	1	556507	66 - 23	1
555308	155	1	556152	47	NP	556517	20	NP
555309	155	1	556153	19	NP	556517-1	20	NP
555316	4	NP	556153-1	19	NP	556542	44	NP
555316-1	4	NP	556155	19	NP	556542-1	44	NP
555342	166	NP	556155-1	19	NP	556556	101 - 2	NP
555346	166 - 8	1	556164-2	91 - 16	1	556556-1	101	NP
555349	166 - 9	1	556164-24	95	1	556557	24	1
555351-2	105	NP	556164-4	95 - 19	1	556557-1	24	1
555351-4	105	NP	556166	86 - 89	AR	556566	45 - 6	1
555351-6	105	1	556216-56	143 - 16	1	556575	45	2
555351-8	105 - 1	1	556216-58	143	1	556575-1	45	2
555352-2	105	NP	556221	24 - 25	1	556583	83	NP
555352-4	105	NP	556221-1	24	1	556583-8	86	1
555352-6	105 - 8	1	556237	170	1	556593	53	1
555352-8	105	1	556238	170 - 2	1	556598	75 - 4	2
555353	105 - 4	1	556247	18 - 8	1		77 - 2	

RESTRICTED
AN 01-15EAA-4

Section III
Numerical Parts List

PART NUMBER	FIGURE & INDEX NUMBER	TOTAL QTY	PART NUMBER	FIGURE & INDEX NUMBER	TOTAL QTY	PART NUMBER	FIGURE & INDEX NUMBER	TOTAL QTY
556599	76 - 40	1	556993	115	NP	557189-2	152 - 14	2
556616	20 - 6	1	556993-16	115 - 23	8	557189-4	152 - 15	2
556616-1	20	1	556993-24	115 - 14	1	557189-8	152 - 17	2
556617	20 - 7	1	556993-26	115 - 15	1	557195	160 - 11	NP
556617-1	20	1	556993-28	115 - 18	1	557198	116 - 19	8
556618	20 - 9	1	556993-32	115 - 24	2	557216	36	NP
556618-1	20	1	556993-34	115 - 19	1	557216-20	36 - 14	1
556619	20 - 10	1	556993-4	115 - 16	8	557216-21	36 - 15	1
556619-1	20	1	557001	115	NP	557216-24	36 - 17	1
556620	20 - 11	1	557002	115	NP	557219	156	NP
556620-1	20	1	557003	126	NP	557219-20	156 - 28	1
556621	20 - 12	1	557004	126 - 5	8	557223	150	NP
556621-1	20	1	557005	126 - 1	1	557225	16	NP
556623	101	NP	557005-2	126 - 7	8	557225-1	16	NP
556623-1	101	NP	557005-6	126 - 8	8	557233	16	NP
556638	17	NP	557010	116	1	557233-1	16	NP
556638-1	17	NP	557012	116	NP	557235	147	NP
556644	25	1	557014	115	NP	557242	17	NP
556657	67	NP	557014 10	115 - 9	2	557242-1	17	NP
556657-2	67 - 13	1	557014-12	115 - 13	16	557244	49	NP
556661	87	NP	557014-2	115 - 8	1	557247	99	1
556661-1	87	NP	557014-40	115 - 10	2	557248	99	1
556732	168	NP	557014-42	115 - 11	2	557258	117 - 1	1
556732-1	168	NP	557014-44	115 - 12	2	557266	151 - 5	NP
556734	169	NP	557014-46	115	16	557267	20	NP
556738	147 - 18	NP	557015	115 - 28	NP	557269-2	20 - 5	NP
556738-1	147	NP	557015-1	115	NP	557269-4	20	NP
556738-10	147	2	557015-2	115	1	557270	44	NP
556738-11	147	2	557015-3	115	1	557273	36 - 16	2
556738-14	147 - 20	4	557015-4	115	1	557290	53 - 38	1
556738-16	147	4	557015-44	115	1	557300	157	1
556738-6	147 - 19	4	557015-45	115	1	557300-1	157	1
556738-7	147 - 21	2	557015-5	115	1	557300-10	157 - 5	1
556741	107	NP	557015-5	115	1	557300-11	157	1
556741-1	107	NP	557016	116	NP	557300-12	157	8
556744	107 - 5	1	557016-2	117	1	557300-16	157	2
556760	16	1	557016-28	117 - 20	1	557300-18	157 - 21	2
556760-1	16	1	557017	118	NP	557300-2	157 - 1	1
556761	16	NP	557017-2	118	8	557300-4	157 - 2	1
556761-1	16	NP	557027-2	171	1	557300-6	157 - 3	1
556762	46 - 6	1	557027-3	171	1	557300-8	157 - 4	1
556762-1	46	1	557027-4	171	1	557301	157 - 8	1
556775	130 - 1	1	557027-5	171	1	557301-1	157	1
556785	137 - 31	1	557028-2	171	1	557302	157 - 9	2
556785-14	137	1	557028-3	171	1	557332	157	1
556816	20	NP	557028-4	171	1	557352	40	NP
556816-1	20	NP	557028-5	171	1	557352-1	40	NP
556817	20	NP	557062-122	118 - 8	1	557353	44	1
556817-1	20	NP	557062-134	118 - 9	1	557353-1	44	1
556818	20	NP	557062-210	116 - 21	8	557357	24	NP
556818-1	20	NP	557062-214	118	NP	557357-1	24	NP
556839	58	NP	557062-226	118 - 10	1	557357-4	24	1
556839-2	58	1	557063	142	1	557385	56 - 4	1
556840	75	NP	557063-10	142	1	557386	56	1
556859	107 - 1	1	557063-2	142 - 23	1	557423	168 - 5	AR
556872	146	1	557063-48	142 - 26	1	557427	16	NP
556880	126 - 2	1	557063-52	142 - 27	1	557427-1	16	NP
556881	37	NP	557063-54	142	1	557429	157	NP
556881-1	3	NP	557097	142 - 31	1	557435	118 - 1	1
556923	126 - 3	1	557101	142	1	557436	157	1
556961	44	NP	557102	142 - 24	1	557439	151 - 64	NP
556962	44	NP	557103	142 - 28	1	557471-2	44 - 7	1
556965	75 - 20	NP	557104	142 - 25	1	557471-4	44 - 9	1
556968	176 - 18	AR	557114	160	2	557471-6	44 - 11	1
556969	37 - 18	AR	557121	65 - 13	AR	557472	43	NP
556971	58	NP	557132	99	1	557472-1	43	NP
556973	16 - 17	2	557133	99 - 31	1	557472-10	43 - 7	1
556973-1	16	2	557134	99 - 32	1	557472-100	43	1
556976	147 - 14	NP	557145-2	99	1	557472-101	43	1
556976-10	147	1	557145-4	99	1	557472-11	43	1
556976-12	147	NP	557146-38	99 - 12	1	557472-12	43	1
556976-4	147	1	557146-48	99	1	557472-142	36	11
556977	65	NP	557155	103 - 9	2	557472-144	43	1
556978	61 - 20	4	557161	20	NP	557472-16	43	1
556981	61 - 21	4	557162	20	NP	557472-22	43	2
556985	36	1	557162-1	20	NP	557472-52	43 - 2	1
556985-1	36	1	557171	145	1	557472-53	43	1
556985-10	36 - 7	2	557172	145	1	557472-56	43	1
556985-21	36	1	557173	145	1	557472-6	43	1
556985-24	36	1	557183	8 - 12	1	557472-7	43	1
556985-25	36	1	557183-1	8	1	557472-8	43	1
556985-4	36	1	557186	75 - 28	1	557472-86	43 - 5	1
556985-5	36 - 6	1	557189	152	NP	557480	115 - 26	NP
556985-9	36 - 9	4	557189-10	152 - 19	2	557480-1	115	NP
556986	126 - 4	1	557189-14	152 - 19	2	557480-2	115	1
556990	61	NP	557189-16	152 - 13	1			
			557189-18	152 - 1	1			

Section III
Numerical Parts List

RESTRICTED
AN 01-15EAA-4

PART NUMBER	FIGURE & INDEX NUMBER	TOTAL QTY	PART NUMBER	FIGURE & INDEX NUMBER	TOTAL QTY	PART NUMBER	FIGURE & INDEX NUMBER	TOTAL QTY
557480-3	115	1	557696-2	43 - 16	1	558052	152 - 35	1
557480-4	115	1	557696-20	43	1	558059	44	1
557480-5	115	1	557696-21	43	1	558106	53	NP
557480-6	115	1	557696-22	43 - 11	1	558160	53 - 41	1
557480-7	115	1	557696-26	43	8	558171	52	NP
557489	16 - 20	1	557696-28	43 - 14	2	558172	13 - 1	NP
557489-1	16	1	557696-30	43 - 15	2	558172-1	13	NP
557495	117	NP	557696-4	43	1	558173	163	NP
557495-10	117 - 16	1	557696-5	43	1	558174	164	NP
557495-16	117	4	557696-6	43	1	558179	152 - 28	1
557495-18	117 - 17	1	557696-7	43	1	558193	49	AR
557495-2	117 - 15	1	557696-74	43 - 18	1	558197	44 - 15	1
557495-28	117 - 11	1	557696-75	43	1	558201	24 - 16	1
557495-36	117 - 12	1	557696-8	43	1	558201-1	24	1
557495-42	117 - 13	1	557696-86	43	2	558218	4	NP
557495-48	117 - 10	2	557696-9	43	1	558218-1	4	NP
557495-50	117 - 14	1	557696-98	43 - 10	1	558225	104	NP
557495-56	117 - 9	2	557701	49	NP	558225-1	104	NP
557497	24 - 7	1	557702	4	NP	558226	152 - 27	1
557497-1	24	1	557702-1	4	NP	558233	46	NP
557500	99	1	557704	152	NP	558233-1	46	NP
557513	20	NP	557707	36 - 20	1	558233-26	46 - 10	1
557515	24	1	557707-2	36 - 21	1	558233-28	46 - 8	1
557515-1	24	1	557737	26	NP	558233-30	46 - 7	1
557532	151 - 6	NP	557737-20	26 - 22	2	558233-32	46 - 9	1
557540	1	1	557737-28	26 - 2	1	558246	53 - 47	1
557543	151 - 12	8	557737-30	26 - 3	1	558247	53 - 46	1
557551	17	NP	557737-32	26 - 4	1	558283	116	NP
557551-1	17	NP	557737-36	26 - 10	1	558284	13 - 6	2
557551-22	17 - 8	1	557737-42	26 - 21	1	558284-1	13	2
557567	151 - 11	NP	557737-44	26 - 12	1	558285	13 - 51	NP
557568	151 - 10	NP	557737-46	26 - 14	1	558286	13	NP
557569	151 - 9	NP	557737-48	26 - 15	1	558294	116	NP
567570	151 - 8	NP	557737-50	26 - 16	1	558316	66	NP
557571	151 - 7	NP	557737-52	26 - 17	1	558360	52	NP
557572	151 - 4	NP	557737-54	26 - 18	1	558364	46 - 12	NP
557580	13 - 2	NP	557737-56	26 - 19	4	558364-1	46	NP
557580-1	13	NP	557737-60	26 - 26	1	558385	63	NP
557581	13 - 13	2	557737-62	26 - 27	1	558393	4 - 2	1
557581-1	13	2	557738	25	NP	558393-1	4	1
557590	76 - 63	NP	557738-1	25	NP	558418	13 - 50	NP
557594	115 - 29	NP	557759	61	NP	558419	13	NP
557594-1	115	NP	557760	126	1	558442	98	NP
557594-2	115	1	557761	126	1	558442-1	98	NP
557594-3	115	1	557762	126	1	558442-4	98 - 45	1
557594-4	115	1	557763	126	1	558442-5	98	1
557594-5	115	1	557777	116	NP	558443	46 - 11	NP
557594-6	115	1	557777-10	116 - 17	4	558443-1	46	NP
557594-7	115	1	557777-14	116 - 18	2	558447	17	NP
557595	36 - 10	NP	557780	53 - 39	1	558447-2	17 - 51	1
557598	61 - 44	2	557797	153 - 14	8	558447-4	17	1
557608	115 - 27	NP	557798	153 - 18	1	558477	116	NP
557608-1	115	NP	557827	53	NP	558477-2	116 - 6	1
557608-2	115	NP	557827-8	53 - 49	1	558477-4	116	1
557608-3	115	NP	557830-500	25 - 51	1	558497	150 - 68	NP
557608-4	115	NP	557830-501	25	1	558508	150 - 63	NP
557608-5	115	NP	557835	5 - 17	1	558508-10	150 - 64	1
557608-6	115	NP	557835-1	5	1	558508-12	150 - 65	1
557608-7	115	NP	557836	5 - 27	1	558509	4	2
557609	158	NP	557836-1	5	1		49 - 26	
557612	158 - 29	1	557837	5 - 25	1		51 - 26	
557612-1	158	1	557837-1	5	1		51 - 26	
557613	11 - 16	1	557851	151 - 65	NP	558509-1	4	1
557613-1	11 - 17	1	557882	151	NP	558510	4 - 3	1
557627	127 - 1	1	557888	153	NP	558511	4 - 4	1
557629	127	NP	557889	153 - 2	1	558542	159 - 27	1
557634	155	1	557890	153 - 1	8	558543	159 - 28	1
557634-1	155	1	557891	153 - 3	8	558545	159 - 29	1
557638	91	1	557891-14	153	2	558572	40	NP
557638-1	91	1	557891-8	153	1	558572-1	40	NP
557639	95	NP	557892	153 - 12	4	558597	86	1
557640	44	1	557892-1	153	4	558668-2	171 - 2	1
557641	44	1	557894	153 - 4	4	558674	47	NP
557653	44 - 14	1	557894-1	153	4	558715	94	NP
557654	44	1	557925	16	NP	558715-14	94 - 15	1
557696	43	NP	557925-1	16	NP	558715-22	94 - 17	2
557696-1	43	NP	557933	98	NP	558715-26	94 - 16	1
557696-10	43	1	557933-1	98	NP	558715-28	94 - 23	1
557696-100	43	1	557936	158 - 30	1	558715-30	94 - 14	1
557696-116	43	1	557936-1	158	1	558725	49	NP
557696-117	43	1	557982	155 - 12	NP	558726	49 - 17	1
557696-118	43	1	557983	158	NP	558727	16	NP
557696-119	43	1	557999	53	1	558727-1	16	NP
557696-16	43 - 13	1	558004	13 - 26	2	558741	171 - 8	10
557696-17	43	1	558004	13 - 46	1	558744	106	NP
557696-120	43	1	558048	16	NP	558744-1	106	NP
557696-121	43	1	558048-1	16	NP	558745	160 - 11	1

RESTRICTED
AN 01-15EAA-4

Section III
Numerical Parts List

PART NUMBER	FIGURE & INDEX NUMBER	TOTAL QTY	PART NUMBER	FIGURE & INDEX NUMBER	TOTAL QTY	PART NUMBER	FIGURE & INDEX NUMBER	TOTAL QTY
558745-1	106	1	559025-24	61	1	559516	169	NP
558766	27 - 5	1	559025-32	61	1	559516-6	169	1
558819	106	NP	559044	107	NP	559521	131	NP
558819-1	106	NP	559057	24	NP	559559	53	1
558822	25	NP	559057-1	24	NP	559577	46 - 1	1
558822-1	25	NP	559060	25	NP	559577-1	46	1
558822-8	25 - 49	1	559060-1	25	NP	559579	9 - 5	1
558822-9	25	1	559102	91	NP	559580	169	1
558823	25	NP		95		559582	9 - 6	1
558823-1	25	NP	559109	49	AR	559583	9 - 7	1
558823-8	25 - 47	1	559110	49 - 30	NP	559610	169	1
558823-9	25	1	559115	16	NP	559612	169	1
558824	17	NP	559115-1	16	NP	559628	169 - 33	2
558827	3 - 3	NP	559117	24	1	559629	169 - 32	6
558827-2	3	1	559117-1	24	1	559633	47	NP
558828	17	NP	559125	49 - 23	AR	559633-23	47	1
558829	17	NP	559126	49 - 22	1	559633-22	47	4
558830	17	NP	559137	24	NP	559633-24	47	1
558831	3 - 2	NP	559137-1	24	NP	559637	47	1
558831-22	3	1	559140	107 - 10	1	559662	34 - 1	4
558832	17	NP	559143	49 - 25	1	559663	34	NP
558836	118 - 2	1		51 - 3		559663-1	34	NP
558841	171	1	559144	51 - 24	1	559672	67	NP
558850	54	NP	559161	24	NP	559672-2	67 - 2	1
558851	53	NP	559161-1	24	NP	559678	34 - 2	1
558852	52 - 6	NP	559164	114 - 20	AR	559678-10	34 - 3	1
558853	52	3	559169-4	127 - 3	1	559678-14	34 - 7	1
	53		559173	127 - 10	1	559678-2	34 - 4	1
	54 - 6		559238	160 - 10	NP	559678-6	34 - 5	1
558873	91	NP	559238-1	160	NP	559678-8	34 - 6	1
	95		559248	160 - 9	NP	559693	169 - 31	4
558875	52 - 7	1	559248-1	160	NP	559710	137 - 12	1
558877	52 - 8	NP	559260	142 - 40	2	559736	61 - 32	1
558878	53 - 34	NP	559268	53	NP	559736-1	61	1
558895	25 - 56	NP	559294	29	NP	559742	61 - 34	1
558895-1	25	NP	559300	33 - 2	8	559742-1	61	1
558896	25 - 57	NP	559300-2	33	1	559751	130	1
558896-1	25	NP	559300-4	33 - 17	1	559789	169 - 64	1
558896-2	25 - 65	5	559301	33 - 6	1	559797	61 - 30	1
558897	25 - 58	NP	559304	33 - 3	2	559799	48	1
558897-1	25	NP		35 - 8		559799-2	48 - 36	1
558898	25 - 59	NP	559305	33 - 4	1	559805	106 - 28	1
558898-1	25	NP	559317	35 - 23	2	559805-1	106	1
558899	25 - 60	NP	559330	33	NP	559817	147	NP
558899-1	25	NP	559330-1	33	NP	559818	147 - 23	NP
558900	25 - 1	5	559344	16	NP	559819	147	4
558905	3	NP		33		559824	9 - 8	1
558906	54	NP	559344-1	16	NP	559827	147 - 24	NP
558909	63	NP		33		559827-1	147	NP
558911	98	NP	559351	99 - 38	6	559829	147 - 25	NP
558911-1	98	NP	559357	116	NP	559829-1	147	NP
558911-10	98 - 26	2	559403	91	1	559850	41 - 20	AR
558912	19 - 32	1	559412	169	NP	559850-1	41	AR
558922	49	NP	559412-2	169 - 4	1	559862	24	NP
558923	9	NP	559413	169	NP	559863	24	NP
558926	49 - 12	1	559413-2	169	1	559866	9	1
558923-1	9	NP	559414	169 - 7	NP	559869	9	1
558930	99	1	559415	169	NP	559870	9	1
558931	99	1	559416	169	1	559871	9	1
558932	99	1	559424	168	NP	559872	9	1
558933	99	1	559424-1	168	NP	559877	130	1
558935	54 - 9	NP	559428	56 - 15	1	559880	61	NP
558937	25	NP	559429	42 - 19	1	559888	33	2
558937-1	25	NP	559429-1	42	1	559889-4	33 - 54	1
558938	9 - 4	NP	559432	113	NP	559889-5	33	1
558939	9	NP	559432-10	113	2	559889-6	33 - 55	1
558949	54 - 10	NP	559432-12	113	2	559889-7	33	1
558953	171	4	559432-14	113	2	559890	33 - 58	4
558953-1	171	4	559432-16	113	4	559890-1	33	4
558960	19	NP	559432-2	113	2	559920	147 - 28	NP
558962	53 - 35	NP	559432-26	113	2	559928	61	1
558966	53 - 37	NP	559432-28	113	2	559929	61	1
558967	53 - 33	NP	559432-30	113	2	559931	147 - 29	NP
558968	53 - 36	NP	559432-4	113	4	559937	147 - 22	NP
558970-14	52	1	559432-6	113	2	559942	34 - 26	2
558970-50	52 - 26	1	559432-8	113	2	559942-1	34	2
558981	162 - 8	NP	559438	29 - 67	AR	559972	116 - 2	NP
558987	99 - 27	1	559439	29 - 32	1	559972-10	116	1
558987-1	99	1	559440	29 - 49	1	559972-12	116	1
558988	99 - 28	1	559441	137	NP	559972-14	116	1
558988-1	99	1	559441-2	137 - 16	1	559972-2	116	1
558996	171 - 4	1	559443	33 - 23	1	559972-4	116	1
559001	113 - 13	1	559443-2	33 - 24	1	559972-5	116	1
559005	68 - 11	NP	559452	137	NP	559972-6	116	1
559010	107	NP	559460	99	1	559972-64	116	1
559025	61	NP	559472	169	1	559972-66	116	1
559025-2	61	1	559502	169	NP	56-1467-1	99 - 40	4

Section III
Numerical Parts List

RESTRICTED
AN 01-15EA-4

PART NUMBER	FIGURE & INDEX NUMBER	TOTAL QTY	PART NUMBER	FIGURE & INDEX NUMBER	TOTAL QTY	PART NUMBER	FIGURE & INDEX NUMBER	TOTAL QTY
56-1467-2	99	4	560446	35 - 10	1	560765	168	AR
56-1467-3	99 - 41	4	560453	35 - 36	1	560766	112	1
56-1467-4	99	4	560460	67	NP	560766-1	112	1
56B788	42 - 15	1	560460-22	67 - 7	1	560789	147	NP
560000	1	NP	560460-24	67 - 8	1	560789-1	147	NP
560015	17 - 21	1	560460-26	67 - 9	1	560790	147	NP
560016	17	1	560461	134	NP	560791	147	NP
560019	17	NP	560461-4	134 - 19	1	560799	67	NP
560019-1	17	NP	560487	29 - 48	1	560799-2	67 - 10	1
560020	17	NP	560488	29 - 41	1	560799-500	67	NP
560020 1	17	NP	560499	67	NP	560799-6	67 - 11	1
560054	138	NP	560499-2	67 - 23	1	560802	67	NP
560055	137	NP	560502	116	NP	560802-20	67 - 5	1
560058	137	1	560509	60	NP	560829	52	1
560079	61	1	560509-2	60 - 9	1	560830	52	1
560079-1	61	1	560530	69	NP	560831	52 - 19	NP
560095	35 - 1	4	560536	60 - 7	1	560833	9	1
560095-2	35	1	560568	91	NP	560841	27 - 6	1
560095-4	35	1		95		560847	56	1
560095-6	35 - 12	1	560571	28	1	560848	92 - 1	2
560156	99 - 17	1	560572	28	1		97 - 1	
560157	94 - 31	1	560579	2	NP		56	1
560163	137 - 38	1		167		560865	52	1
560167	25 - 45	NP	560580	167	AR	560879	52	1
560160	142 - 29	4	560581	167	NP	560880	52 - 20	NP
560191	36	NP	560582	167 - 11	AR	560882	169	NP
560191-1	36	NP	560590	67	AR	560882-4	169	1
560192	36	NP	560593	112 - 6	1	560883	186 - 8	2
560192-1	36	NP	560630-4	112 - 20	1	560884	186 - 9	1
560195	9	NP	560630-6	112 - 21	2	560897	41	NP
560195-1	9	NP	560630-8	112	1	560897-1	41	NP
560206	161	NP	560648	167 - 2	1	560901	92 - 97	2
560206-1	161	NP	560649-2	167 - 4	1	560902	97	NP
560225	137	NP	560649-4	167 - 5	1	560902-10	97 - 20	8
560229	169 - 53	1	560656	170 - 14	1	560902-12	97 - 21	1
560235	12	NP	560657	170	1	560902-14	97 - 22	1
560235-1	12	NP	560657-500	170 - 24	1	560902-16	97 - 23	1
560235-6	12 - 7	1	560662	94 - 28	1	560902-2	97 - 17	6
560235-7	12	1	560665	112 - 12	1	560902-4	97 - 18	1
560236	12	NP	560665-1	112	1	560902-6	97 - 10	1
560236-1	12	NP	560666	112 - 20	1	560902-8	97 - 19	1
560236-22	12 - 9	1	560666-1	112	1	560929	126 - 6	8
560236-23	12	1	560667	112 - 16	NP	560939	41	AR
560242	169	NP	560667-2	112	1	560944	9	1
560242-2	169 - 36	1	560667-4	112	2	560945	9	1
560246	169 - 17	1	560667-6	112	4	560967	170 - 26	1
560247	169 - 16	1	560668	112	NP	560968-2	170 - 18	1
560255	25	1	560668-2	112 - 29	7	560968-3	170 - 19	1
560257	115	NP	560668-4	112 - 30	2	560968-4	170 - 20	1
560260	63	NP	560669	112	NP	560968-5	170 - 21	1
560276	68	NP	560670-4	112 - 17	2	560969-2	170	1
560279	63 - 19	3	560670-6	112 - 18	2	560969-3	170	1
560280	63	NP	560672	112 - 11	1	560969-4	170	1
560331	47	NP	560674	112 - 23	1	560969-5	170	1
560333	144	NP	560675	112 - 24	2	560979	147	NP
560344	54 - 11	NP	560676	112 - 14	1	560983-2	108	NP
560351	52	NP	560676	170 - 13	2	560983-4	108 - 11	NP
560352	112	NP	560678	170 - 22	1	50998	53	1
560352-1	112	NP	560678-500	170 - 23	1	561002	27	1
560353	112 - 1	1	560682	72 - 1	1	561003	27 - 7	1
560353-1	112	1	560683	9	1	561018	92	2
560354	112 - 2	1	560684	9	1		97	
560354-1	112	1	560687	109	NP	561022	92	NP
560355	112 - 3	1	560687-1	109	NP	561022-14	92 - 44	1
560355-1	112	1	560693	72	1	561022-15	92 - 45	1
560356	112 - 4	1	560693-2	72 - 5	1	561025	97	NP
560356-1	112	1	560693-4	72 - 6	11	561025-14	97 - 51	1
560392	118	NP	560693-6	72 - 7	1	561025-15	97 - 52	1
560392-2	118 - 11	2	560694	167 - 8	AR	561029	92 - 46	1
560392-4	118 - 12	2	560695	167 - 14	AR	561029-1	92	1
560392-6	118 - 13	1	560696	167	NP	561031	92	NP
560392-8	118 - 14	1	560697	167	NP	561031-10	92 - 12	1
560399	158	NP	560711	118	1	561031-12	92 - 40	1
560403	4	NP	560712	118	1	561031-14	92 - 36	1
560403-2	4	1	560740	47	1	561031-2	92 - 10	1
560406	4	1	560743	48	1	561031-4	92 - 30	1
560407	52	1	560744	112 - 13	1	561031-6	92 - 15	8
560419	8	1	560746	112	1	561031-8	92 - 24	8
560420	8	1	560746-1	112	1	561041	67 - 12	NP
560433	116 - 12	NP	560747	112	1	561082	27	NP
560433-2	116	1	560747-1	112	1	561083	27	NP
560433-3	116	1	560750	52 - 32	1	561083-2	27	1
560434	8	1	560762	168	NP	561086-10	97 - 30	1
560438-2	27 - 8	1	560762-1	168	NP	561086-12	92 - 25	1
560438-4	27	1	560763-40	103	1	561086-14	97 - 31	1
560439	142 - 38	2	560763-50	103 - 14	1	561086-16	92 - 37	1
560439-1	142	2	560764	168 - 22	AR	561086-18	97 - 32	1

RESTRICTED
AN 01-15EAA-4

Section III
Numerical Parts List

PART NUMBER	FIGURE & INDEX NUMBER	TOTAL QTY	PART NUMBER	FIGURE & INDEX NUMBER	TOTAL QTY	PART NUMBER	FIGURE & INDEX NUMBER	TOTAL QTY
561086-2	97 - 28	1	574021	16	NP	574148	122	NP
561086-20	92 - 16	1	574022	16	NP	574148-10	122	1
561086-22	97 - 33	1	574025	122	NP	574149	120	NP
561086-24	92 - 14	1	574026	122	NP	574150	120	NP
561086-26	97 - 34	1	574033	124	NP	574151	122	NP
561086-28	92 - 34	1	574034	124	NP	574152	122	NP
561086-30	97 - 35	1	574037	120	NP	574155	120	NP
561086-32	92 - 18	1	574038	120	NP	574156	120	NP
561086-34	97 - 36	1	574043	124	NP	574157	120	NP
561086-3j	92 - 11	1	574044	124	NP	574159	124	NP
561086-3j	97 - 57	1	574045	124	NP	574160	124	NP
561086-4	92 - 28	2	574046	124	NP	574161	123	NP
561086-6	97 - 29	1	574047	120	NP	574162	123	NP
561086-8	99 - 35	1	574048	120	NP	574163	125 - 10	AR
561103	147	NP	574049	124	NP	574164	125	AR
561134	52	NP	574050	124	NP	574175	119	NP
561134-2	52	1	574053	120	NP	574176	119	NP
561135	99 - 21	1	574054	120	NP	574177	122	NP
561135-1	99	1	574055	120	NP	574178	122	NP
561136	99 - 13	1	574056	120	NP	574179	122	NP
561137	99	1	574057	120	NP	574180	122	NP
561152	99 - 20	1	574058	120	NP	574181	122	NP
561156	140	NP	574059	124	NP	574182	122	NP
561168	172	NP	574060	124	NP	574183	122	NP
561168-1	172	NP	574061	122	NP	574184	122	NP
561168-6	172 - 1	30	574062	122	NP	574185	124 - 15	1
561168-8	172 - 5	2	574063	124	NP	574186	124	1
561192	24	NP	574064	124	NP	574187	119	NP
561192-1	24	NP	574065	122	NP	574188	119	NP
561197	24	NP	574066	122	NP	574189	123	NP
561197-1	24	NP	574067	120	NP	574190	123	NP
561233	92 - 22	2	574068	120	NP	574193	123	NP
	97 - 58	2	574075	119	NP	574194	123	NP
561241	24	1	574076	119	NP	574195	123	NP
561241-1	24	1	574081	122	NP	574196	123	NP
561246	24 - 33	1	574082	122	NP	574197	119	NP
561246-1	24	1	574083	123	NP	574198	119	NP
561255	24 - 38	1	574084	123	NP	574199	124	NP
561255-1	24	1	574085	124	NP	574200	124	NP
561257	69	1	574086	124	NP	574203	124	NP
561258	47 - 40	1	574087	120	1	574204	124	NP
561264	31	NP	574088	120	1	574205	120	NP
561264-1	31	NP	574089	120	1	574206	120	NP
561290	69	NP	574090	120	1	574207	120	NP
561309	169	NP	574095	122 - 1	1	574208	120	NP
561310	169 - 67	1	574096	122	1	574209	120	NP
561340	157 - 25	1	574097	122 - 2	1	574210	120	NP
561340-1	157	1	574098	122	1	574215	123	NP
561341	157 - 26	2	574099	123 - 1	1	574215-11	123 - 20	1
561407	136	NP	574100	123	1	574215-9	123 - 19	1
561421	53	1	574101	124 - 1	1	574216	123	NP
561493	31	NP	574102	124	1	574216-11	123	1
561493-1	31	NP	574103	124 - 2	1	574216-9	123	1
561595	68	1	574104	124	1	574217	124	NP
561617	142	1	574105	124 - 3	1	574217-1	124	1
561617-1	142	1	574106	124	1	574217-5	124	1
561618	142 - 17	1	574107	121 - 1	1	574217-6	124	1
561618-1	142	1	574109	124	NP	574218	124	1
561690	29 - 30	1	574110	124	NP	574218-1	124	1
561691	29 - 4	1	574113	121	NP	574218-5	124	1
561700	55 - 16	1	574117	122	NP	574218-6	124	1
561793	76	1	574118	122	NP	574219	122	NP
561978	31	NP	574121	124	NP	574219-1	122 - 26	1
561978-1	31	NP	574122	124	NP	574219-2	122 - 27	1
561978-2	31 - 45	1	574123	123	NP	574219-5	122 - 24	1
561978-3	31	1	574124	123	NP	574219-6	122 - 25	1
572003	17	1	574125	120	NP	574220	122	NP
572004	17	1	574126	120	NP	574220-1	122	1
572069	17	NP	574127	124	NP	574220-2	122	1
572070	17	NP	574128	124	NP	574220-5	122	1
573345	17	NP	574129	124	NP	574220-6	122	1
573346	17	NP	574130	124	NP	574221	120	NP
573589	16	NP	574131	124	NP	574221-1	120 - 22	AR
573590	16	NP	574132	124	NP	574222	120	NP
573591	32	1	574133	124	NP	574222-1	120	AR
573591-11	32 - 14	1	574136	124	NP	574223	120	NP
573591-20	32 - 1	1	574137	123	NP	574224	120	NP
573591-50	32 - 2	4	574138	123	NP	574225	120	NP
573591-60	32 - 3	2	574139	123	NP	574225-1	120 - 19	AR
573591-7	32 - 28	1	574140	123	NP	574225-10	120 - 21	NP
573591-8	32 - 29	1	574141	124	NP	574226	120	NP
573591-9	32 - 13	1	574142	124	NP	574226-1	120	AR
573592	32	1	574143	120	NP	574226-10	120	2
573592-20	32	1	574145	124	NP	575103	67	1
573592-9	32	1	574146	124	NP	575105	67	NP
574013	122	NP	574147	122	NP	575108	67 - 1	1
574014	122	NP	574147-10	122 - 31	1	575109	67	1

ction III
Numerical Parts List

RESTRICTED
AN 01-15EAA-4

PART NUMBER	FIGURE & INDEX NUMBER	TOTAL QTY	PART NUMBER	FIGURE & INDEX NUMBER	TOTAL QTY	PART NUMBER	FIGURE & INDEX NUMBER	TOTAL QTY
75113	74	NP	579673	126 - 24	NP	579801	125	NP
75113-10	74	1	579674	126	NP	579802	125	NP
75113-601	74 - 13	1	579679	17 - 33	1	579803	125	NP
75197	67 - 4	1		126 - 20	1	579804	125	NP
75198	67	1	579680	17	1	579807	125 - 9	AR
75201	67	NP		126		579808	125	AR
75201-10	67 - 3	1	579681	126 - 21	NP	579809	125	AR
75365	74 - 1	1	579682	126	NP	579810	125	NP
75562	61	NP	579683	126 - 19	NP	579811	125	NP
75562-10	61 - 43	1	579684	126	NP	579812	125	NP
758-8	38	2	579689	126 - 16	NP	579813	125	NP
75835	61	1	579690	126	NP	579814	125	NP
77160	27 - 3	1	579691	126 - 14	NP	579827	120	2
77263	119	NP	579692	126	NP	579859	125	NP
77264	119	NP	579695	126	NP	579860	125	NP
77265	119	NP	579696	126	NP	579865	125	NP
77266	119	NP	579701	126 - 10	1	579866	125	NP
77359	99	NP	579702	126	1	579895	125	NP
77360	99	NP	579703	126 - 11	NP	579896	125	NP
79000-500	1 - 11	NP	579704	126	NP	579925	125	NP
	47		579705	126 - 9	NP	579927	125	NP
79000-502	1	NP	579706	126	NP	579928	125	NP
	47		579709	17 - 34	1	579949	125	NP
79000-504	1	NP		126 - 15		579950	125	NP
	47		579710	17	1	580505	48 - 31	NP
79001	48	NP		126		581267	73	NP
79002	61 - 1	1	579737	125 - 1	AR	581267-10	73 - 1	1
79004	48	NP	579738	125	AR	581267-605	73 - 9	1
79005	48	NP	579739	125 - 21	NP	581557	17	NP
79006	48	NP	579739-19	125	1	581558	17	NP
79012	48 - 6	NP	579739-20	125	1	583769	16	NP
79014	70	NP	579740	125	NP	583770	16	NP
79014-600	70 - 1	1	579741	126 - 28	1	584537	19	1
79014-601	70	1	579742	126	1	584537-8	19 - 52	1
79014-637	70 - 5	10	579743	126 - 27	1	584537-10	19 - 53	1
79014-638	70 - 6	1	579744	126	1	584538	19	NP
79014-642	70 - 3	1	579745	126 - 23	1	584538-1	19	1
79014-643	70 - 2	1	579746	126	1	584541	19	NP
79014-644	70 - 4	1	579747	126 - 22	1	584542	19	NP
79015	71	NP	579748	126	1	584543	24	NP
79015-2	71	1	579749	126 - 18	1	584544	24	NP
79015-34	71 - 1	1	579750	126	1	584545	40	NP
79015-4	71 - 3	1	579751	126 - 17	1	584545-1	40	NP
79015-40	71 - 2	1	579752	126	1	584549	19	NP
79015-500	71	NP	579753	126 - 13	1	584550	19	NP
79015-6	71 - 4	1	579754	126	1	584557	24	NP
79025	47 - 11	NP	579755	126 - 12	1	584558	24	NP
79026	47 - 12	NP	579756	126	1	584569	24	NP
79027	47 - 13	NP	579762	121 - 12	NP	584569-1	24	NP
79122	48 - 12	1	579763	121 - 11	NP	584571	24	NP
79131	48	NP	579781	119 - 21	NP	584571-4	24 - 28	1
79162	48 - 8	1	579781-1	119	1	584572	24	NP
79163	48 - 9	1	579781-2	119	2	584572-4	24	1
79164	48 - 10	1	579781-3	119	1	584573	25 - 36	NP
79227	48 - 37	NP	579781-4	119	1	584574	25	NP
79228	48 - 38	NP	579781-5	119	1	584575	91	NP
79368	48 - 11	1	579781-6	119	1	584576	91	NP
79424	48 - 13	1	579781-7	119	1	584577	95	NP
79605	120 - 3	1	579782	119	NP	584578	95	NP
79606	120	1	579782-1	119	1	584585	25 - 32	NP
79607	120 - 4	1	579782-2	119	1	584586	25	NP
79608	120	1	579782-3	119	1	584595	25	NP
79613	121	4	579782-4	119	1	594596	25	NP
	122 - 40		579782-5	119	1	584599	25	NP
	124 - 14		579782-6	119	1	584598	25	NP
79623	125	NP	579782-7	119	2	584599	25	NP
79623-1	125	NP	579782-8	119	1	584600	25	NP
79623-10	125 - 6	1	579783	119 - 22	NP	584601	24 - 15	NP
79623-30	125 - 7	1	579783-1	119	1	584601-610	24	1
79623-31	125	2	579783-2	119	1	584601-620	24	1
79641	121	NP	579783-3	119	1	584601-630	24	1
79642	121	NP	579783-4	119	1	584601-640	24	NP
79644	121 - 2	1	579783-5	119	1	584602	24	1
79645	121	NP	579783-6	119	1	584602-610	24	1
79646	121	NP	579783-7	119	1	584602-620	24	1
79647	121	4	579783-8	119	1	584602-630	24	1
79661	17	NP	579783-9	119	1	584602-640	24	1
	126		579784	119	NP	584603	25 - 24	NP
79662	17	NP	579784-1	119	1	584603	25	NP
	126		579784-2	119	1	584604	25 - 33	NP
79667	17 - 32	1	579784-3	119	1	584605	24	1
	126 - 25		579784-4	119	1	584605-10	24	NP
79668	17	1	579784-5	119	1	584606	24	NP
	126		579784-6	119	1	584627	24	NP
79669	126 - 26	NP	579784-7	119	1	584627-1	24	NP
79670	126	NP	579784-8	119	1	584631	25 - 22	NP
			579784-9	119	1	584632	25	NP
						584633	25 - 23	NP

RESTRICTED
AN 01-15EAA-4

Section III
Numerical Parts List

PART NUMBER	FIGURE & INDEX NUMBER	TOTAL QTY	PART NUMBER	FIGURE & INDEX NUMBER	TOTAL QTY	PART NUMBER	FIGURE & INDEX NUMBER	TOTAL QTY
584634	25	NP	586995	18 - 17	1	591090	147	NP
584635	24	NP	588500	1	1	591101	91	NP
584635-1	24	NP	588500-10	113	NP	591102	91	NP
584643	25 - 28	NP	588500-20	113	NP	591117	91	NP
584644	25	NP	588500-30	113	NP		95	
584645	19	NP	588500-40	113	NP	591131	91 - 58	1
584651	19 - 14	NP	588851	110 - 13	AR	591132	91	1
584651-1	19	1		111 - 14		591152	91 - 54	1
584652	19 - 1	NP		112 - 25		591157	91 - 57	1
584657	25 - 27	NP		112 - 31		591201	93	NP
584658	25	NP		113 - 1		591202	93	NP
584659	25	NP	588851-718	113	2	591231	92	NP
584660	25	NP	588855-10	113	NP	591231-10	92 - 47	1
584661	25 - 21	NP	588855-20	113	NP	591231-20	92 - 48	1
584662	25	NP	588855-30	113	NP	591301	95	NP
584664	25	NP	588855-40	113	NP	591301-10	95 - 16	1
584665	25 - 29	NP	588877	36 - 1	AR	591302	95	NP
584666	25	NP	588878	36	AR	591302-10	95	NP
584667	25 - 25	NP	588879	36	NP	591407	17	NP
584668	25	NP	588880	36	NP	591408	17	NP
584669	25 - 26	NP	588919	110 - 2	1	591501	95	NP
584670	25	NP	588920	110	1	591502	95	NP
584671	25	NP	588965	110 - 1	1	591525	95 - 2	1
584672	25	NP	588966	110	1	591526	95	1
584673	25 - 20	3	588971	109	NP	591533	95 - 6	1
584673-30	25	3		119		591534	95	1
584674	25	3	588972	109	NP	591601	98	NP
584674-30	25 - 11	3		119		591601-10	98	1
584675	25 - 35	NP	589010	106 - 21	AR	591601-20	98	1
584676	25	NP	590006-10	106	NP	591601-601	98	1
584707	25 - 30	NP	590006-20	106	NP	591602	98	NP
584708	25	NP	590007-10	106	NP	591602-10	98	1
584713	25 - 31	NP	590007-20	106	NP	591602-20	98	1
584713-10	25	1	590085	41	NP	591623	98 - 46	NP
584714	25	NP	590086	41	NP	591624	98	NP
584714-1)	25	1	590089	99	NP	591625	99	NP
584719	19	NP	590089-10	99 - 42	1	591625-10	99 - 43	4
584720	19	NP	590090	99	NP	591626	99	NP
584735	19	NP	590090-20	99	1	591626-10	99	4
584735-10	19	1	590210	41 - 19	AR	591627	98 - 47	NP
584736	19	NP	590500	90	NP	591628	98	NP
584736-10	19	1	590501	91	NP	591635-80	99 - 44	NP
584737	19	NP	590501-10	91 - 13	NP	591636-80	99	NP
584737-10	19	1	590502	91	NP	591637	99 - 45	NP
584738	19	NP	590502-10	91	1	591638	99	NP
584738-10	19	1	590701	91	NP	591639	99 - 46	NP
584739	24	NP	590702	91	NP	591640	99	NP
584739-1	24	NP	590710	91 - 17	2	591641	99 - 47	NP
584741	24	NP		95 - 20		591642	99	NP
584741-1	24	NP	590749	91 - 1	1	591703	99	NP
584747	24	NP	590750	91	1	591703-40	99	NP
584747-1	24	NP	590751	91 - 2	1	591703-50	99	NP
586529	18	NP	590752	91	1	591703-60	99	NP
586530	18	NP	590801	98	NP	591703-70	99	NP
586627	42 - 2	1	590801-10	98	1	591703-80	99 - 1	NP
586628	42 - 3	1	590801-20	98	1	591704	99	NP
586631	42 - 1	1	590801-601	98	1	591704-40	99	NP
586632	42	1	590802	98	NP	591704-50	99	NP
586634	42 - 14	1	590802-10	98	1	591704-60	99	NP
586635	42	NP	590802-20	98	1	591704-70	99	NP
586636	42	NP	590823	98	NP	591704-80	99	NP
586681	18	NP	590823-10	98 - 28	2	591805	30	NP
586681-602	18 - 21	1	590823-20	98 - 27	1	591805-20	30 - 19	1
586681-603	18	1	590824	98	NP	591813	147	NP
586682	18	NP	590824-20	98	1	591813-10	147 - 21	1
586682-602	18	1	590967	91	NP	591815	147	1
586693	42	NP		95		591816	147	1
586693-3	42	5	591000-10	105	NP	591817	147	1
586693-4	42	7	591000-20	105	NP	591819	148	NP
586693-5	42	6	591000-30	147	NP	591820	148	NP
586693-6	42	13	591000-50	147	NP	591901	95	NP
586693-7	42	1	591015-10	21	NP	591902	95	NP
586693-8	42	1	591015-20	147 - 11	NP	591921	95 - 61	1
586694	42	NP	591016-10	21	NP	591922	95	1
586709	42 - 33	1	591016-20	147	NP	591933	95	1
586724	42 - 10	1	591017	21 - 45	1	591934	95	1
586776	22 - 1	1	591018	21	1	591945	95 - 66	1
586783	17	NP	591019	147	1	591946	95	1
586784	17	NP	591020	147	1	592001	96	NP
586819	36 - 35	1	591021	21 - 44	1	592002	96	NP
586820	36	1	591022	21	1	592021	97	NP
586987	22	NP	591053	147	NP	592021-10	97 - 54	1
586987-1	22 - 12	4	591054	147	NP	592021-20	97 - 55	1
586988	22	NP	591079	148	NP	592051	99	NP
586989	42 - 17	1	591080	148	NP	592052	99	NP
586990	42	1	591089	147	NP	592101	99	NP

Section III
Numerical Parts List

RESTRICTED
AN 01-15EAA-4

PART NUMBER	FIGURE & INDEX NUMBER	TOTAL QTY	PART NUMBER	FIGURE & INDEX NUMBER	TOTAL QTY	PART NUMBER	FIGURE & INDEX NUMBER	TOTAL QTY
522102	99	NP	592560-10	17	1	594388	17	1
592113	99	NP	592575	103	NP	594389	17	1
592114	99	NP	592576	103	NP	594390	17	1
592117	99	NP	592585	17	NP	594391	17 - 1	1
592118	99	NP	592585-10	17 - 27	1	594392	17	1
592119	99	NP	592586	17	NP	594393	17	NP
592120	99	NP	592593	103 - 2	1	594393-100	17	1
592121	99	NP	592594	103	1	594394	17	NP
592122	99	NP	592595	103 - 3	1	594394-100	17	1
592123	99	NP	592596	103	1	594395	20	NP
592124	99	NP	592611	106 - 15	2	594396	20	NP
592125	99	NP	592671	106	3	594397	21 - 1	NP
592126	99	NP	592685	106 - 4	2	594398	21	NP
592127	99	NP	592701	106	NP	594399	33	NP
592128	99	NP	592702	106	NP	594400	33	NP
592129	99	NP	592703	106	NP	594447	33 - 1	4
592130	99	NP	592704	106	NP	594448	33	4
592131	99	NP	592727	106 - 1	1	594465	30	NP
592132	99	NP	592728	106	1	594465-80	30 - 1	1
592153	102 - 10	NP	592734	106 - 3	2	594466	30	1
592154	102	NP	592735	106 - 2	1	594466-80	30	NP
592161	102 - 7	NP	592736	106	1	594467	30	NP
592161-40	102 - 8	1	592736	106 - 6	1	594467-50	30 - 15	3
592162	102	NP	592978	106	1	594467-70	30 - 14	1
592162-40	102	1	592979	106	1	594468	30	NP
592200	99 - 16	1	593000	109	NP	594468-50	30	3
592201	100	NP	593001	110	NP	594468-70	30	1
592202	100	NP	593002	110	NP	594559	27 - 12	1
592207	99	NP	593005	111	NP	594560	27	1
592209	99	NP	593006	111	NP	594621	17	NP
592210	99	NP	593085	109	NP	594621-200	17 - 29	1
592212	99	NP	593086	109	NP	594622	17	NP
592269	100	NP	593086	119	1	594622-200	17	1
592269-10	100 - 1	1	593089	111 - 2	1	594671	21	NP
592270	100	NP	593090	111	1	594672	21	NP
592270-10	100 - 2	1	593093	109	NP	594681	15 - 1	1
592271	100	NP	593094	119	NP	594682	15	1
592271-10	100 - 3	1	593117	111 - 1	1	594726	17	NP
592272	100	NP	593118	111	1	594730	17	NP
592272-10	100 - 4	1	593123	111 - 22	4	594805	17	1
592273	100	NP	593125	110 - 27	4	594806	17	1
592273-10	100 - 5	1	594001	120 - 28	1	594807	17	1
592274	100	NP	594002	110 - 28	1	594808	17	NP
592274-10	100 - 6	1	594007	110 - 28	4	594871	30	1
592275	100	NP	594185	111 - 23	1	594871-70	30 - 16	1
592275-10	100 - 7	1	594186	120 - 29	1	594872	30	NP
592276	100	NP	594201	16 - 1	NP	594872-70	30	1
592276-10	100 - 8	1	594202	16	NP	595753	31 - 32	1
592285	99	1	594205	17	1	595754	31	1
592301	102	NP	594206	17	1	596113	81 - 32	NP
592302	102	NP	594237	17 - 31	1	596113-2	81	1
592303	102	NP	594238	17	NP	596113-4	81 - 43	1
592304	102	NP	594243	27 - 2	2	596167	21	NP
592355	102	NP	594257	16	1	596167-10	21 - 3	NP
592355-30	102 - 12	NP	594258	16	1	596168	21	NP
592356	102	NP	594268	27 - 1	1	596217	17	NP
592356-30	102	1	594273	31	NP	596217-10	17 - 36	NP
592357	102 - 13	NP	594276	31	NP	596233	21	NP
592358	102	NP	594277	31 - 8	1	596233-2	21 - 13	1
592501	103	NP	594278	31	1	596234	21	NP
592502	103	NP	594287	31 - 1	1	596234-2	21	1
592505	103	NP	594288	31 - 16	1	596687	30	1
592506	103	NP	594303	31	1	596687-10	30 - 17	1
592507	103 - 1	1	594304	31 - 12	1	596688	30	1
592508	103	1	594305	31	1	596688-10	30 - 2	1
592509	103 - 5	NP	594306	28	NP	596821	30	1
592510	103	NP	594340	28 - 1	1	596822	30	NP
592523	103 - 6	1	594341	28 - 4	1	597323	3	NP
592524	103	1	594342	16	1	597324	3	NP
592527	103	NP	594385	17 - 4	1	597383	3	NP
592528	103	NP	594387	17 - 4	1	597384	3	NP
592529	103 - 7	1				597399	15	NP
592530	103	1				597399-100	15 - 4	1
592531	103 - 8	1				597400	15	NP
592532	103	1				597400-100	15	1
592533	103 - 10	1				597419	159	NP
592534	103	1				597419-2	159 - 45	1
592535	103 - 12	1				597419-4	159 - 46	1
592536	103	1				597420	159	NP
592545	30	NP				597420-2	159	1
592546	30	NP				597420-4	159	1
592547	30 - 11	1				597575	3	NP
592548	30	1				597576	3	NP
592559	17	NP				597699	3 - 5	1
592559-10	17 - 9	1				597700	3	1
592560	17	NP				597753	5 - 9	1

RESTRICTED
AN 01-15EAA-4

Section III
Numerical Parts List

FIGURE & INDEX NUMBER	TOTAL QTY	PART NUMBER	FIGURE & INDEX NUMBER	TOTAL QTY	PART NUMBER	FIGURE & INDEX NUMBER	TOTAL QTY	
597754	5		666-3	135		68984	87	1
597757	5 - 12		666-4	53	119	68989	87 - 44	1
597758	5			54		68995	87 - 45	1
597847-1	15 - 5			57		69005	87 - 46	1
597847-3	15 - 6			63		69006	87 - 50	1
597847-4	15			60		69009	87 - 39	1
597848-1	15			79		69012	87 - 54	1
597899-1	15 - 2			134 - 20		69013	87 - 57	2
597899-3	15 - 3			138 - 7		69014	87 - 61	1
597899-4	15			139 - 7		69015	87 - 59	2
597900-1	15			132 - 28		69016	87 - 58	1
598-3	37			136 - 11		69017	87 - 62	1
	108 - 9			145		69022	87 - 66	1
599001	2 - 1			135 - 5		69023	87 - 68	1
599002	2			137 - 25		69024	87	1
599011	2		666-6	52	130	69026	87 - 69	1
599012	2			53		69027	87	1
599013	3			54		69029	87 - 72	1
599014	3			57		69030	87 - 71	2
599015	3 - 1			56			87 - 73	
599016	3			79		69034	87 - 79	4
599017	3			129 - 12		69035	87 - 80	4
599017-100	3			133 - 9		69036	87 - 76	8
599018	3			134 - 21		69037	87 - 77	5
599018-100	3			132 - 30		69038	87 - 78	2
599021	4			136 - 14		69039	87 - 81	1
599022	4			146		69040	87 - 83	2
599023	4		666-7	53	52	69041	87 - 84	2
599024	4			54		69045	83 - 56	1
599025	5			57		69050	82 - 49	2
599026	5			63		69051	82 - 48	2
599027	5 - 1			64		69060	82 - 41	1
599028	5		666-8	52	29	69061	82 - 42	1
599029	5			68		69063	82 - 24	1
599029-13	5 - 5			79	29	69064	82 - 23	2
599029-601	5 - 4			129 - 11		69065	82 - 22	1
599029-610	5 - 2		666-9	53	1	69068	82 - 20	1
599029-640	5 - 7		66891	84 - 20	4	69069	82 - 19	1
599029-650	5 - 8		66930	82 - 11	2	69070	82 - 18	2
599029-660	5		67UA190	49 - 15	2		82 - 39	
599029-9	5 - 6			49 - 10		69071	82 - 17	2
599030	5		67090	168 - 3	1	69072	82 - 16	1
599030-13	5		671K03	75 - 8	1	69073	82 - 15	2
599030-9	5		67258	87 - 47	5	69074	82 - 12	1
599031	5	NP		87 - 51		69075	82 - 10	2
599031-605	5 - 13		67372-1	56 - 14	4	69076	82 - 9	8
599032	5	NP	67373	56 - 7	4	69077	82 - 8	1
599035	6	NP	6755-306	76 - 58	4	69078	82 - 7	1
599036	6	NP	67665	83 - 47	16	69080	82 - 38	1
599037	6			87 - 56		69081	82 - 35	1
599038	6		67953	87 - 33	1	69082	82 - 34	1
599039	6 - 1		6840A-0	91 - 53	8	69083	82 - 33	2
599040	6			95 - 55		69089	82 - 32	1
6000	53		6871R	103	2	69090	82 - 31	1
6007-63A27B	76 - 13		68921	87 - 1	1	69091	82 - 30	1
6007-63A28B	76 - 12		68922	81 - 2	1	69093	82 - 29	1
6010	53		68923	88 - 1	1	69094	82 - 28	2
6041H21	8		68925	87 - 2	1	69099	82 - 27	1
6102	53		68926	87	1	69100	82 - 26	1
649	54 - 13		68928	87	1	69104	82 - 6	1
6508-3	19 - 58		68929	87 - 3	1	69105	82 - 71	1
6525R	103 - 4		68934	87 - 4	1	69109	82 - 5	1
651-8	79		68936	87 - 5	1	69111	83 - 55	1
65720	25 - 40		68938	87 - 6	1	69112	83 - 53	1
65759	56		68944	87 - 7	1	69115	83 - 52	1
6593R	99		68947	87 - 8	1	69116	83 - 51	2
66076	87 - 70		68949	87 - 9	1	69117	83 - 50	1
66129	168 - 7		68951	87 - 11	4	69118	83 - 49	1
66166-1	97 - 13		68953	87 - 13	4	69119	83 - 48	2
66345	108 - 1		68955	87 - 22	1	6912-4	91 - 22	6
66411	76 - 7		68956	87 - 18	4		95 - 24	
666-1	6	41	68957	87 - 20	2		147	
	54		68958	87 - 15	1	69120	83 - 45	1
	64		68959	87 - 1	1	69121	83 - 41	1
	68		68960	87 - 24	1	69123	83 - 40	1
666-10	145	17	68961	87	1	69128	83 - 12	2
	68		68963	87 - 28	1	6913-3	18 - 19	1
	79		68969	87 - 29	1	69133	83 - 10	12
666-3	52	94	68970	87 - 30	4	69134	83 - 9	1
	57		68971	87 - 31	4	69136	83 - 6	4
	63		68972	87 - 32	4		83 - 34	
	64		68973	87 - 25	1	69137	83 - 5	1
	145		68975	87 - 35	1	69144	83 - 4	1
	129 - 13		68980	87 - 36	1	69145	83 - 3	1
	133 - 7		68981	87 - 37	1	69147	83 - 2	1
	146		68982	87 - 38	1	69148	82 - 3	1
			68983	87	1			

Section III
Numerical Parts List

RESTRICTED
AN 01-15EAA-4

PART NUMBER	FIGURE & INDEX NUMBER	TOTAL QTY	PART NUMBER	FIGURE & INDEX NUMBER	TOTAL QTY	PART NUMBER	FIGURE & INDEX NUMBER	TOTAL QTY
69148	83 - 1		69343	82 - 62	1	8DJ2LBT	76 - 44	1
69150	83 - 25	1	69347	82 - 68	1	8DJ20ACR	76 - 19	1
69151	83 - 23	1	69350	82 - 79	4	8DJ29ABC	76	1
69152	83 - 23	3	69364	82 - 81	1	8DJ29ABE	76	1
69153	81 - 16	3	69365	82 - 80	1	8KB2AC1	77 - 6	2
	83 - 22		69421	84 - 11	1	8KCIAC1	77 - 12	3
69154	81 - 17	3	69424	84 - 12	1	8KJ29ABD	76	1
	83 - 21		69425	84 - 13	1	8TJ17AFD	106 - 18	1
69155	81 - 15	3	69426	84 - 14	1	8TJ17AFE	106 - 19	1
	83 - 19		69619	82 - 76	1	8TJ17AFF	106 - 20	2
69156	83 - 18	2	6962-197	76 - 18	2	8TJ18LAK	111 - 7	1
69157	83 - 17	4	69621	82 - 84	1	8TJ18LAL	110 - 7	1
69158	83 - 16	2	69625	82 - 88	2		120 - 24	
69159	83 - 16	2	69628	82 - 75	1	8TJ18LAM	112 - 10	1
69160	83 - 15	2	69936	84 - 17	2	8TJ18LAZ	123 - 10	1
69161	83 - 14	2	69937	84 - 16	2	8TJ18LBA	122 - 12	1
69166	83 - 13	1	69938	84 - 18	4	8TJ19AAR	161 - 5	4
69167	83 - 39	1	7-3143-1	38 - 19	2	8TS18LAK	120 - 25	1
69168	83 - 37	2	7B8478	94 - 1	1	8TS18LBB	124 - 6	1
69169	83 - 36	1	7HVE2B1	107 - 12	4	8T1150-20	118 - 4	4
69172	83 - 35	1	70B103-399	33	1	8T1150B3	118 - 5	4
69174	83 - 33	1	70B104-63	29	1	8T500-2	24 - 30	6
69176	83 - 32	1	70B145-111	61	1		63 - 15	
69188	83 - 31	1	70G151	53 - 2	1	82R101-1140	80 - 16	1
69189	83 - 30	1	70G159	53 - 5	1	82R101-1690	31	2
69190	82 - 4	2	70G241	63 - 17	1	82R101-1955	31	2
	83 - 29		70G271	24 - 37	4	82R101-512	69 - 20	1
69191	82 - 2	1		24 - 41		82R101-738	69 - 19	1
69192	81 - 8	2	70G77	53 - 4	1	82R102-11.85	86 - 94	1
69193	81 - 6	1	70G81	53 - 3	2	82R213-555	31	2
69194	81 - 5	1	7064	24	3	82495	168 - 2	4
69195	81 - 19	3	71308	147 - 41	1	8401	36 - 18	1
	88 - 30		71710	92 - 33	1	8422	36 - 5	4
69196	81 - 18	2	72010	52	1	8464	169	4
	88 - 29		7220-24	24	1	888K3	137 - 25	1
69200	81 - 14	1	7220B24	24	2	8916K657	56 - 9	1
69202	81 - 13	1	735-4-2-6	8	2	895-100S	37 - 13	8
69204	81 - 12	1	739BU03	75 - 9	2	9-10762	152 - 23	1
69205	81 - 4	1		77 - 11		9JY16AAZ	40 - 9	4
69206	81 - 3	1	744119-1	147	1	90P104	61	11
69207	88 - 31	1	744119-2	147	1	901244K1	82 - 40	1
69208	88 - 24	1	744119-3	147	1	901262K1	81 - 7	1
69210	88 - 25	1	748-8	13	1	90208	42 - 34	2
69212	88 - 12	1	750-10-2-8	92	2		66 - 21	
69213	88 - 21	1		97 - 37		9030	108 - 15	2
69216	88 - 19	1	755-10-2-6	78 - 11	4	90500	18 - 3	2
69217	88 - 18	1	755-12-2-8	49	1	9054-4	114 - 18	4
69218	88 - 17	1	755-22-2-8	62 - 12	1	907145	83 - 46	16
69220	88 - 14	1	755-24-2-10	113	43		87 - 55	
69221	88 - 12	1	755-24-2-8	62 - 11	4	91077	18 - 1	2
69223	88 - 10	1	755-31-4-10	38	4	91234-5	43 - 9	1
69224	88 - 8	1	755-32-2-8	9 - 11	12	9172369	94 - 3	1
69226	88 - 7	1		112		922315	168 - 21	2
69228	88 - 6	1	755-4-2-6	8	46	9300	53	3
69230	88 - 5	1		38 - 21		9300-100B	55 - 5	1
69231	88 - 4	2		49		930423	168 - 16	5
69233	88 - 3	1	755-4-26	8	1	9505H1	19 - 18	1
69234	88 - 2	1		113		9540102	81 - 27	2
69254	82 - 85	2	755-6-2-6	19	8	9540133	81 - 24	2
69255	88 - 28	1	755-6-2-8	113	15	9540188	81 - 26	2
69278	84	1	755-8-2-8	13	3	9565H1	40 - 15	6
69279	84 - 10	1		49		9565H12	8	3
69280	84 - 41	1	76AT3BC	76 - 52	4	9565H12A	19	3
69281	84 - 42	1	766-6C	41	2	9565H2	25	2
69283	84 - 44	1	770-12C	41	2	9565H24	25	2
69284	84 - 45	1	770-16C	41	6	9565H35	24	4
69292	84 - 21	1	783-2-4	36	1	9565H40	24	2
69296	84 - 22	1	784-2-10	78 - 12	4	9565H5	25 - 15	22
69302	84 - 23	2	787-1-4	36	2	9565H5	8	23
69305	84 - 24	4	79S12	155	4	9565H6	8	3
69306	84 - 25	4	8AW43A343	53	2	9565H8	25	
69307	84 - 26	4	8AW43Z341	53 - 17	4		68 - 5	
69308	84 - 27	4	8AW43Z342	53 - 19	3	96	89 - 24	1
69309	84 - 29	4	8AW43Z344	53 - 18	3	966090	168 - 18	2
69310	84 - 28	4	8CRE622	155	8	966116	168 - 20	5
69311	84 - 30	1	8DJ11PFC	77 - 8	1	966129	168 - 19	2
69312	84 - 31	1	8DJ17ABL	56 - 13	1	966679	168 - 17	3
69313	84 - 32	1	8DJ17ABM	56 - 12	1	96734	91 - 19	14
69315	82 - 51	2	8DJ2LBA	76 - 46	1		95 - 22	
69318	84 - 35	4	8DJ2LBL	76 - 3	1	97:0:50	170 - 9	4
69321	84 - 38	2		76 - 45		980A	156 - 31	2
69329	82 - 1	1	8DJ2LBM	76 - 5	1	981	156 - 32	2
69330	82 - 47	2		76 - 48		982311	168 - 6	4
69331	82 - 58	1	8DJ2LBM	76 - 4	1	97785-2	5	51
69332	82 - 59	1	8DJ2LBR	76 - 47	1	99840-1-090	5	34
69340	82 - 67	1	8DJ2LBS	76 - 49	1	99840-2-090	5	14
						99871C098	5	34
						99900-1-100	5	3

RESTRICTED