

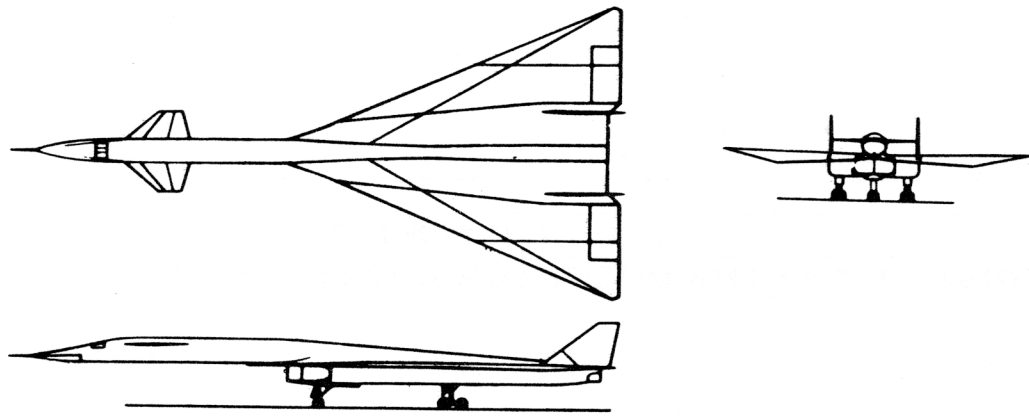
H1
(X) B-70A char

Unclassified
~~CONFIDENTIAL~~

EXPERIMENTAL

Characteristics Summary

BOMBER (SUPERSONIC) XB-70A Air Vehicle Nr 2



VALKYRIE **NORTH AMERICAN**

Wing Area 6297 sq ft. Length 185.8 ft.
 Span 105.0 ft. Height 30.7 ft.

AVAILABILITY			PROCUREMENT			
Number available			Number to be delivered in fiscal years			
TEST	INVENTORY	TOTAL	FY 65			
			1			

STATUS			
1. Design Initiated:	Nov 55	4. Primary purpose of the vehicle is to	demonstrate airworthiness in a sustained
2. Mock-up	Mar 59	3. First Flight, Air Vehicle Nr 2	Jul 65
		Mach 3 high altitude environment.	

POWER PLANT			
(6) YJ93-GE-3			
General Electric			
S.L.S.	LB	-RPM	- MIN
Max:	*28,000	-6825	- Cont
Mil:	19,900	-6825	- Cont
Nor:	17,700	-6825	- Cont
*With afterburner			

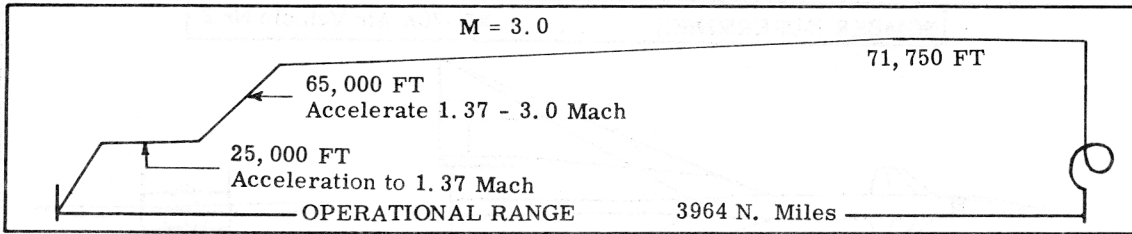
FEATURES	
Crew	2
Canard	
Airframe constructed from steel and titanium	
Variable area inlet	
Convergent-divergent exhaust nozzle	
Folding wing tips	
ILS	AN/ARN-58
IFF radar	AN/APX-46
UHF command	AN/ARC-50
Interphone	AN/AIC-18
TACAN	AN/ARN-65
Max fuel capacity: 47,470 gal	
Grade	JP-6

SPECIAL STORES
NOT APPLICABLE

DOWNGRADED AT 3 YEAR INTERVALS;
DECLASSIFIED AFTER 12 YEARS
DOD DIR 5200.10

Classification cancelled or changed to *Unclassified* by *ATH 49507W/SP* dated *25 Aug 71* AUTH: *By Ewan M. White, GS9, 3/9/76* Signature and Grade

Characteristics Summary Basic Mission . XB-70A Air Vehicle Nr 2



P E R F O R M A N C E		
C O M B A T R A D I U S	O P E R A T I N G R A N G E	S P E E D
NOT APPLICABLE	4009 naut. mi with 44,439 gal fuel at knots avg. in 3.15 hours at 542,029 lb T.O. wt.	MAX 1721 knots at 65,000 - 71,750 ft alt, Min A/B power
C L I M B	C R O I S I N G	T A K E - O F F
6830 fpm sea level, take-off weight military power	76,950 ft 100 fpm, combat weight max. power	ground run 8100 ft no assist _____ ft assisted
30,350 fpm sea level, combat weight maximum power	76,750 ft 500 fpm, combat weight maximum power	over 50 ft height 11,500 ft no assist _____ ft assisted
L O A D	W E I G H T S	M I N . S A F E S P E E D
Fuel: 44,439 gal protected % droppable % external % Density: JP-6 lb/gal (6.55)	Empty..... 230,876 lb Combat... 313,086 lb Take - off 542,029 lb	163.4 Knots - T. O. Wt 113.0 knots - Landing Wt
		T I M E T O C L I M B

N O T E S

1. Performance Basis:
 (a) Based on actual weight of air vehicle. Flight test instrumentation & instrumentation package not included.
 (b) 313,086 lbs is the weight 1200 n. miles prior to mission completion.
 Revision Basis: To reflect latest characteristics and performance based on actual vehicle weight.